

US00D599728S

(12) **United States Design Patent**  
**Froger et al.**

(10) **Patent No.:** **US D599,728 S**

(45) **Date of Patent:** **\*\* Sep. 8, 2009**

(54) **TIRE**

(75) Inventors: **Nicolas Claude Jean-Claude Froger**,  
Arlon (BE); **Sebastien Willy Fontaine**,  
Oberfeulen (LU); **William Urbano**  
**Villamizar**, Mersch (LU); **Bernard Jean**  
**Francois Croissant**, Bastogne (BE)

(73) Assignee: **The Goodyear Tire & Rubber**  
**Company**, Akron, OH (US)

(\*\*) Term: **14 Years**

(21) Appl. No.: **29/334,992**

(22) Filed: **Apr. 7, 2009**

(51) **LOC (9) Cl.** ..... **12-15**

(52) **U.S. Cl.** ..... **D12/521**

(58) **Field of Classification Search** ..... D12/505-509,  
D12/515-532, 900-901; 152/209.1, 209.8-209.18,  
152/209.25-209.28, 455  
See application file for complete search history.

(56) **References Cited**

**U.S. PATENT DOCUMENTS**

|            |         |                |       |         |
|------------|---------|----------------|-------|---------|
| D432,956 S | 10/2000 | Ricquet        | ..... | D12/141 |
| D432,957 S | 10/2000 | Ricquet        | ..... | D12/141 |
| D490,045 S | 5/2004  | Delu et al.    | ..... | D12/519 |
| D490,047 S | 5/2004  | Heinen et al.  | ..... | D12/524 |
| D490,048 S | 5/2004  | Heinen et al.  | ..... | D12/524 |
| D490,049 S | 5/2004  | Heinen et al.  | ..... | D12/524 |
| D502,441 S | 3/2005  | Lo             | ..... | D12/521 |
| D512,013 S | 11/2005 | Delu et al.    | ..... | D12/521 |
| D515,021 S | 2/2006  | Delu et al.    | ..... | D12/524 |
| D522,442 S | 6/2006  | Shirouzu       | ..... | D12/515 |
| D524,231 S | 7/2006  | Marazzi et al. | ..... | D12/521 |
| D524,232 S | 7/2006  | Heinen et al.  | ..... | D12/521 |
| D524,233 S | 7/2006  | Marazzi et al. | ..... | D12/521 |
| D524,235 S | 7/2006  | Marazzi et al. | ..... | D12/523 |
| D524,236 S | 7/2006  | Marazzi et al. | ..... | D12/524 |
| D525,186 S | 7/2006  | Martin         | ..... | D12/521 |
| D531,108 S | 10/2006 | Marazzi et al. | ..... | D12/523 |

|            |           |                  |       |         |
|------------|-----------|------------------|-------|---------|
| D533,133 S | 12/2006   | Heinen et al.    | ..... | D12/590 |
| D545,756 S | * 7/2007  | Feider et al.    | ..... | D12/521 |
| D551,156 S | 9/2007    | Shinohara et al. | ..... | D12/521 |
| D558,128 S | 12/2007   | Delu et al.      | ..... | D12/521 |
| D560,595 S | 1/2008    | Bindner et al.   | ..... | D12/521 |
| D579,855 S | 11/2008   | Fontaine et al.  | ..... | D12/521 |
| D581,347 S | * 11/2008 | Feider et al.    | ..... | D12/523 |
| D586,726 S | * 2/2009  | Baumard et al.   | ..... | D12/521 |

\* cited by examiner

*Primary Examiner*—Stacia Cadmus

(74) *Attorney, Agent, or Firm*—Richard B. O’Planick

(57) **CLAIM**

The ornamental design for a tire, as shown and described.

**DESCRIPTION**

FIG. 1 is a perspective view of a tire showing our new design, it being understood that the pattern repeats uniformly throughout the circumference of the tread;

FIG. 2 is a front elevational view thereof;

FIG. 3 is a right side elevational view thereof;

FIG. 4 is a left side elevational view thereof;

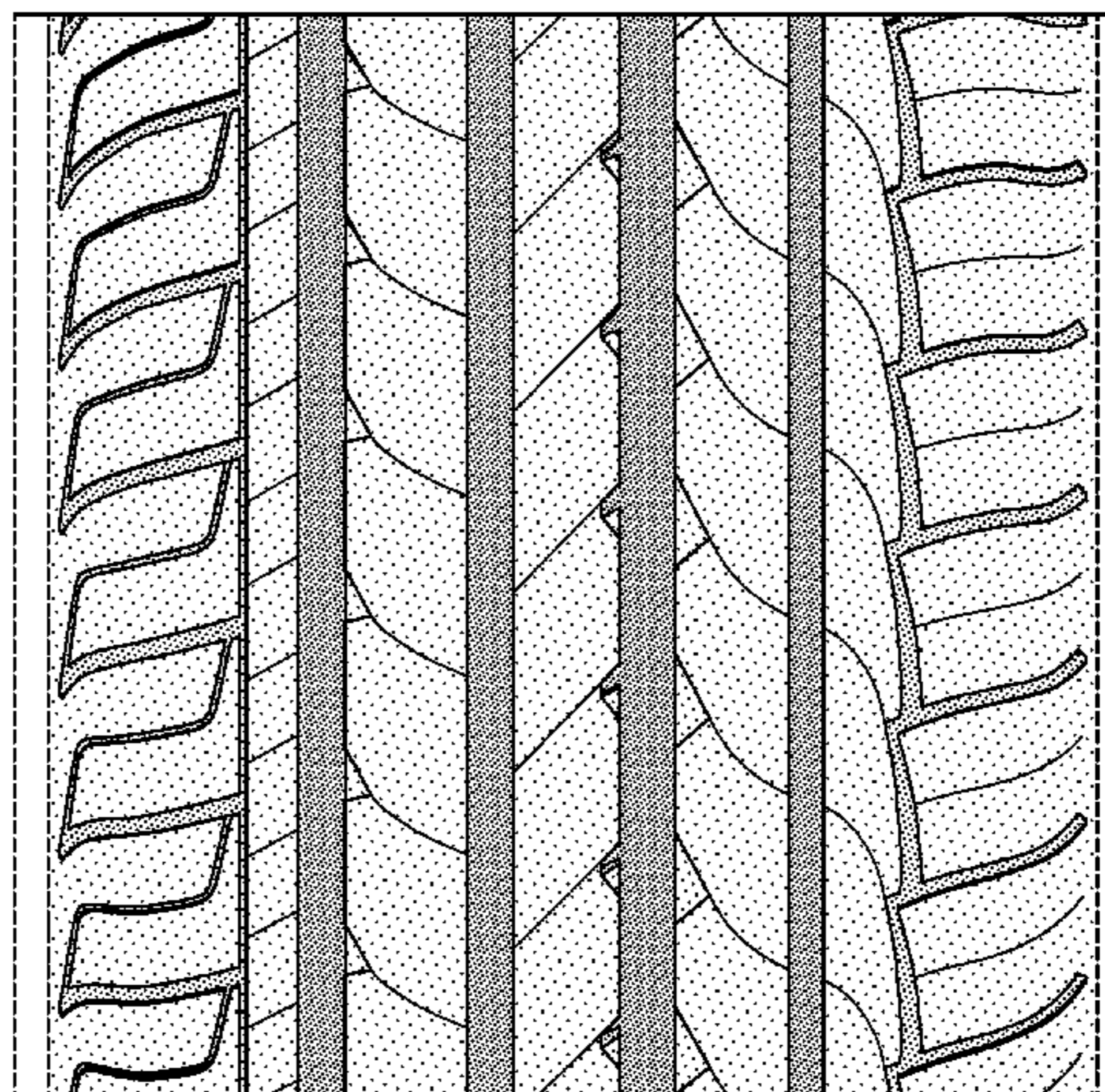
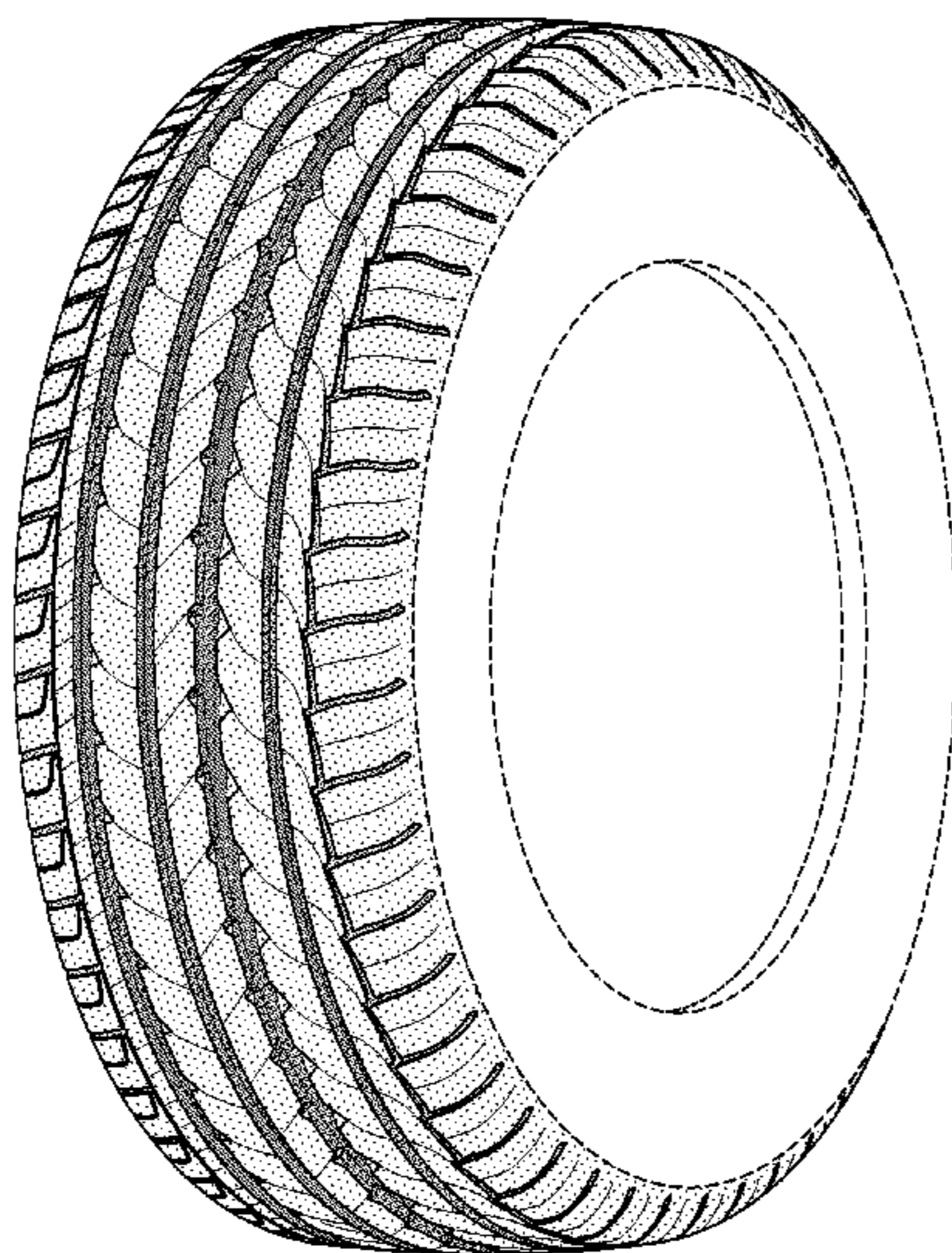
FIG. 5 is an enlarged fragmentary front elevational view thereof;

FIG. 6 is a perspective view of a second embodiment of a tire showing our new design, it being understood that the pattern repeats uniformly throughout the circumference of the tread; and,

FIG. 7 is a front elevational view of a second embodiment, it being understood that an enlarged fragmentary view thereof would be substantially identical to that shown in FIG. 5, with the exception of the inclusion of the sidewall in solid lines.

In the drawings, the broken lines showing of the sidewall, inner bead and the peripheral boundary between the tire tread and the sidewall in FIGS. 1 through 5 depict environmental subject matter and form no part of the claimed design.

**1 Claim, 7 Drawing Sheets**



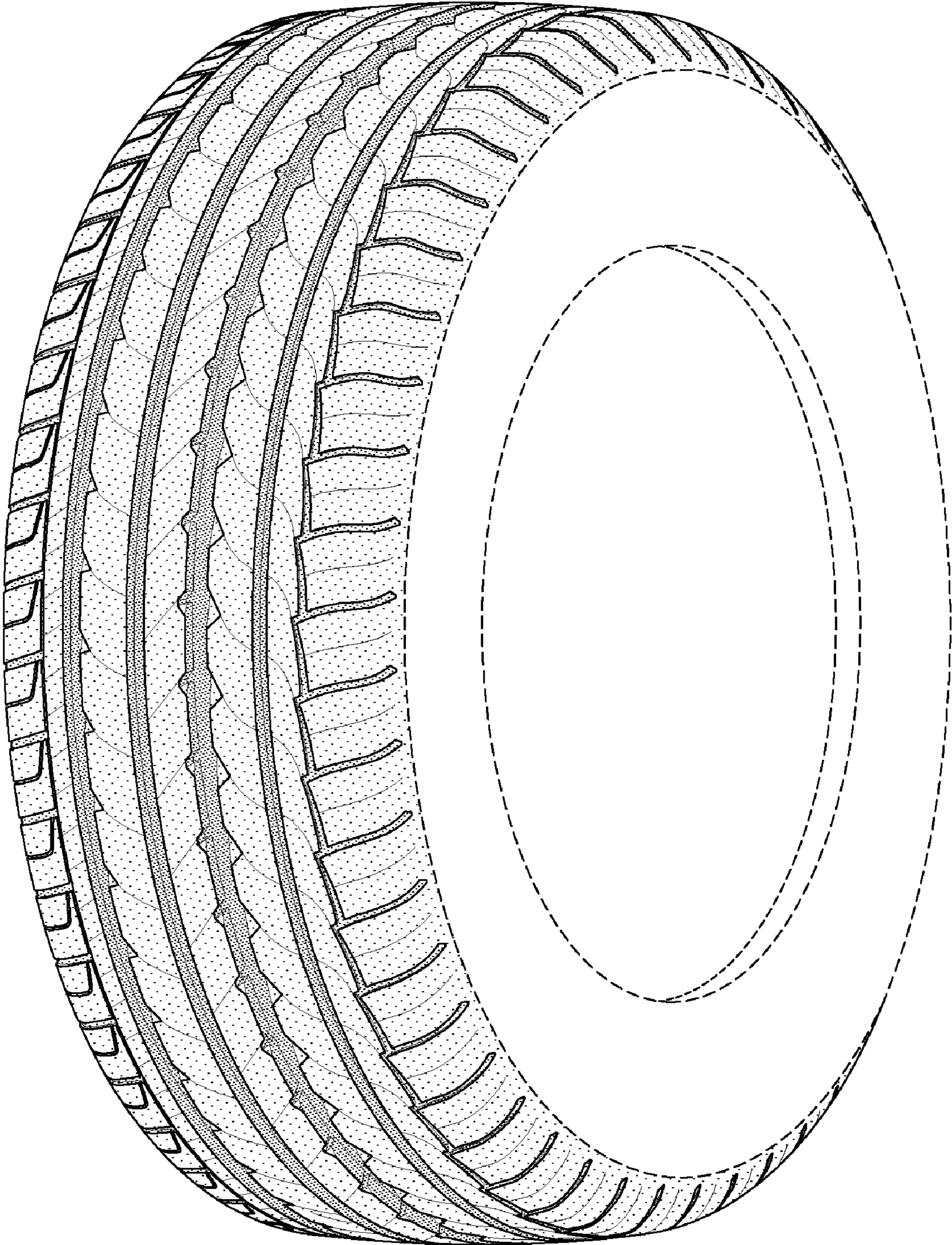


FIG-1

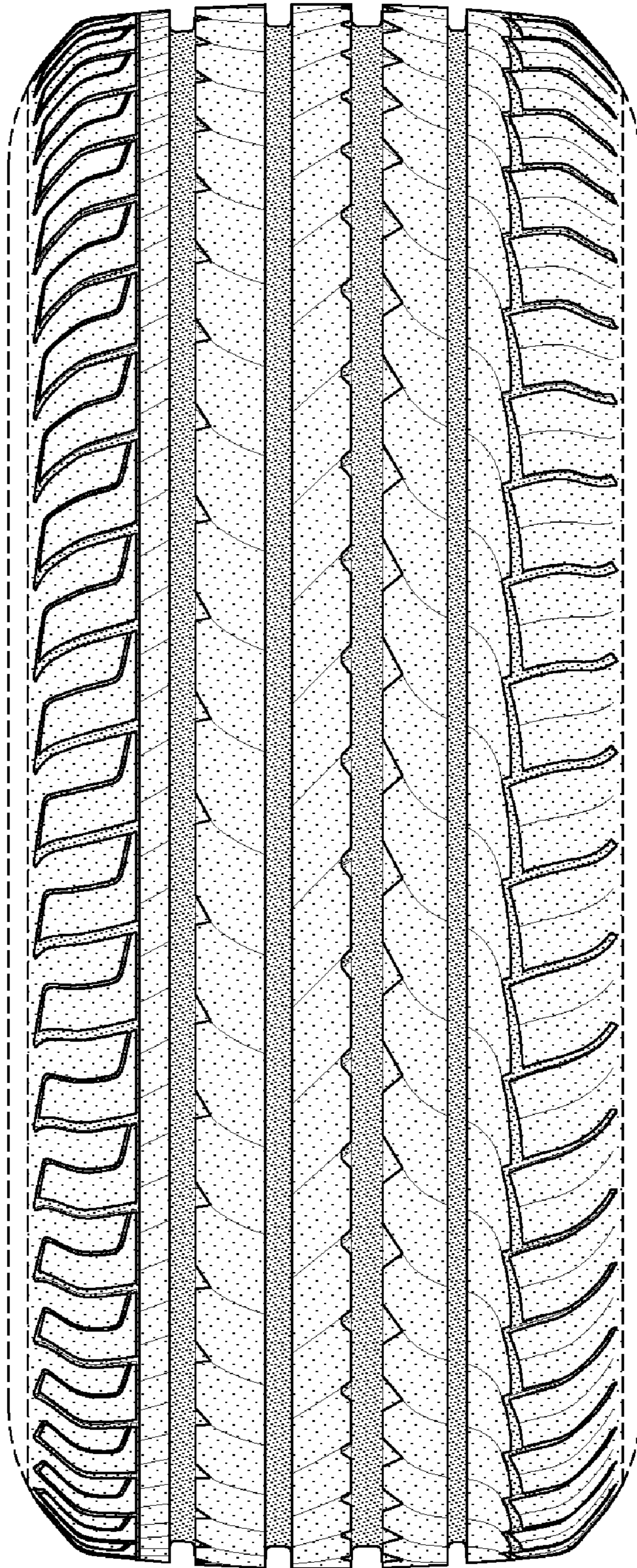


FIG-2

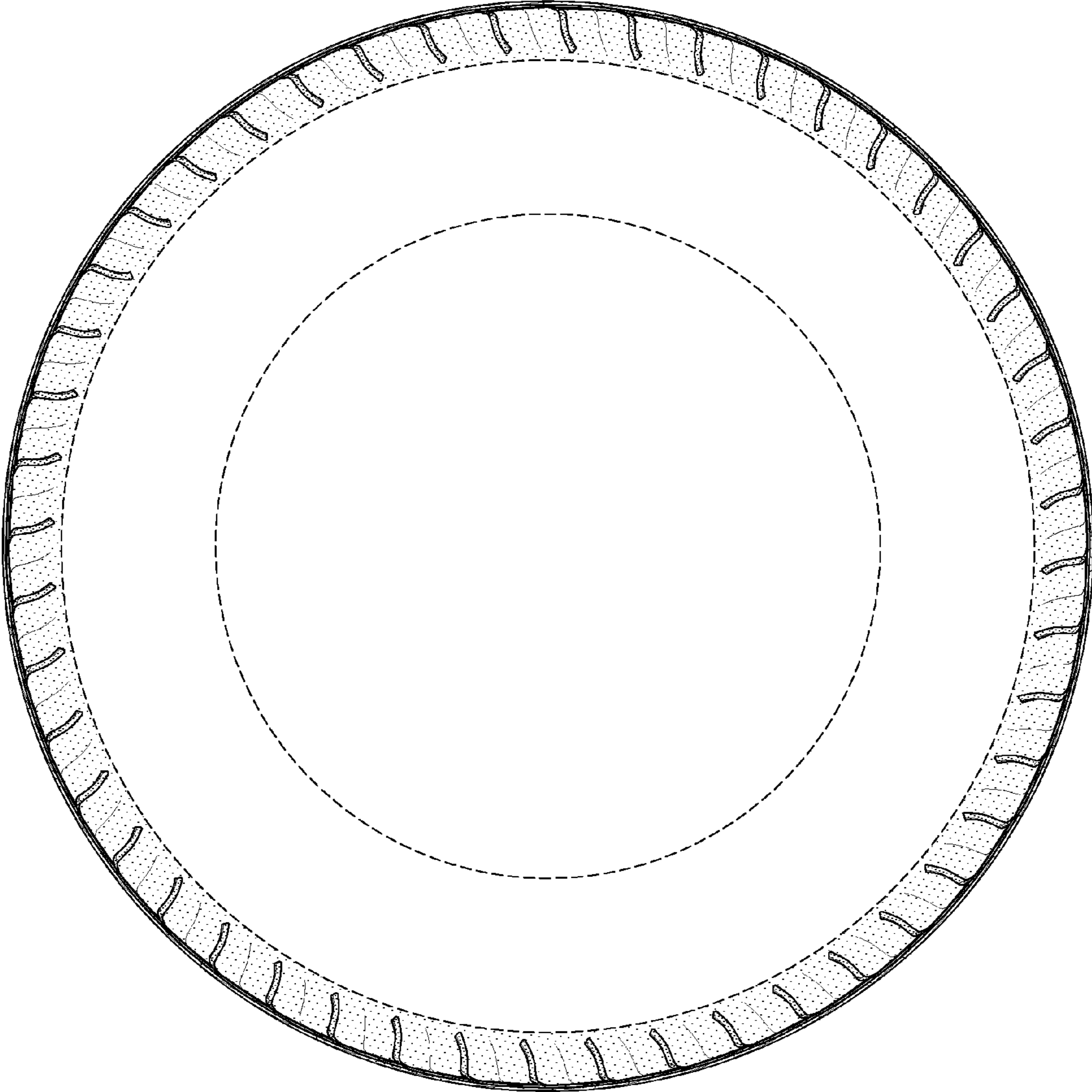


FIG-3

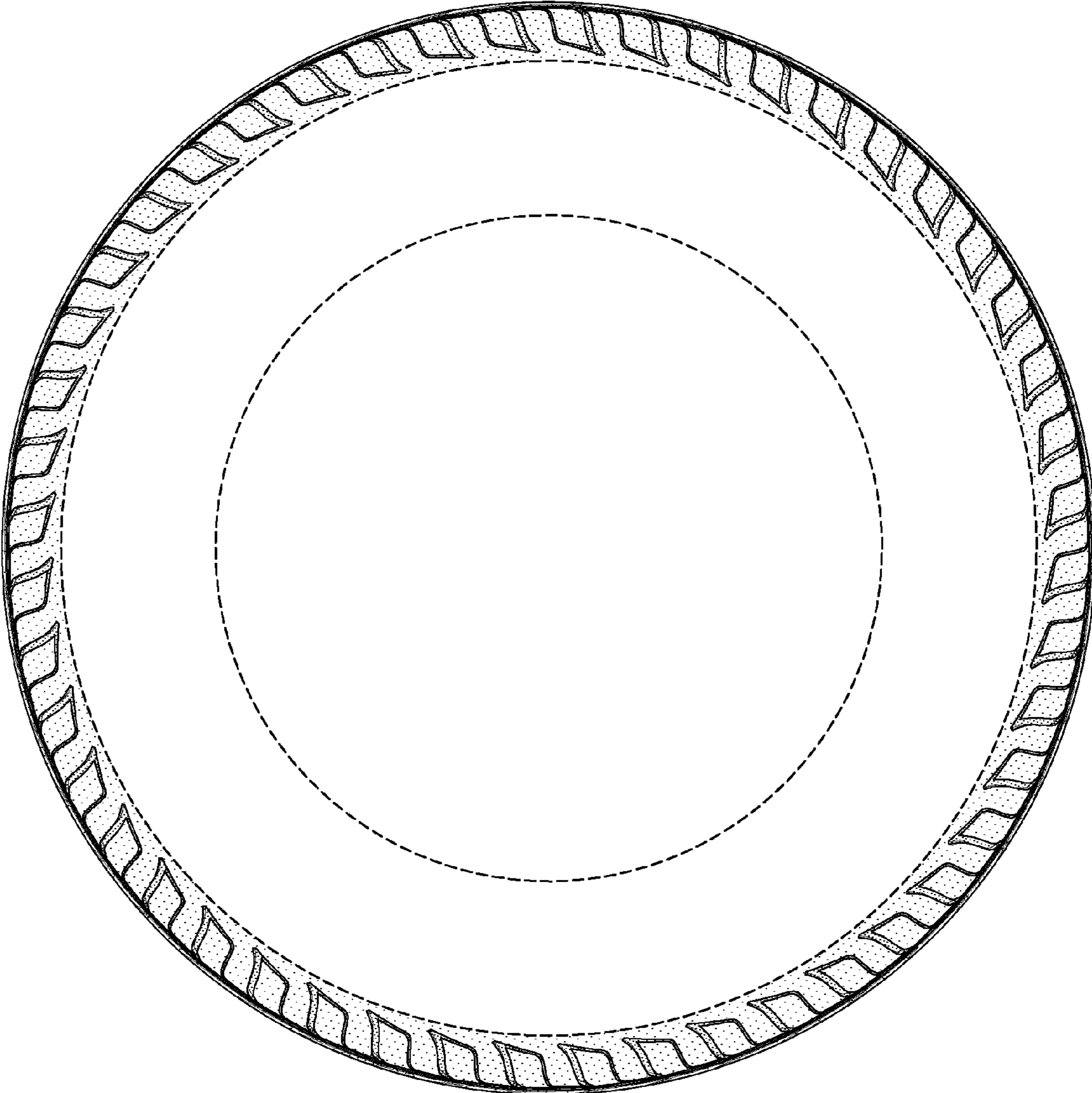


FIG-4

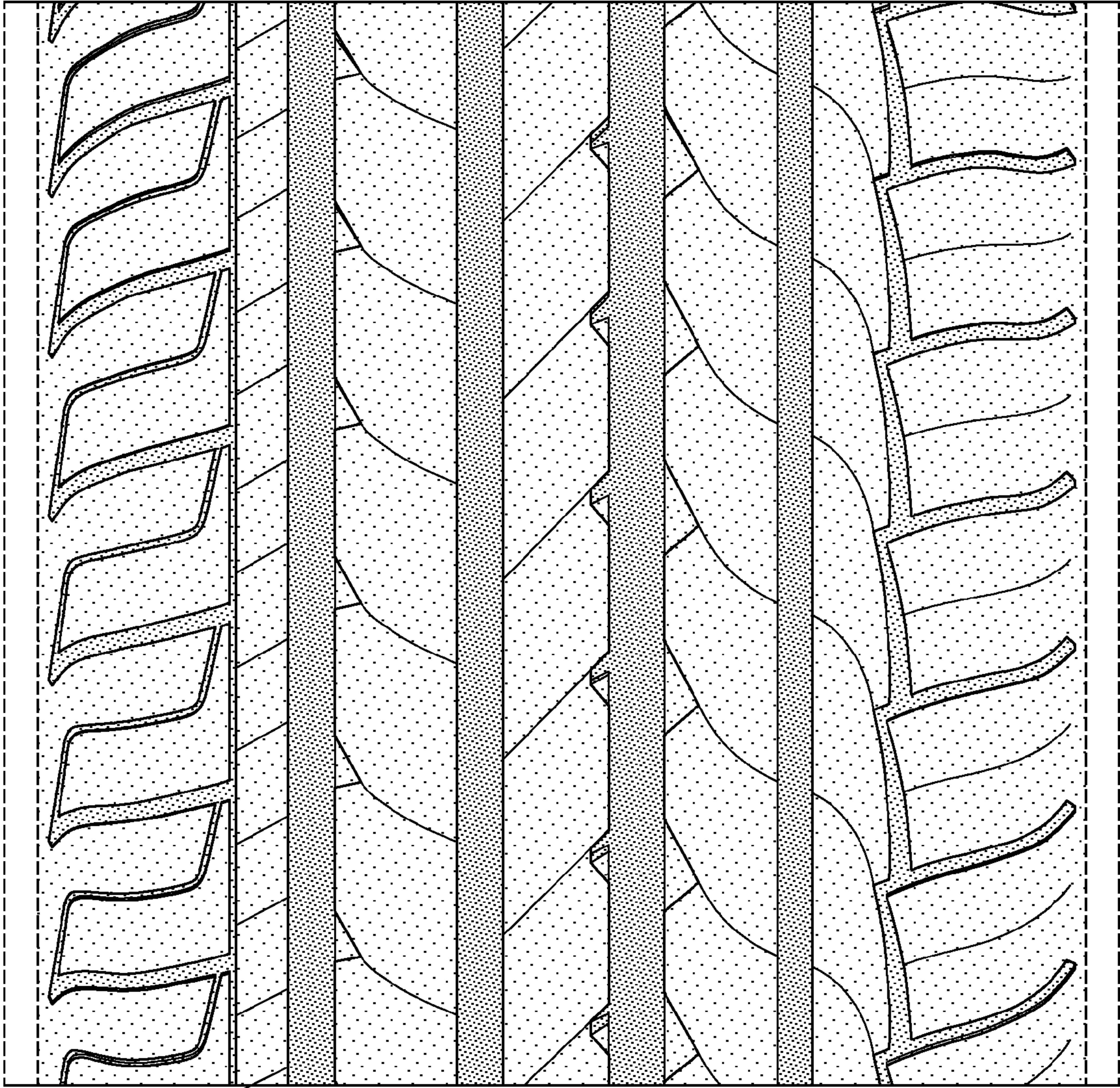


FIG-5

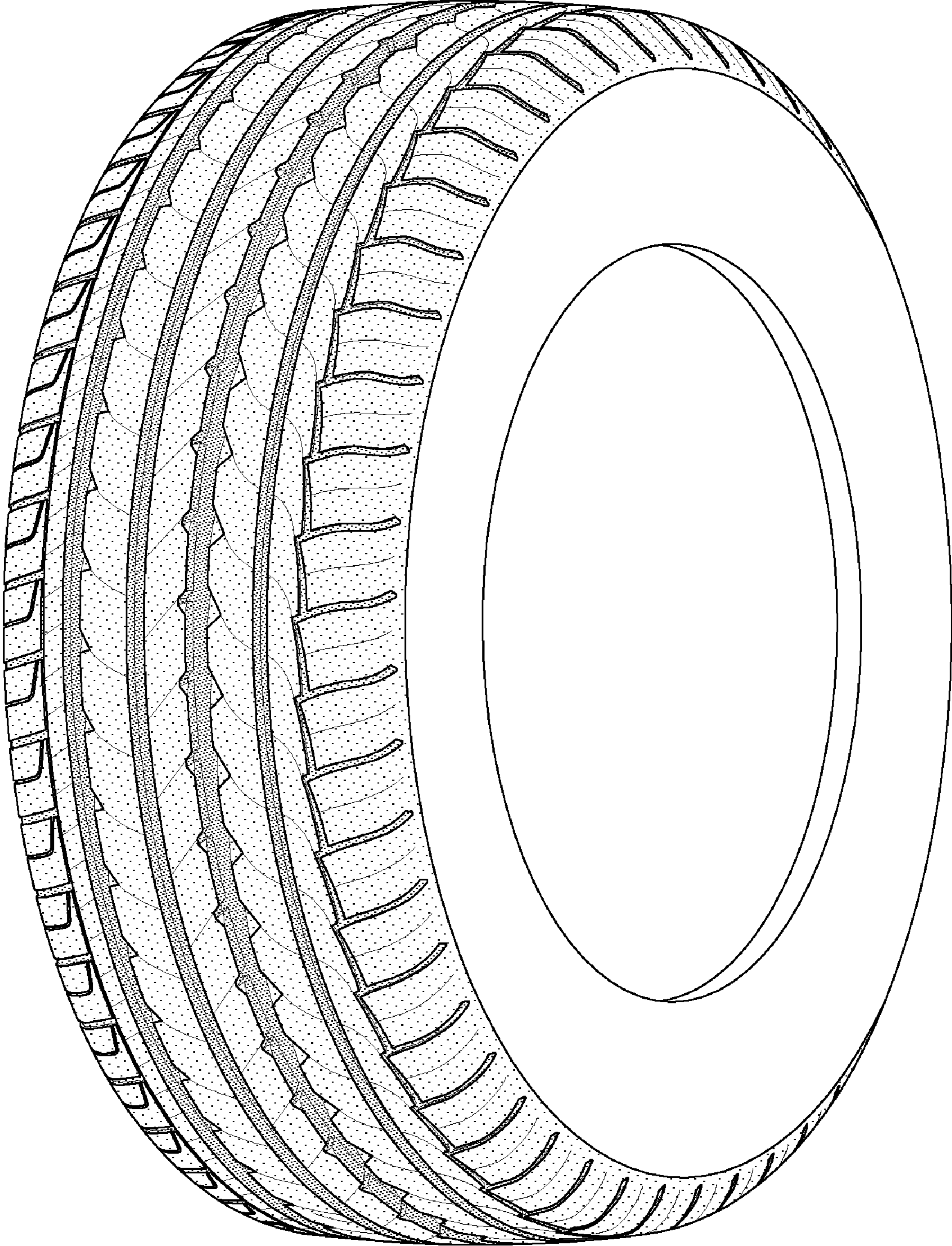


FIG-6

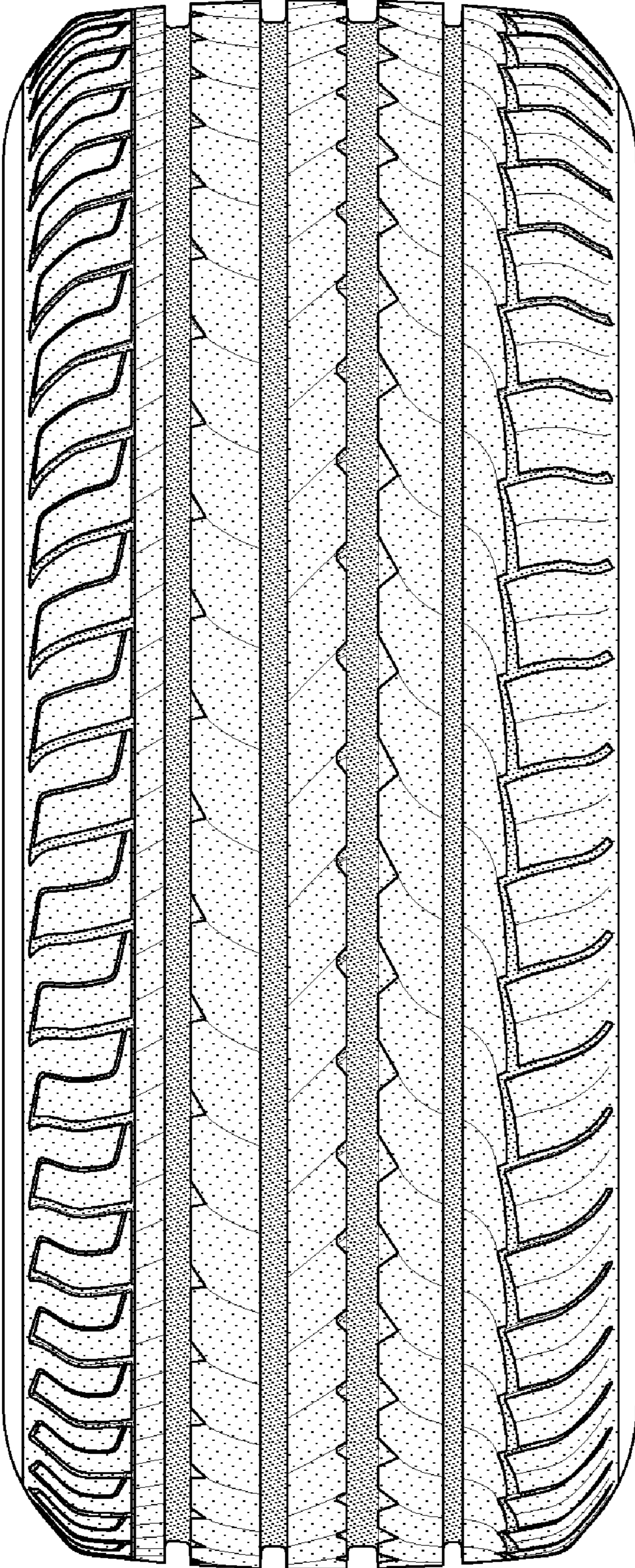


FIG-7