



US00D599726S

(12) **United States Design Patent**
Pacleb

(10) **Patent No.:** **US D599,726 S**

(45) **Date of Patent:** **** Sep. 8, 2009**

(54) **SIDE INSERT LICENSE PLATE HOLDER WITH LIFTERS**

(76) Inventor: **Jesus Pacleb**, 4020 Utah St., #7, San Diego, CA (US) 92104

(**) Term: **14 Years**

(21) Appl. No.: **29/331,564**

(22) Filed: **Jan. 28, 2009**

(51) **LOC (9) Cl.** **12-16**

(52) **U.S. Cl.** **D12/193**

(58) **Field of Classification Search** D12/193;
D20/42; 40/209, 201, 200; 362/497; 340/436;
248/488

See application file for complete search history.

(56) **References Cited**

U.S. PATENT DOCUMENTS

D182,783 S *	5/1958	Audette	D12/193
D281,490 S *	11/1985	Lien	D12/193
D285,784 S *	9/1986	Langensiepen	D12/193
D367,459 S *	2/1996	Spencer	D12/193
D412,307 S *	7/1999	Hartmann et al.	D12/193
D437,816 S *	2/2001	Hussaini et al.	D12/193
D516,483 S *	3/2006	Eidsmore	D12/193
D545,259 S *	6/2007	Stahel et al.	D12/193
D566,023 S *	4/2008	Pacleb	D12/193
D566,024 S *	4/2008	Pacleb	D12/193
D578,049 S *	10/2008	Son	D12/193
D590,311 S *	4/2009	Pacleb	D12/193

* cited by examiner

Primary Examiner—Cathron C Brooks

Assistant Examiner—Austin Murphy

(74) *Attorney, Agent, or Firm*—Lisel M. Ferguson; Procopio, Cory, Hargreaves & Savitch, LLP

(57) **CLAIM**

The ornamental design for a side insert license plate holder with lifters, as shown and described.

DESCRIPTION

FIG. 1 is a front perspective view of the side insert license plate holder with lifters showing my new design;

FIG. 2 is a front perspective view of the side insert license plate holder with lifters with a clear cover shield shown separately for completeness of illustration;

FIG. 3 is a back view thereof;

FIG. 4 is the top view thereof;

FIG. 5 is a side view thereof;

FIG. 6 is a front perspective view of the clear protecting shield which fits into the side insert license plate holder with lifters;

FIG. 7 is a side view of FIG. 6;

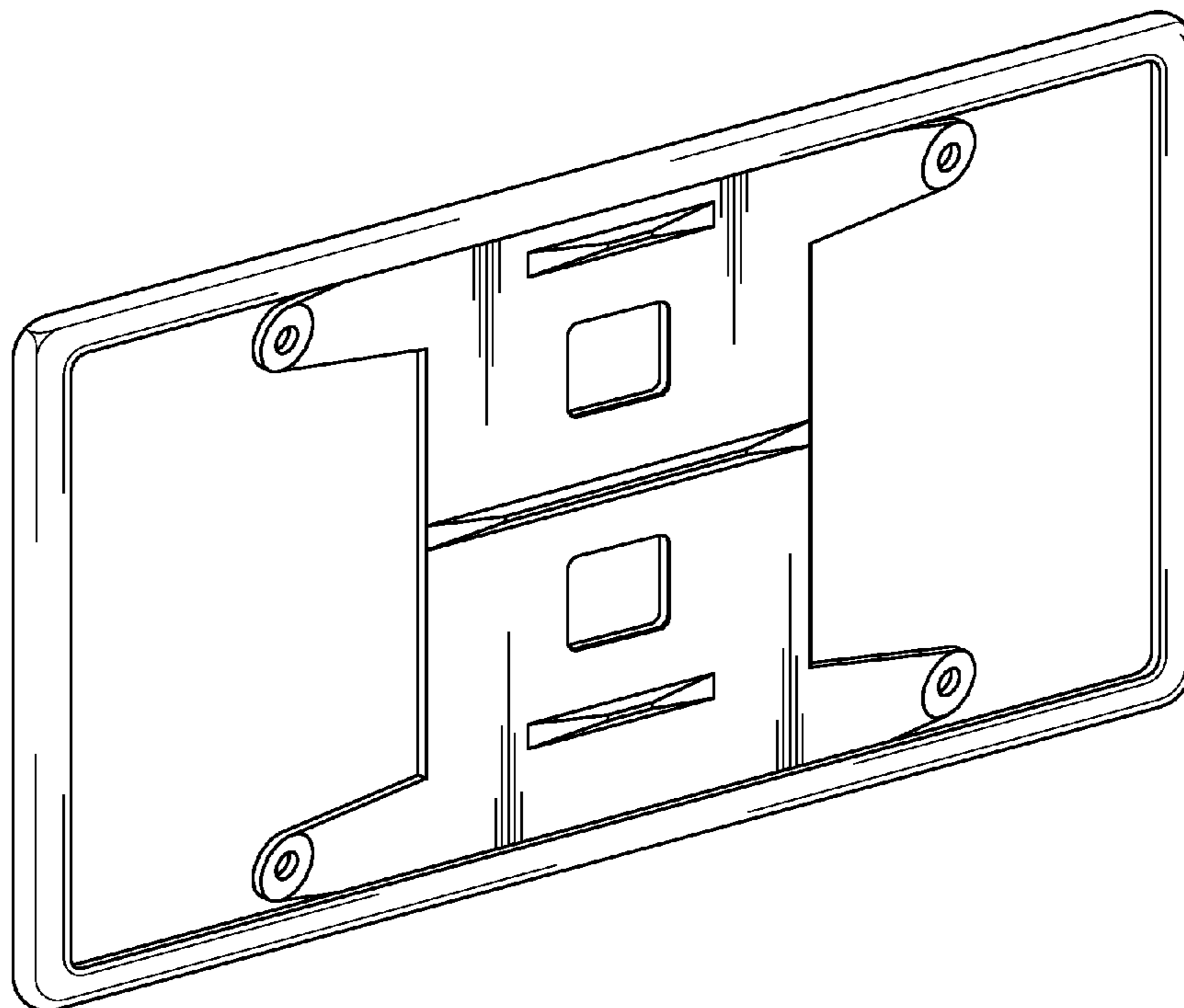
FIG. 8 is a top view of FIG. 6;

FIG. 9 is an enlarged partial cross-sectional view of FIG. 7;

FIG. 10 is a cross-sectional view of the side of the side insert license plate holder with lifters taken along line 10—10 in FIGS. 1 and 2; and,

FIG. 11 is a cross-sectional view taken along line 11—11 of FIG. 3.

1 Claim, 4 Drawing Sheets



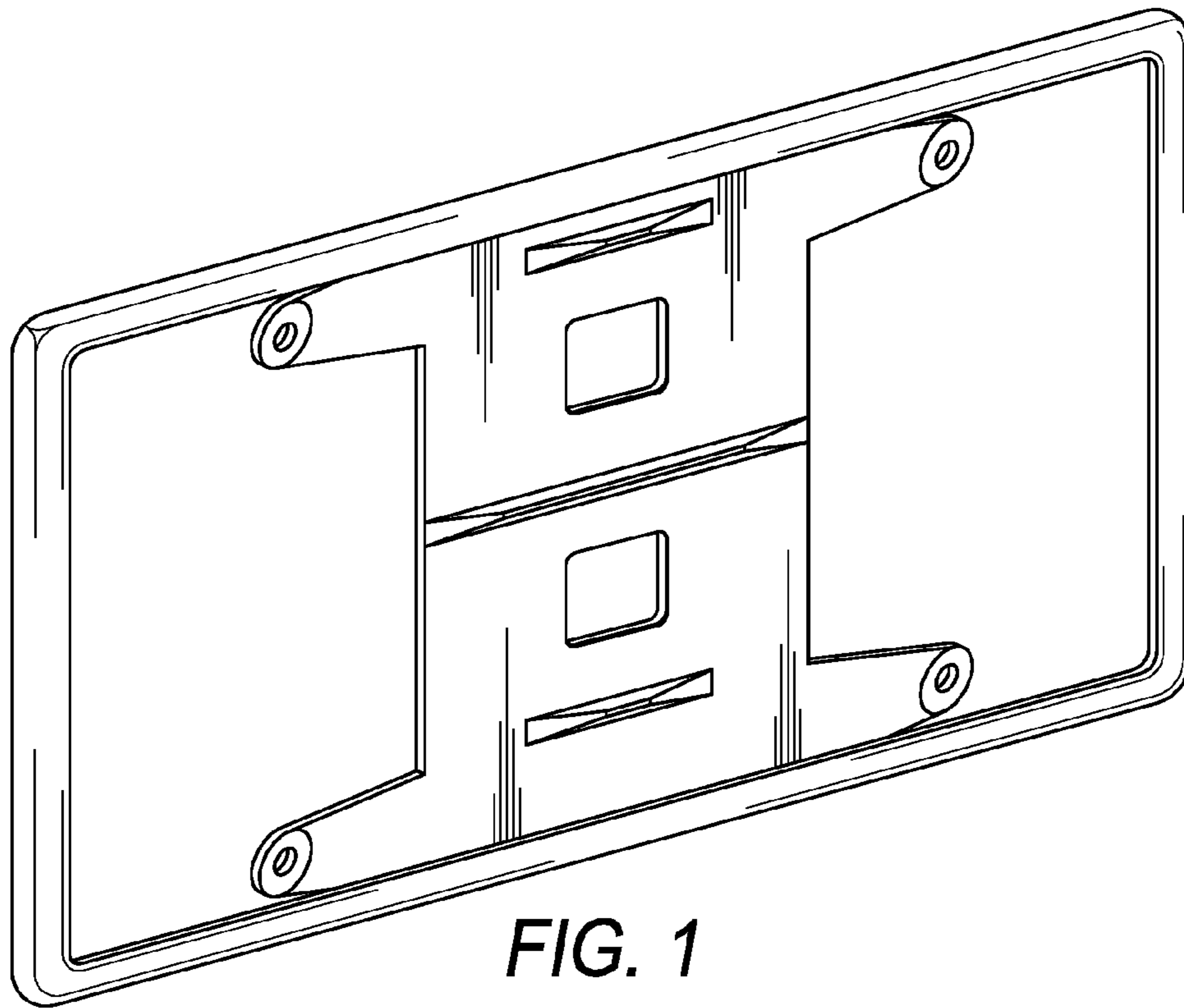


FIG. 1

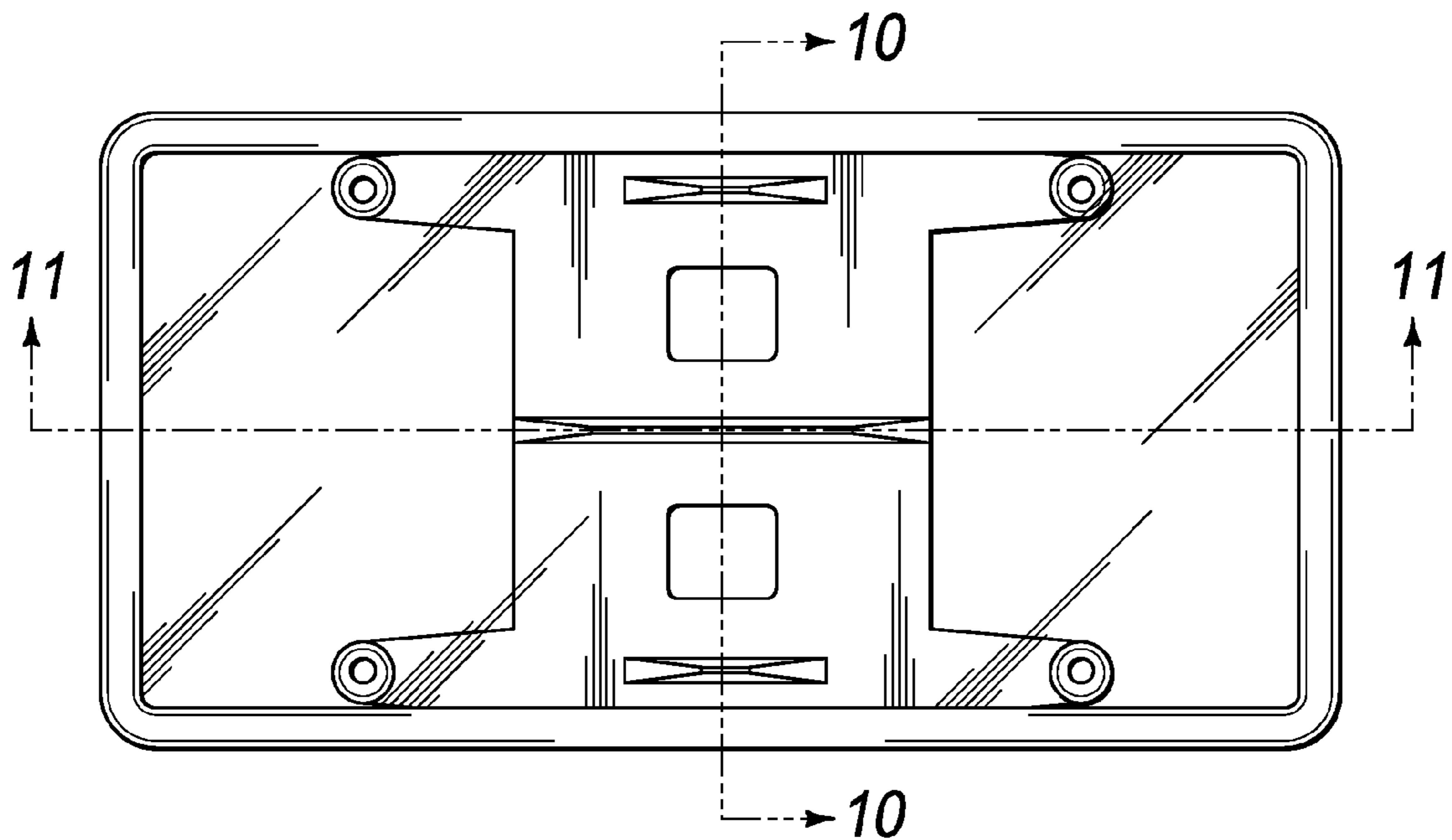


FIG. 2

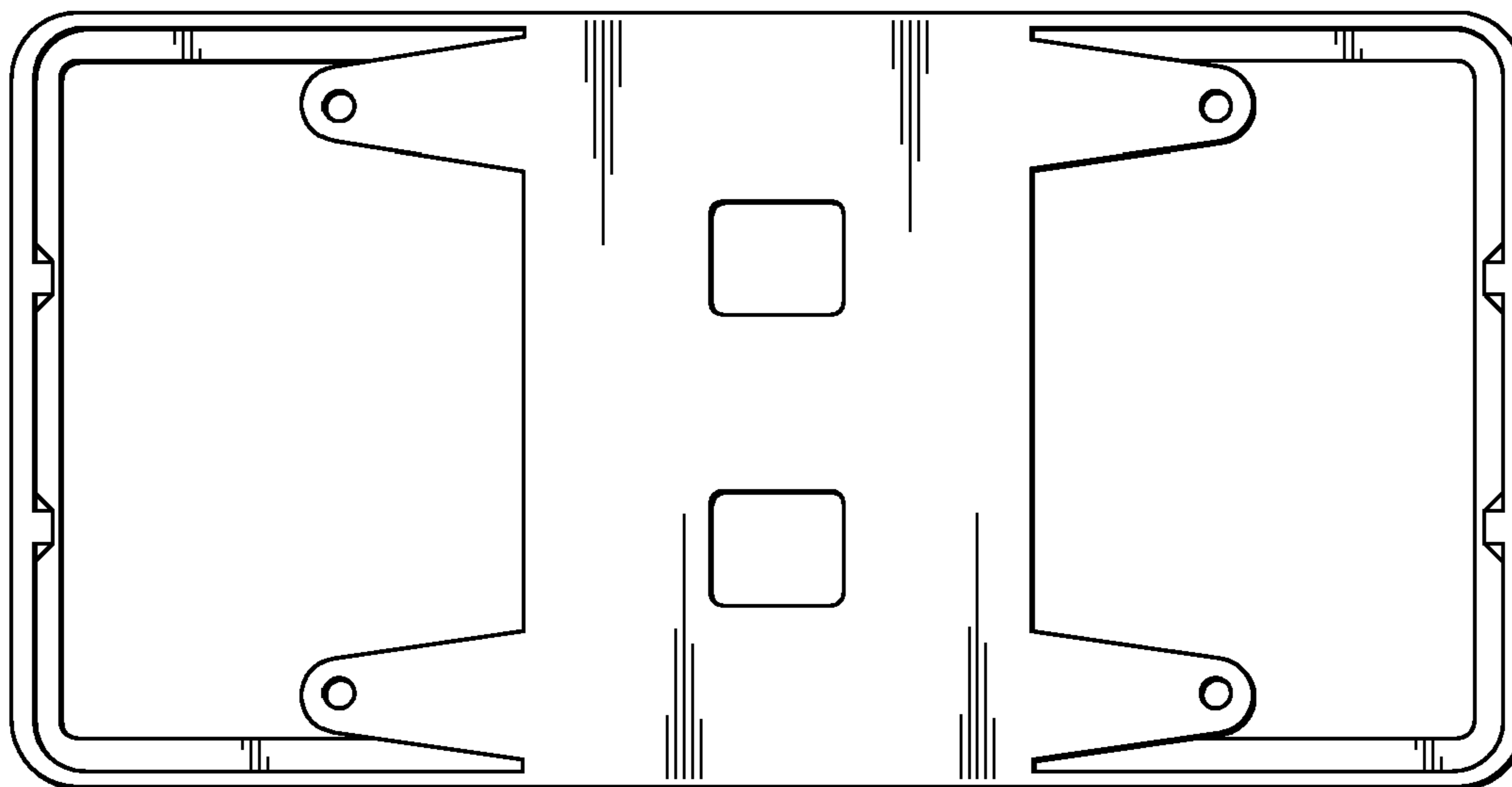


FIG. 3

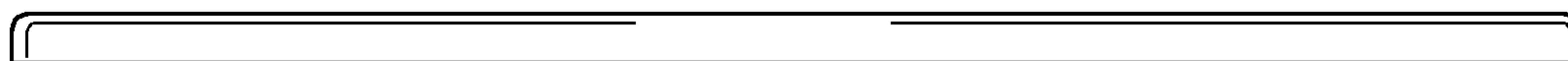


FIG. 4

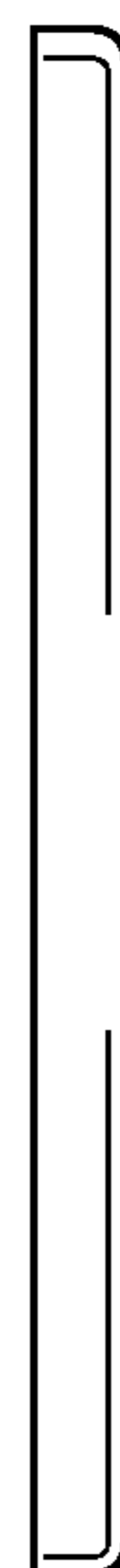


FIG. 5

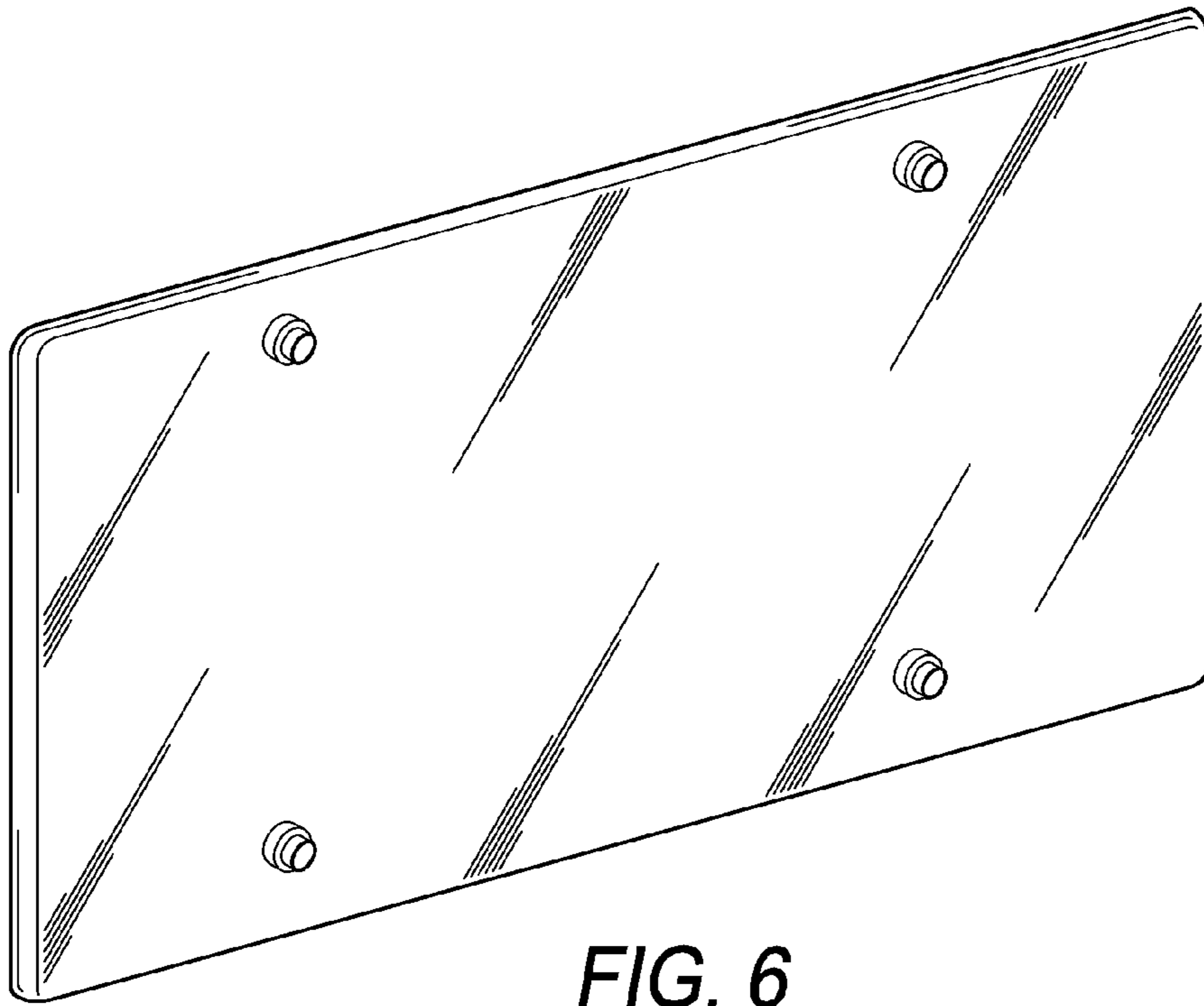


FIG. 6

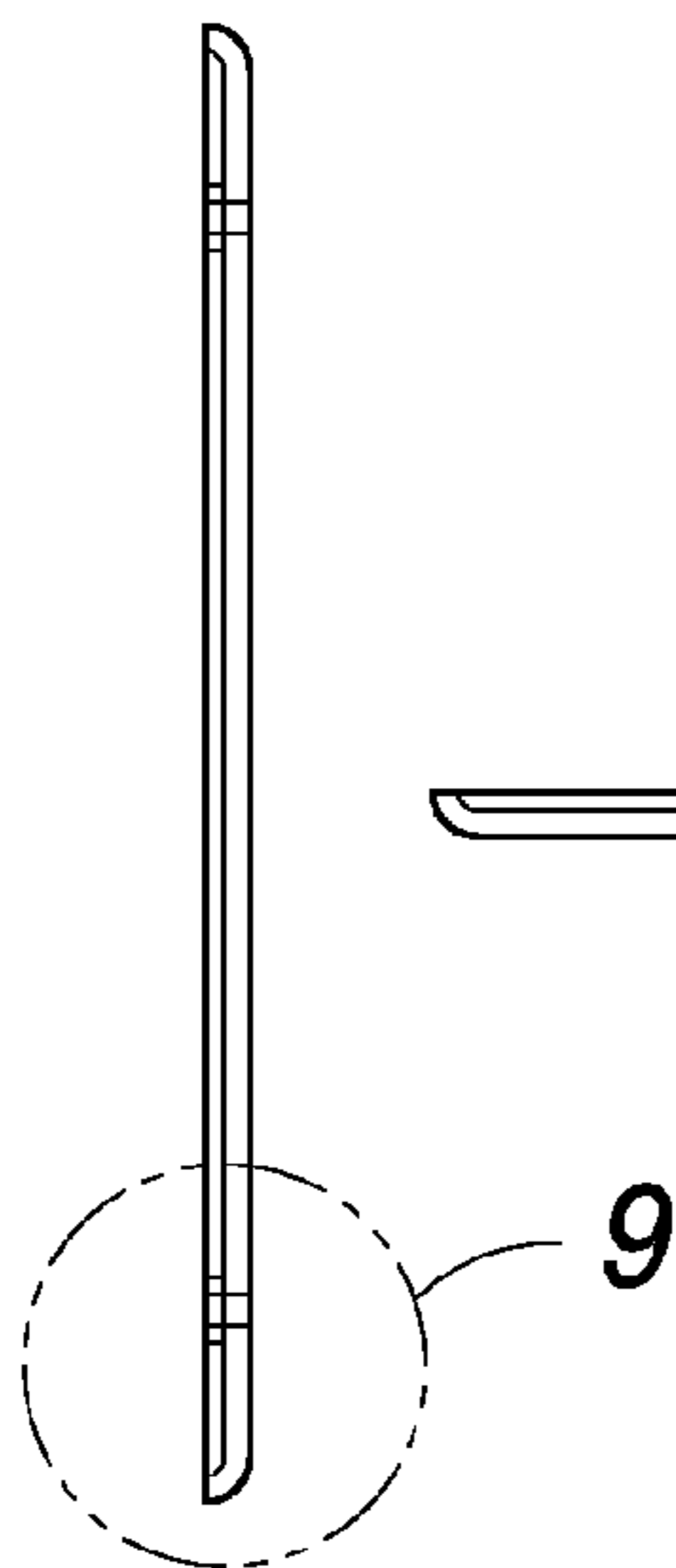


FIG. 7

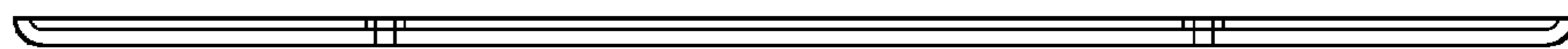


FIG. 8

FIG. 9

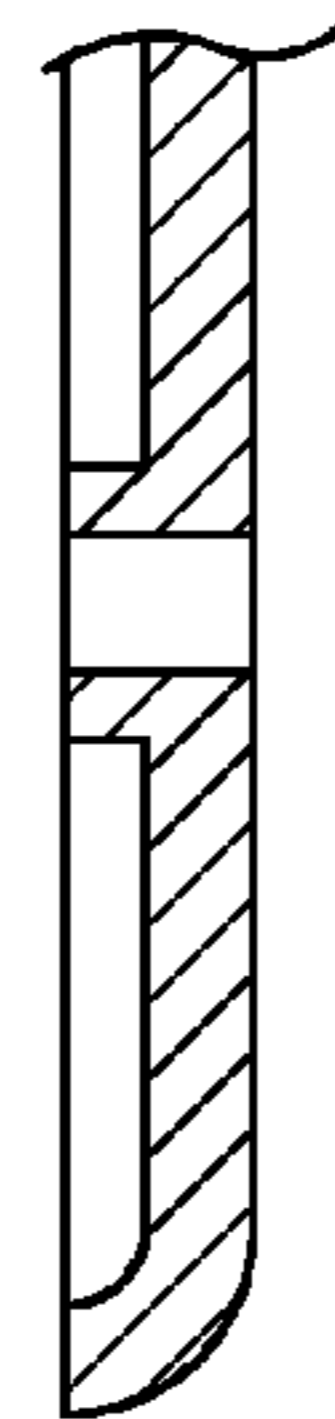


FIG. 10

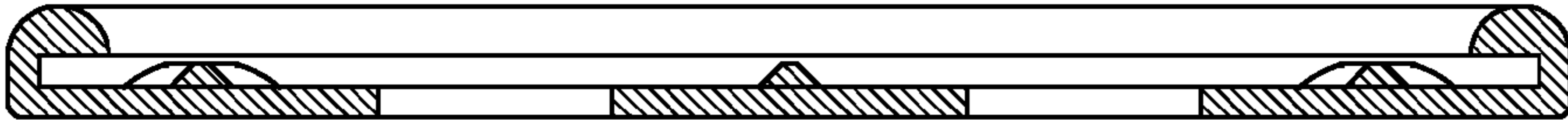


FIG. 11

