



US00D599713S

(12) **United States Design Patent**
Gilbertson

(10) **Patent No.:** **US D599,713 S**
(45) **Date of Patent:** **** Sep. 8, 2009**

(54) **MOTOR BIKE STAND**

5,979,878 A * 11/1999 Blankenship 254/131

(75) Inventor: **Robert Gilbertson**, Charlotte, NC (US)

* cited by examiner

(73) Assignee: **Jake L. Gilbertson**, Gastonia, NC (US)

Primary Examiner—Robin V Webster

Assistant Examiner—Linda Brooks

(**) Term: **14 Years**

(74) *Attorney, Agent, or Firm*—Christensen O'Connor Johnson Kindness PLLC

(21) Appl. No.: **29/320,762**

(57) **CLAIM**

(22) Filed: **Jul. 2, 2008**

The ornamental design for a motor bike stand, as shown and described.

(51) **LOC (9) Cl.** **12-11**

(52) **U.S. Cl.** **D12/115**

(58) **Field of Classification Search** D12/115,
D12/120, 218, 400, 406, 407; D34/28, 31;
280/293, 304, 7, 830, 831; 248/352; 254/2 R,
254/8 R, 8 B, 131, 134, 93 R, 93 L, 133 R;
211/5, 17–22; 108/147, 25, 50.11; 417/236,
417/313, 265, 321, 359, 405, 410.1, 415,
417/416, 234; D15/7–9; D23/225, 231,
D23/232

DESCRIPTION

FIG. 1 is a perspective view of a motor bike stand showing my new design, wherein an air hose that is not part of the claimed design is shown in phantom;

See application file for complete search history.

FIG. 2 is a front view of the motor bike stand shown in FIG. 1;

FIG. 3 is a rear view of the motor bike stand shown in FIG. 1;

FIG. 4 is a right side view of the motor bike stand shown in FIG. 1;

(56) **References Cited**

U.S. PATENT DOCUMENTS

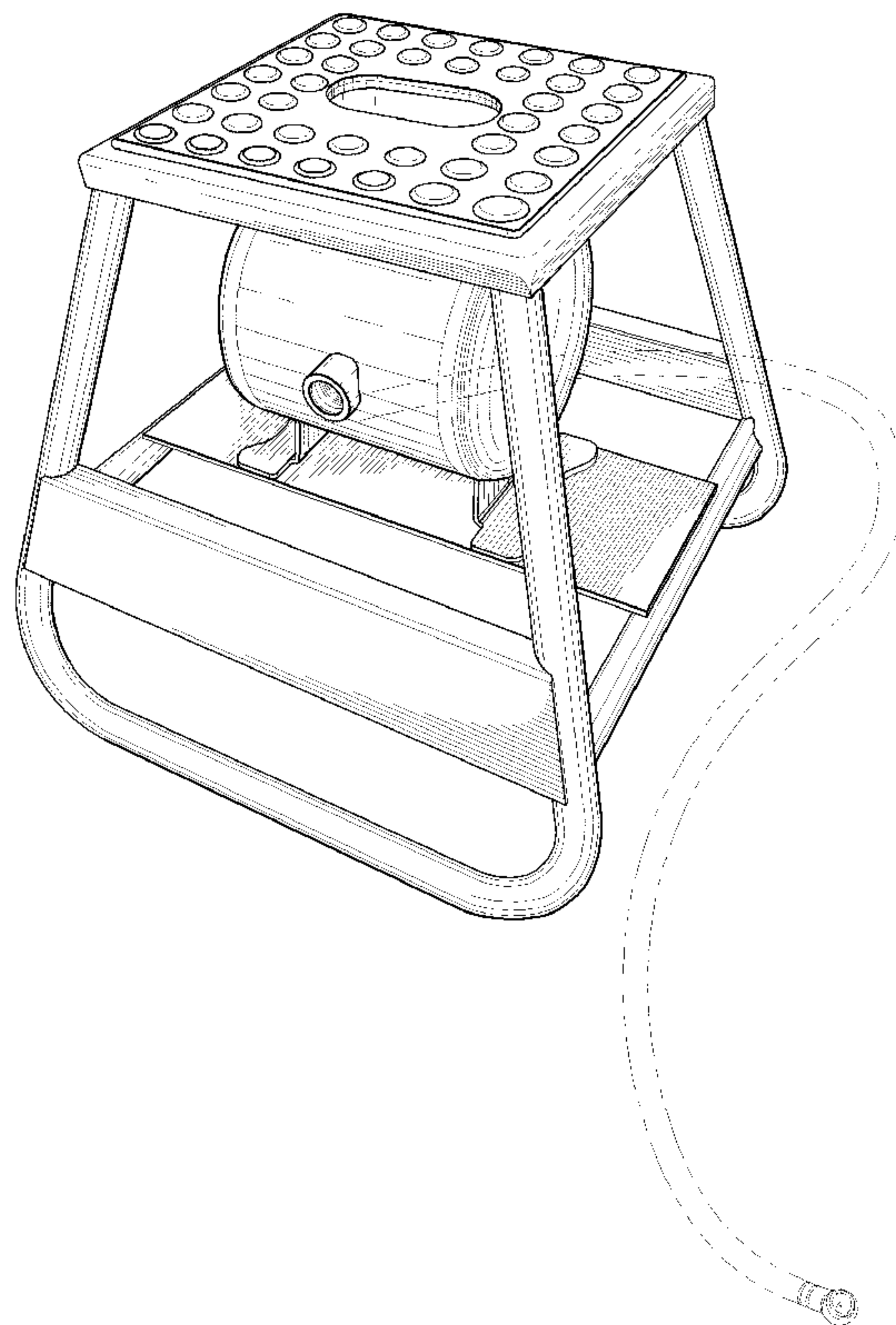
1,896,715 A * 2/1933 Martinetti 254/1
4,420,164 A 12/1983 Mitchell
4,723,756 A 2/1988 Stumpf, Jr.
D295,754 S * 5/1988 Wang D15/9
D307,346 S * 4/1990 Kawana D34/31
5,518,224 A 5/1996 Anderson

FIG. 5 is a left side view of the motor bike stand shown in FIG. 1;

FIG. 6 is a top plan view of the motor bike stand shown in FIG. 1; and,

FIG. 7 is a bottom view of the motor bike stand shown in FIG. 1.

1 Claim, 4 Drawing Sheets



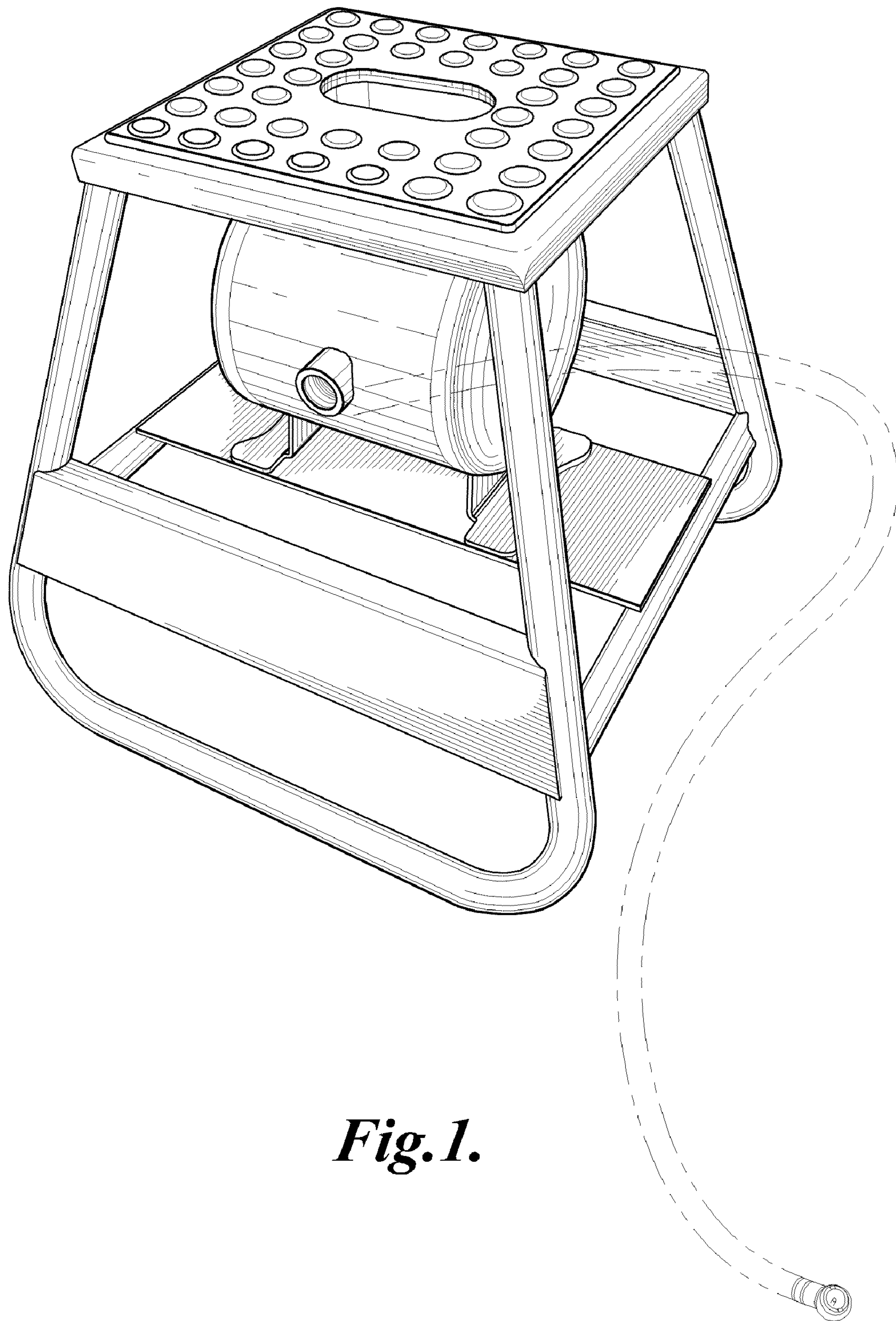


Fig.1.

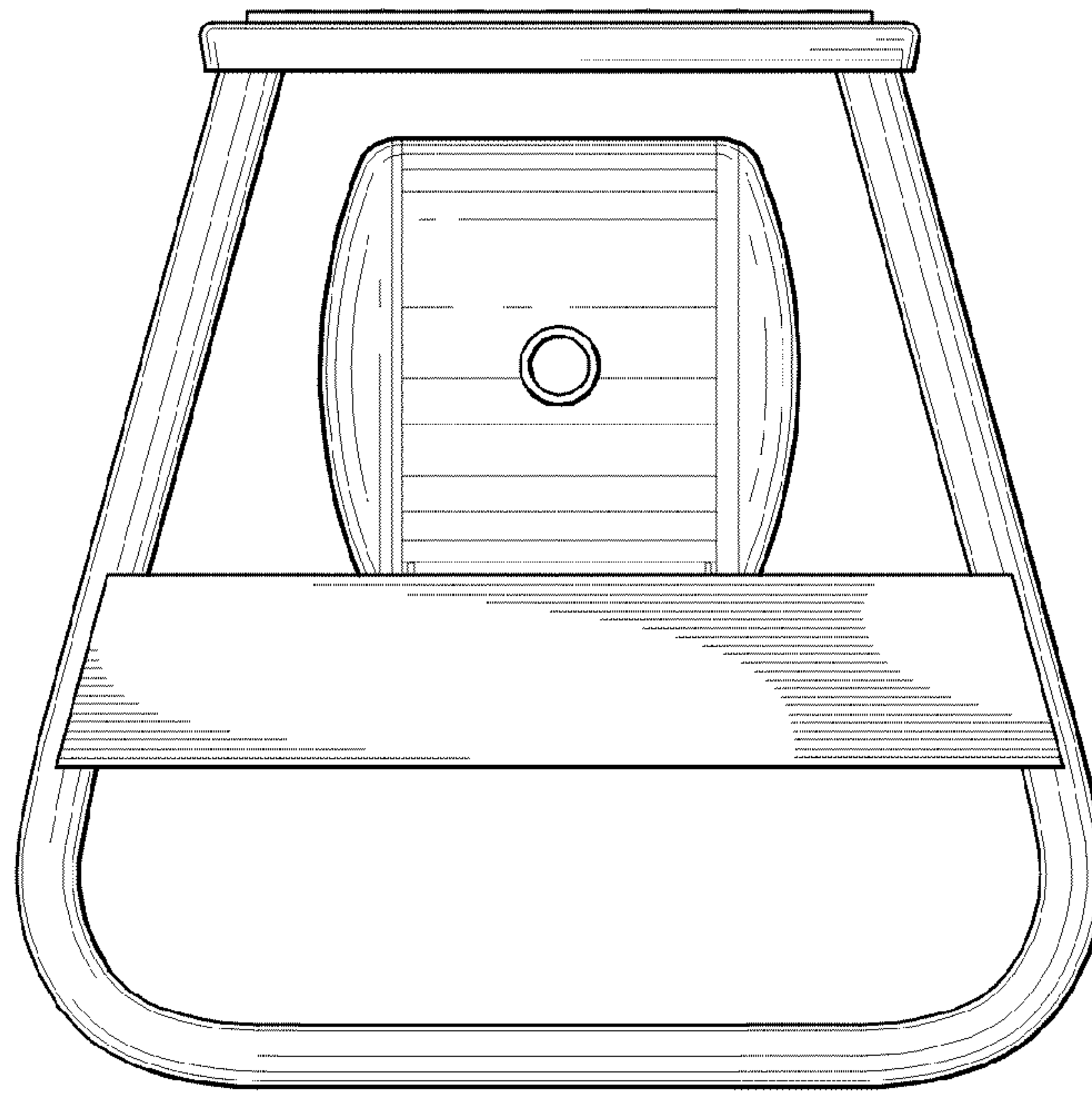


Fig. 2.

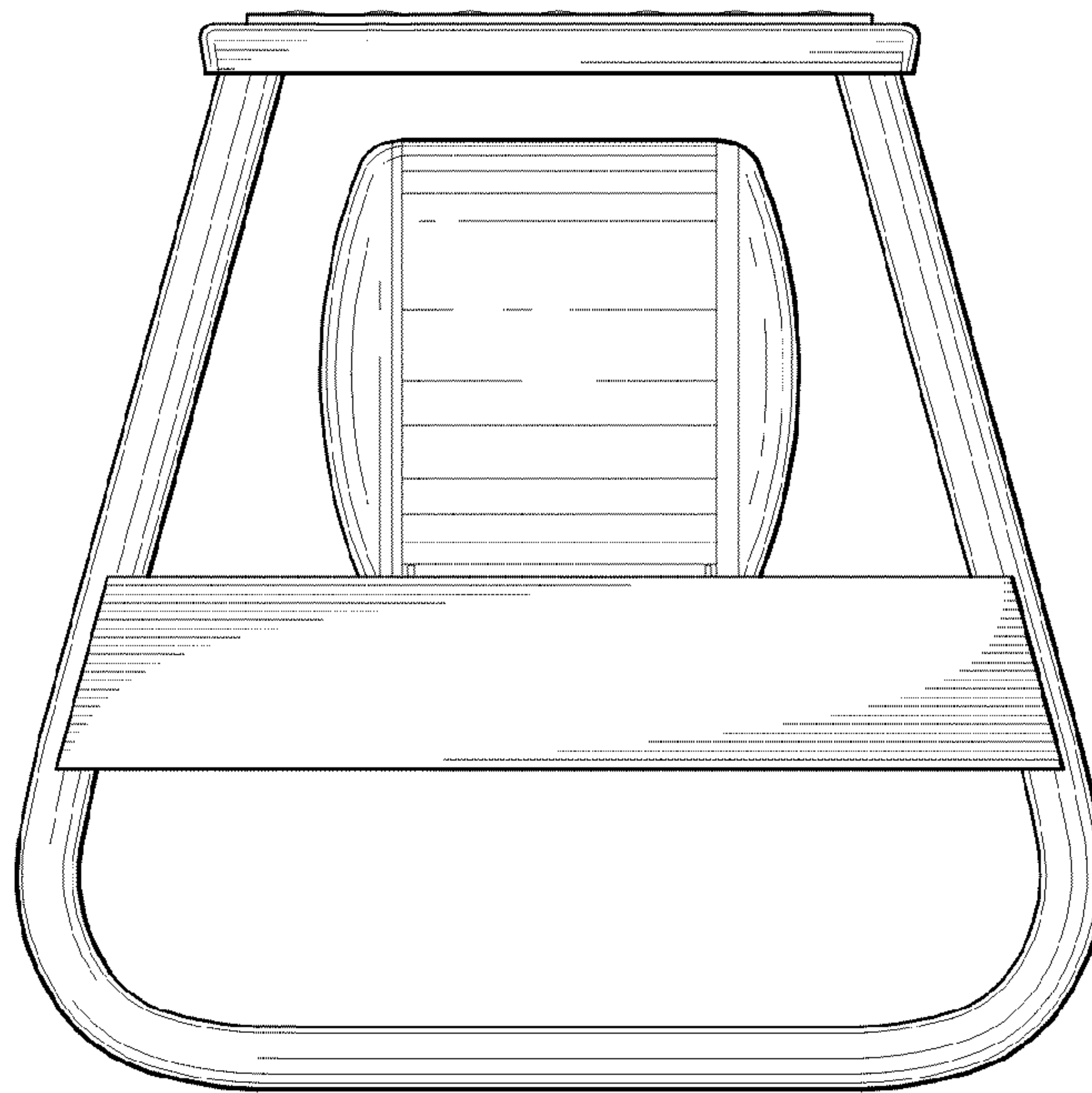


Fig. 3.

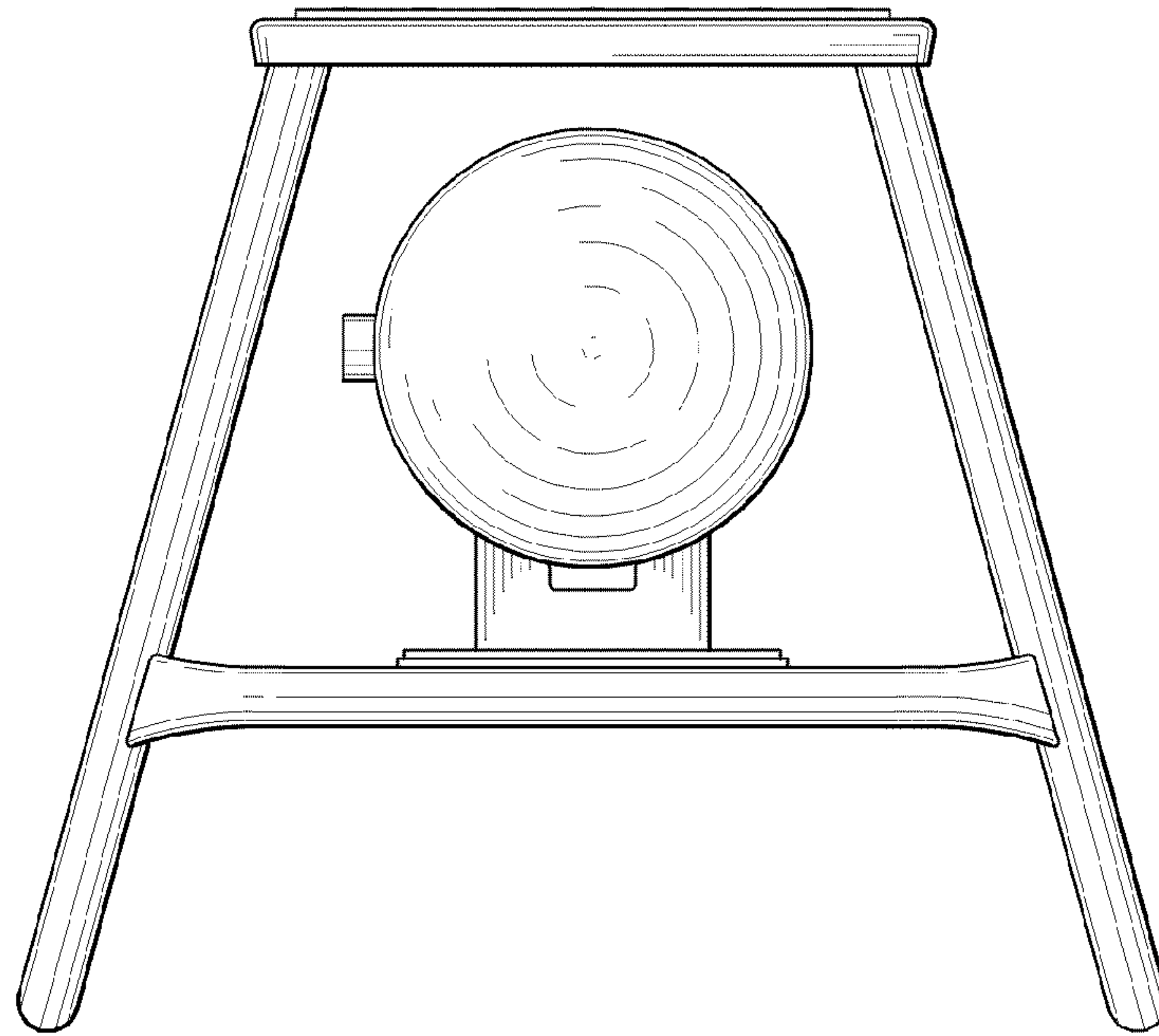


Fig. 4.

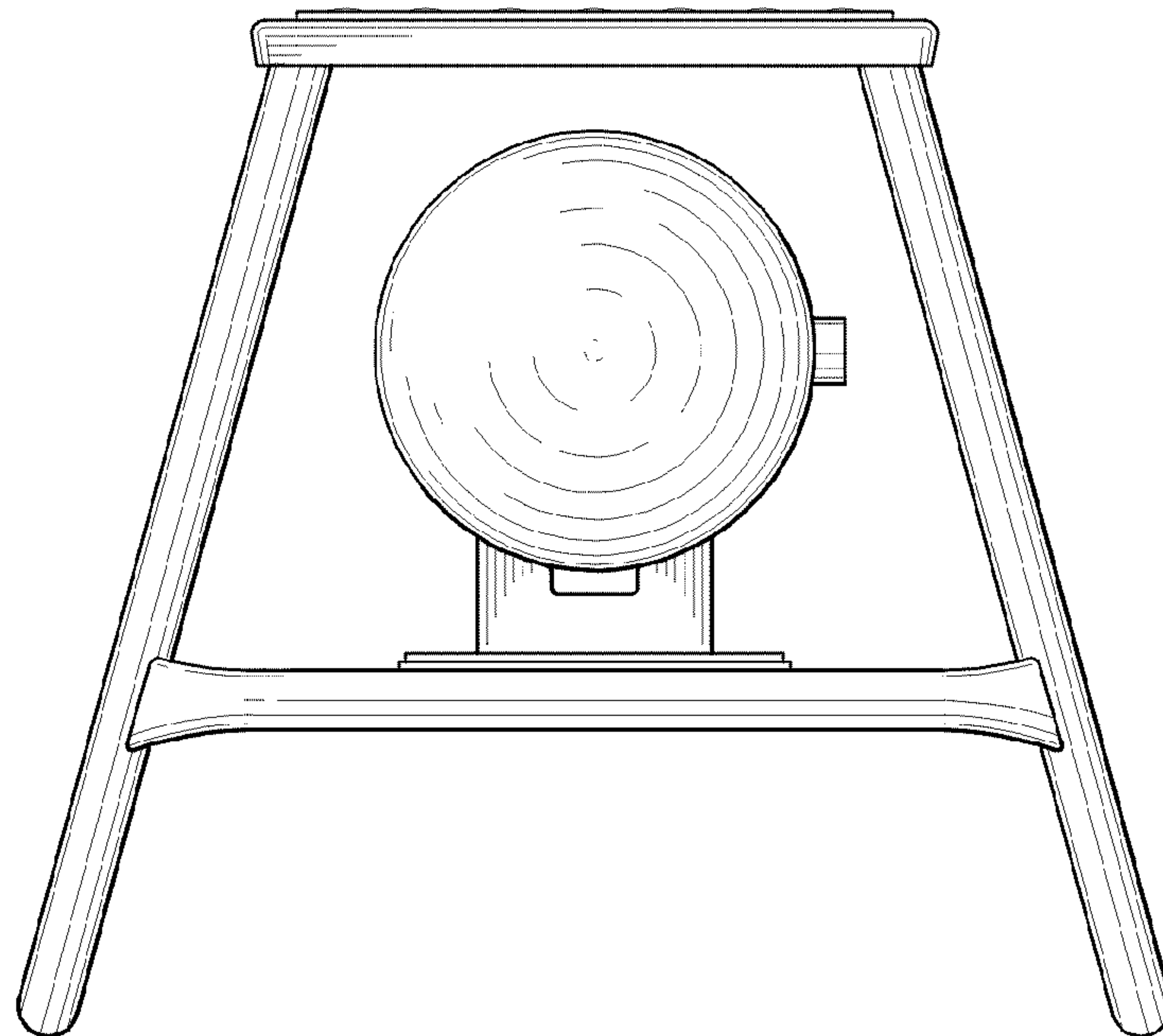


Fig. 5.

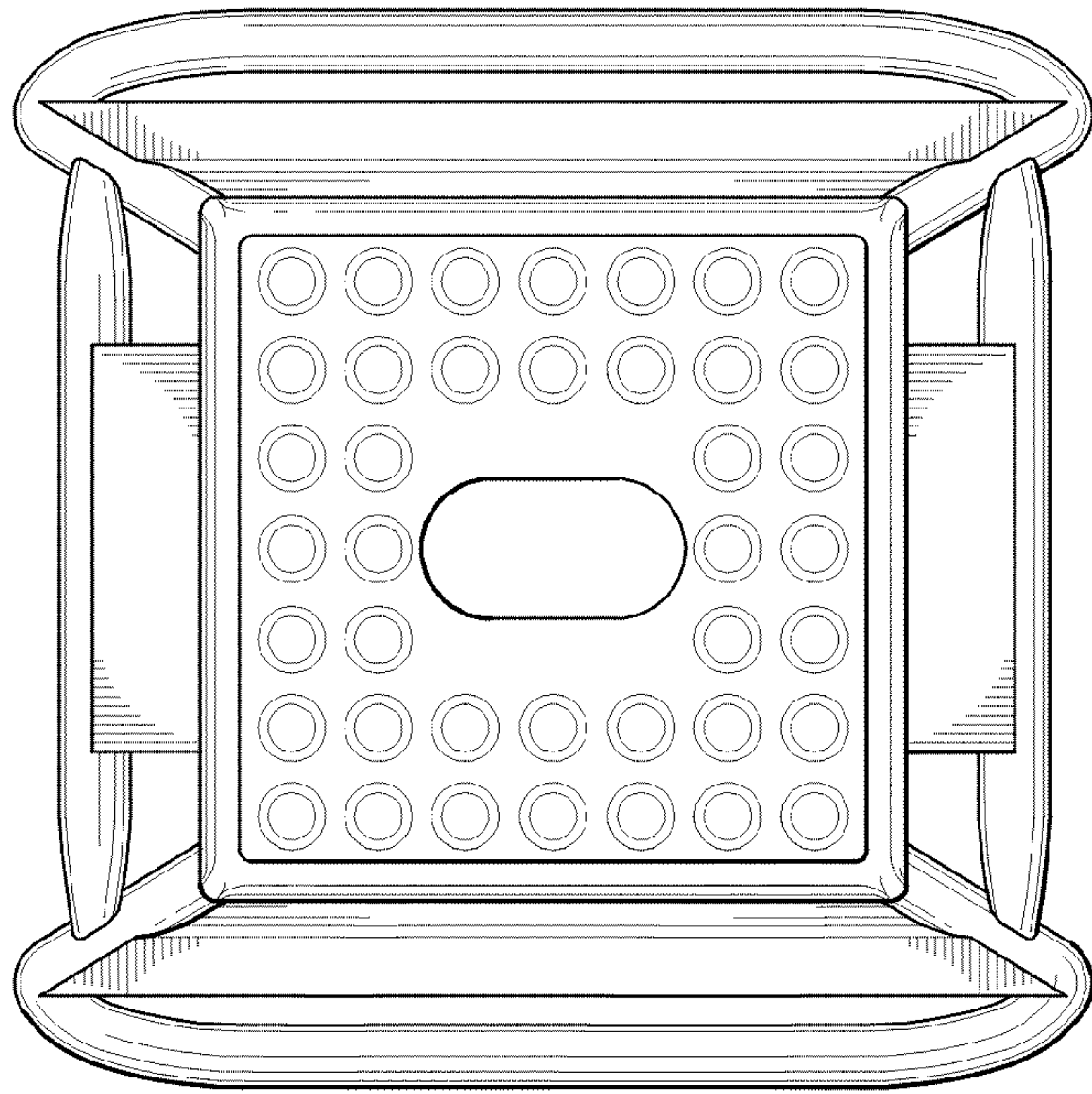


Fig. 6.

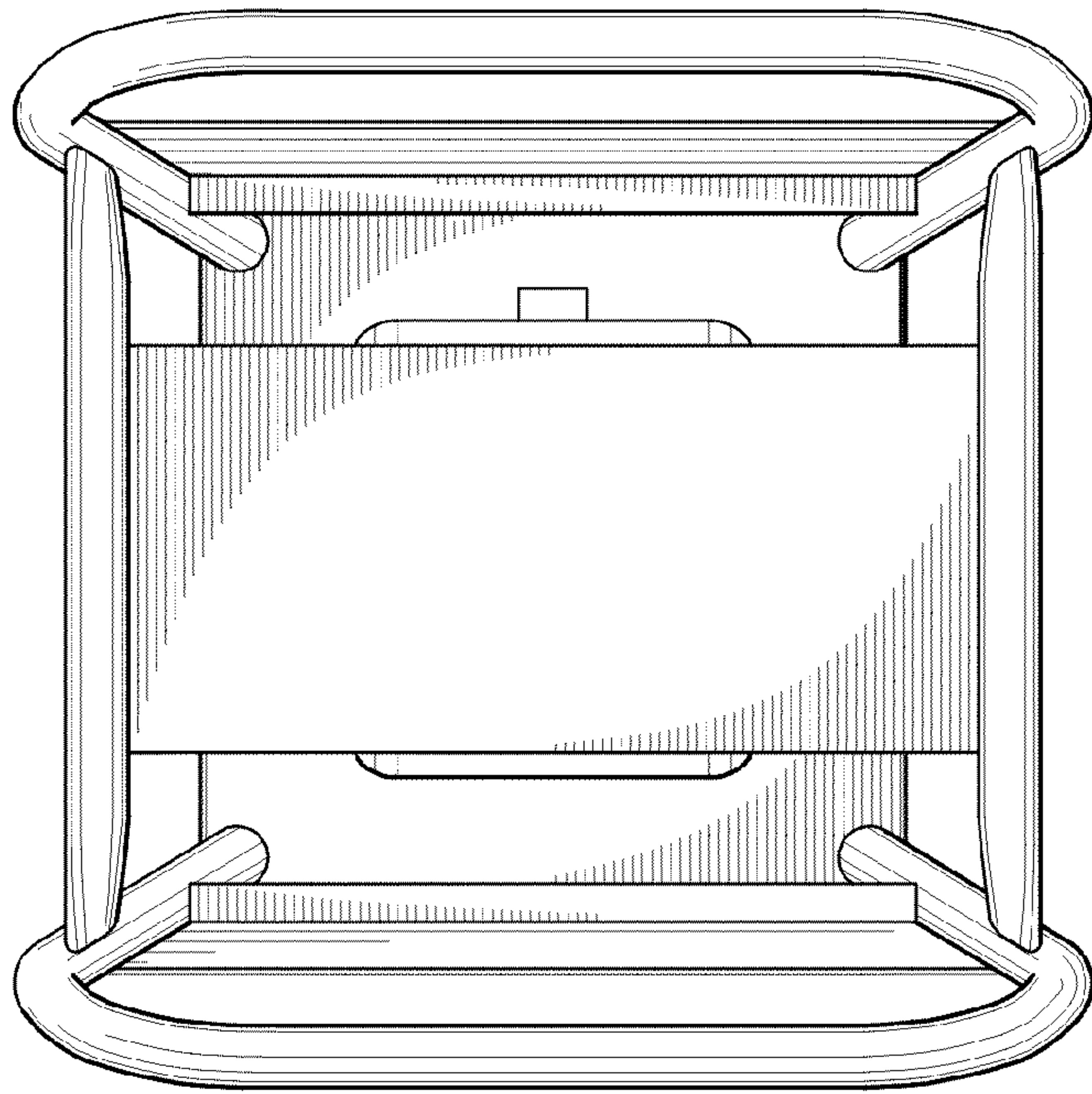


Fig. 7.