

US00D599703S

(12) **United States Design Patent**
Tamiya et al.

(10) **Patent No.:** **US D599,703 S**
(45) **Date of Patent:** **** Sep. 8, 2009**

(54) **AUTOMOBILE AND/OR TOY REPLICA THEREOF**

(75) Inventors: **Sou Tamiya**, Toyota (JP); **Yoshitake Takaoka**, Toyota (JP); **Tokuharu Mino**, Toyota (JP)

(73) Assignee: **Toyota Jidosha Kabushiki Kaisha**, Toyota (JP)

(**) Term: **14 Years**

(21) Appl. No.: **29/306,239**

(22) Filed: **Apr. 4, 2008**

(30) **Foreign Application Priority Data**

Oct. 9, 2007 (JP) 2007-027527

(51) **LOC (9) Cl.** **12-08**

(52) **U.S. Cl.** **D12/91**

(58) **Field of Classification Search** D12/86, D12/90-92; 296/181.1, 181.5

See application file for complete search history.

(56) **References Cited**

U.S. PATENT DOCUMENTS

D522,407 S * 6/2006 Kim et al. D12/91
D570,250 S * 6/2008 Nakamura D12/91

OTHER PUBLICATIONS

DMT; p. 40; Mfg: Toyota Jidosha Kabushiki Kaisha.

* cited by examiner

Primary Examiner—Melody N Brown

(74) *Attorney, Agent, or Firm*—Finnegan, Henderson, Farabow, Garrett & Dunner, L.L.P.

(57) **CLAIM**

The ornamental design for an automobile and/or toy replica thereof, as shown and described.

DESCRIPTION

FIG. 1 is a right front perspective view of an automobile and/or toy replica thereof of our new design;

FIG. 2 is a right rear perspective view thereof;

FIG. 3 is a right side view thereof, the left side view being a mirror image thereof, except for the fuel door, which is not present on the left side;

FIG. 4 is a front view thereof;

FIG. 5 is a rear view thereof; and,

FIG. 6 is a top plan view thereof.

The bottom view of our design forms no part of the claimed design.

1 Claim, 5 Drawing Sheets

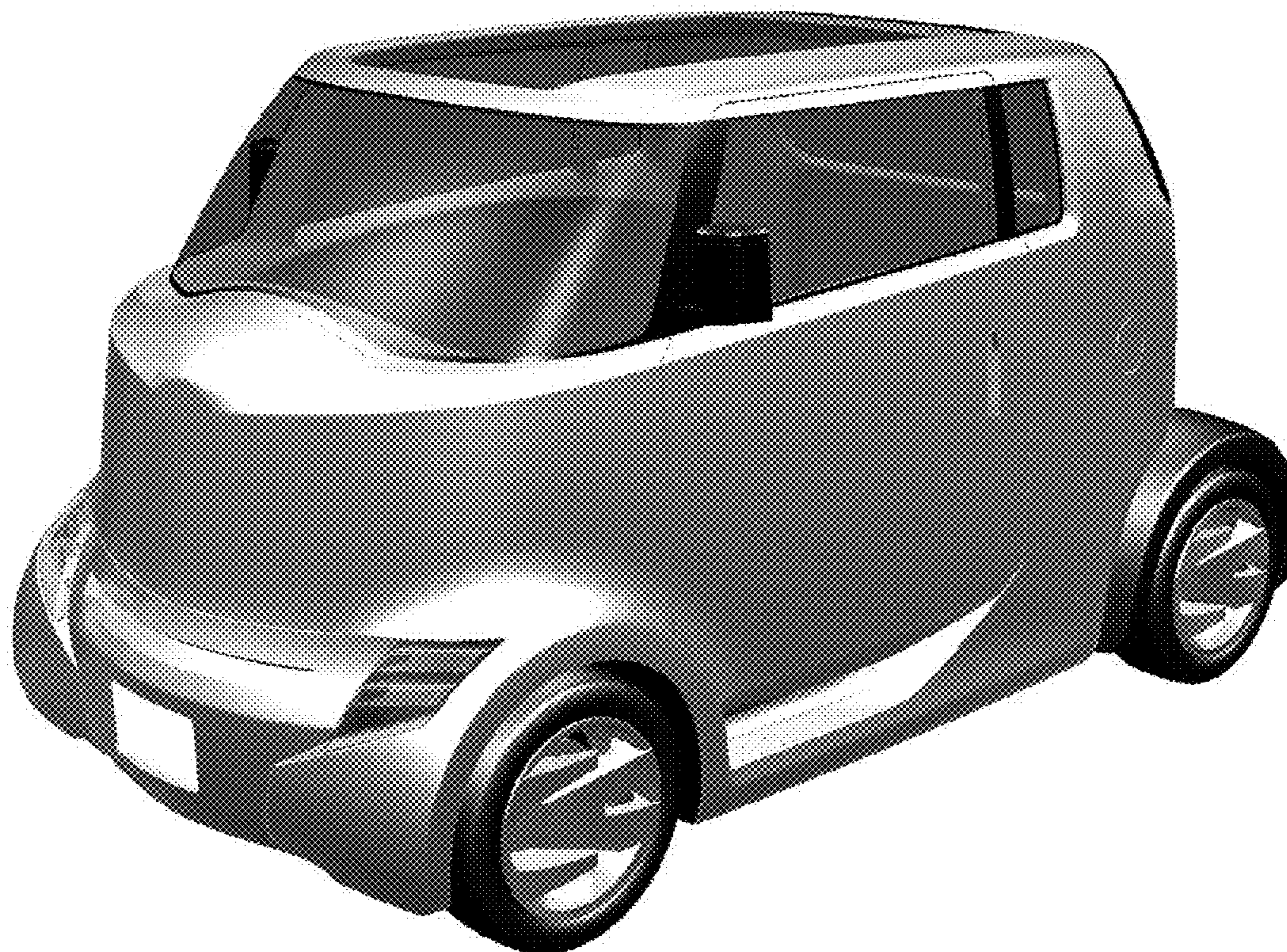




FIG. 1



FIG. 2



FIG. 3

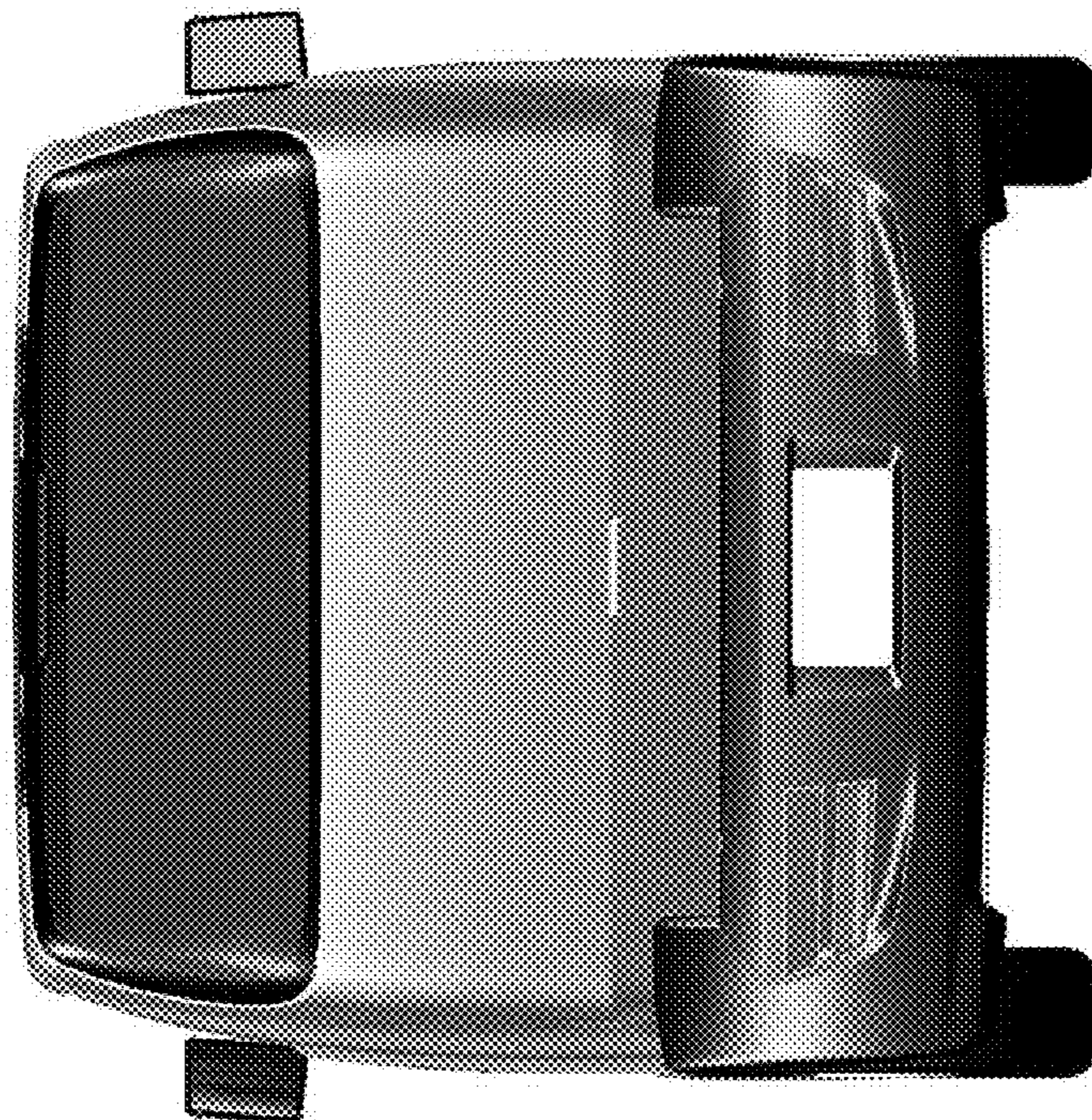


FIG. 4

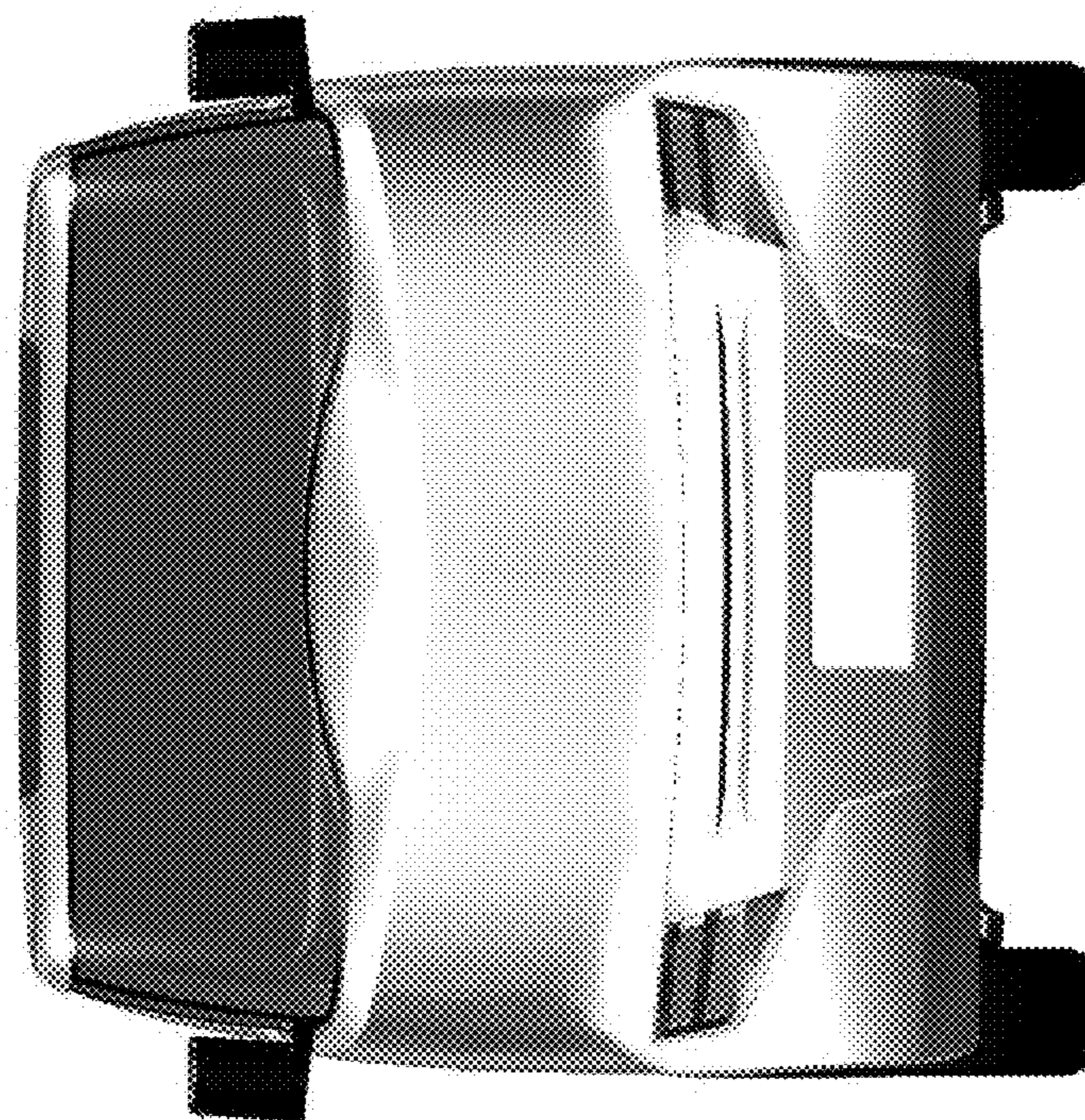


FIG. 5



FIG. 6