

US00D599702S

(12) **United States Design Patent**  
**Yang**

(10) **Patent No.:** **US D599,702 S**

(45) **Date of Patent:** **\*\* Sep. 8, 2009**

(64) **MINI CONVERTIBLE**

(76) **Inventor:** **Tai-Her Yang**, 6F-5, No. 250, Sec. 4,  
Chung Hsiao E. Rd., Taipei (TW) 10692

(\*\*) **Term:** **14 Years**

(21) **Appl. No.:** **29/309,539**

(22) **Filed:** **Aug. 29, 2008**

(51) **LOC (9) Cl.** ..... **12-13**

(52) **U.S. Cl.** ..... **D12/14**

(58) **Field of Classification Search** ..... D12/87,  
D12/86, 1, 433, 15, 16, 107, 82, 88, 89, 90,  
D12/91, 92, 93, 13, 128, 131; D15/30; D21/803,  
D21/555, 423; 180/233, 908; 280/DIG. 5,  
280/183, 184, 185, 186, 28, 37.7  
See application file for complete search history.

(56) **References Cited**

**U.S. PATENT DOCUMENTS**

- D242,698 S \* 12/1976 Viniegra ..... D12/86
- D324,246 S \* 2/1992 Ching-Tien ..... D21/433
- D469,734 S \* 2/2003 Tyrer ..... D12/401

\* cited by examiner

*Primary Examiner*—T. Chase Nelson  
*Assistant Examiner*—Ania K Dworzecka  
(74) *Attorney, Agent, or Firm*—Bacon & Thomas, PLLC

(57) **CLAIM**

The ornamental design for a mini convertible, as shown and described.

**DESCRIPTION**

FIG. 1 is a perspective view of a mini convertible showing my new design;

FIG. 2 is a front elevational view thereof;

FIG. 3 is a rear elevational view thereof;

FIG. 4 is a left side elevational view thereof;

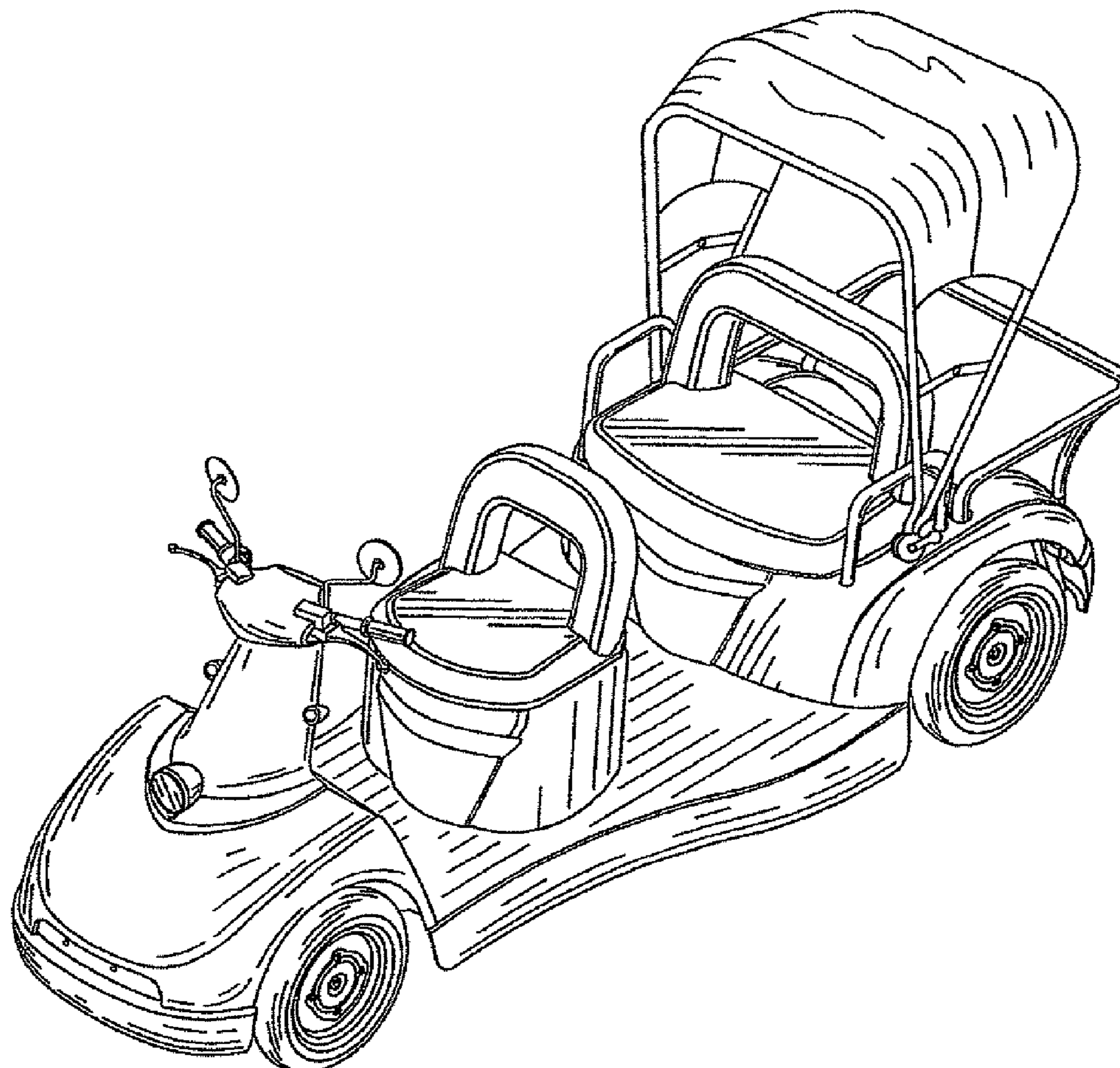
FIG. 5 is a right side elevational view thereof;

FIG. 6 is a top plan view thereof; and,

FIG. 7 is a bottom plan view thereof.

The portions of the mini convertible shown in broken lines form no part of the claimed design.

**1 Claim, 7 Drawing Sheets**



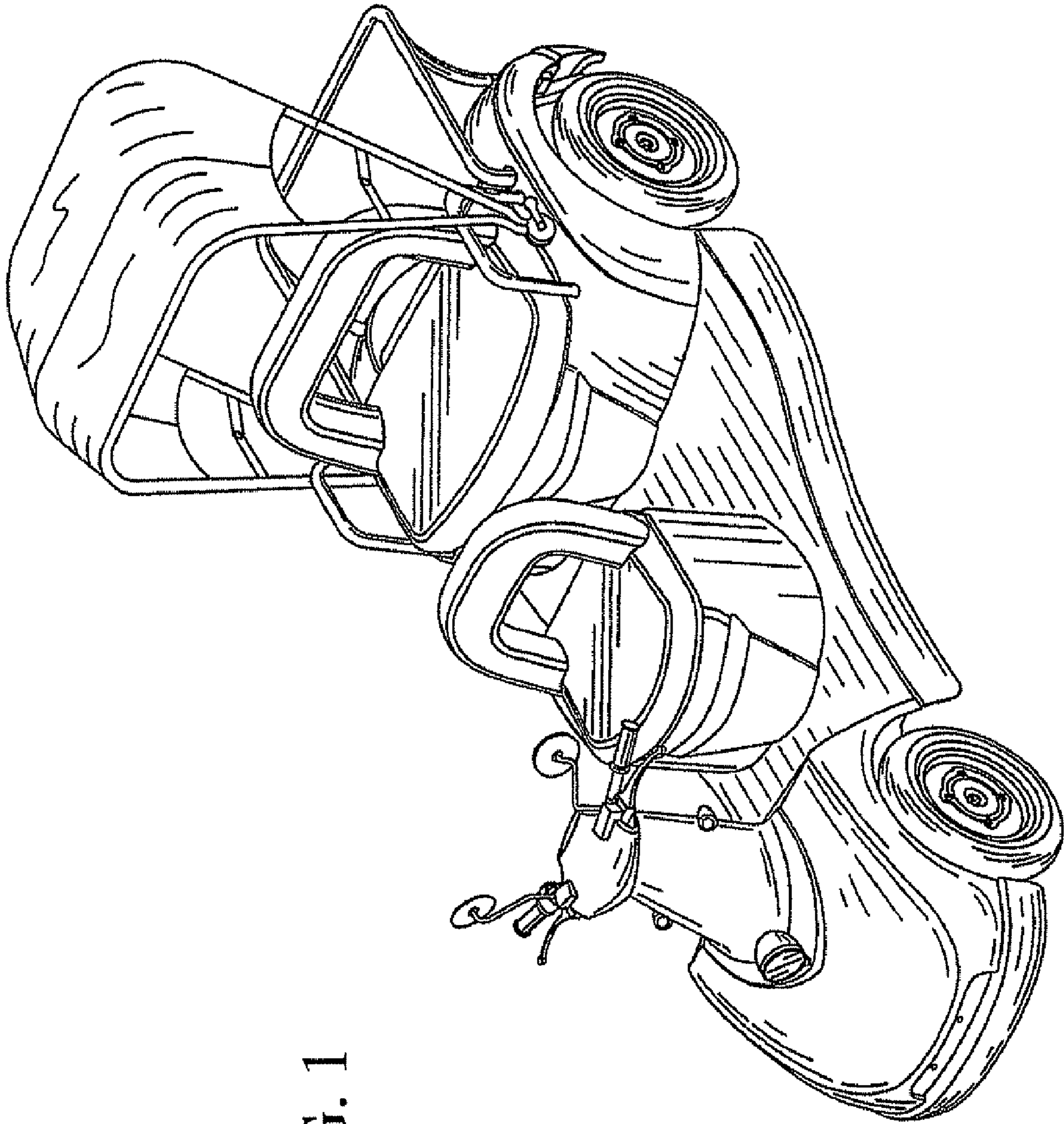


FIG. 1

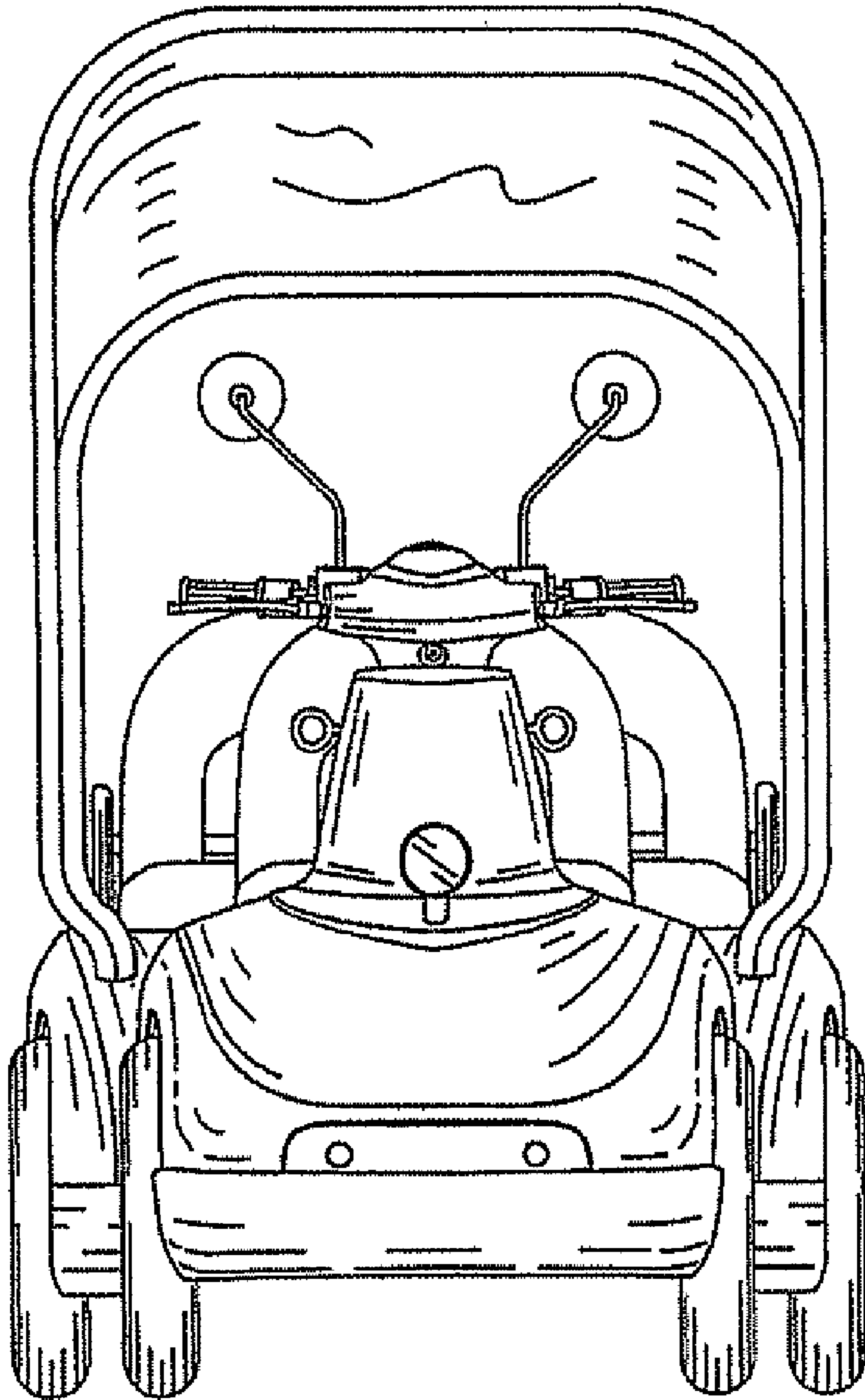


FIG. 2

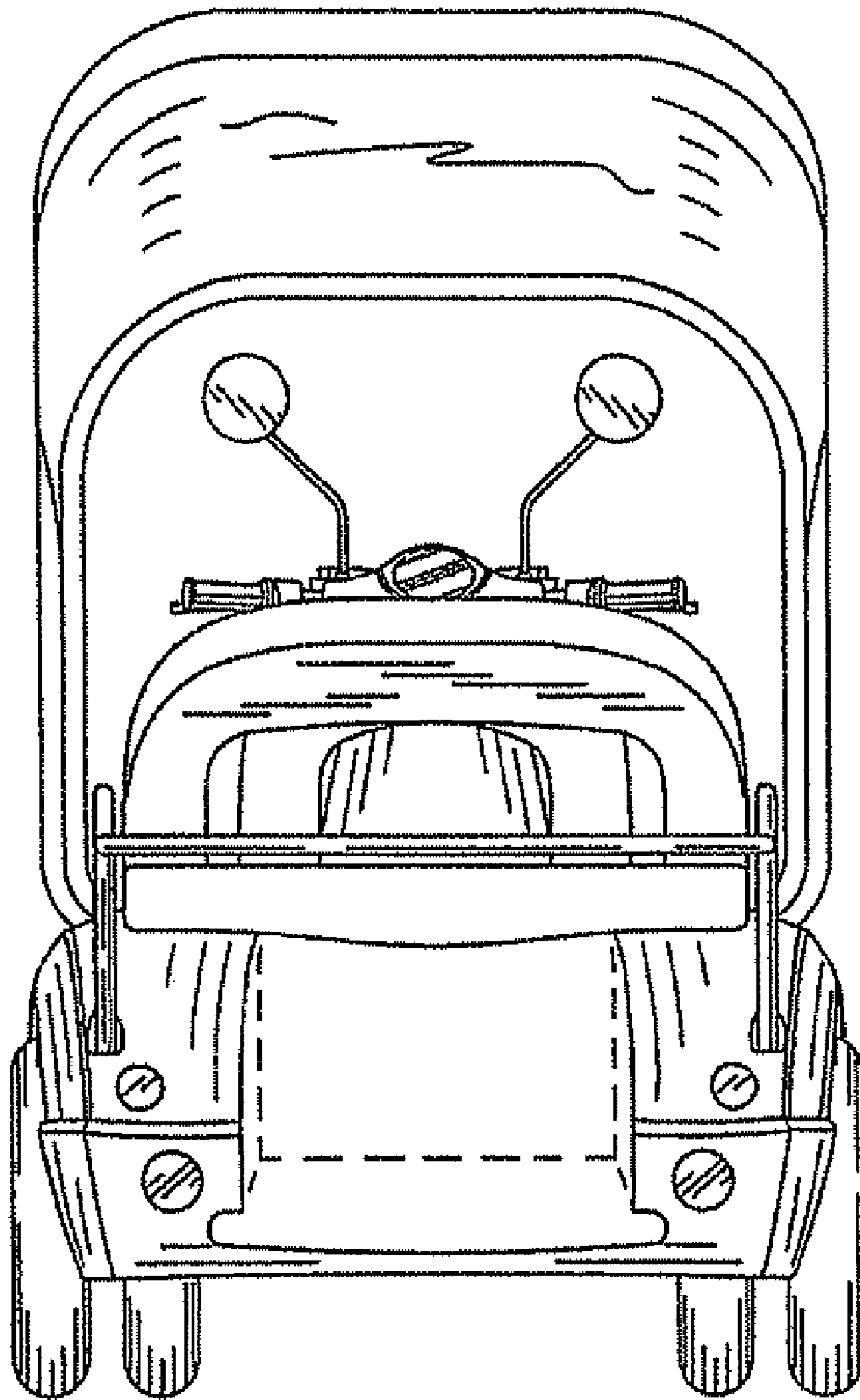


FIG. 3

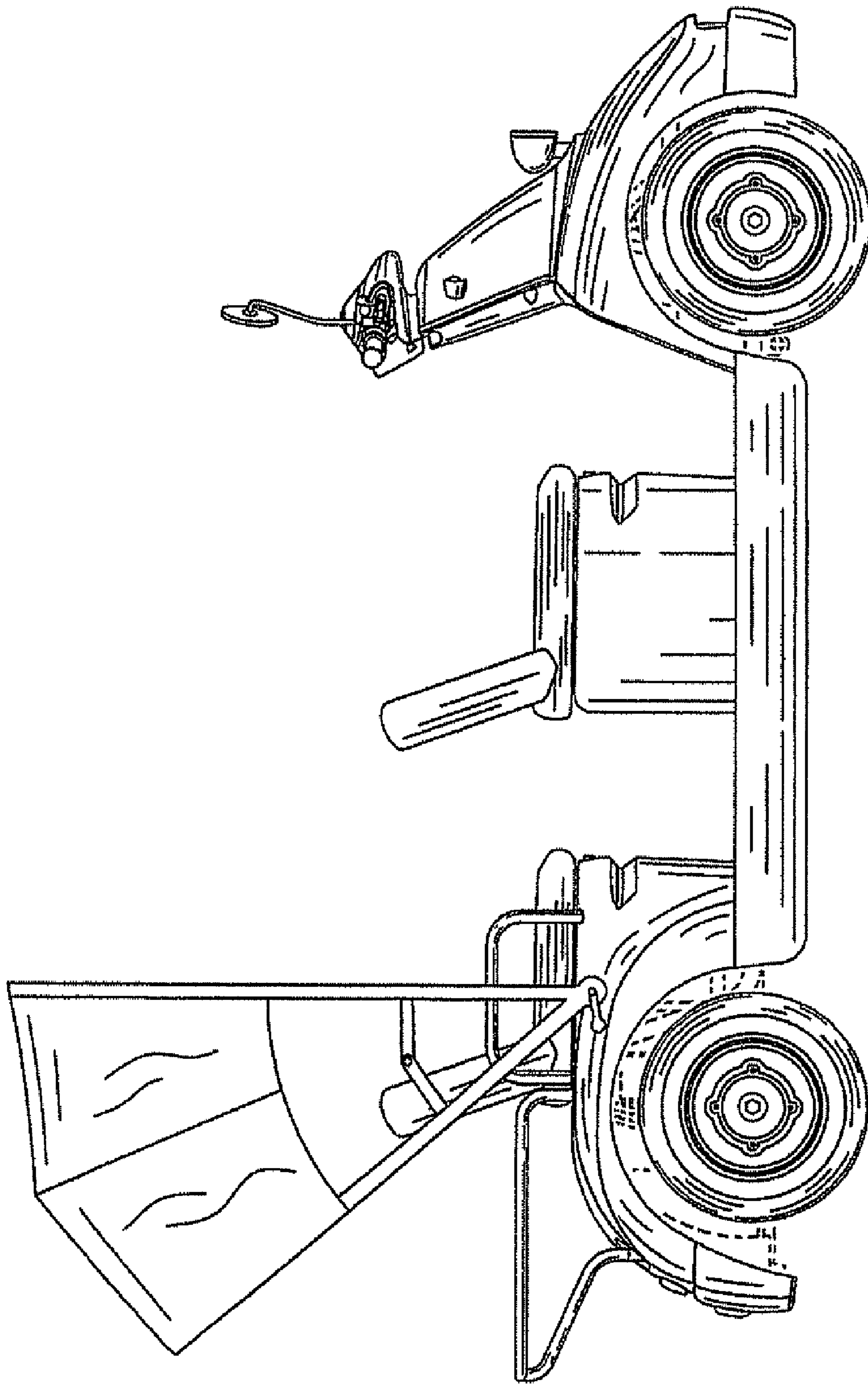


FIG. 4

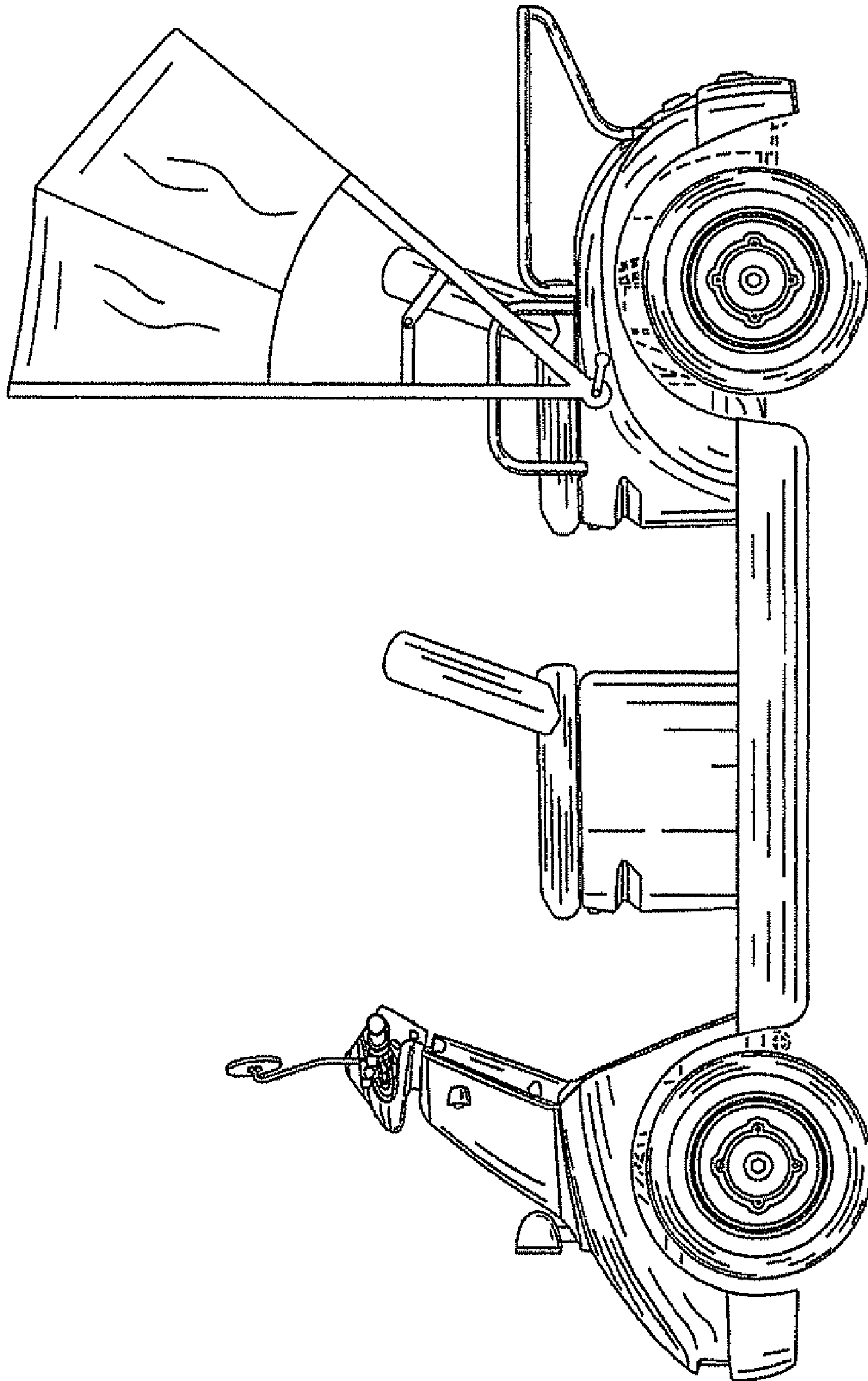


FIG. 5

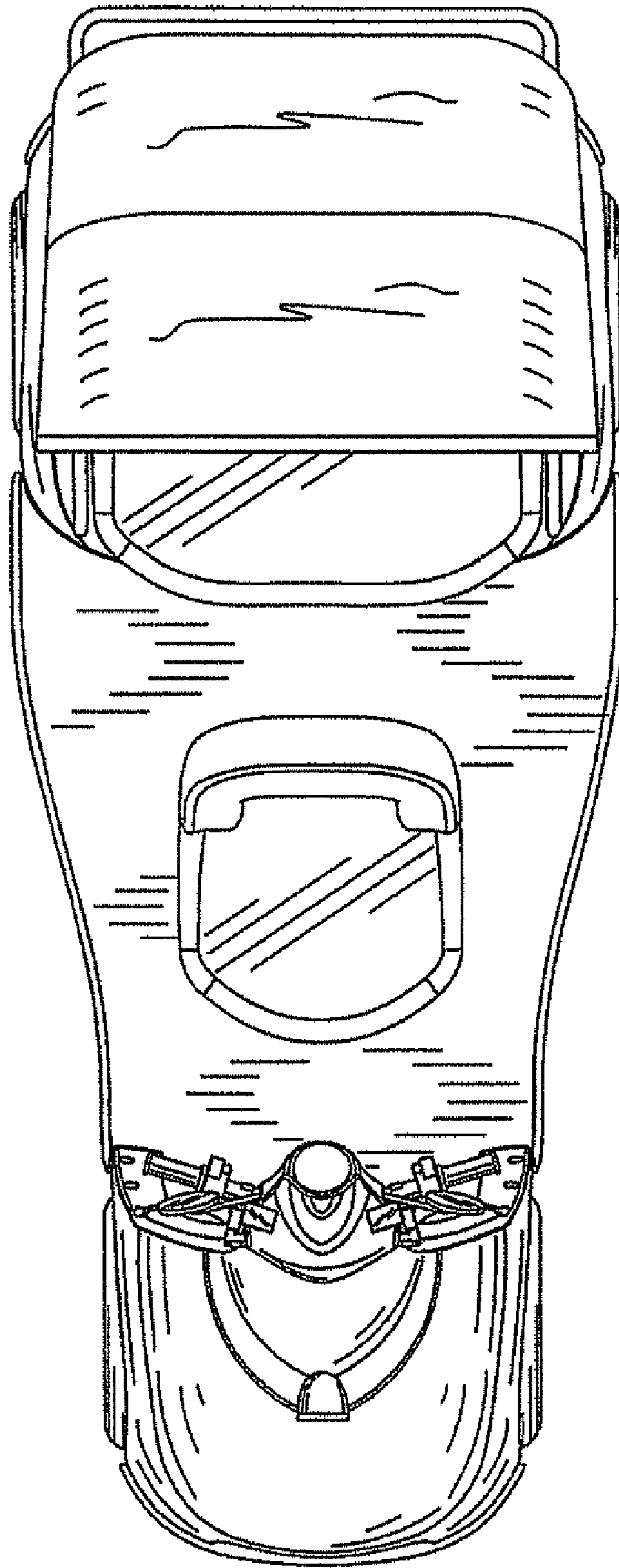


FIG. 6

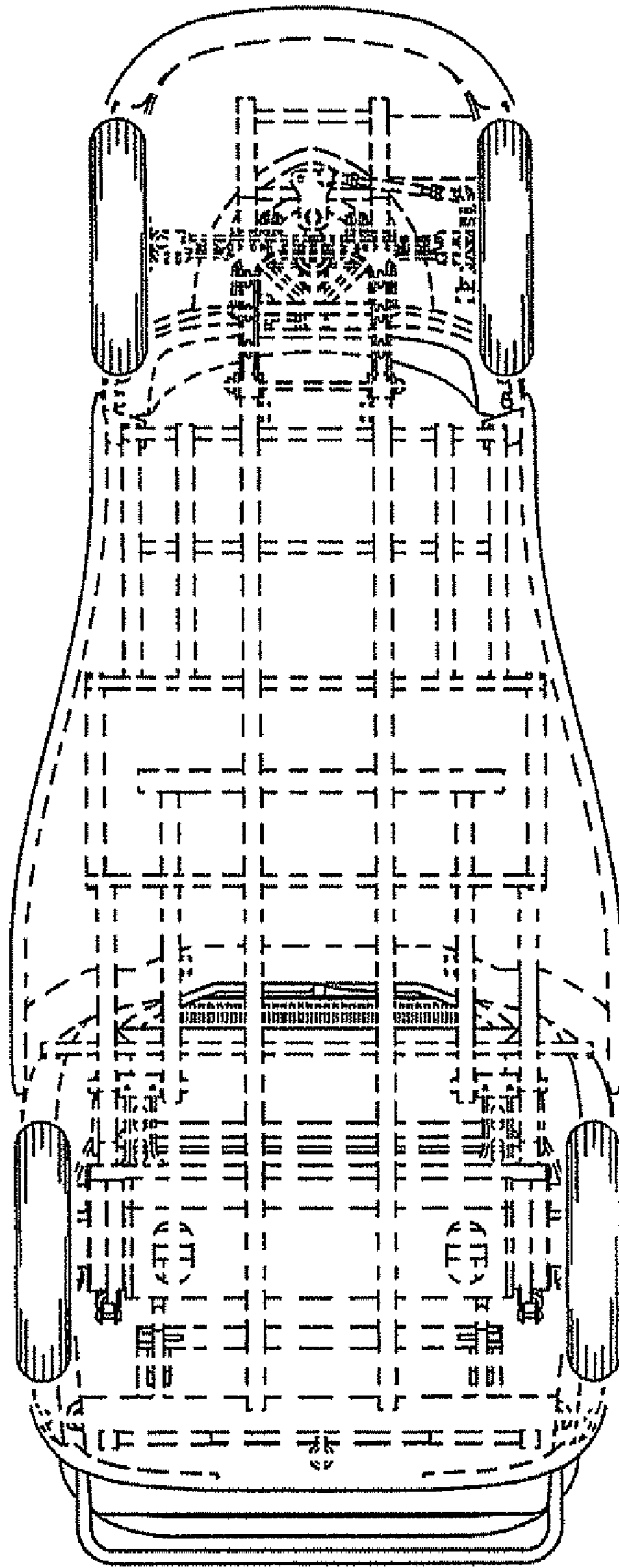


FIG. 7