

US00D599701S

(12) **United States Design Patent**  
**Jacobs et al.**

(10) **Patent No.:** **US D599,701 S**  
(45) **Date of Patent:** **\*\* Sep. 8, 2009**

(54) **BUCKLE ASSEMBLY**

(75) Inventors: **Imre Peter Jacobs**, Utrecht (NL);  
**Martijn Hans Van Gelderen**,  
Amsterdam (NL); **Eric Biermann**,  
Amsterdam (NL); **Fiona Amy Van**  
**Petegem**, Amsterdam (NL)

(73) Assignee: **Nuna International B.V.**, Amsterdam  
(NL)

(\*\*) Term: **14 Years**

(21) Appl. No.: **29/300,148**

(22) Filed: **Feb. 27, 2008**

(30) **Foreign Application Priority Data**

Aug. 28, 2007 (EM) ..... 000779848

(51) **LOC (9) Cl.** ..... **02-07**

(52) **U.S. Cl.** ..... **D11/216; D8/383**

(58) **Field of Classification Search** ..... D8/382,  
D8/383; 24/614, 307, 625, 616, 200, 642,  
24/632; D11/216, 200, 201, 212-220, 230,  
D11/231, 86; 63/15.2

See application file for complete search history.

(56) **References Cited**

**U.S. PATENT DOCUMENTS**

- 3,639,948 A \* 2/1972 Sherman ..... 24/632
- 4,742,604 A \* 5/1988 Mazelsky ..... 24/579.09
- 5,953,798 A \* 9/1999 Matoba et al. .... 24/615
- 6,463,638 B1 \* 10/2002 Pontaoe ..... 24/614
- 6,543,101 B2 \* 4/2003 Sack et al. .... 24/633
- D474,714 S \* 5/2003 Karlsson et al. .... D11/216
- 6,637,826 B2 \* 10/2003 Takayama ..... 297/484
- D511,714 S \* 11/2005 Pontaoe ..... D11/216
- 6,983,518 B2 \* 1/2006 Chen ..... 24/636
- D515,456 S \* 2/2006 Gastaldi ..... D11/216
- D519,406 S \* 4/2006 Merrill et al. .... D11/216

- D535,214 S \* 1/2007 Kolasa ..... D11/216
- 7,257,866 B2 \* 8/2007 Chen ..... 24/171
- 7,263,750 B2 \* 9/2007 Keene et al. .... 24/638
- 7,331,088 B2 \* 2/2008 Pontaoe ..... 24/614
- 7,426,771 B2 \* 9/2008 Patrizi et al. .... 24/307
- 2006/0085953 A1 \* 4/2006 Chen ..... 24/115 G
- 2006/0168782 A1 \* 8/2006 Pontaoe ..... 24/614
- 2008/0028579 A1 \* 2/2008 Chen ..... 24/625

\* cited by examiner

*Primary Examiner*—Holly H Baynham

*Assistant Examiner*—Sheryl Lane

(74) *Attorney, Agent, or Firm*—Harness, Dickey & Pierce

(57) **CLAIM**

The ornamental design for a buckle assembly, as shown and described.

**DESCRIPTION**

FIG. 1 is a front perspective view of a buckle assembly in a closed (latched) position showing our new design;

FIG. 2 is a perspective view of the buckle assembly shown in FIG. 1 in a closed (latched) position;

FIG. 3 is a perspective view of the buckle assembly shown in FIG. 1 in an open (unlatched) position;

FIG. 4 is a top view of the buckle assembly shown in FIG. 1 in a closed (latched) position;

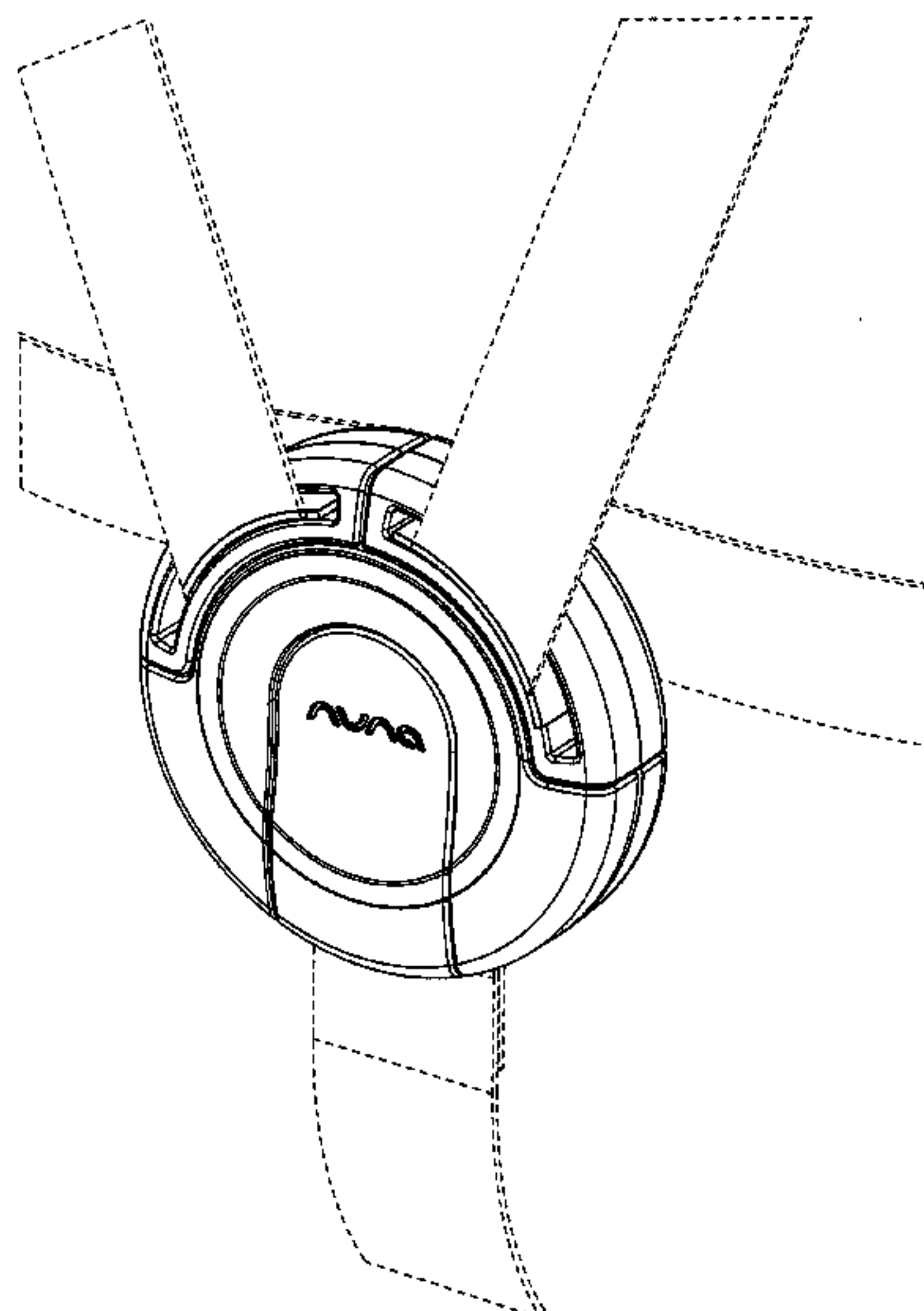
FIG. 5 is a bottom view of the buckle assembly shown in FIG. 1 in a closed (latched) position;

FIG. 6 is a top view of the buckle assembly shown in FIG. 1 in an open (unlatched) position; and,

FIG. 7 is a bottom view of the buckle assembly shown in FIG. 1 in an open (unlatched) position.

The broken line showing of the straps are included for the purpose of illustrating environmental structure and form no part of the claimed design.

**1 Claim, 5 Drawing Sheets**



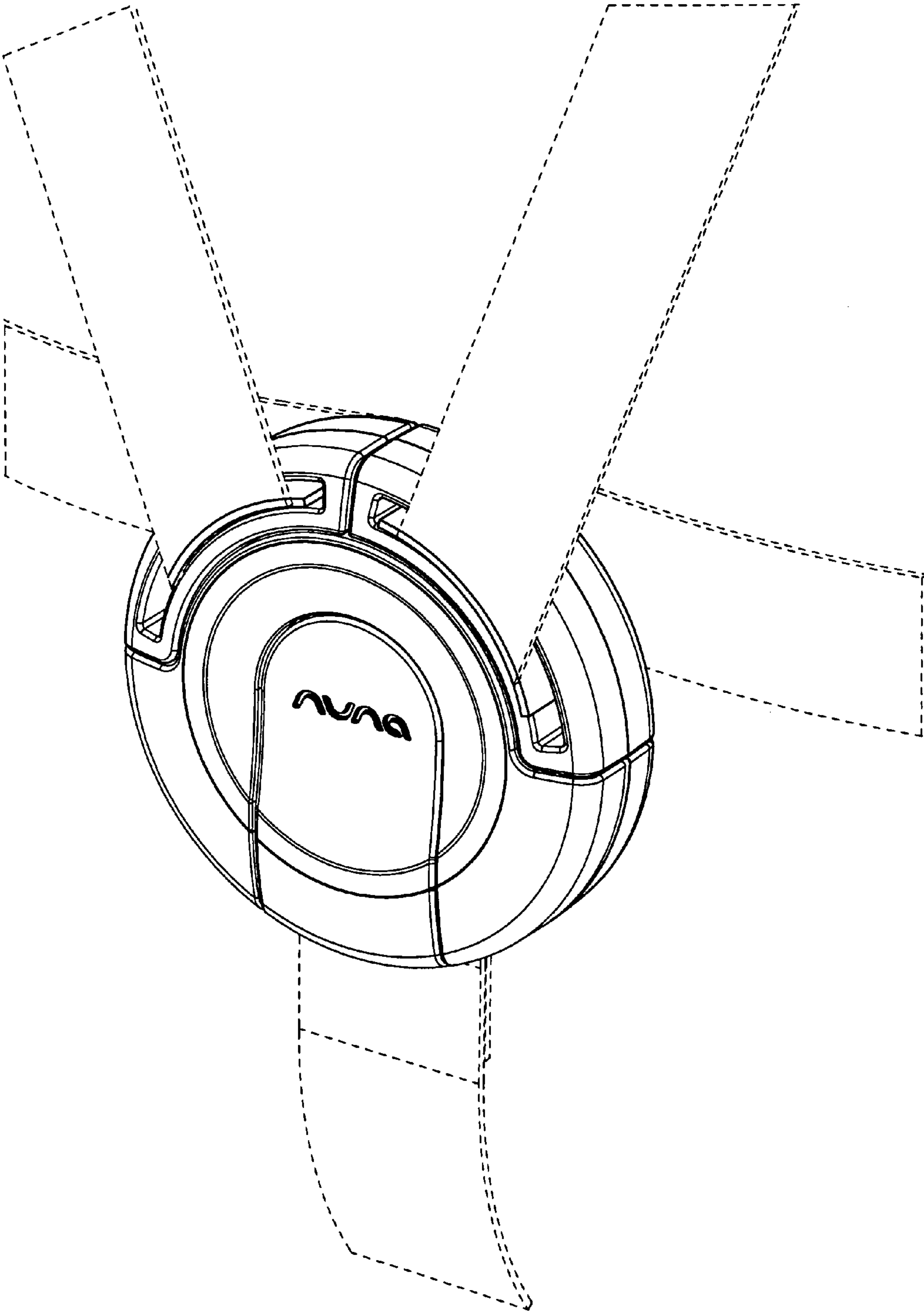
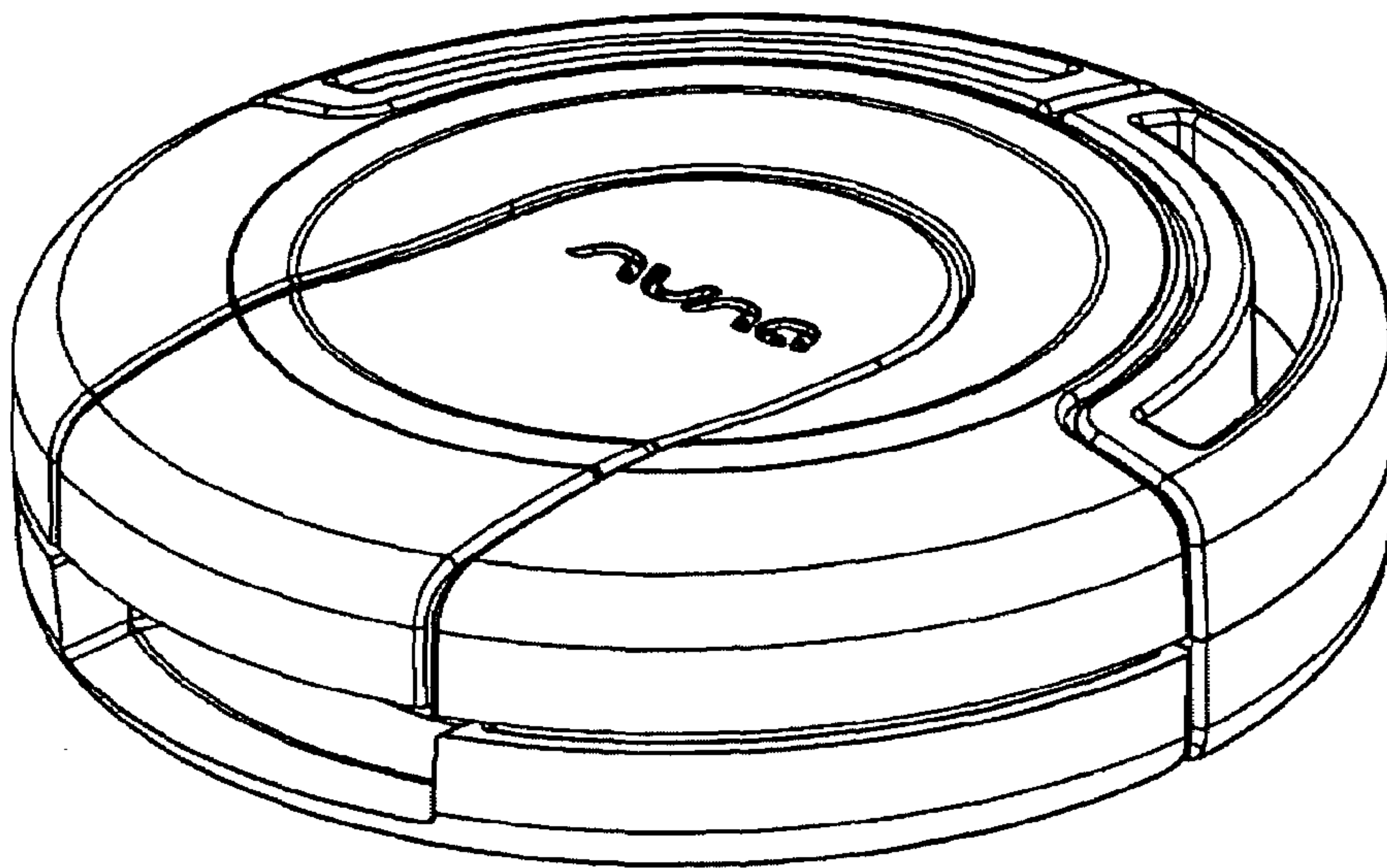


FIG. 1

FIG. 2



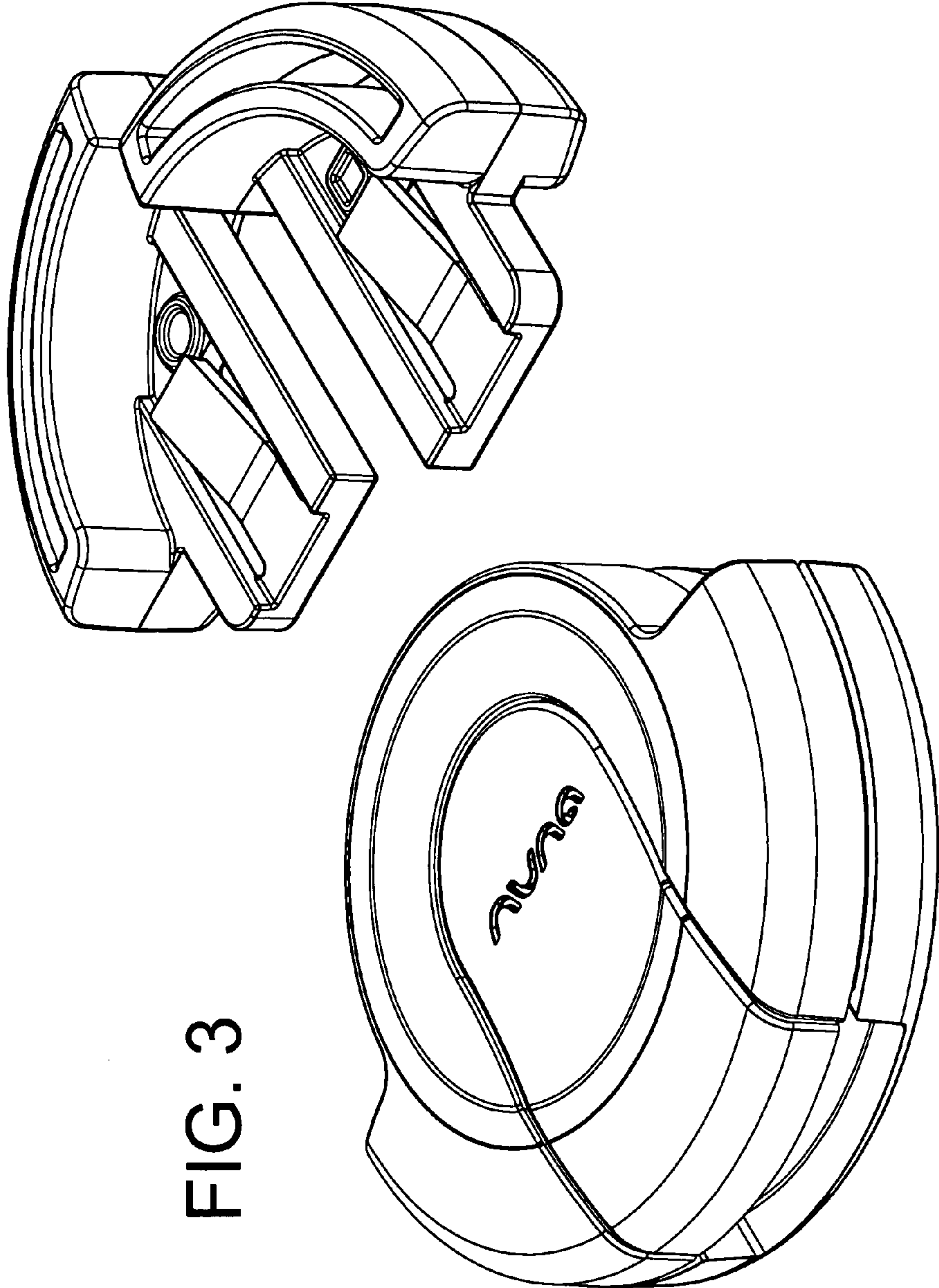


FIG. 3



FIG. 4

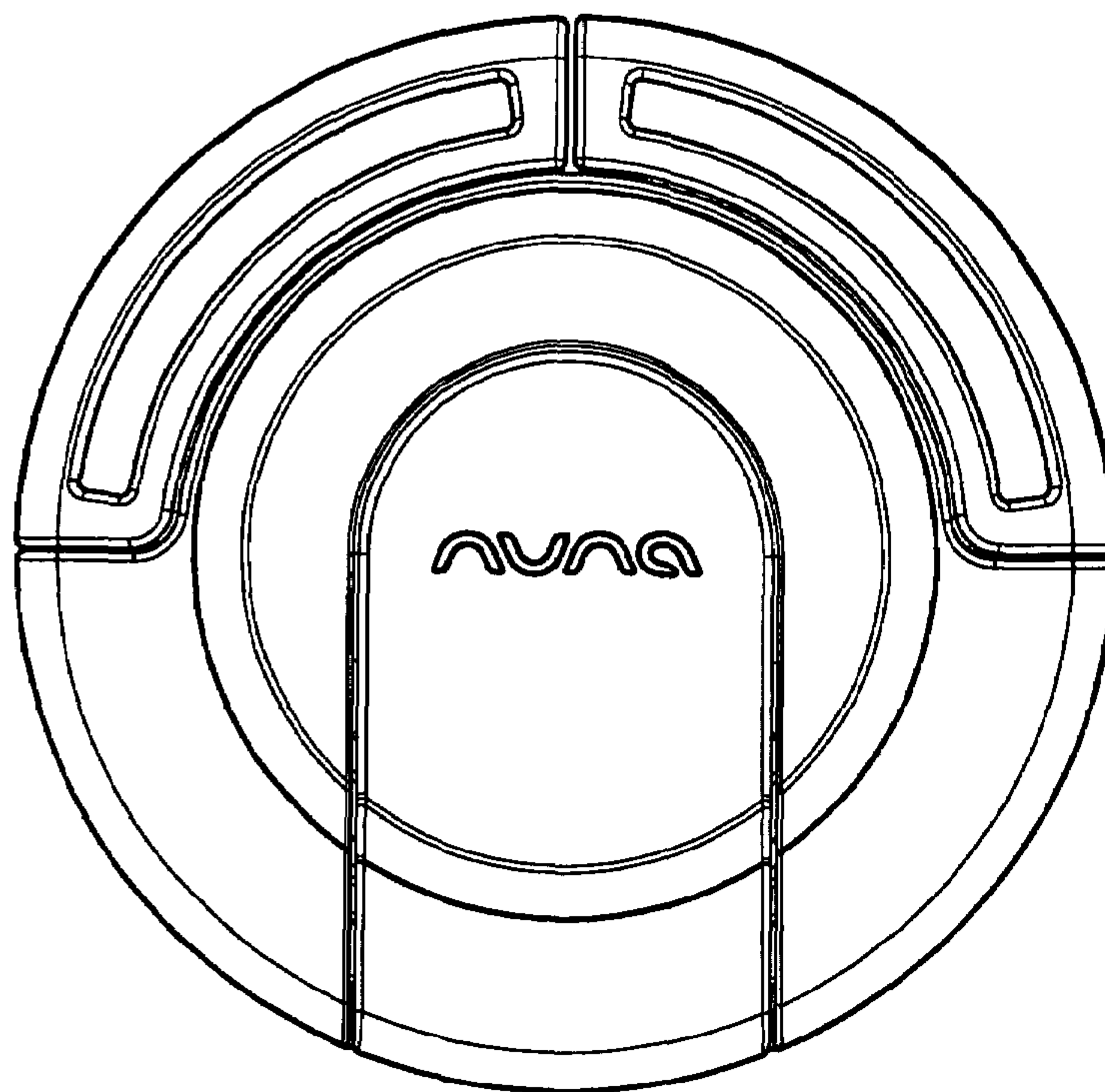


FIG. 5

