



US00D599690S

(12) **United States Design Patent**  
**Pohl et al.**

(10) **Patent No.:** **US D599,690 S**

(45) **Date of Patent:** **\*\* Sep. 8, 2009**

(54) **SCALE**

(75) Inventors: **Achim Pohl**, Seeheim-Jugenheim (DE);  
**Tomas Fiegl**, Darmstadt (DE)

(73) Assignee: **Sartorius AG**, Goettingen (DE)

(\*\*) Term: **14 Years**

(21) Appl. No.: **29/313,872**

(22) Filed: **Feb. 17, 2009**

(30) **Foreign Application Priority Data**

Aug. 22, 2008 (EP) ..... 000990213

(51) **LOC (9) Cl.** ..... **10-04**

(52) **U.S. Cl.** ..... **D10/91**

(58) **Field of Classification Search** ..... D10/91;  
177/4, 25.12-25.16, 177, 199, 210 R, 238-245,  
177/262, 210 C, 30, 126, 127, DIG. 3; 324/692,  
324/512, 515, 806; 606/506, 547

See application file for complete search history.

(56) **References Cited**

**U.S. PATENT DOCUMENTS**

5,874,694 A \* 2/1999 Ruedisueeli ..... 177/180  
6,246,018 B1 \* 6/2001 Schink ..... 177/180  
D458,859 S \* 6/2002 Dwertmann ..... D10/91  
6,633,007 B1 \* 10/2003 Luchinger et al. .... 177/126

6,844,507 B2 \* 1/2005 Leisinger et al. .... 177/180

D514,966 S \* 2/2006 Leisinger et al. .... D10/91

6,995,323 B2 \* 2/2006 Kunzi et al. .... 177/25.13

7,423,226 B2 \* 9/2008 Rotach et al. .... 177/180

D587,608 S \* 3/2009 Marmier ..... D10/91

\* cited by examiner

*Primary Examiner*—Antoine D Davis

(74) *Attorney, Agent, or Firm*—Anthony J. Casella; Gerlad E. Hespos

(57) **CLAIM**

The ornamental design for a scale, as shown and described.

**DESCRIPTION**

FIG. 1 is a perspective view of a scale showing the new design;

FIG. 2 is a front elevational view thereof;

FIG. 3 is a right-side elevational view thereof, an elevational view of the left side being a mirror image;

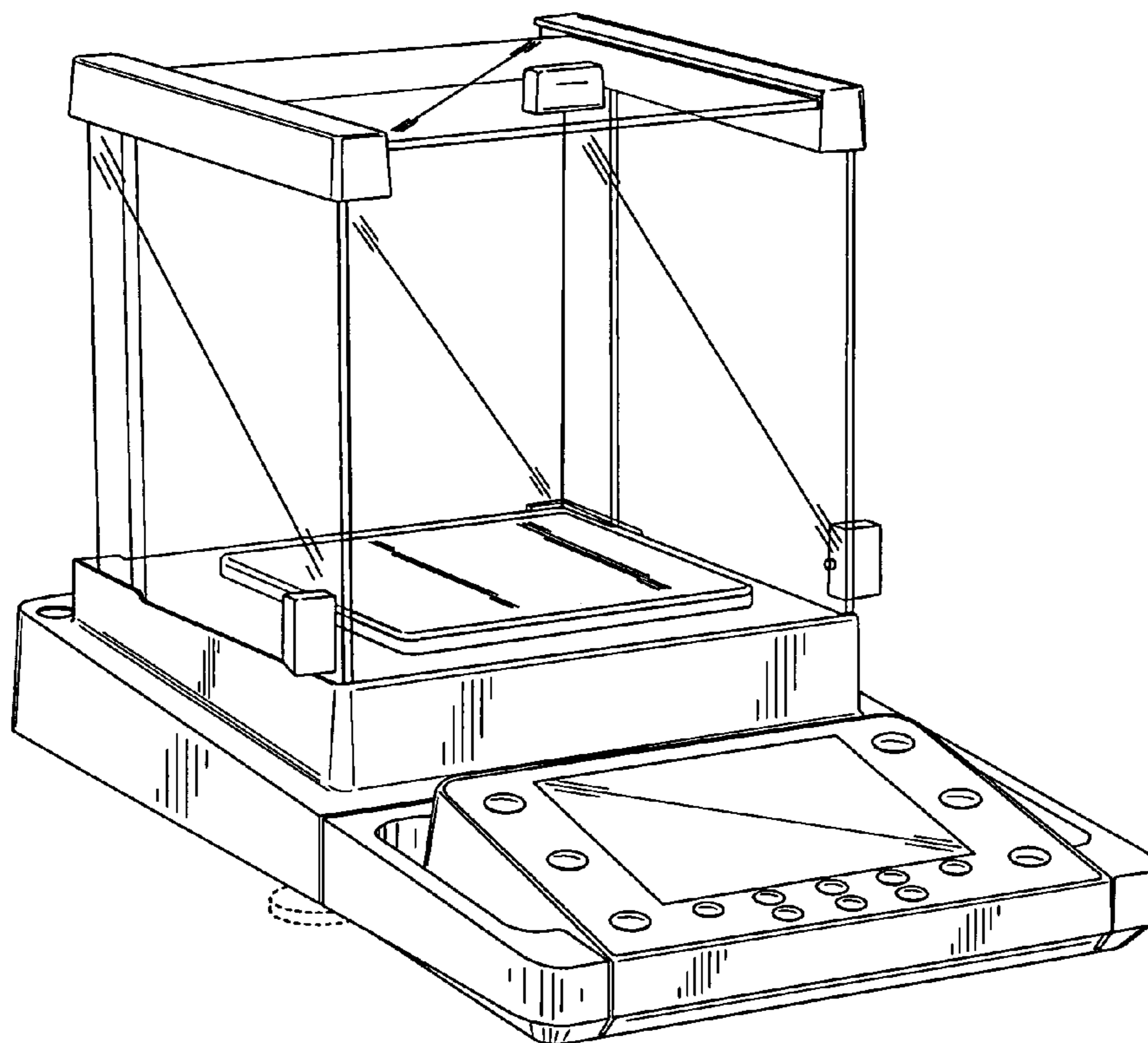
FIG. 4 is a rear view thereof;

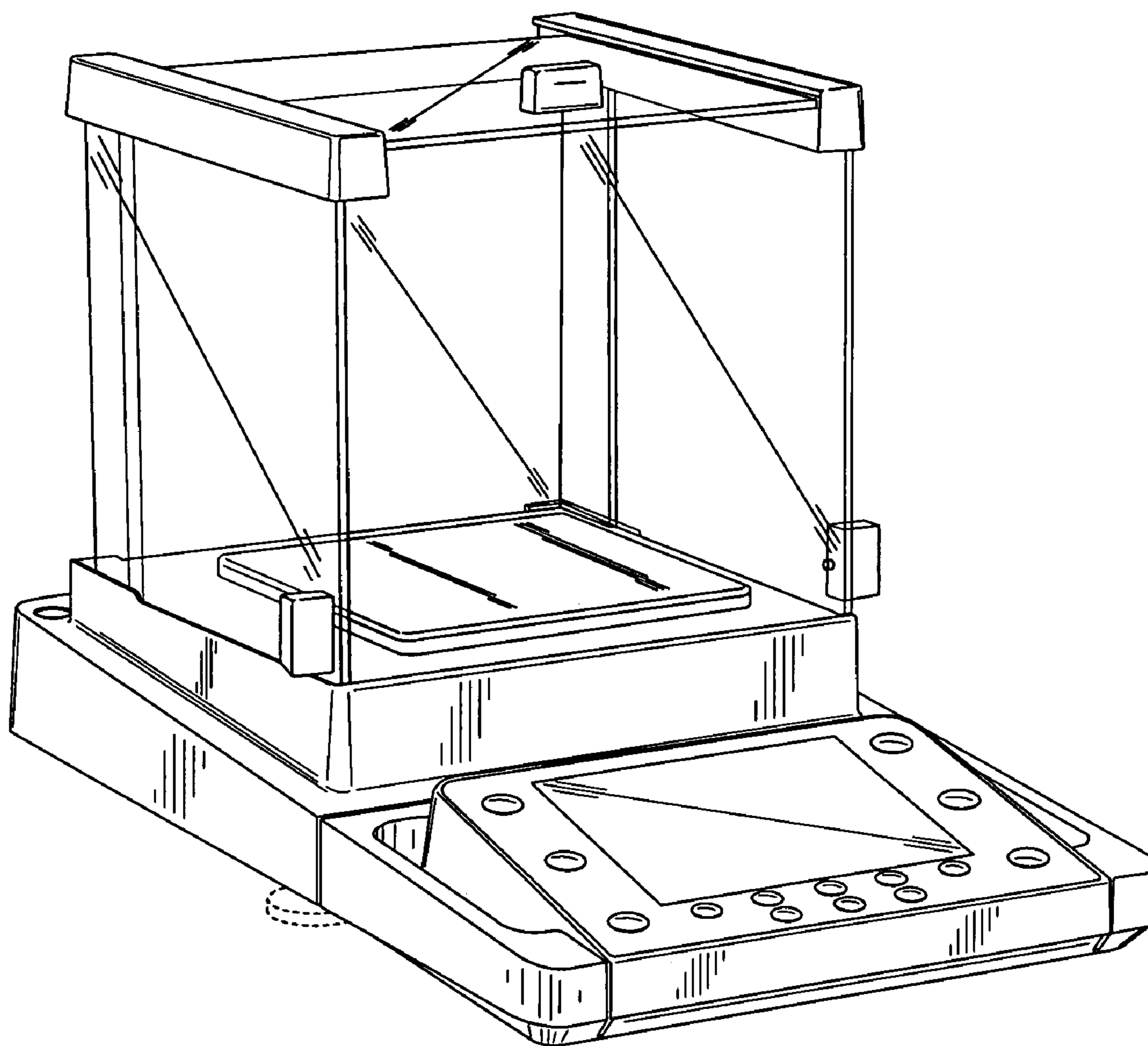
FIG. 5 is a top plan view thereof; and,

FIG. 6 is a bottom plan view thereof.

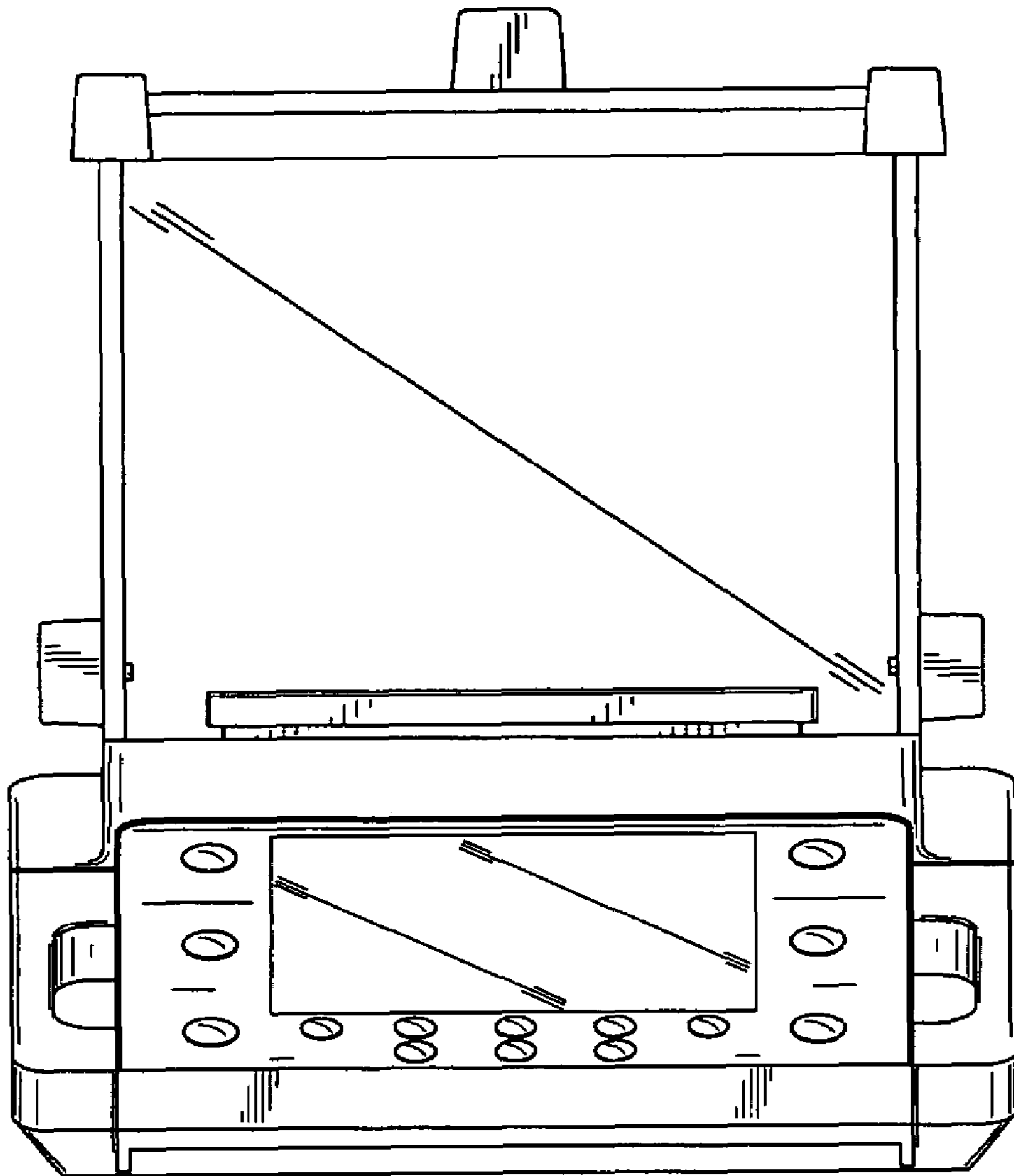
The portion shown in dashed lines forms no part of the claimed design.

**1 Claim, 6 Drawing Sheets**





**FIG. 1**



**FIG. 2**

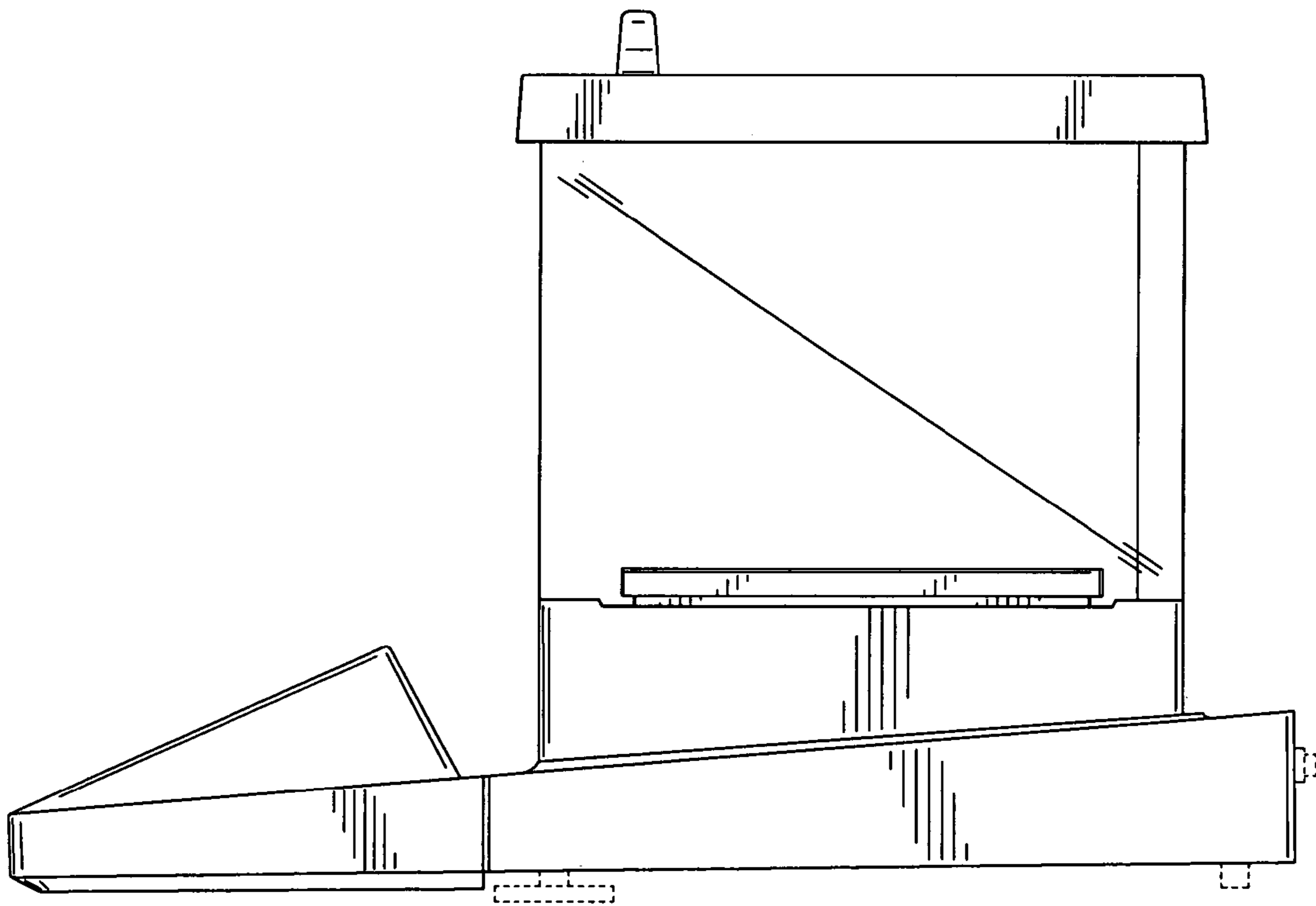
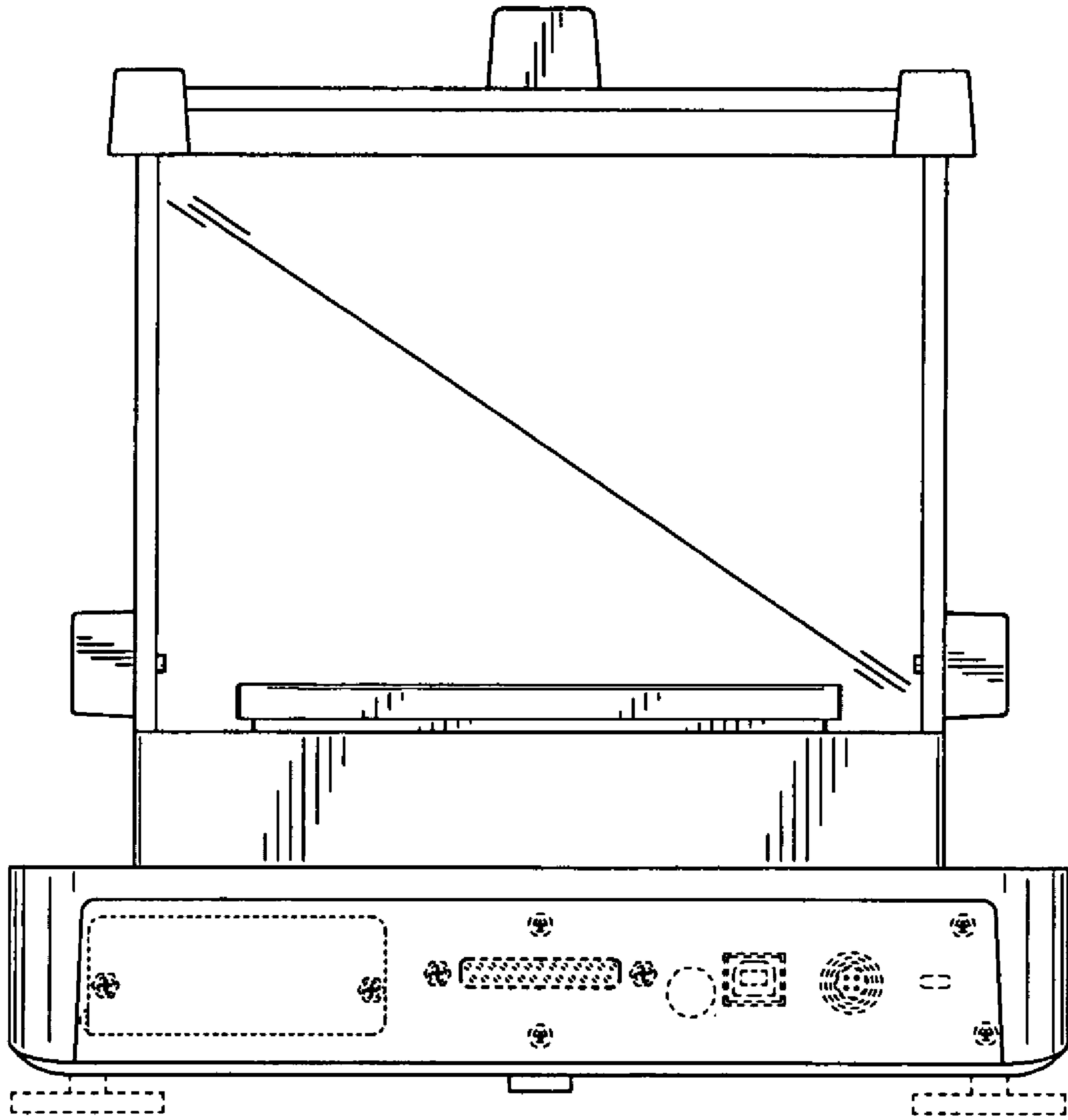
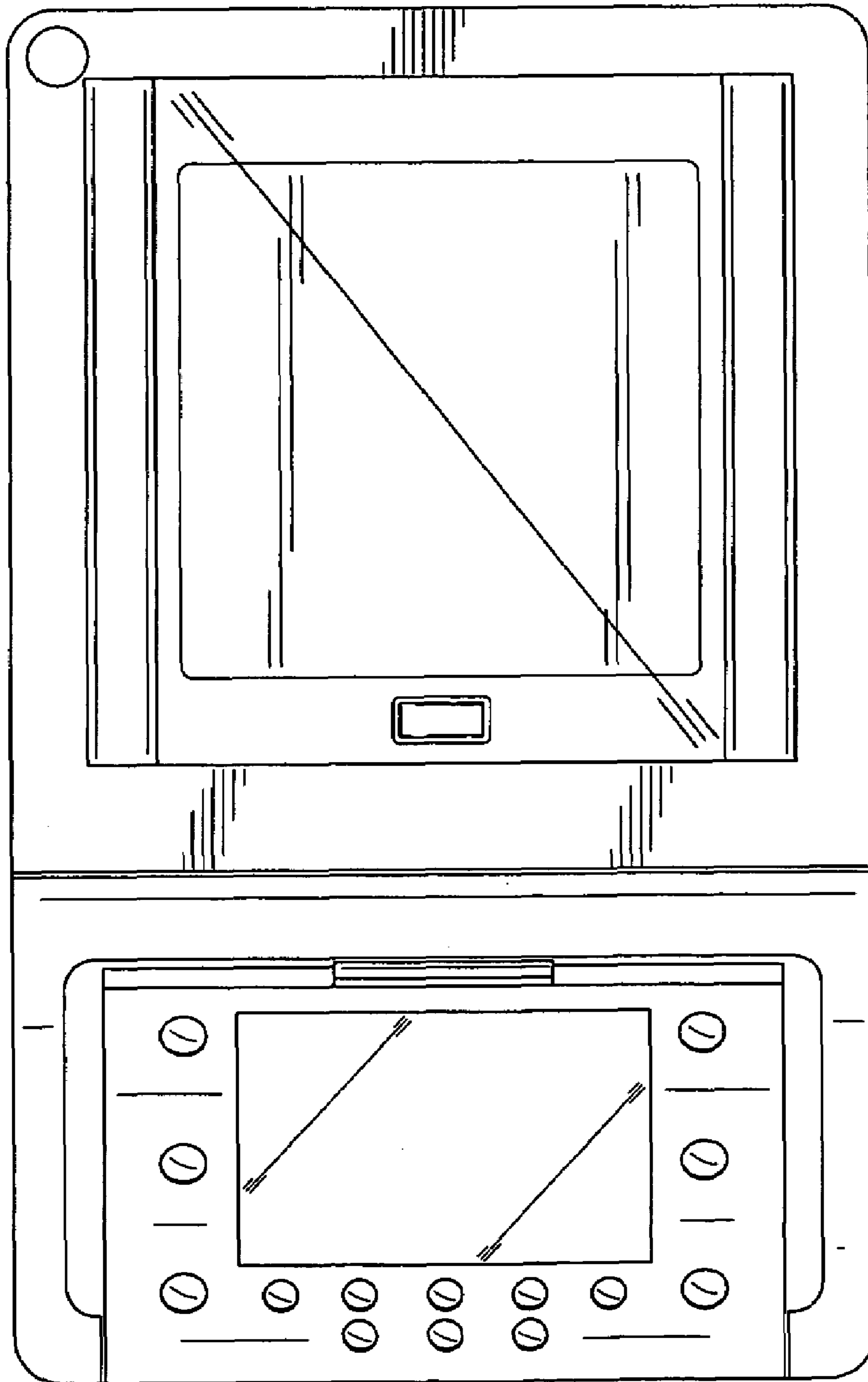


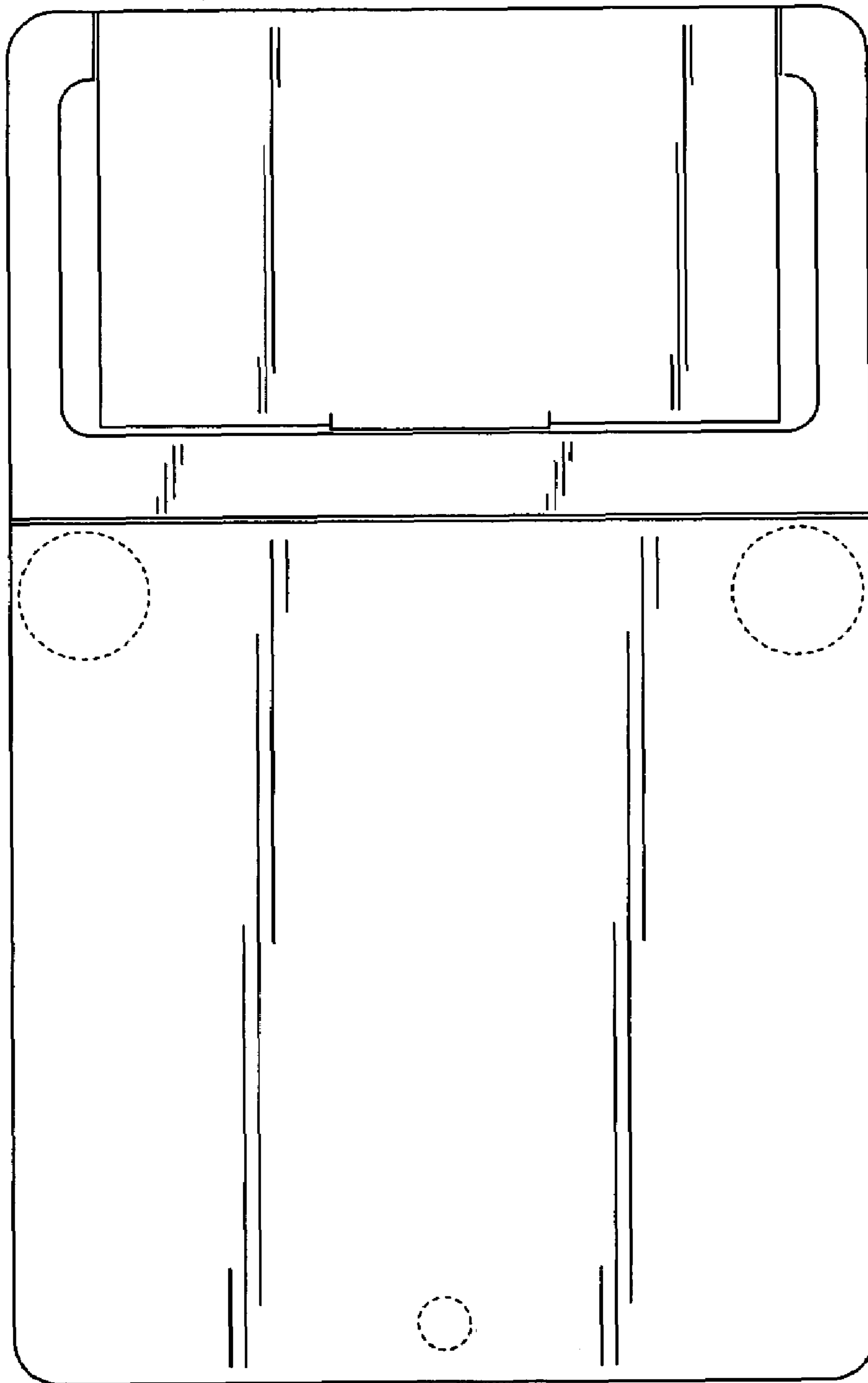
FIG. 3



**FIG. 4**



**FIG. 5**



**FIG. 6**