



US00D599687S

(12) **United States Design Patent**
Thomsen

(10) **Patent No.:** **US D599,687 S**

(45) **Date of Patent:** **** Sep. 8, 2009**

(54) **JOGBOX HAND GRIP**

D541,685 S * 5/2007 Bradford D10/78
D563,249 S * 3/2008 Chen et al. D10/78

(75) Inventor: **Mark Thomsen**, Rehoboth, MA (US)

* cited by examiner

(73) Assignee: **Hexagon Metrology, Inc.**, North
Kingstown, RI (US)

Primary Examiner—Antoine D Davis
(74) *Attorney, Agent, or Firm*—Wolf, Greenfield & Sacks,
P.C.

(**) Term: **14 Years**

(21) Appl. No.: **29/323,026**

(57) **CLAIM**

(22) Filed: **Aug. 15, 2008**

The ornamental design for a jogbox hand grip, as shown and described.

(51) **LOC (9) Cl.** **10-04**

(52) **U.S. Cl.** **D10/65; D10/80; D10/103;**
D10/78; D10/81

DESCRIPTION

(58) **Field of Classification Search** D10/65,
D10/78, 80, 81, 103; D14/203.3–203.8,
D14/341, 507, 137, 138 R, 138 AA, 138 AB,
D14/138 AC, 138 AD, 138 C, 138 G; 342/351,
342/419, 457, 357.06–357.16; 343/702;
345/87, 104, 133, 156, 168, 173, 901–905;
348/180, 184, 315, 739; 364/444, 499; 701/206–209,
701/213–214; D8/107

FIG. 1 is a top front right side perspective view of the jogbox hand grip;

FIG. 2 is a right side elevational view, the left side being a mirror image thereof;

FIG. 3 is a top plan view;

FIG. 4 is a bottom plan view;

FIG. 5 is a front elevational view;

FIG. 6 is a rear elevational view; and,

FIG. 7 is a cross-sectional view taken along line 7—7 of FIG. 3.

See application file for complete search history.

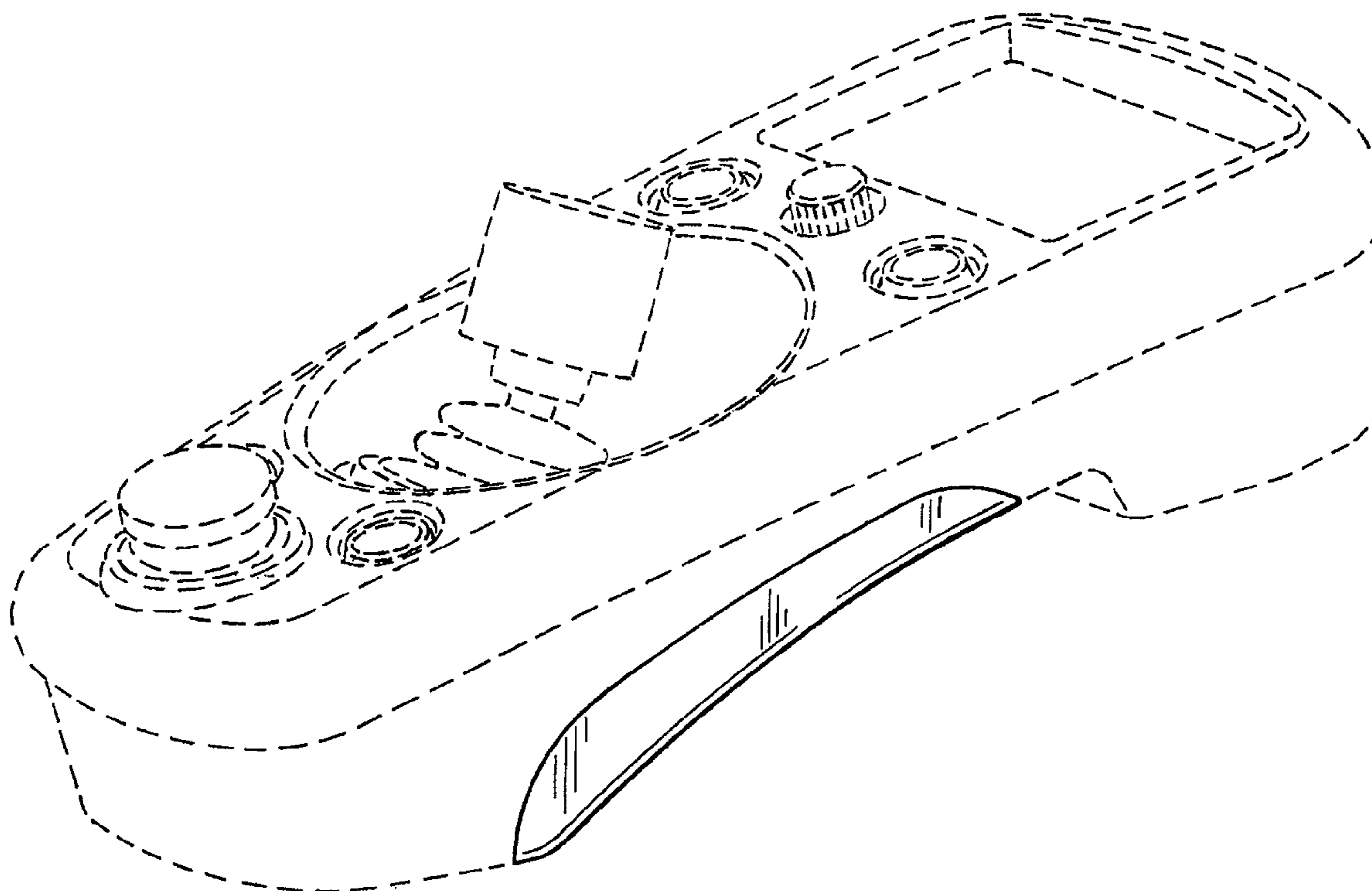
In the drawings, the dashed lines are for illustrative purposes only, and form no part of the claimed design.

(56) **References Cited**

U.S. PATENT DOCUMENTS

D429,273 S * 8/2000 Maree et al. D10/78
D458,167 S * 6/2002 Slocum et al. D10/81
D510,288 S * 10/2005 Arnoux et al. D10/78

1 Claim, 3 Drawing Sheets



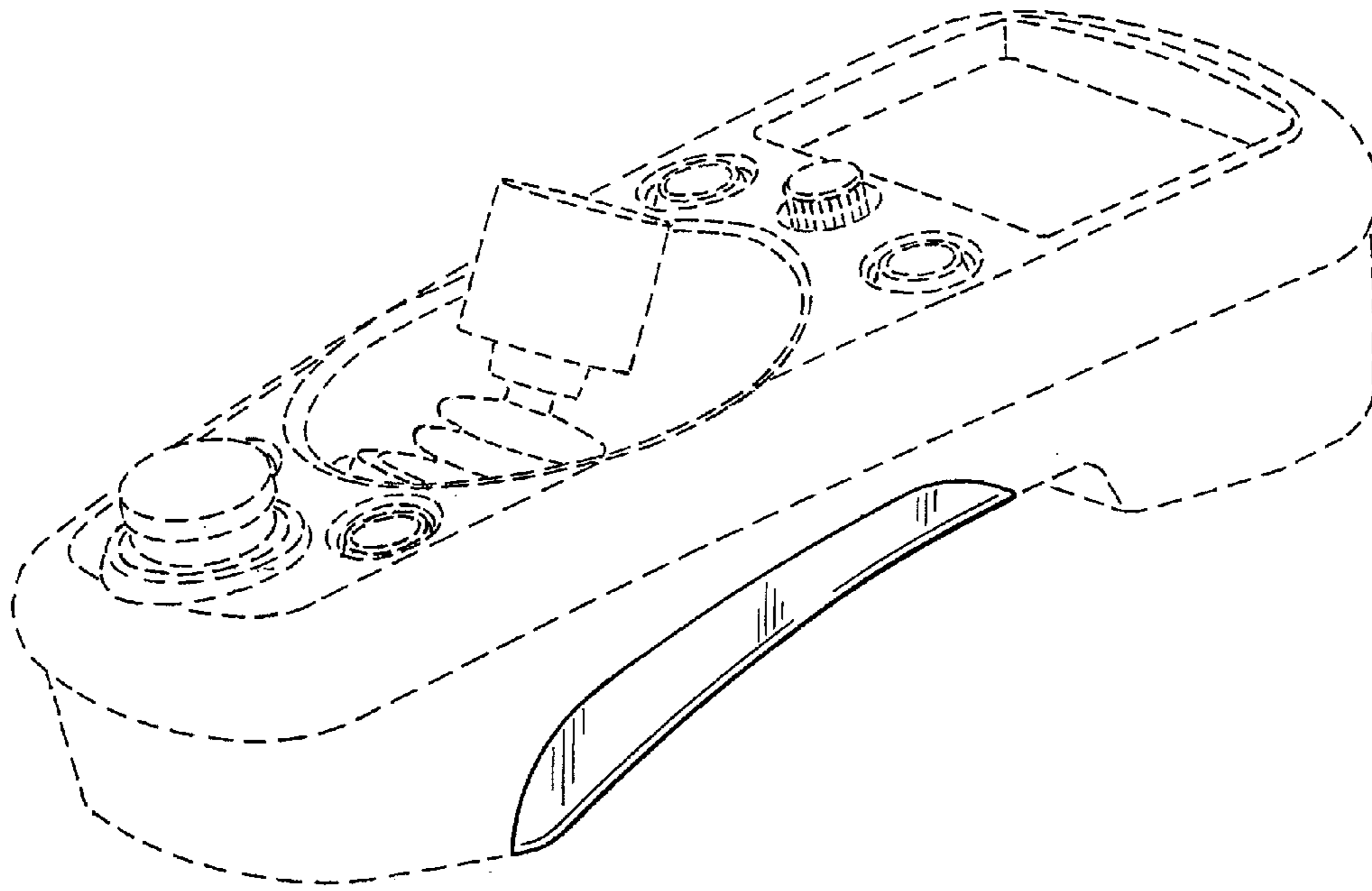


Fig. 1

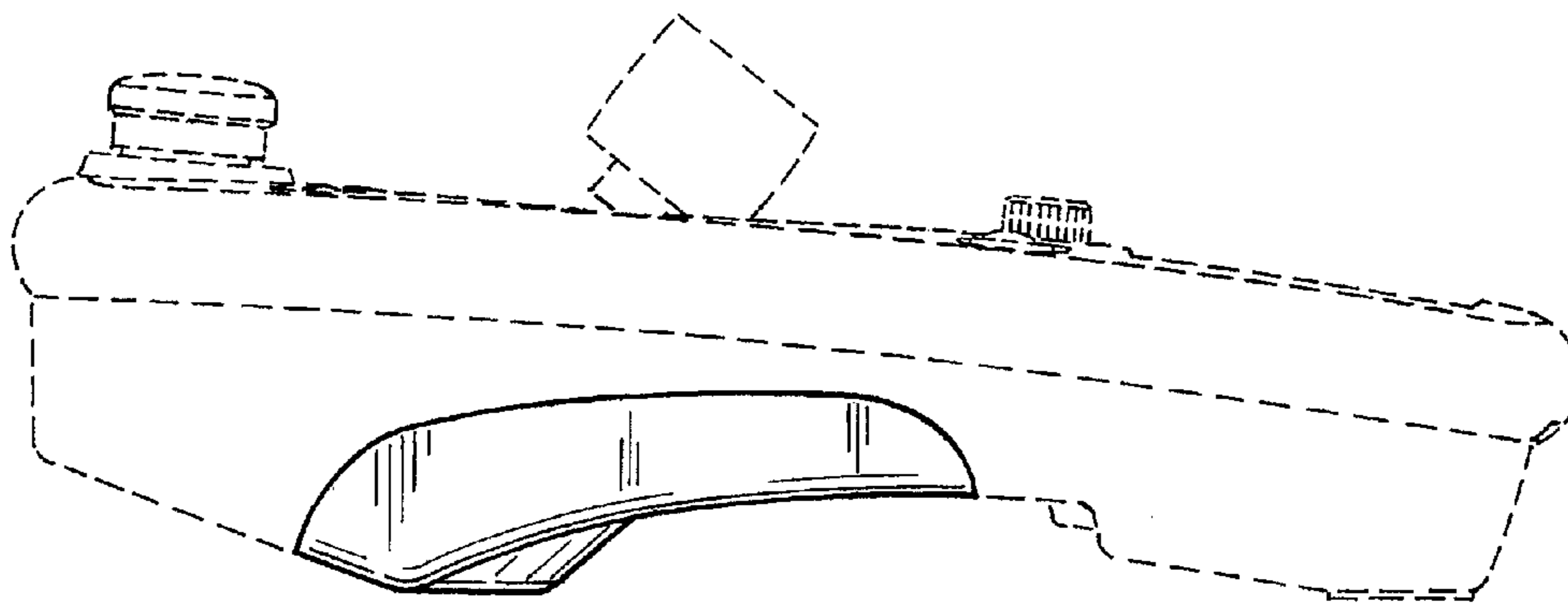


Fig. 2

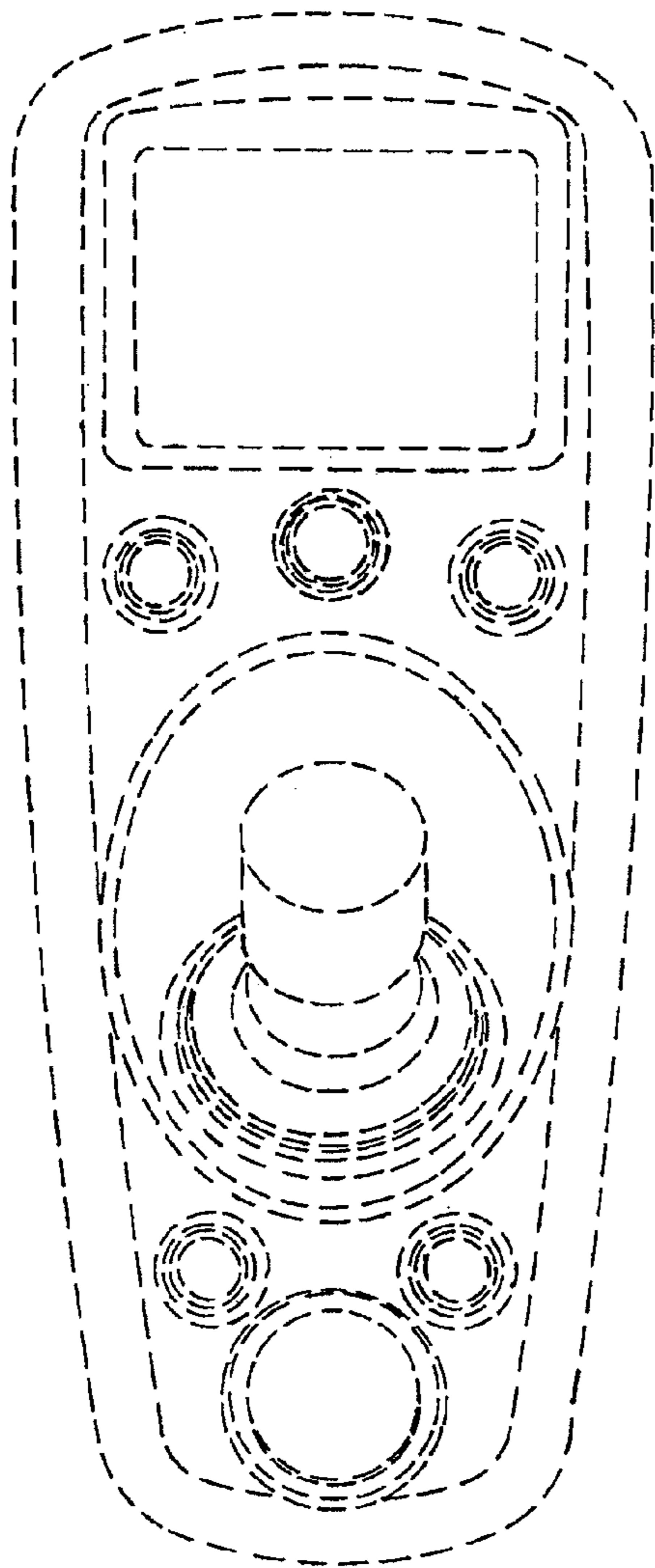


Fig. 3

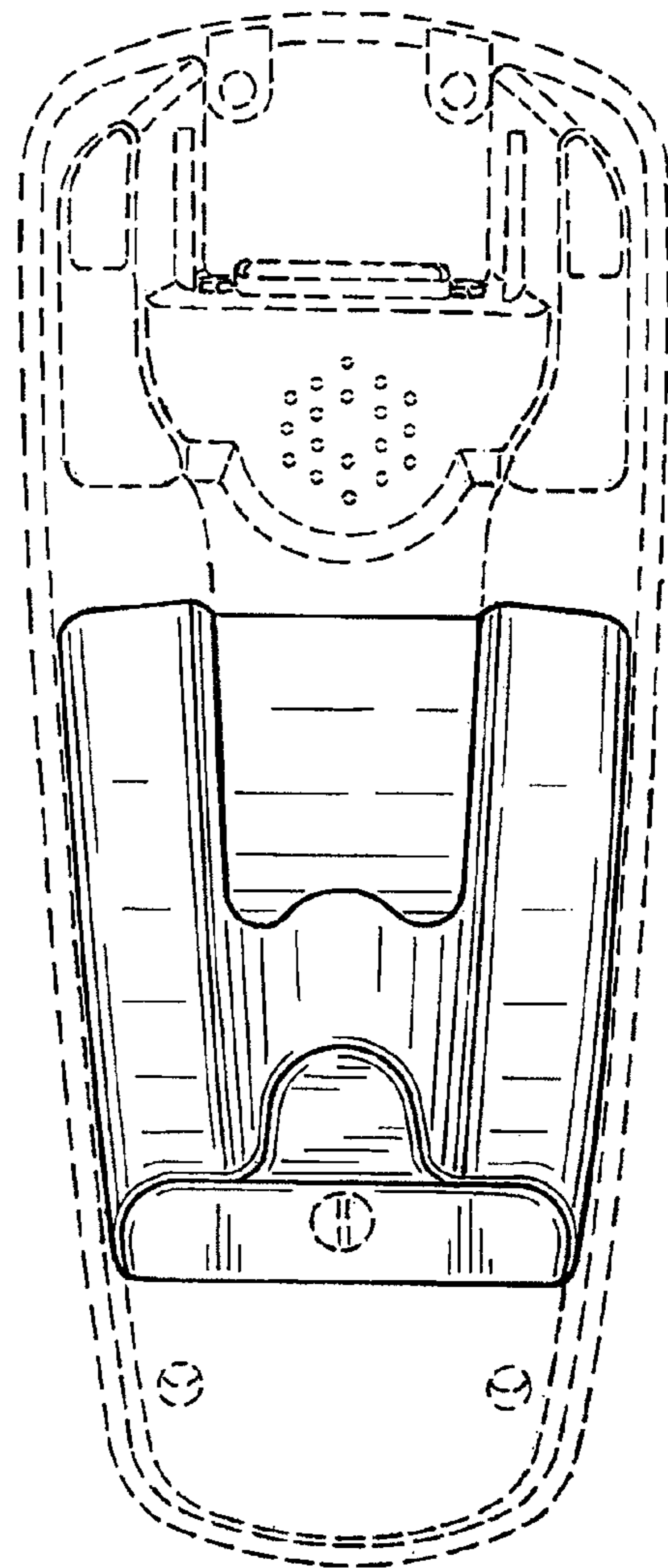


Fig. 4

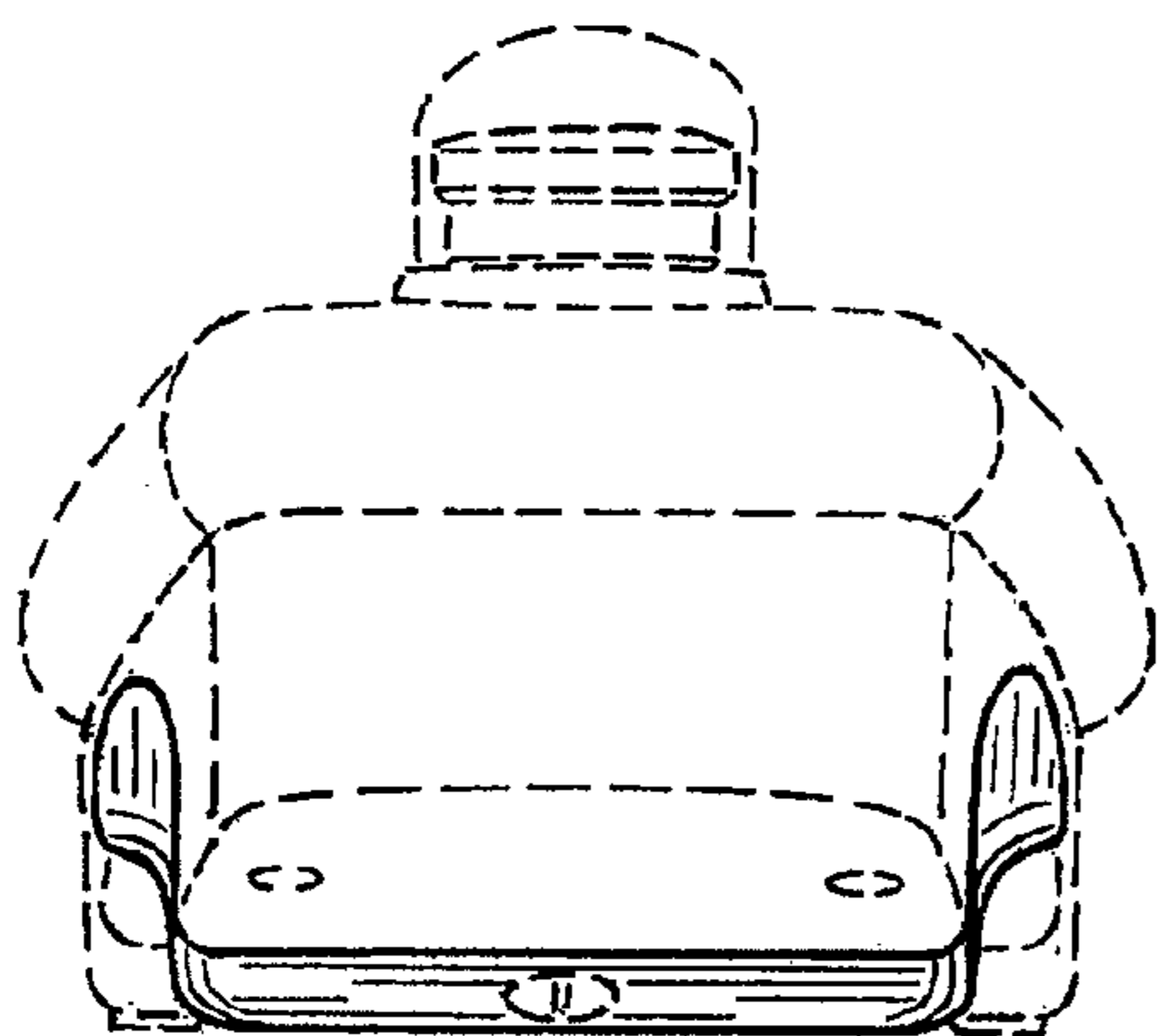


Fig. 5

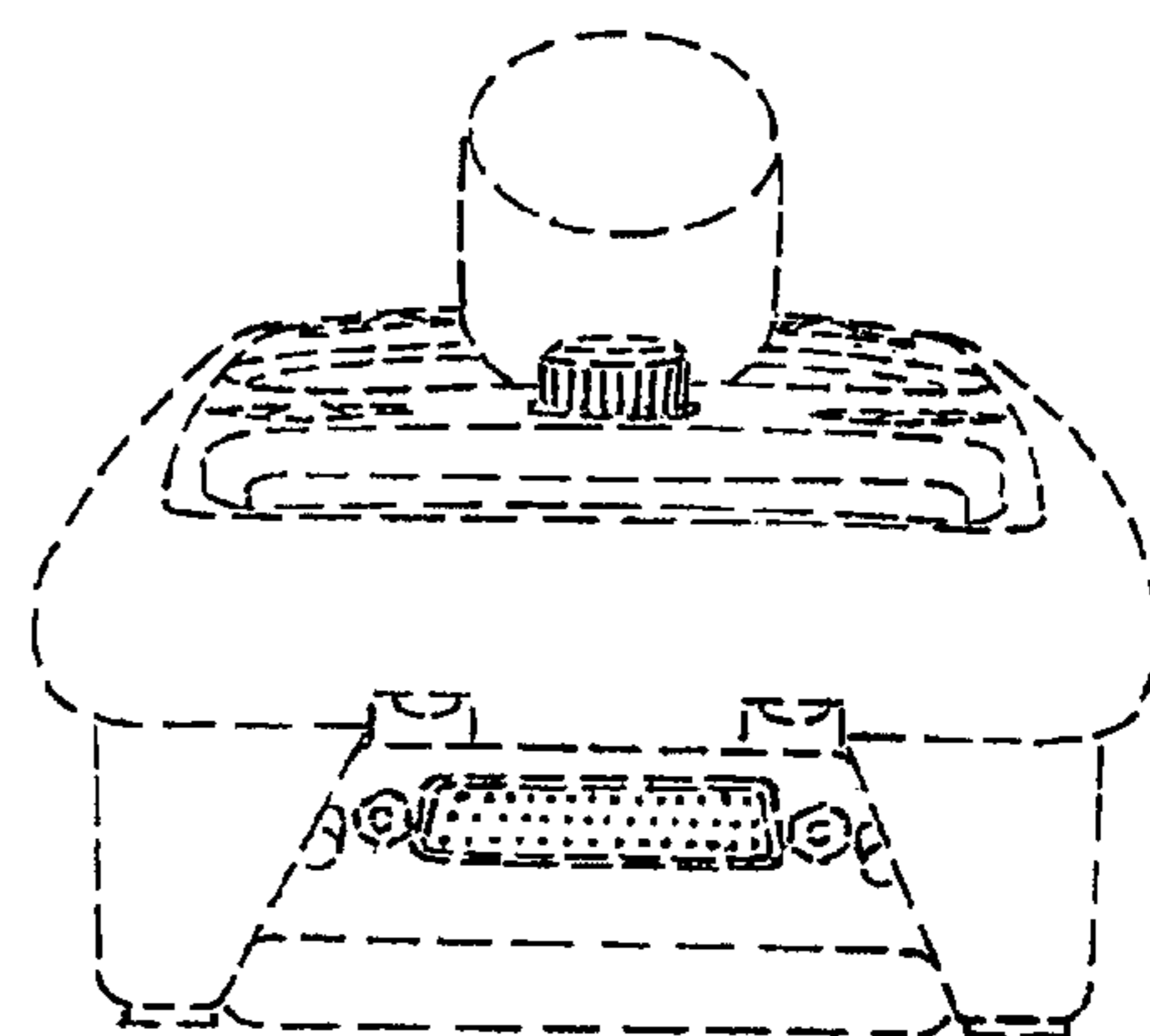


Fig. 6

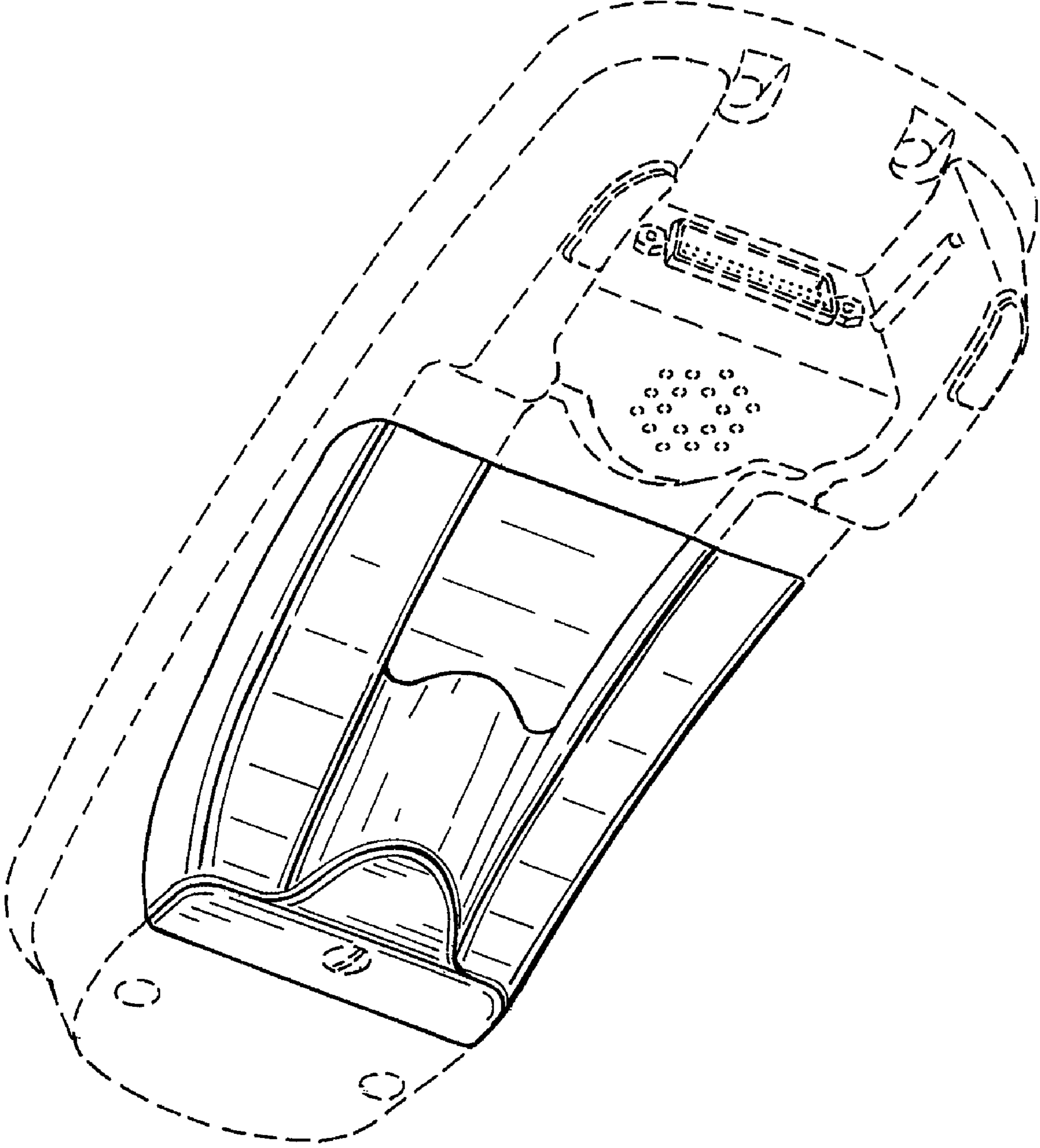


Fig. 7

UNITED STATES PATENT AND TRADEMARK OFFICE
CERTIFICATE OF CORRECTION

PATENT NO. : Des. 599,687 S
APPLICATION NO. : 29/323026
DATED : September 8, 2009
INVENTOR(S) : Mark Thomsen

Page 1 of 1

It is certified that error appears in the above-identified patent and that said Letters Patent is hereby corrected as shown below:

On the Title Pg., in the Item (Description), change "FIG. 7 is a cross-sectional view taken along line 7-7 of Fig. 3" to --FIG. 7 is a bottom rear right side perspective view.--

Signed and Sealed this

Twenty-fourth Day of November, 2009



David J. Kappos
Director of the United States Patent and Trademark Office