



US00D599681S

(12) **United States Design Patent**  
**Chen**

(10) **Patent No.:** **US D599,681 S**

(45) **Date of Patent:** **\*\* Sep. 8, 2009**

(54) **WATCH**

(75) **Inventor:** **Yi-Cheng Chen**, Taipei County (TW)

(73) **Assignee:** **Hannspree Inc.**, Taipei (TW)

(\*\*) **Term:** **14 Years**

(21) **Appl. No.:** **29/311,469**

(22) **Filed:** **Mar. 26, 2009**

(51) **LOC (9) Cl.** ..... **10-02**

(52) **U.S. Cl.** ..... **D10/32**

(58) **Field of Classification Search** ..... D10/30-39;  
368/276, 281, 282, 285; D11/3

See application file for complete search history.

(56) **References Cited**

**U.S. PATENT DOCUMENTS**

4,236,239	A	*	11/1980	Imgruth et al.	.....	368/72
D285,422	S	*	9/1986	Grimes	.....	D11/4
D297,312	S	*	8/1988	Ishizaka	.....	D10/32
D327,440	S	*	6/1992	Galli	.....	D11/32
D330,166	S	*	10/1992	Park	.....	D10/32
D375,053	S	*	10/1996	Voegeli	.....	D10/30
D401,181	S	*	11/1998	Houlihan	.....	D11/3
D407,334	S	*	3/1999	Stoll	.....	D10/32
D440,886	S	*	4/2001	Burgener	.....	D10/32

D484,814	S	*	1/2004	Sugiura	.....	D10/32
D526,215	S	*	8/2006	Calvani	.....	D10/38
D539,671	S	*	4/2007	Lassigne	.....	D10/32
D542,157	S	*	5/2007	Lafever et al.	.....	D10/32
D542,159	S	*	5/2007	Junod	.....	D10/38
D544,373	S	*	6/2007	Chodat	.....	D10/32
D580,277	S	*	11/2008	Brady et al.	.....	D10/32
D581,290	S	*	11/2008	Corchado	.....	D10/32

\* cited by examiner

*Primary Examiner*—Lucy Lieberman

(74) *Attorney, Agent, or Firm*—Rosenberg, Klein & Lee

(57) **CLAIM**

The ornamental design for a watch, substantially as shown.

**DESCRIPTION**

FIG. 1 is a perspective view of the watch;

FIG. 2 is a front view of the watch;

FIG. 3 is a back view of the watch;

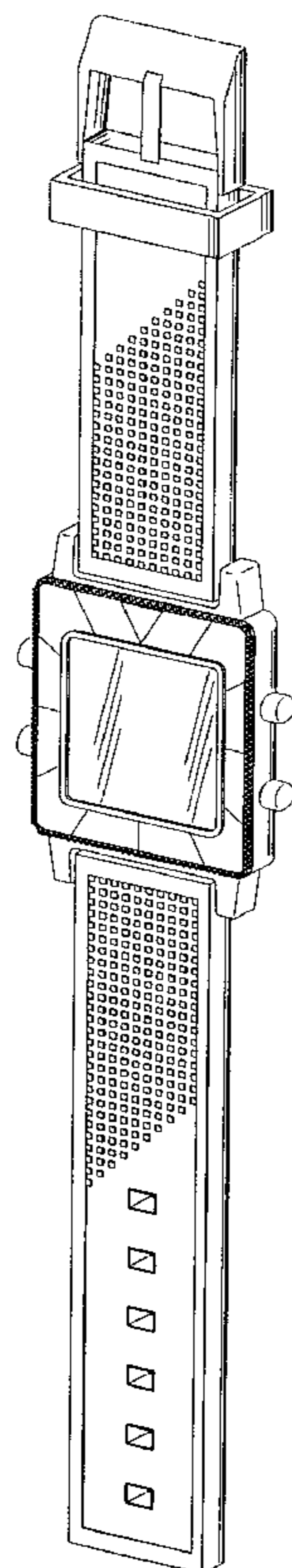
FIG. 4 is a left side view of the watch;

FIG. 5 is a right side view of the watch;

FIG. 6 is a top plan view of the watch; and,

FIG. 7 is a bottom plan view of the watch.

**1 Claim, 6 Drawing Sheets**



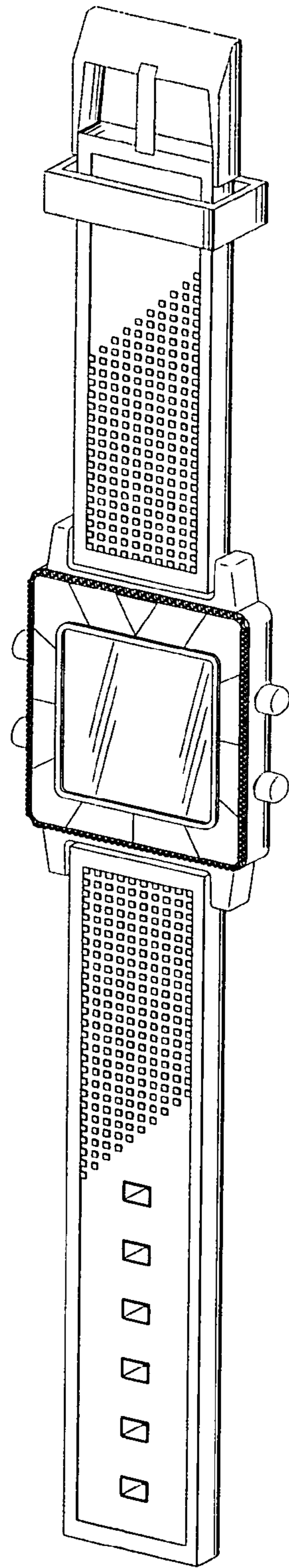


FIG.1

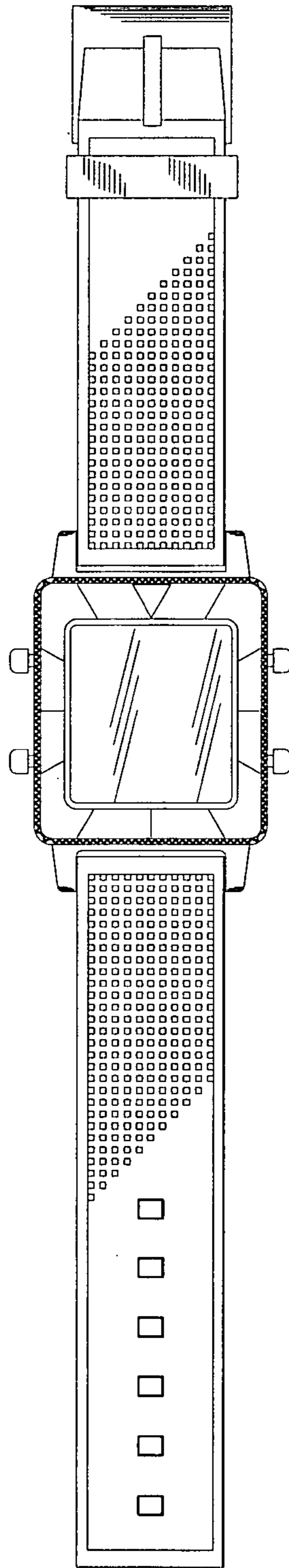


FIG.2

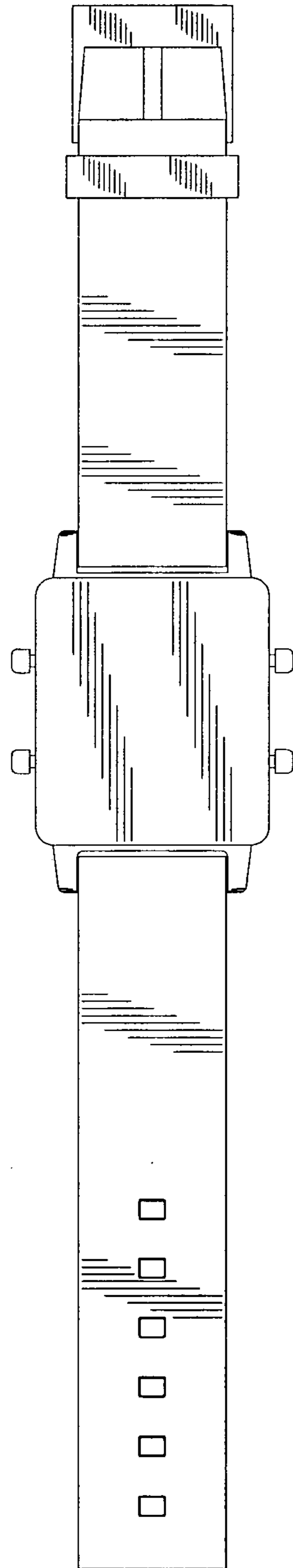


FIG.3

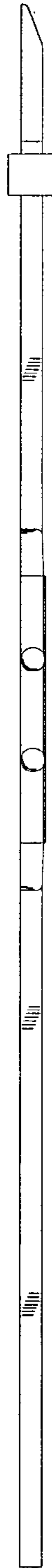


FIG.4

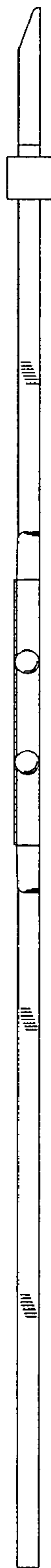


FIG.5

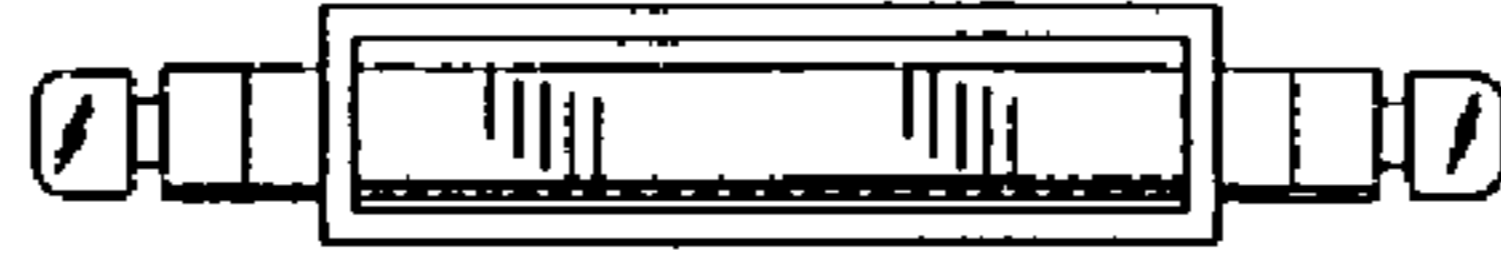


FIG. 6

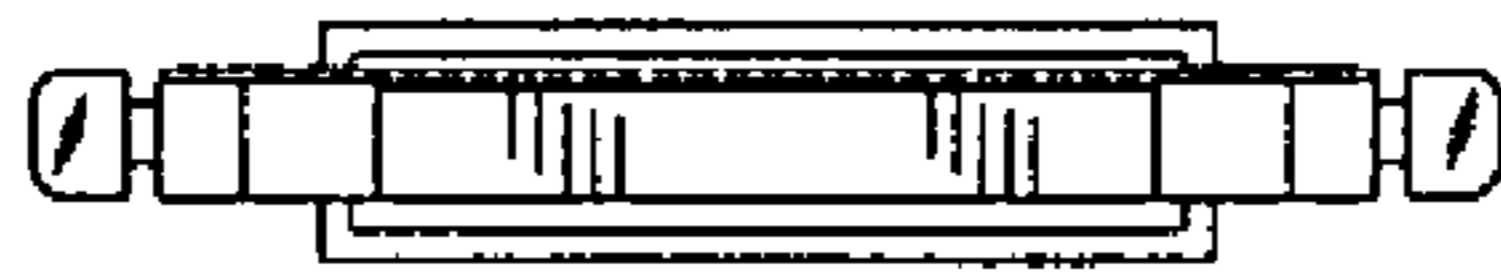


FIG. 7