



US00D599670S

(12) **United States Design Patent**
Qin

(10) **Patent No.:** **US D599,670 S**

(45) **Date of Patent:** **** Sep. 8, 2009**

(54) **HEALTH SUPPLEMENT CONTAINER**

2006/0011660 A1* 1/2006 Sandlin 222/321.9

(76) Inventor: **Jack Jie Qin**, 929 Radeck Ct., City of Industry, CA (US) 91748

* cited by examiner

Primary Examiner—Catherine Tuttle

(74) *Attorney, Agent, or Firm*—Raymond Y. Chan; David and Raymond Patent Firm

(**) Term: **14 Years**

(21) Appl. No.: **29/292,465**

(57) **CLAIM**

(22) Filed: **Oct. 12, 2007**

The ornamental design for a health supplement container, as shown and described.

(51) **LOC (9) Cl.** **09-01**

(52) **U.S. Cl.** **D9/529; D9/686**

(58) **Field of Classification Search** D9/682–694, D9/516–575, 435, 436, 447, 448, 423, 506–508; 215/236, 305, 306, 370, 379, 382; 220/660, 220/662, 665, 669; 222/153.1, 182, 321.6–321.9, 222/378, 379, 382, 401, 402, 402.1–402.25
See application file for complete search history.

DESCRIPTION

FIG. 1 is a perspective view of the health supplement container showing my new design.

FIG. 2 is a front view thereof.

FIG. 3 is a rear view thereof.

FIG. 4 is a right end view thereof.

FIG. 5 is a left end view thereof.

FIG. 6 is a top view thereof.

FIG. 7 is a bottom view thereof; and,

FIG. 8 is a perspective view showing an open position of my new design.

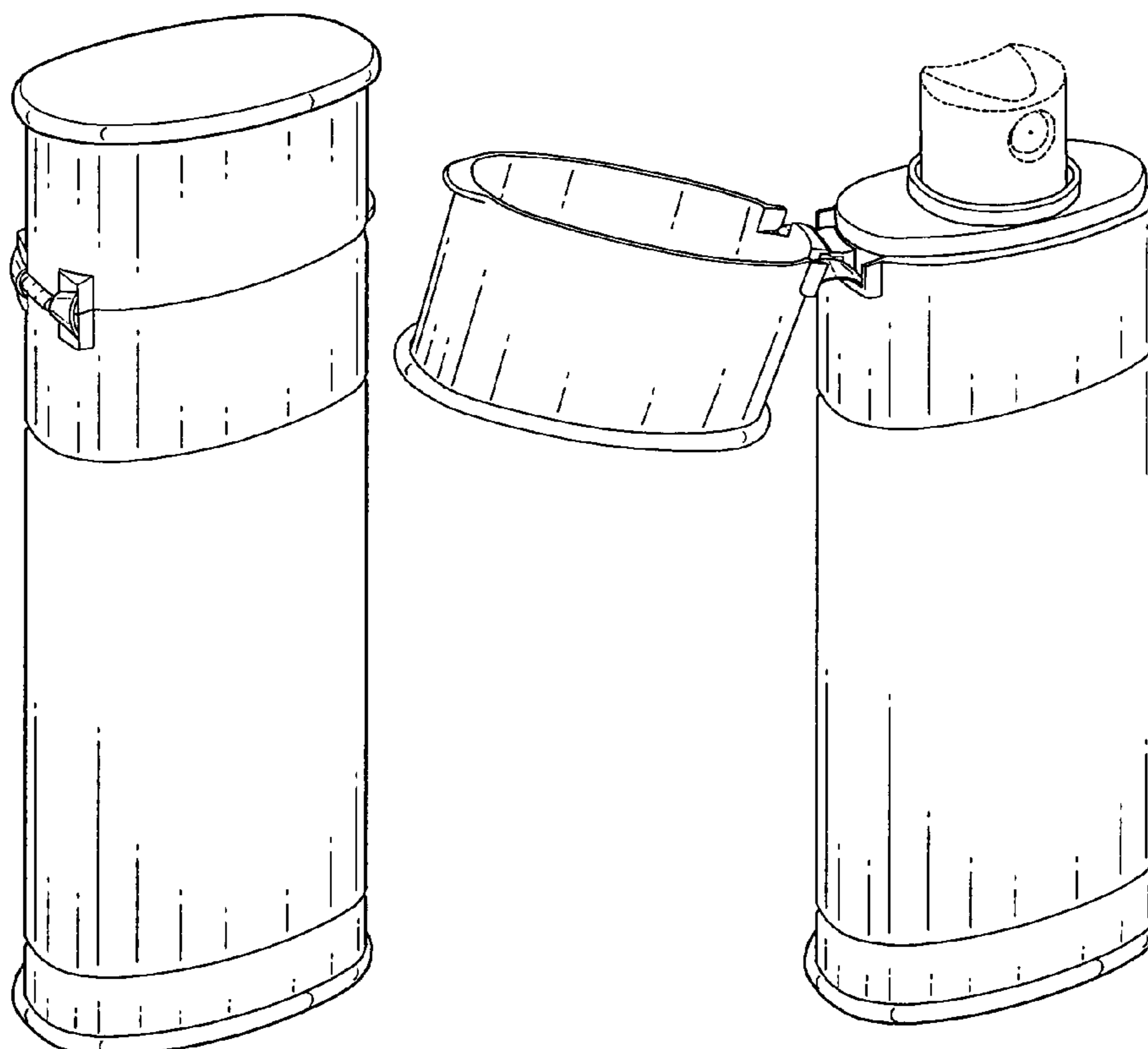
The broken lines shown in FIGS. 7 and 8 are included for the purpose of illustrating the bottom surface and dispenser nozzle portions of the health supplement container that form no part of the claimed design.

(56) **References Cited**

U.S. PATENT DOCUMENTS

D99,649 S *	5/1936	Mulhens	D9/542
4,676,408 A *	6/1987	Speitel	222/183
D340,185 S *	10/1993	Martone	D9/694
5,427,278 A *	6/1995	Gardner, III	222/129
D367,605 S *	3/1996	Moore	D9/686
D369,097 S *	4/1996	Dinand	D9/686
D395,829 S *	7/1998	Wacker et al.	D9/573
D451,377 S *	12/2001	Johnson et al.	D9/682
D521,230 S *	5/2006	Linz et al.	D3/202
D538,645 S *	3/2007	McDowell et al.	D9/432

1 Claim, 8 Drawing Sheets



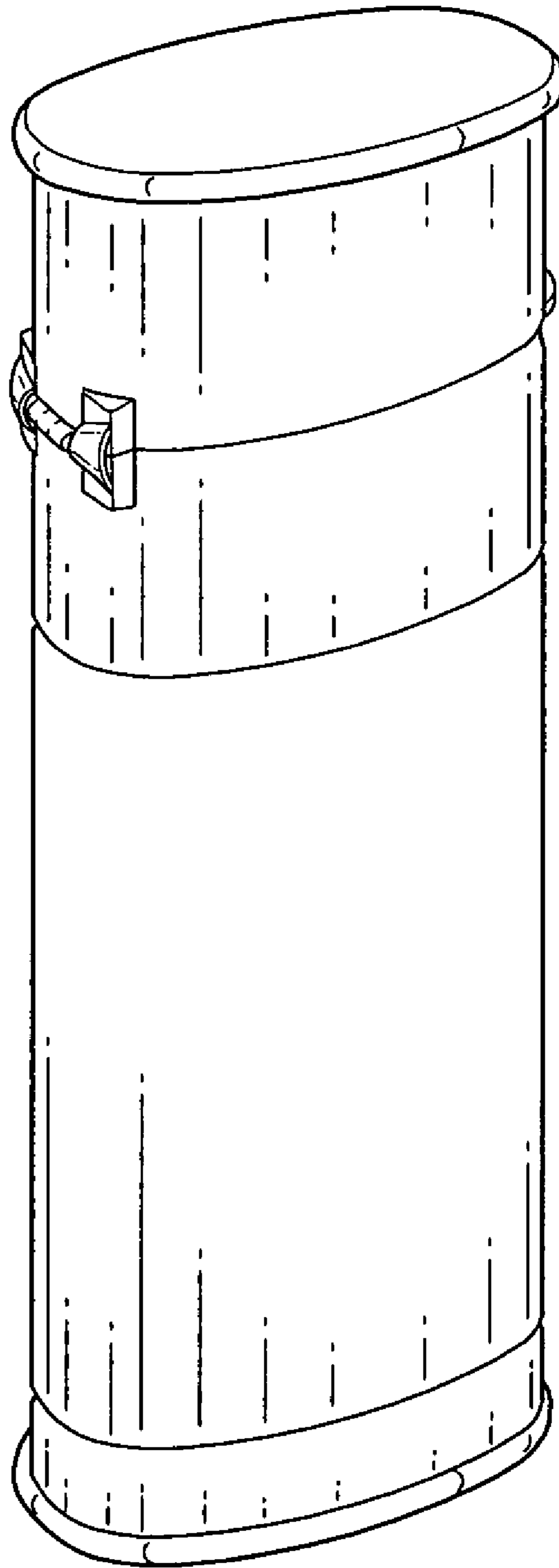


FIG. 1

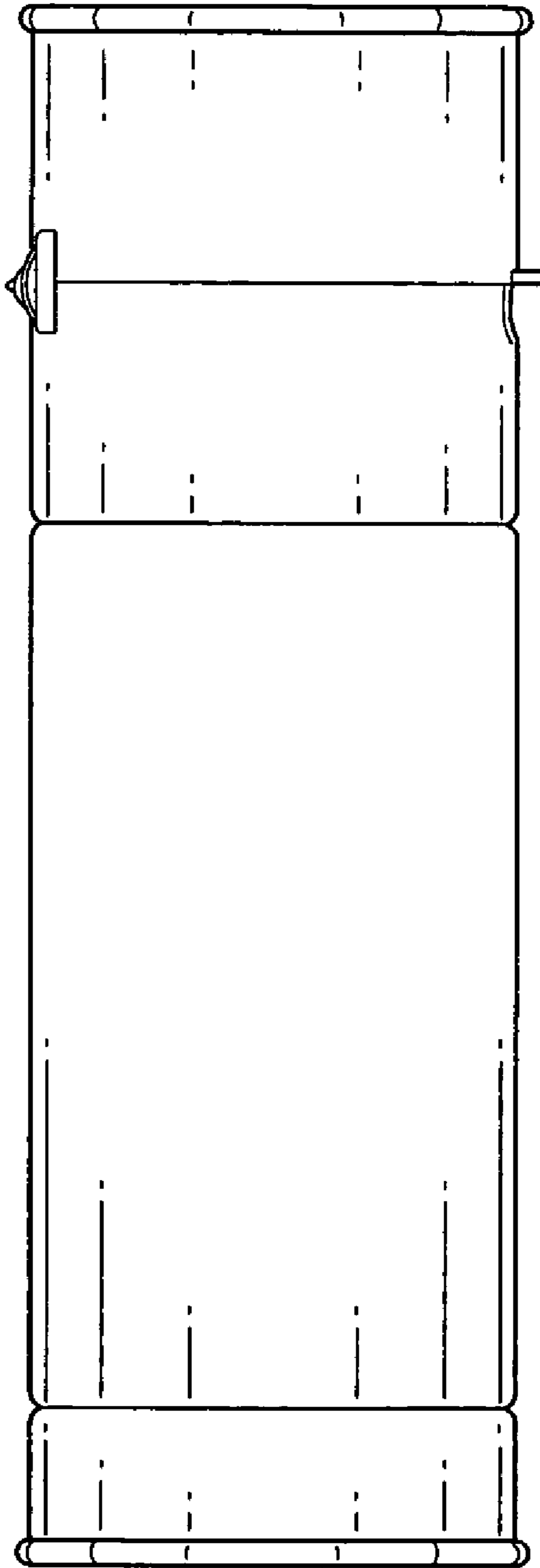


FIG. 2

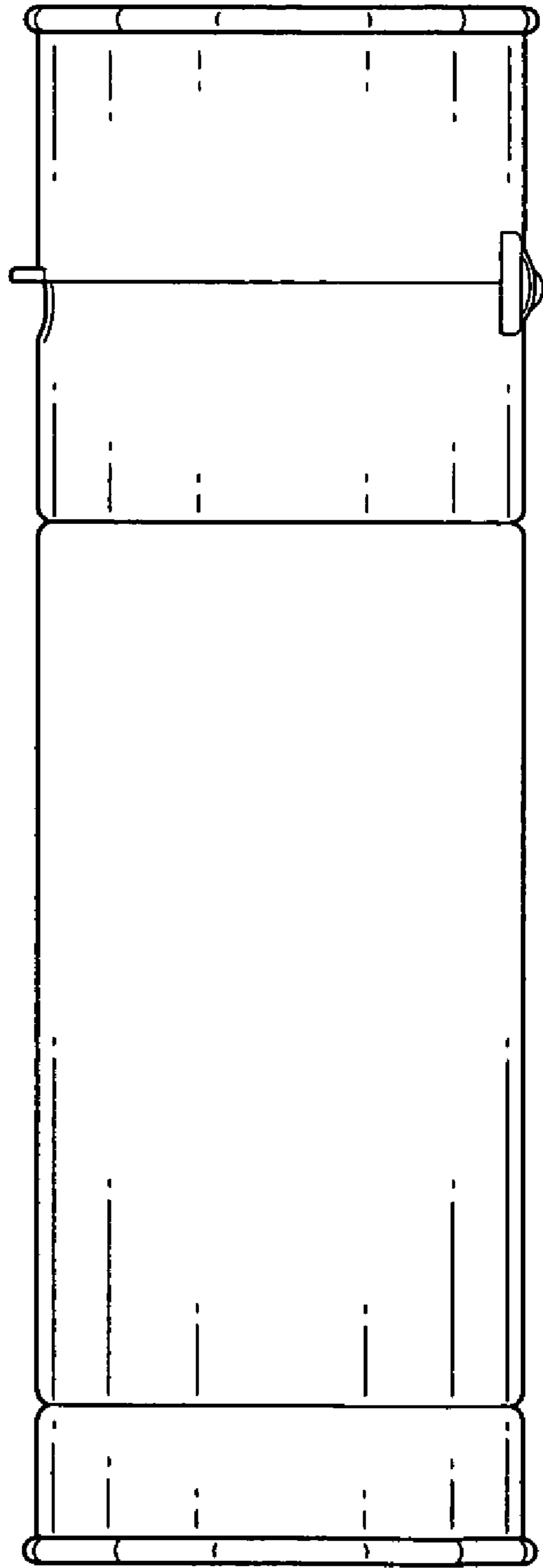


FIG. 3

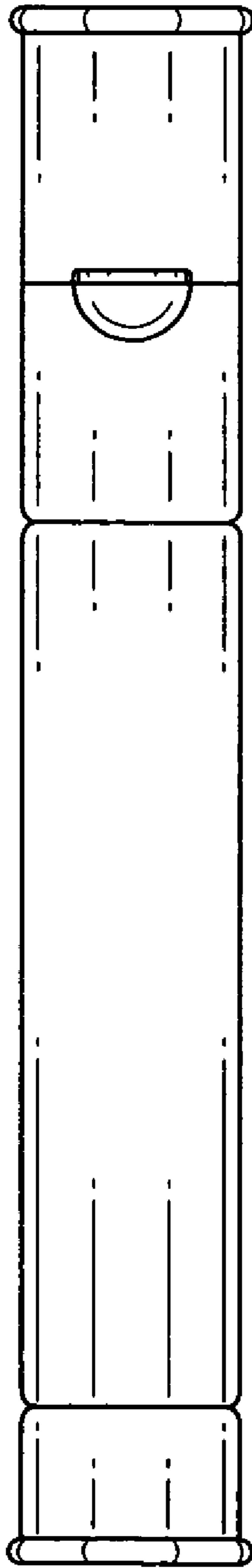


FIG. 4

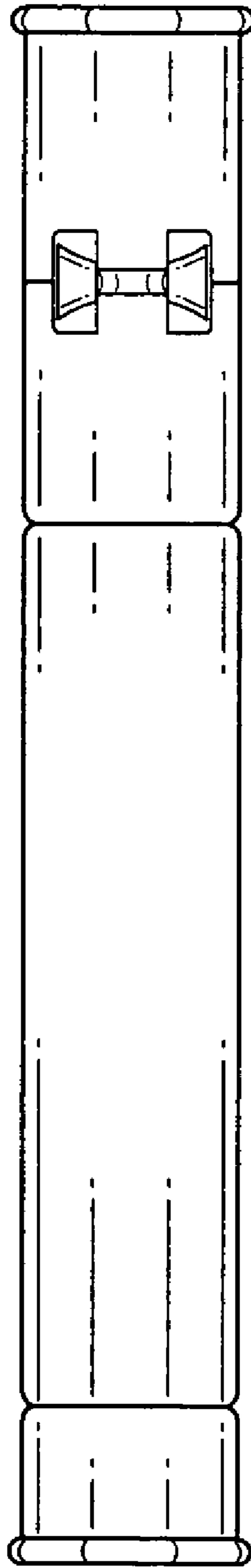


FIG. 5

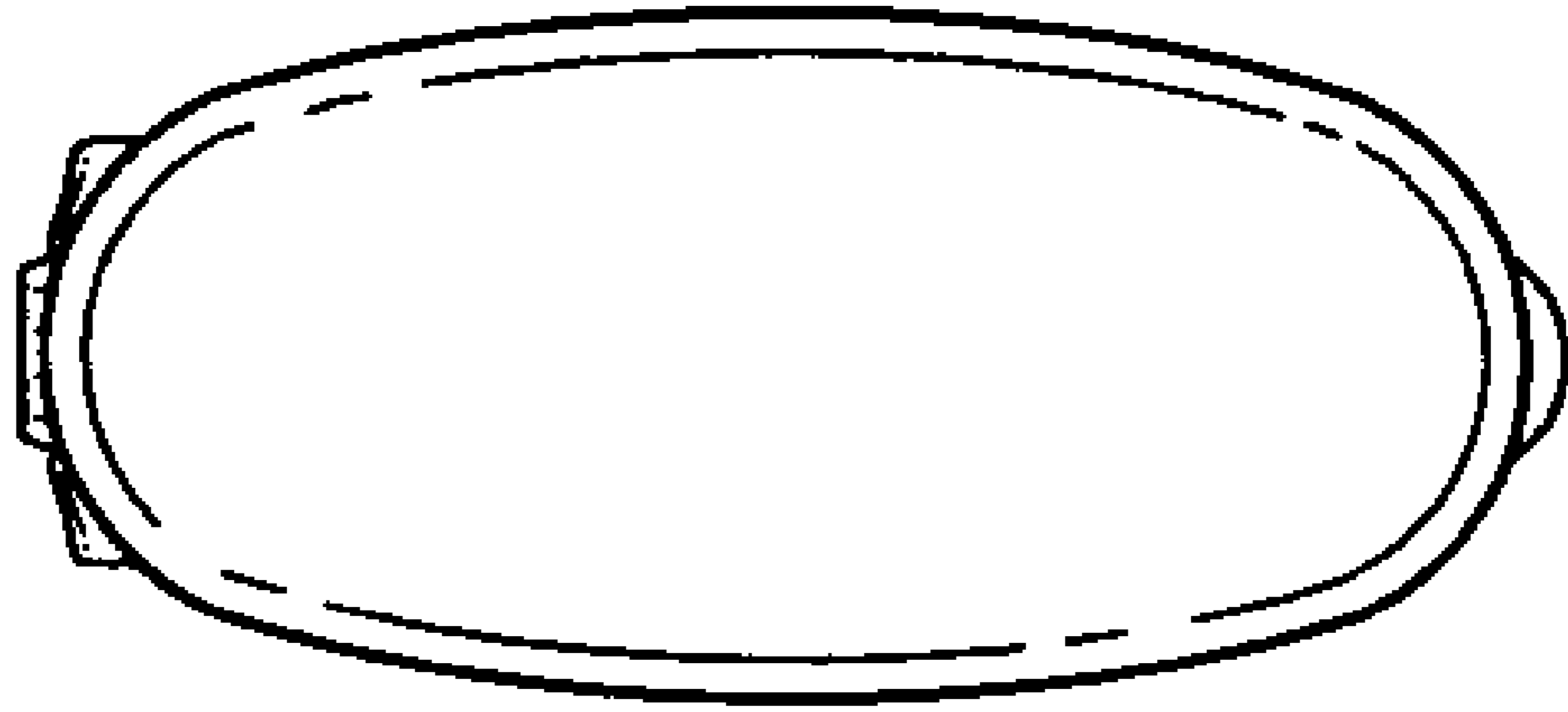


FIG. 6

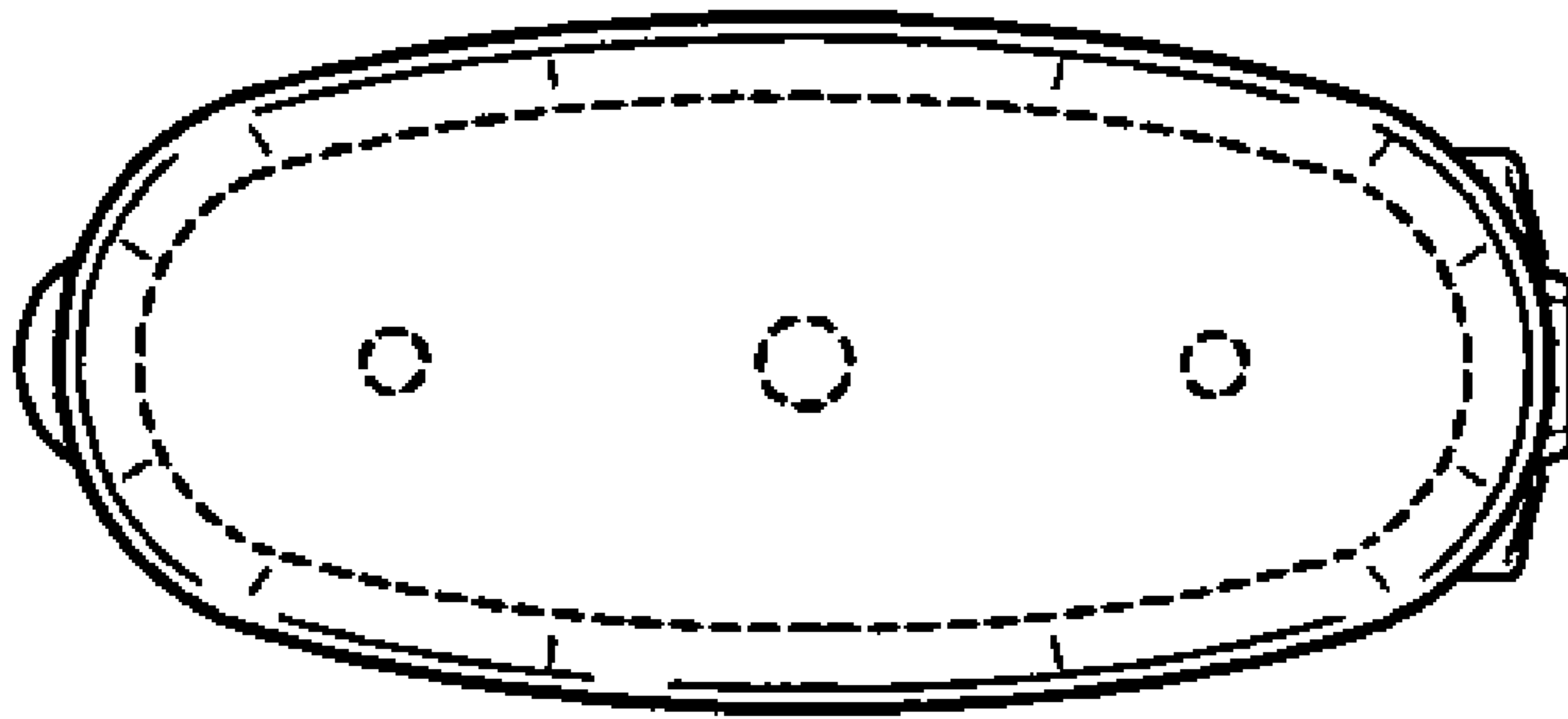


FIG. 7

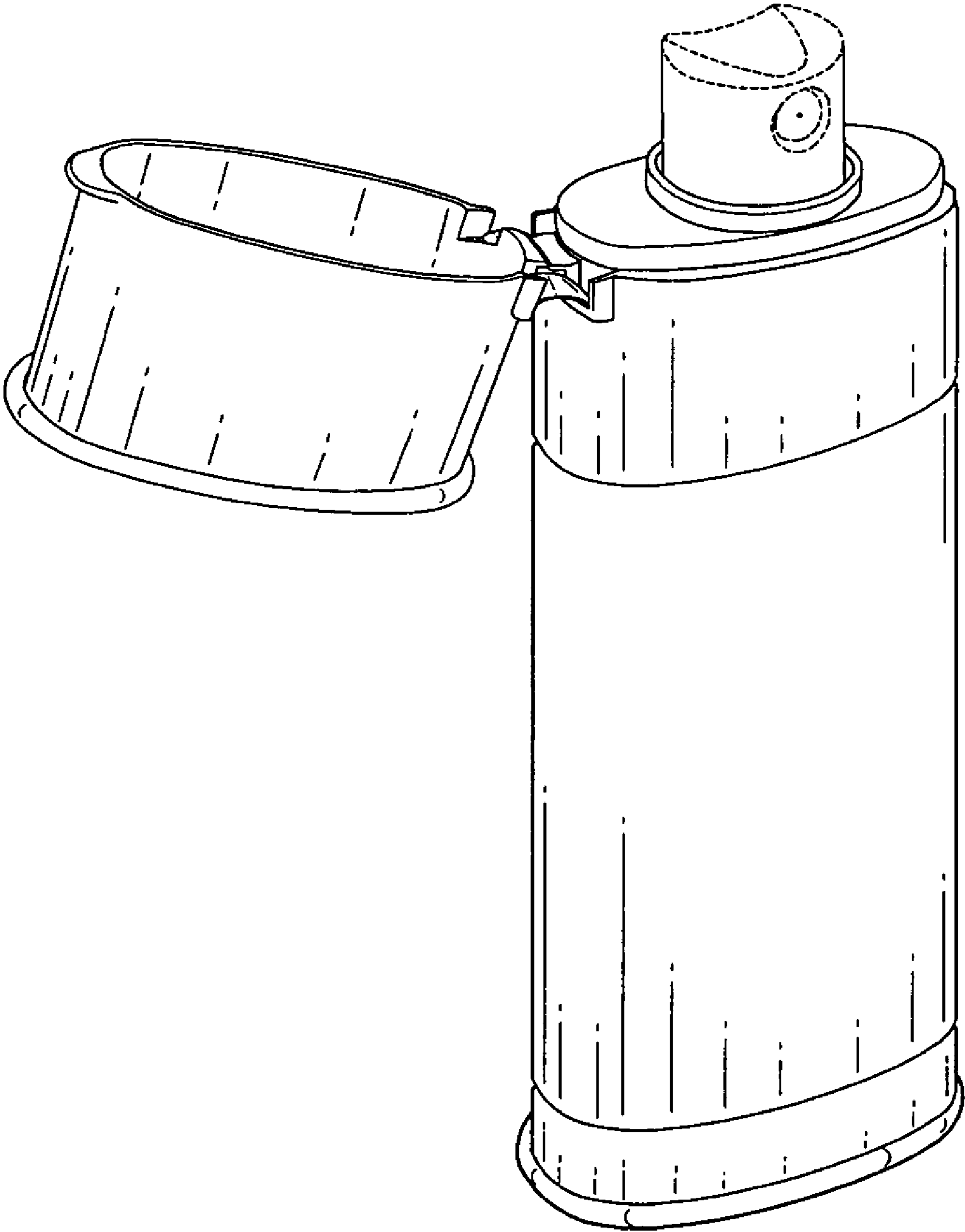


FIG. 8