

US00D599668S

(12) **United States Design Patent  
de France**

(10) **Patent No.:** **US D599,668 S**

(45) **Date of Patent:** **\*\* Sep. 8, 2009**

(54) **BOTTLE**

(75) Inventor: **Sylvie de France**, Paris (FR)

(73) Assignee: **Salvatore Ferragamo Italia, S.p.A.**,  
Firenze (IT)

(\*\*) Term: **14 Years**

(21) Appl. No.: **29/245,894**

(22) Filed: **Dec. 31, 2005**

(30) **Foreign Application Priority Data**

Oct. 11, 2005 (EM) ..... 000414461

(51) **LOC (9) Cl.** ..... **09-01**

(52) **U.S. Cl.** ..... **D9/522; D9/687**

(58) **Field of Classification Search** ..... D9/682-694,  
D9/516-575; 215/379, 382, 383, 384; 220/660,  
220/662, 665, 669

See application file for complete search history.

(56) **References Cited**

**U.S. PATENT DOCUMENTS**

- 2,032,807 A \* 3/1936 Masbach ..... 434/100
- D102,401 S \* 12/1936 Shulman ..... D9/522
- D343,578 S \* 1/1994 Dinand ..... D9/520
- D365,992 S \* 1/1996 Trussardi ..... D9/544
- D389,742 S \* 1/1998 Toleman ..... D9/523
- D430,801 S \* 9/2000 Harrity et al. .... D9/520
- D453,106 S \* 1/2002 Peltrault ..... D9/687
- 6,592,011 B1 \* 7/2003 Lammel et al. .... 222/402.11

- D493,110 S \* 7/2004 Levesque ..... D9/530
- D498,665 S \* 11/2004 Mansau ..... D9/694
- D511,688 S \* 11/2005 Baron ..... D9/560
- D520,877 S \* 5/2006 Toth et al. .... D9/522
- D526,212 S \* 8/2006 Faillant-Dumas ..... D9/694
- D531,049 S \* 10/2006 De France ..... D9/686

\* cited by examiner

*Primary Examiner*—Catherine Tuttle

(74) *Attorney, Agent, or Firm*—Pollack, P.C.

(57) **CLAIM**

The ornamental design for a bottle, substantially as shown and described.

**DESCRIPTION**

FIG. 1 is a perspective view of a bottle showing my new design;

FIG. 2 is a front view of the bottle shown in FIG. 1;

FIG. 3 is a rear view of the bottle shown in FIG. 1;

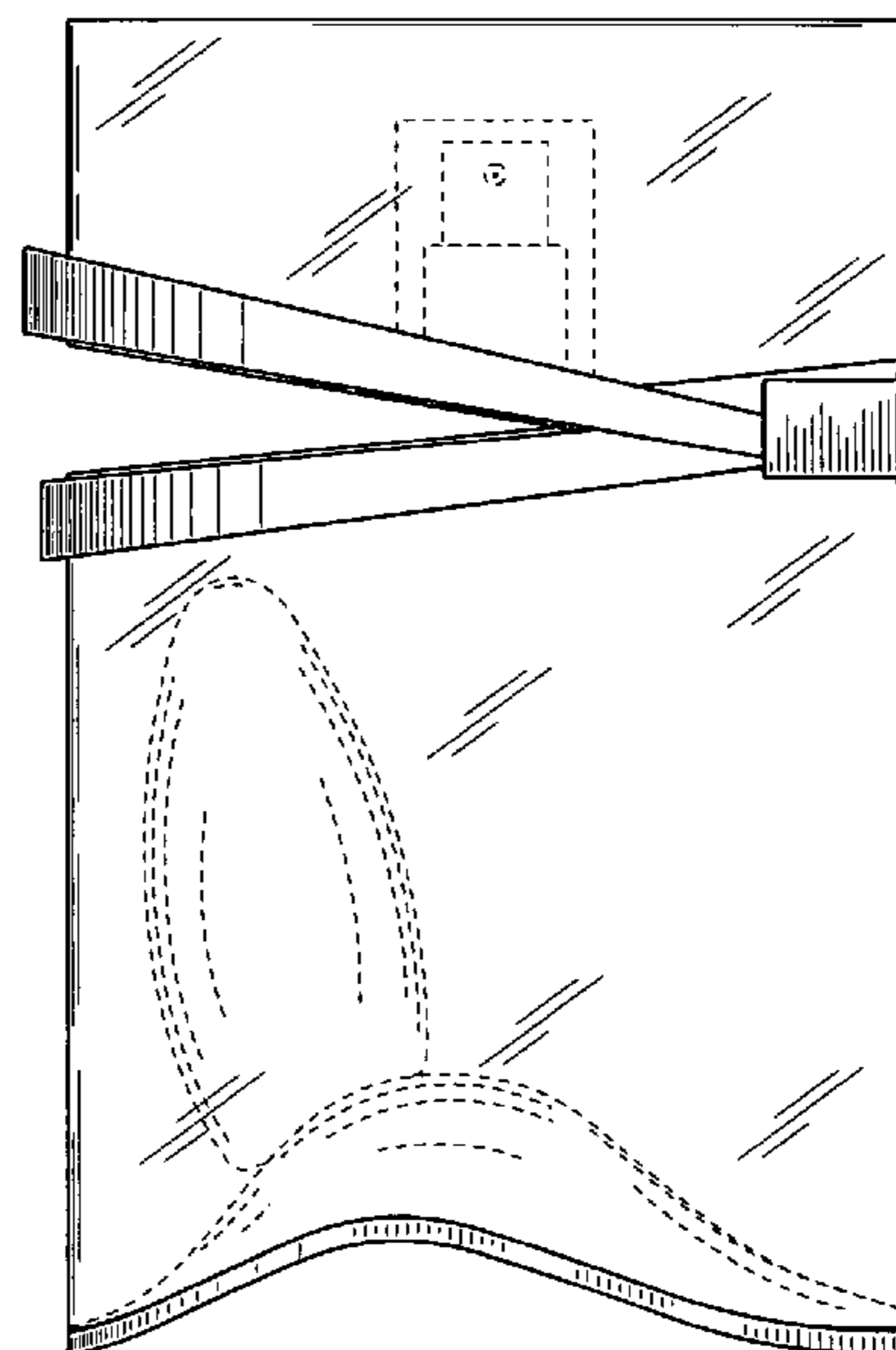
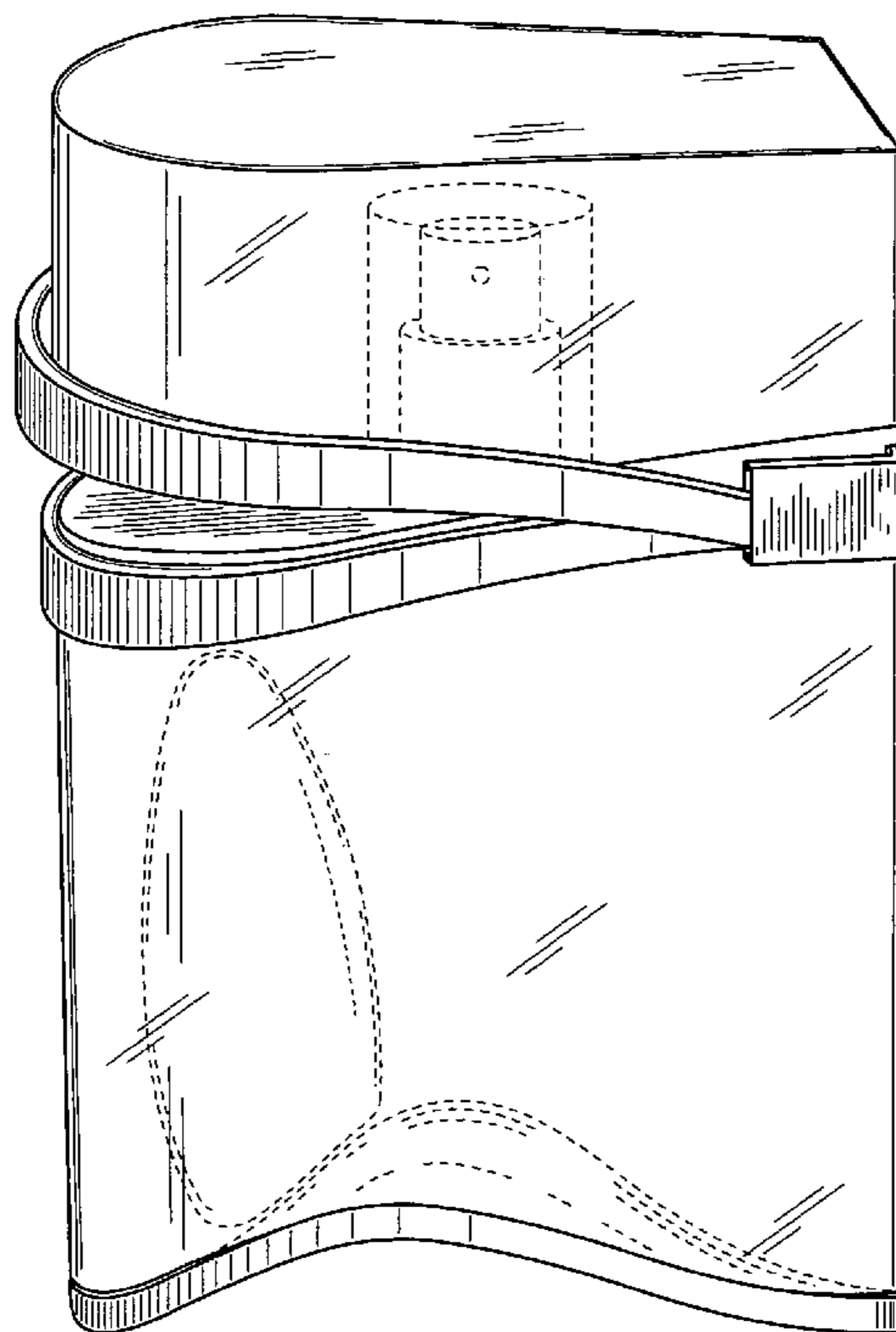
FIG. 4 is a side view of the bottle shown in FIG. 1, the other side being a mirror image thereof;

FIG. 5 is a top plan view of the bottle shown in FIG. 1; and,

FIG. 6 is a bottom plan view of the bottle shown in FIG. 1.

The broken lines are included for the purpose of illustrating visible, internal structure that forms no part of the claimed design. The appearance within the unshaded region of FIG. 5 forms no part of the claimed design, it being understood that the solid line boundary thereof is part of the claim.

**1 Claim, 3 Drawing Sheets**



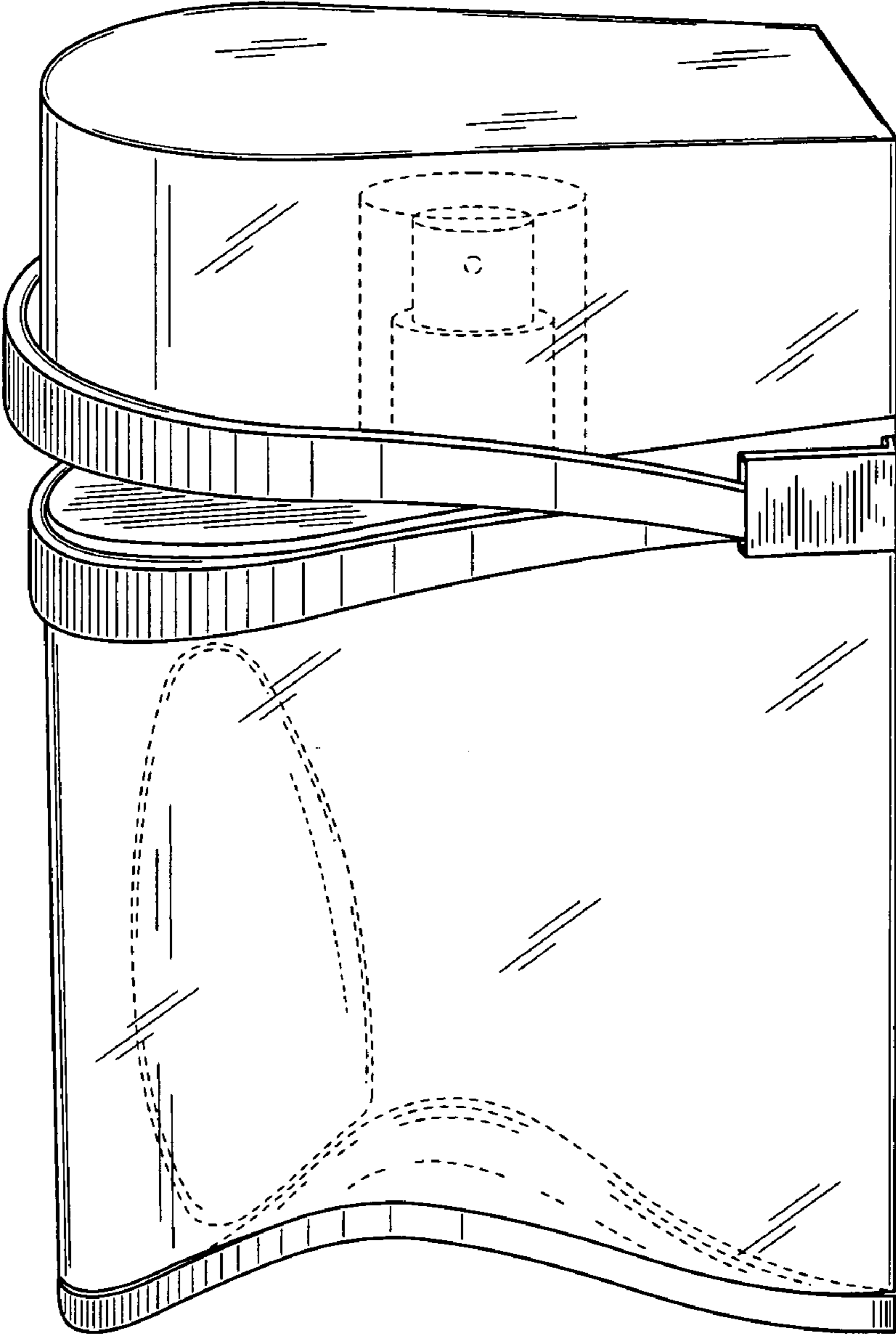


FIG. 1

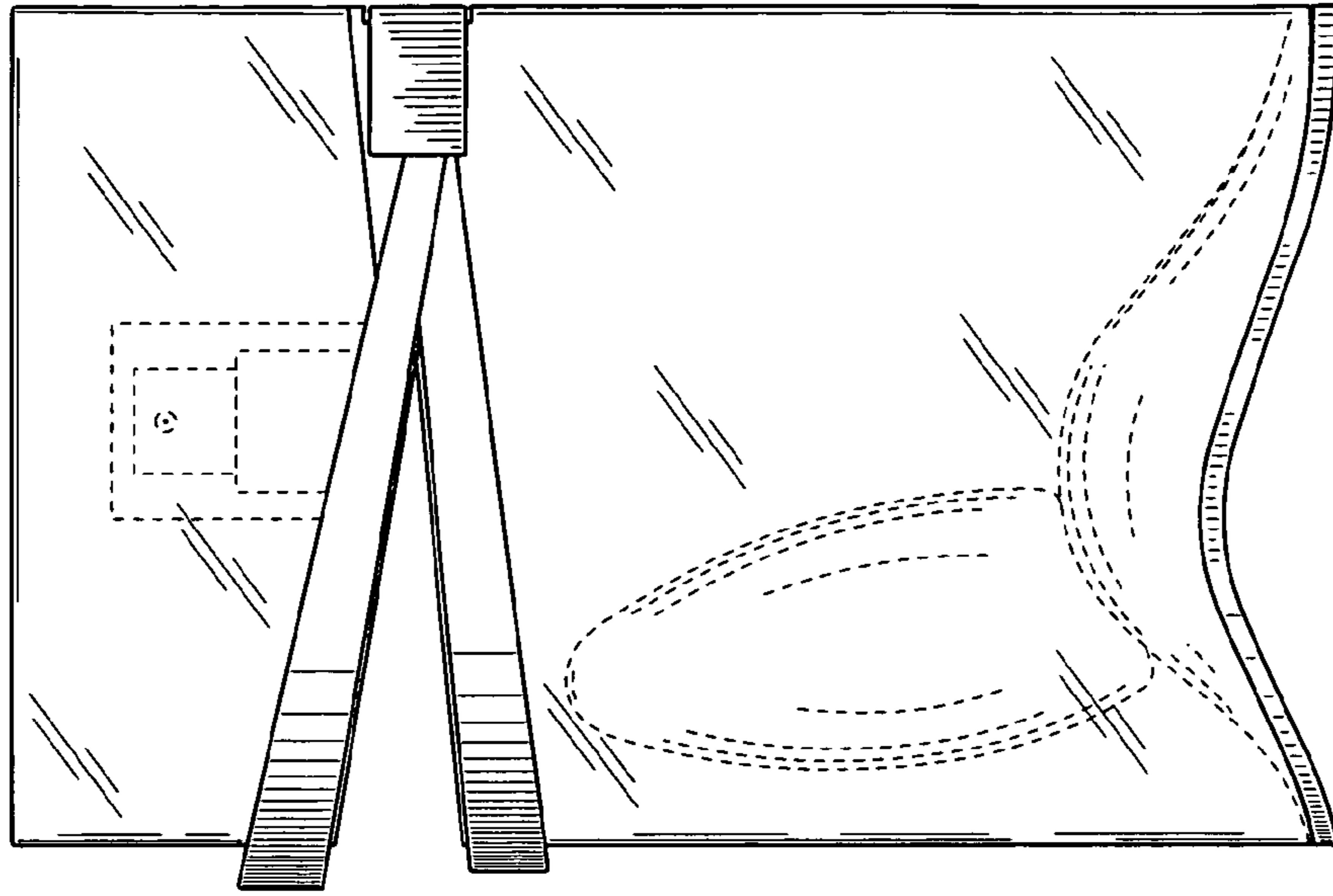


FIG. 4

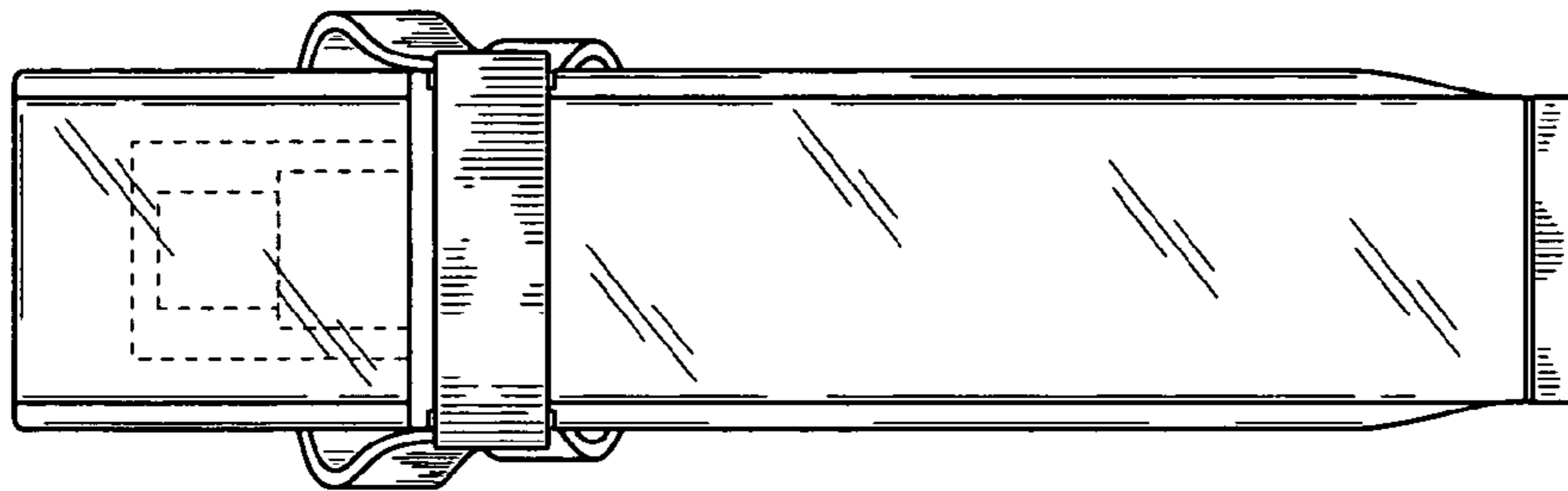


FIG. 3

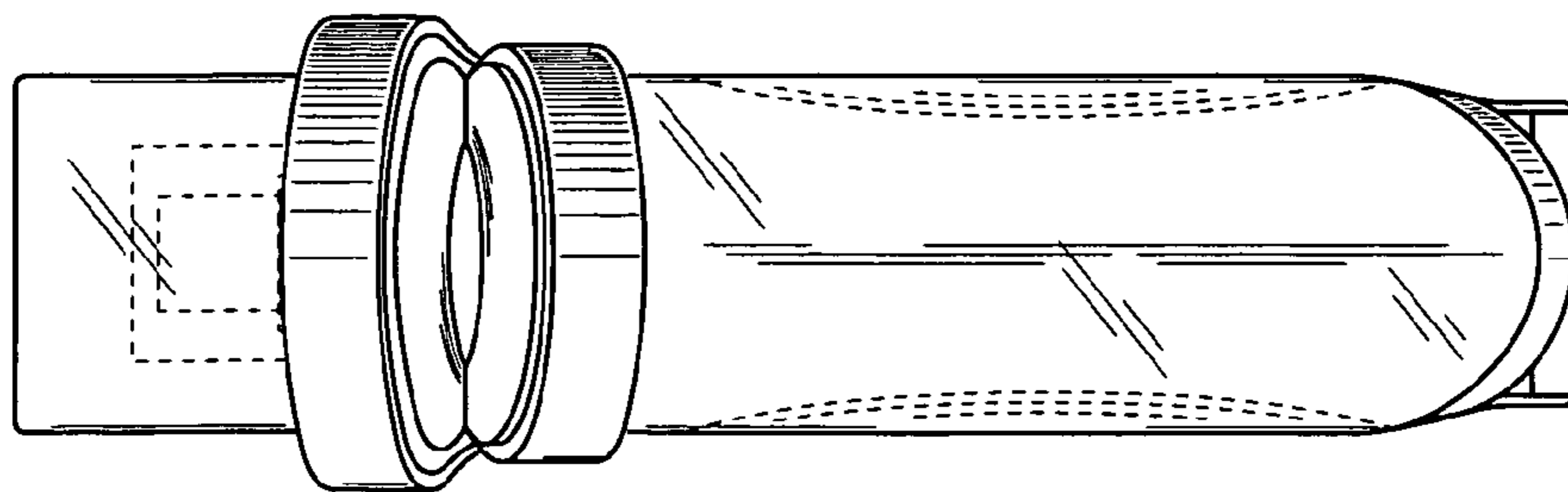


FIG. 2

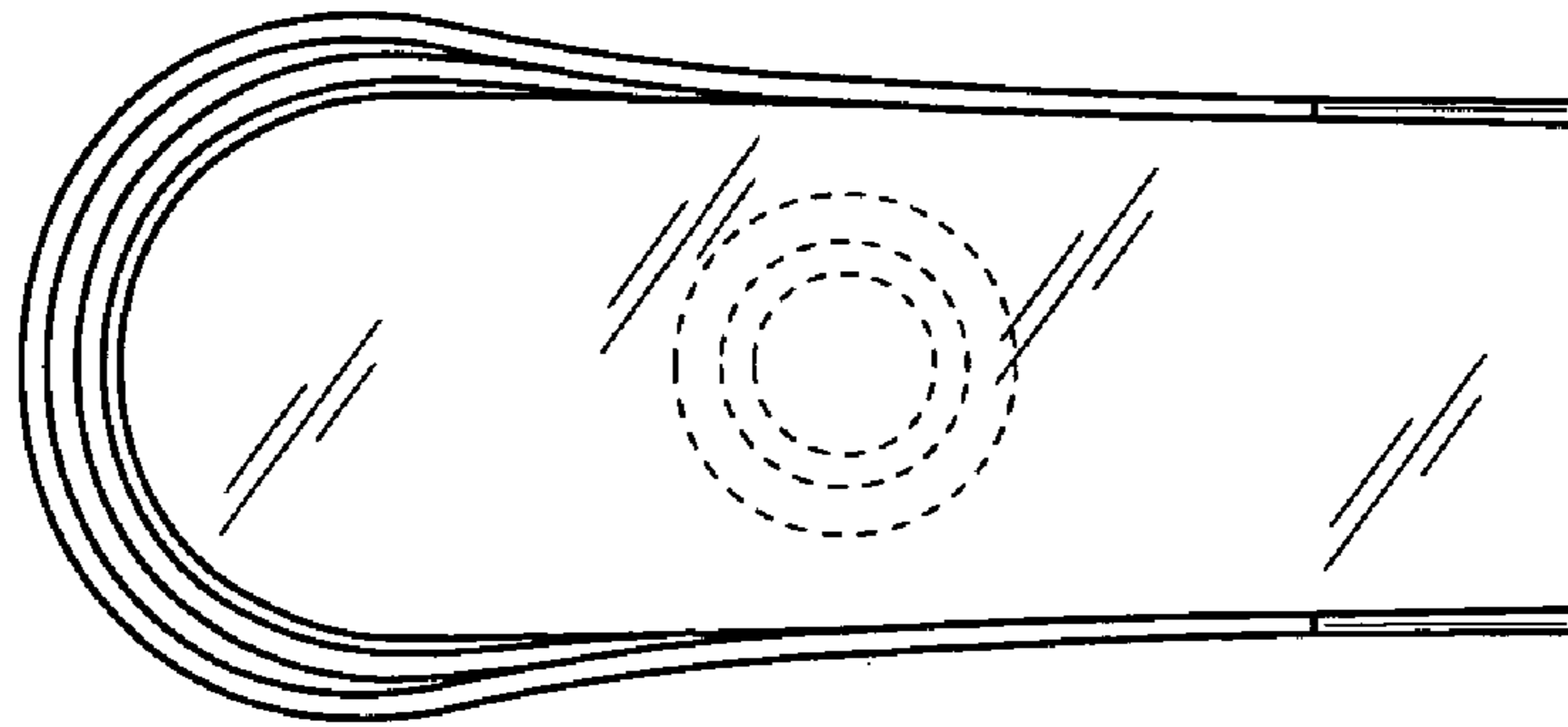


FIG. 5

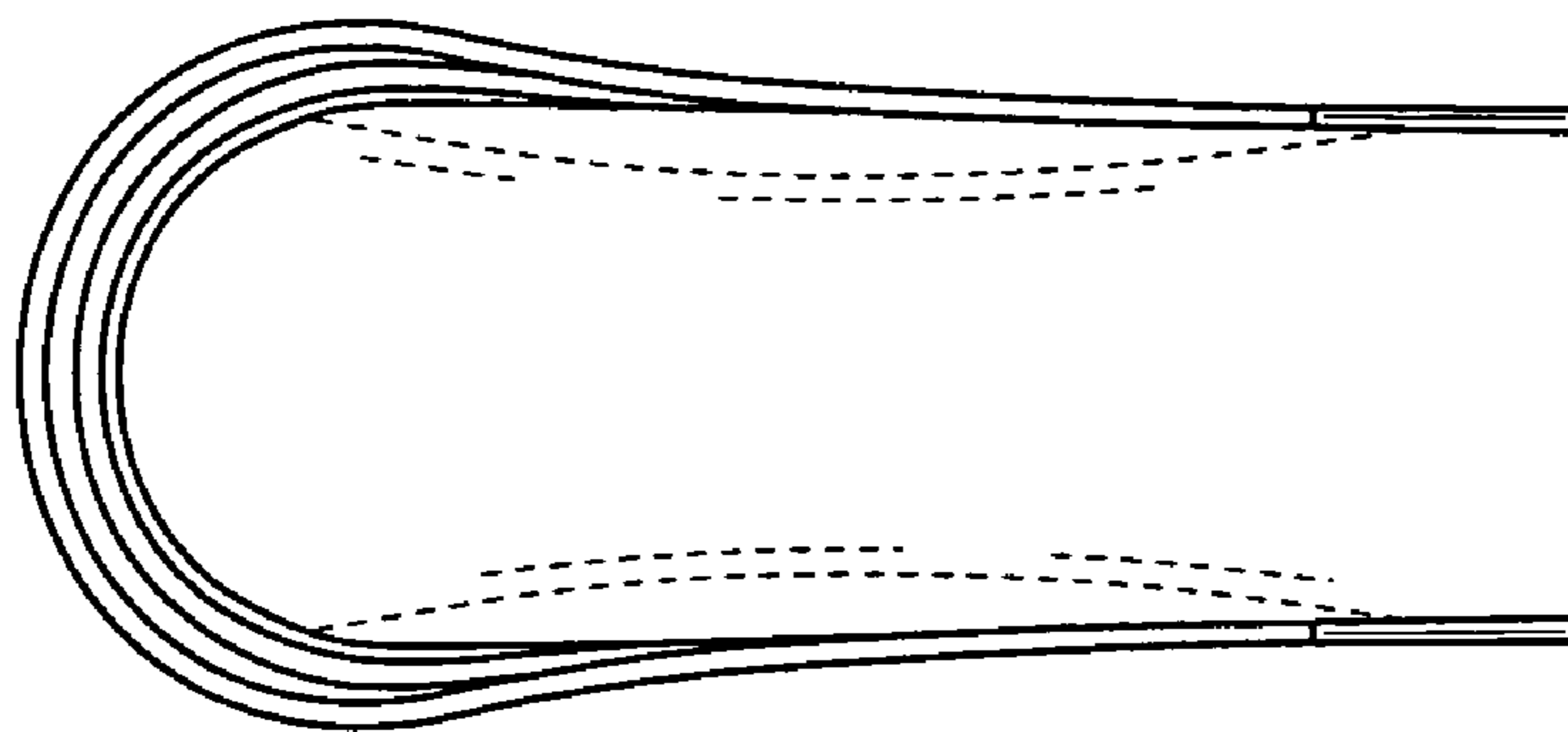


FIG. 6