



US00D599665S

(12) **United States Design Patent**
Campbell

(10) **Patent No.:** **US D599,665 S**
(45) **Date of Patent:** **** Sep. 8, 2009**

(54) **TOP OF SPRAY CAN**

(75) Inventor: **Jason C. Campbell**, Chicago, IL (US)

(73) Assignee: **Valspar Sourcing, Inc.**, Minneapolis, MN (US)

(**) Term: **14 Years**

(21) Appl. No.: **29/322,207**

(22) Filed: **Jul. 30, 2008**

(51) **LOC (9) Cl.** **09-07**

(52) **U.S. Cl.** **D9/448**

(58) **Field of Classification Search** D9/690,
D9/688, 686, 453, 450, 449, 448, 447, 435;
D24/10; 222/547, 321.4-321.9, 153.13,
222/1

See application file for complete search history.

(56) **References Cited**

U.S. PATENT DOCUMENTS

D189,271 S 11/1960 Hibbs et al.
D198,111 S 4/1964 Abplanalp

(Continued)

OTHER PUBLICATIONS

“Krylon innovation inspired” advertisement (2005), retrieved using web.archive.org., 1 page; and 2 pages of enlarged images of the can shown in advertisement.

Primary Examiner—Susan Bennett Hattan

(74) *Attorney, Agent, or Firm*—Mueting, Raasch & Gebhardt, P.A.

(57) **CLAIM**

The ornamental design for a top of spray can, as shown and described.

DESCRIPTION

FIG. 1 is an upper front perspective view of a top of spray can in accordance with one embodiment of the present invention;

FIG. 2 is a upper rear perspective view of the top of spray can of FIG. 1;

FIG. 3 is a front elevation view of the top of spray can of FIG. 1;

FIG. 4 is a rear elevation view of the top of spray can of FIG. 1;

FIG. 5 is a left side elevation view of the top of spray can of FIG. 1, the right side elevation view being a mirror image thereof;

FIG. 6 is a top plan view of the top of spray can of FIG. 1;

FIG. 7 is a bottom plan view of the top of spray can of FIG. 1;

FIG. 8 is an upper front perspective view of a top of spray can in accordance with another embodiment of the present invention;

FIG. 9 is a upper rear perspective view of the top of spray can of FIG. 8;

FIG. 10 is a front elevation view of the top of spray can of FIG. 8;

FIG. 11 is a rear elevation view of the top of spray can of FIG. 8;

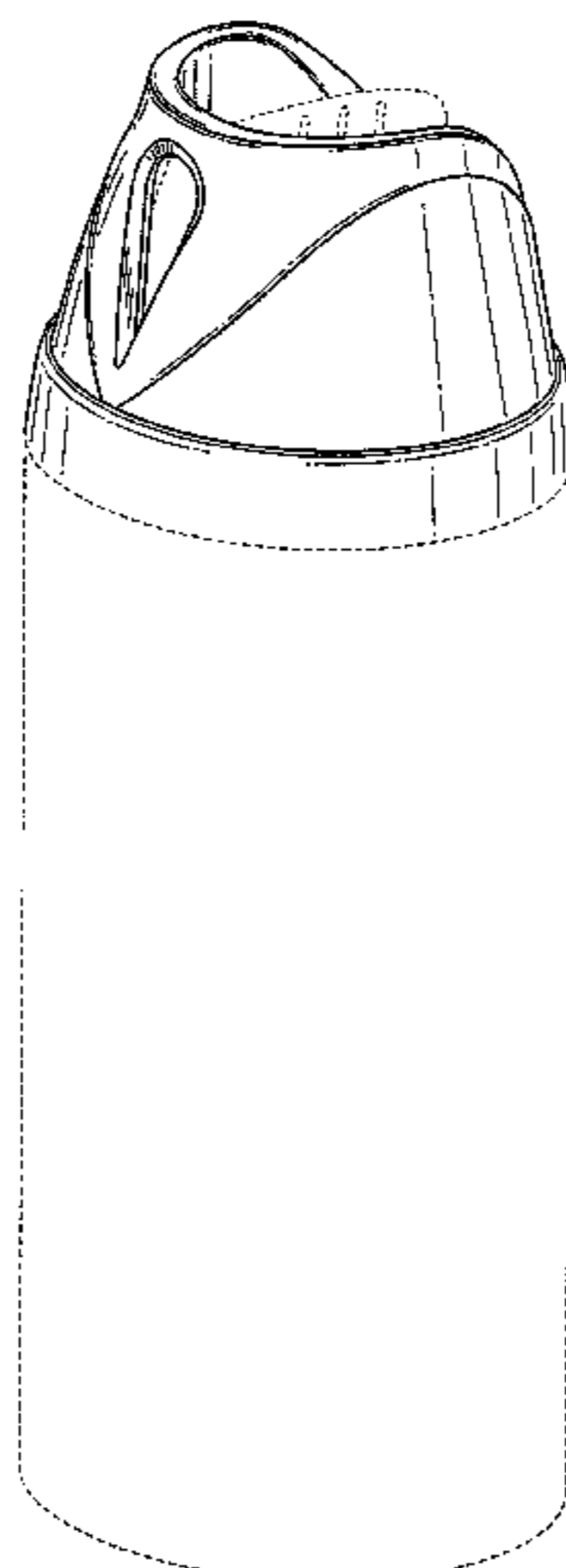
FIG. 12 is a right side elevation view of the top of spray can of FIG. 8, the right side elevation view being a mirror image thereof;

FIG. 13 is a top plan view of the top of spray can of FIG. 8; and,

FIG. 14 is a bottom plan view of the top of spray can of FIG. 8.

The broken lines immediately adjacent the shaded areas represent the bounds of the claimed design while other broken lines are directed to environment and are for illustrative purposes only; features illustrated in broken lines form no part of the claimed design.

1 Claim, 10 Drawing Sheets



US D599,665 S

Page 2

U.S. PATENT DOCUMENTS

D205,739 S	9/1966	Pizzuro	
D206,968 S	2/1967	Pizzuro	
D208,224 S	8/1967	Crowell	
D208,886 S	10/1967	Vuillemenot	
3,373,908 A	3/1968	Crowell	
D228,547 S	10/1973	Grothoff	
D229,825 S	1/1974	Hayes	
D230,472 S	2/1974	Hayes	
D238,855 S	2/1976	Hayes	
D246,895 S	1/1978	Van der Heijden	
4,135,638 A	1/1979	Wandl	
D314,917 S	2/1991	Thompson	
D365,990 S *	1/1996	McSwiggan et al. D9/448
D379,433 S *	5/1997	Croft D9/445
D436,038 S	1/2001	Ruiz de Gopegui	
D457,061 S	5/2002	Walters	
6,523,722 B1	2/2003	Clark et al.	
D471,106 S *	3/2003	Pannozzo et al. D9/448
D492,193 S *	6/2004	Miller et al. D9/688
6,769,572 B1	8/2004	Cullotta	
D497,808 S *	11/2004	Morris et al. D9/448
D510,864 S *	10/2005	Morris et al. D9/448
D510,865 S	10/2005	Geier	
D538,651 S *	3/2007	Nukuto et al. D9/448
D564,876 S *	3/2008	Nickel et al. D9/448
D572,130 S	7/2008	Campbell	
D580,755 S *	11/2008	Campbell D9/435
2005/0017027 A1	1/2005	Yerby et al.	
2007/0039979 A1	2/2007	Strand et al.	

* cited by examiner

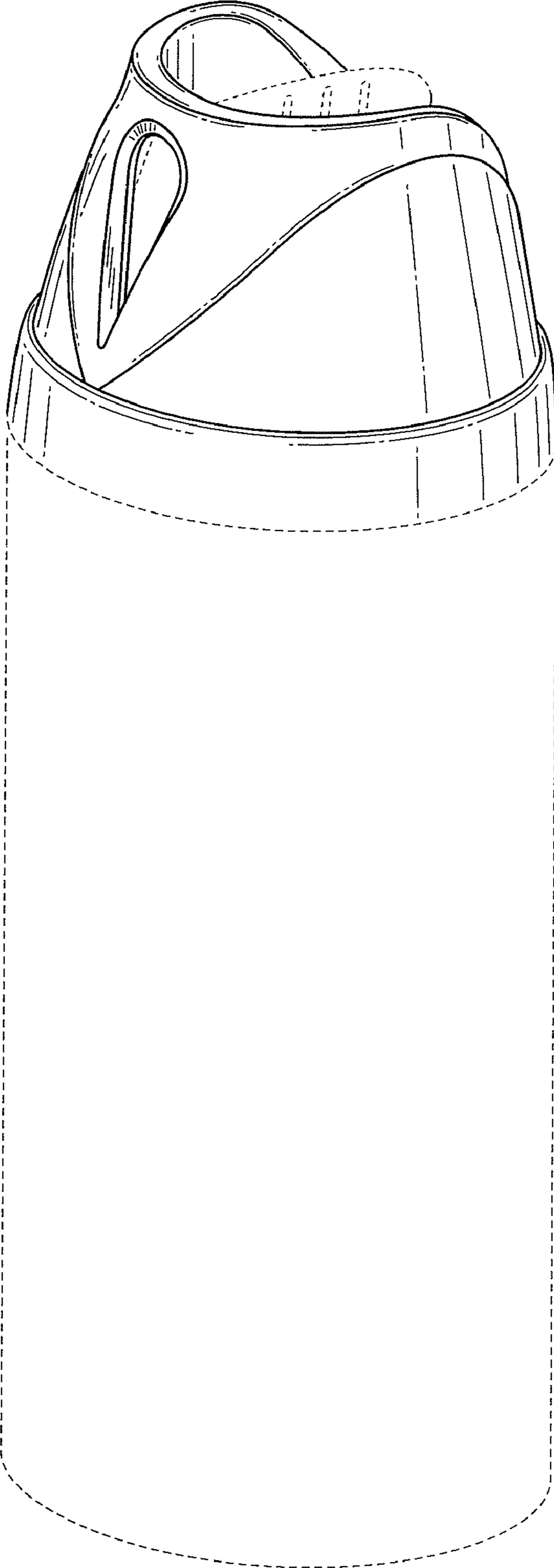


Fig. 1

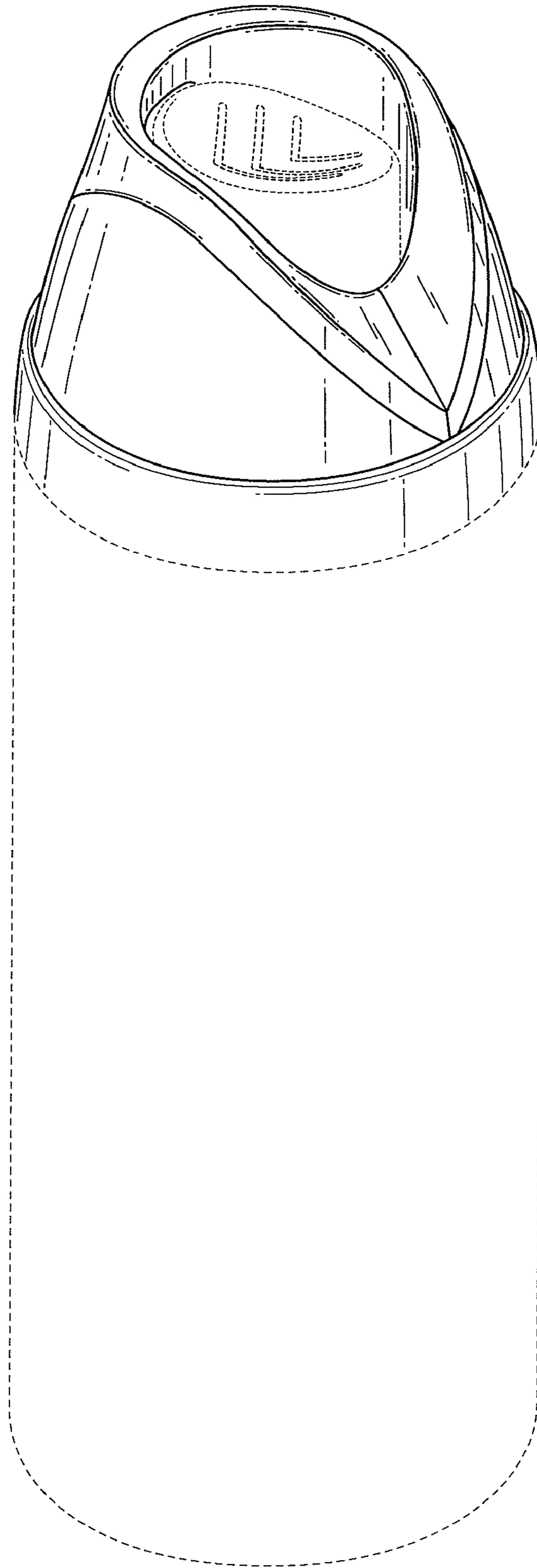


Fig. 2

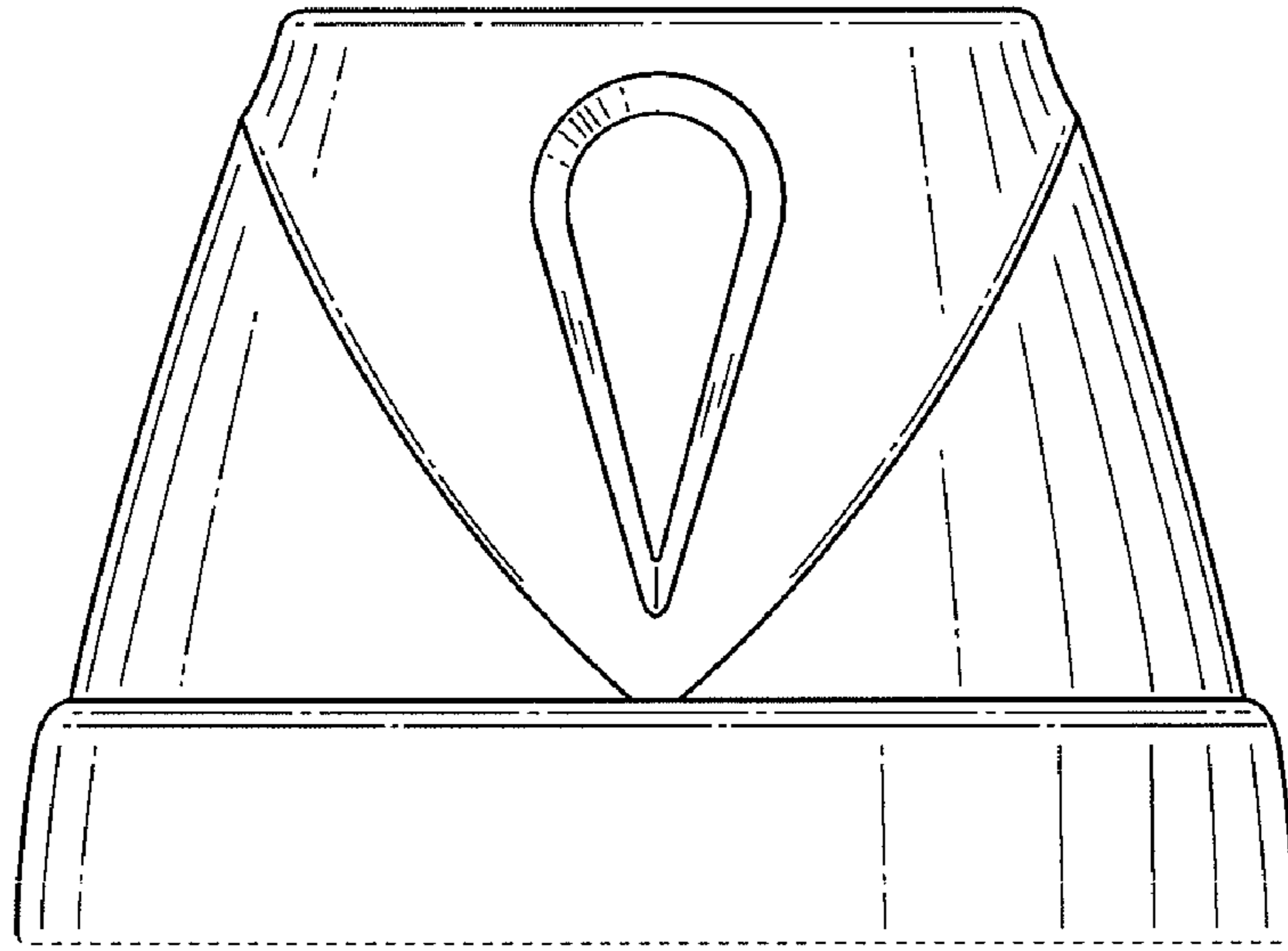


Fig. 3

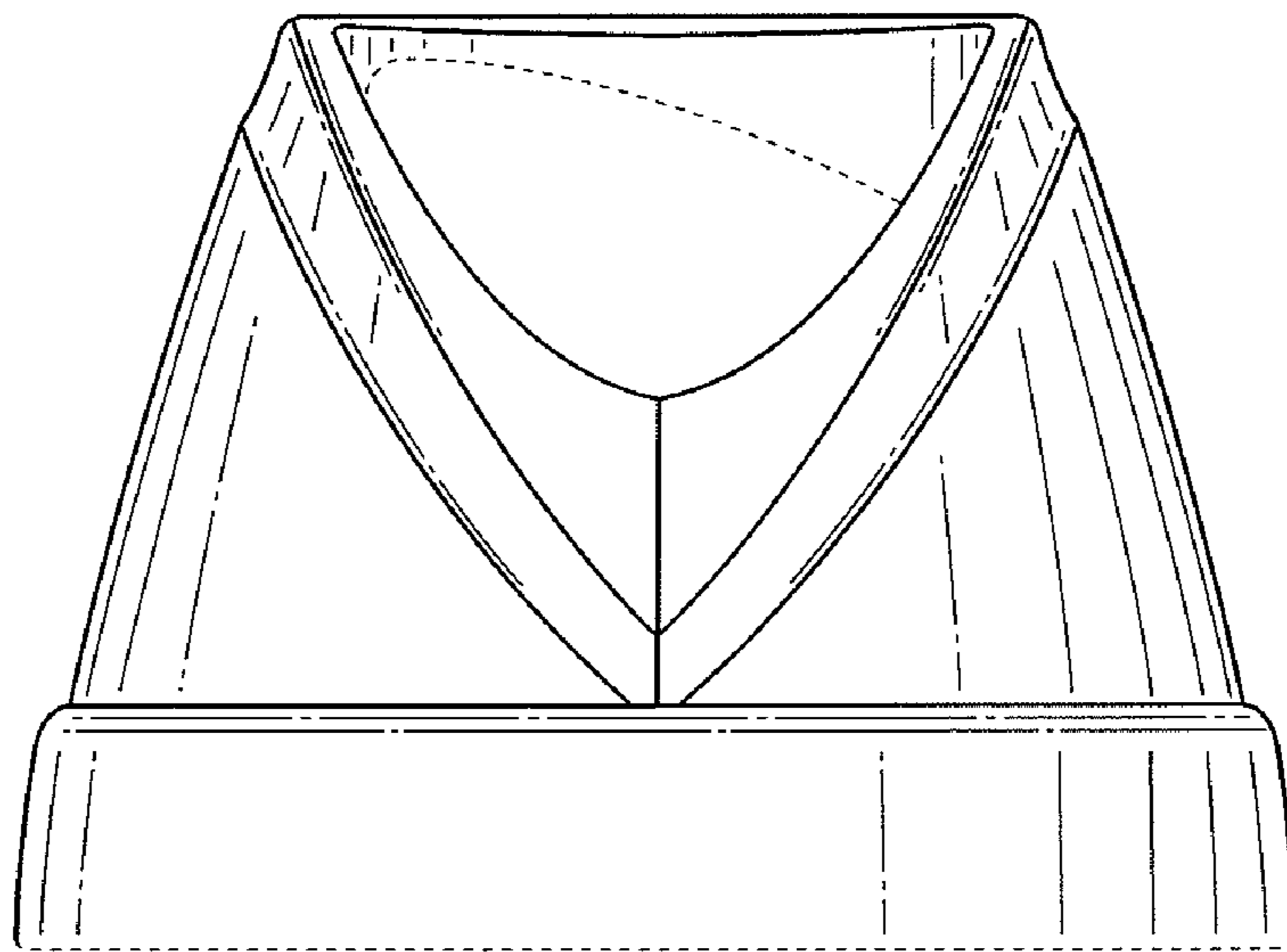


Fig. 4

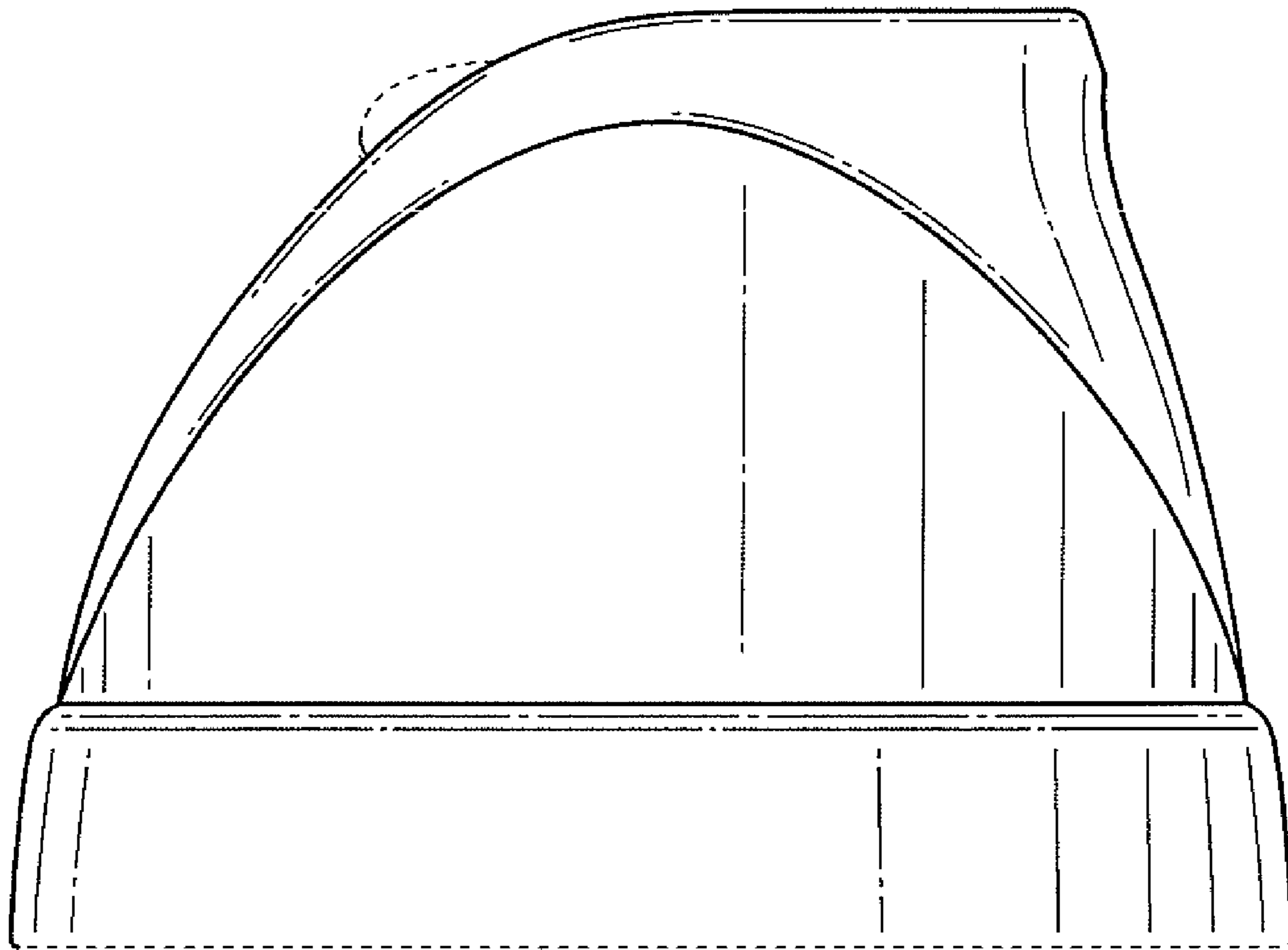


Fig. 5

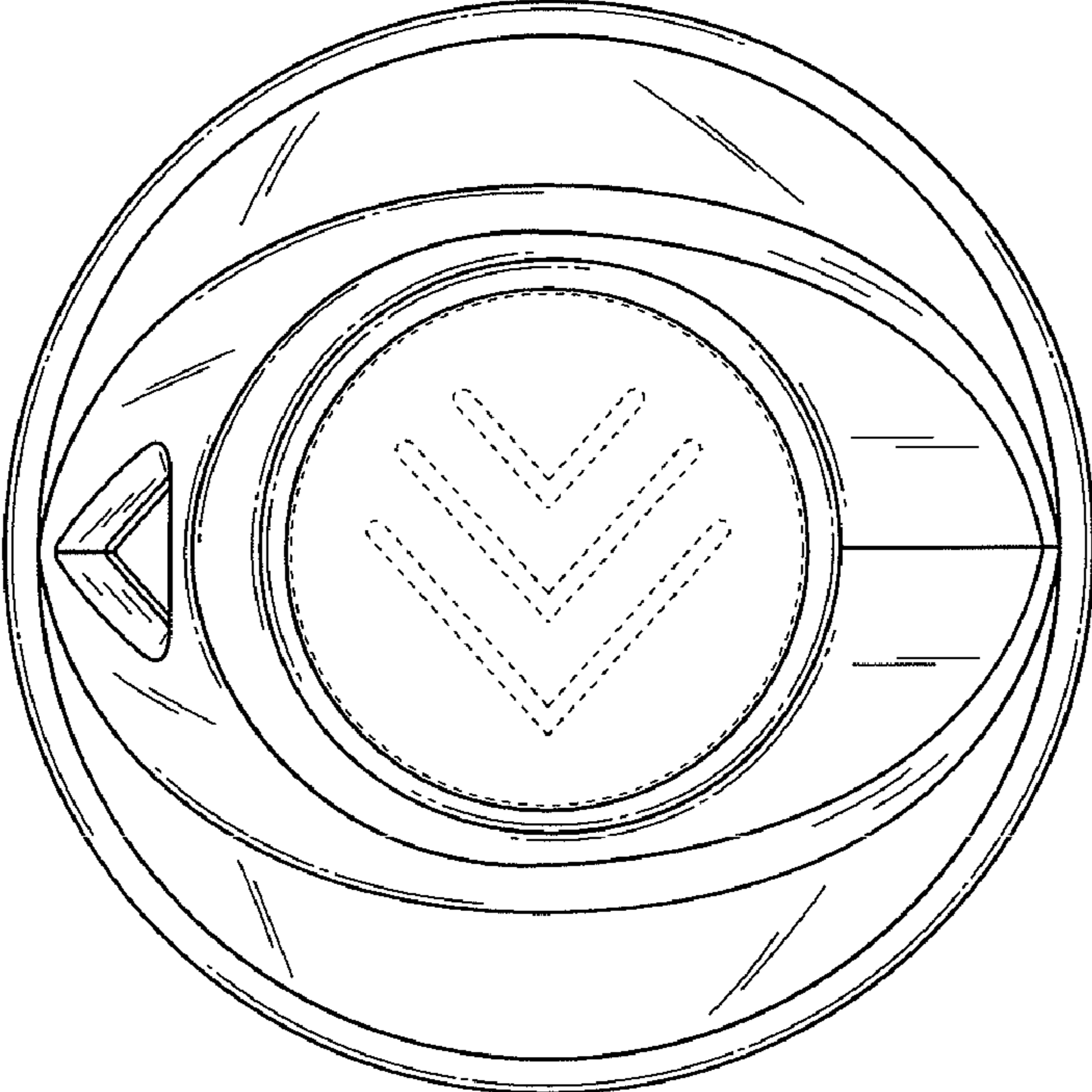


Fig. 6

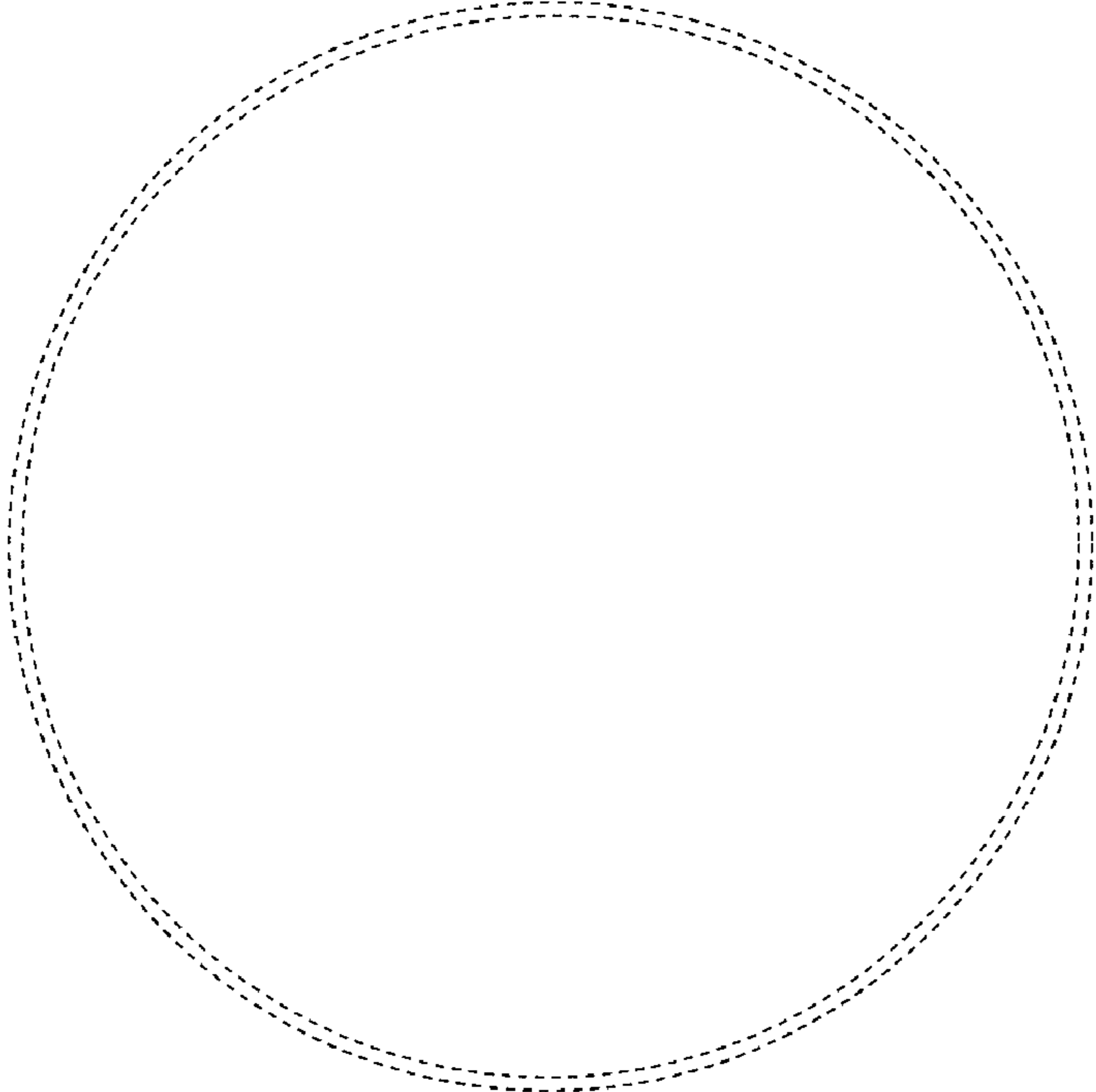


Fig. 7

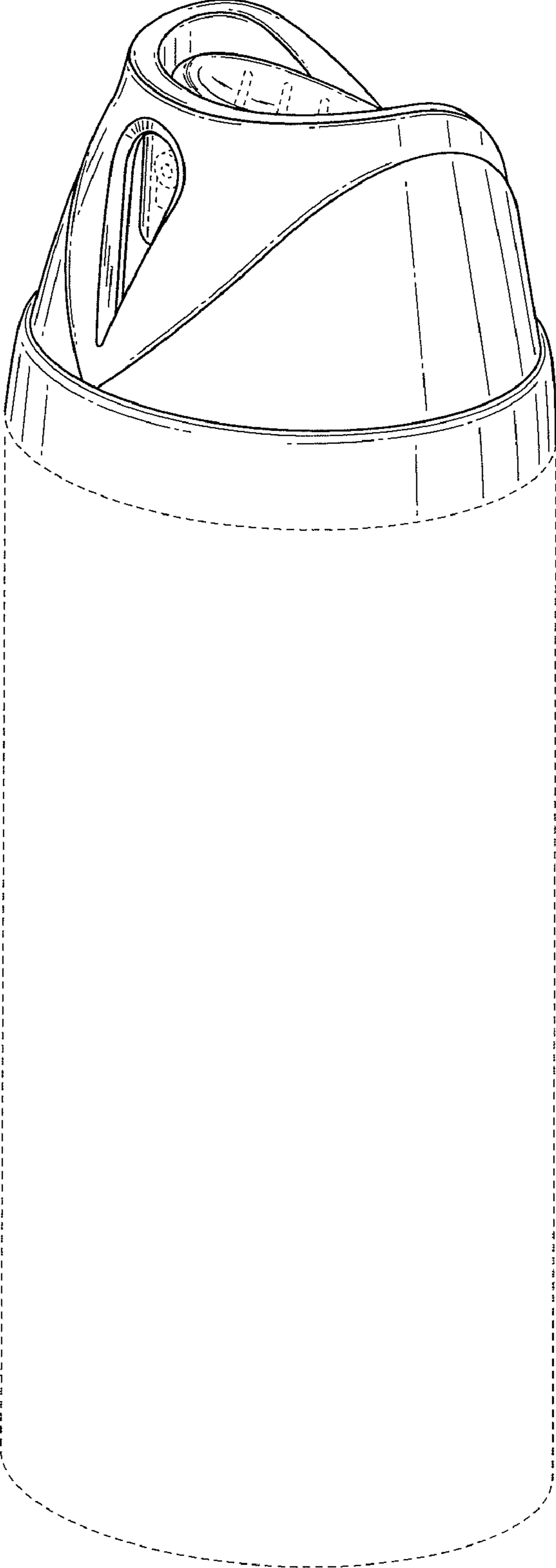


Fig. 8

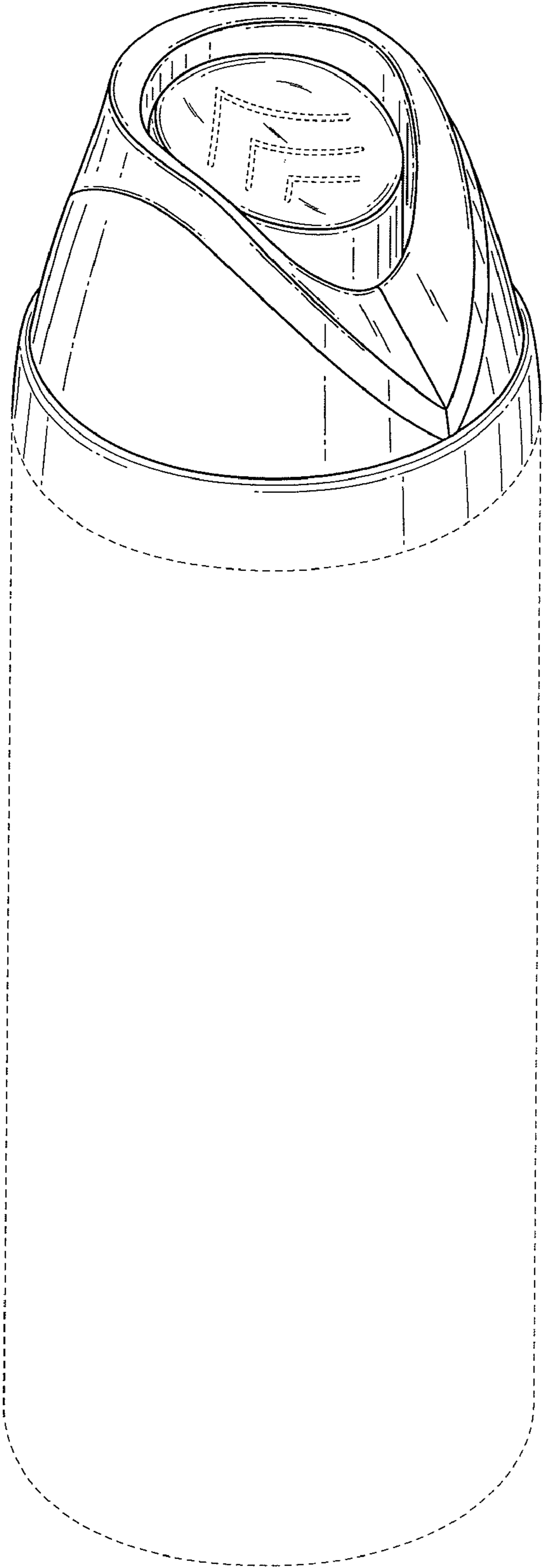


Fig. 9

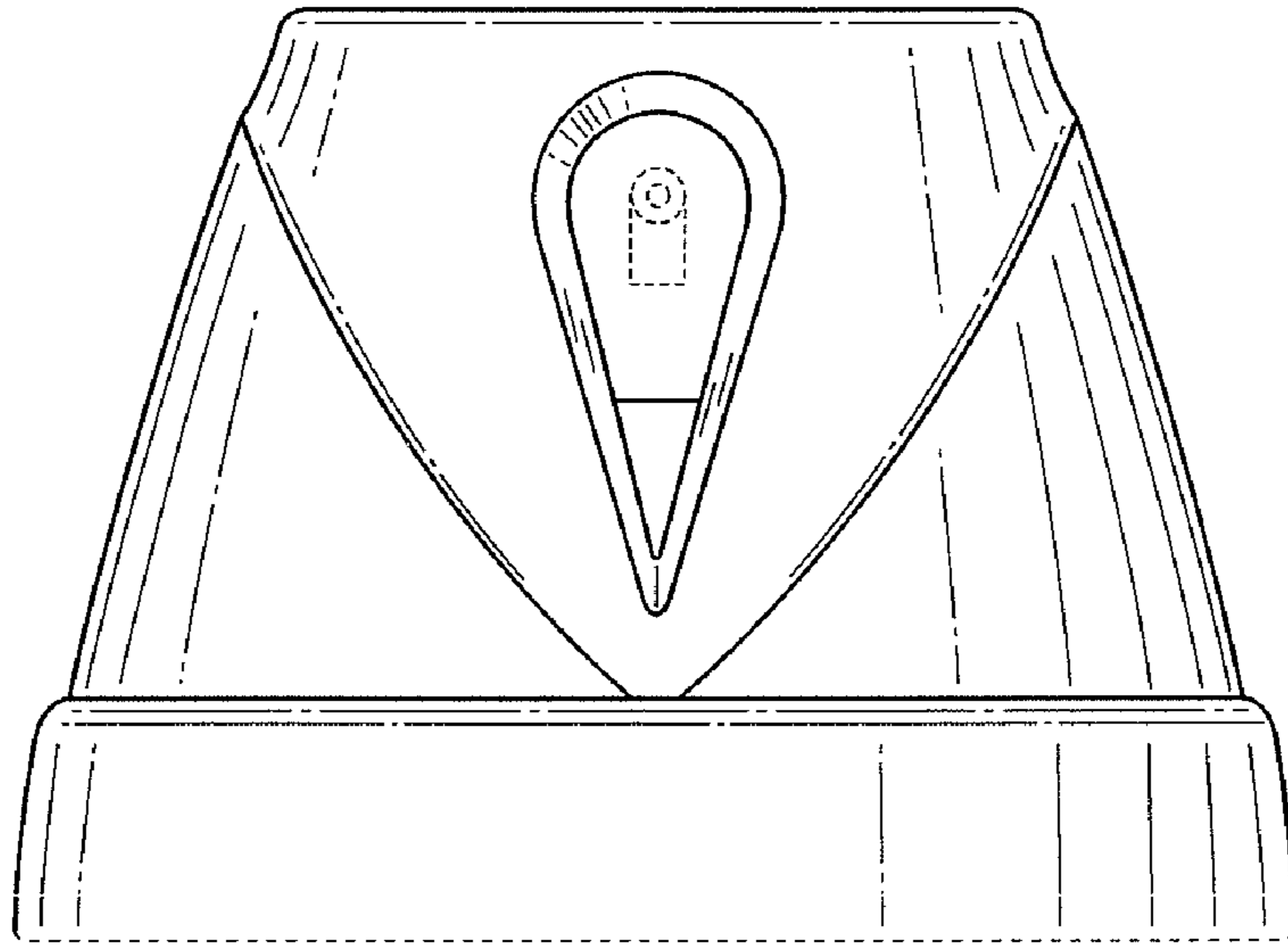


Fig. 10

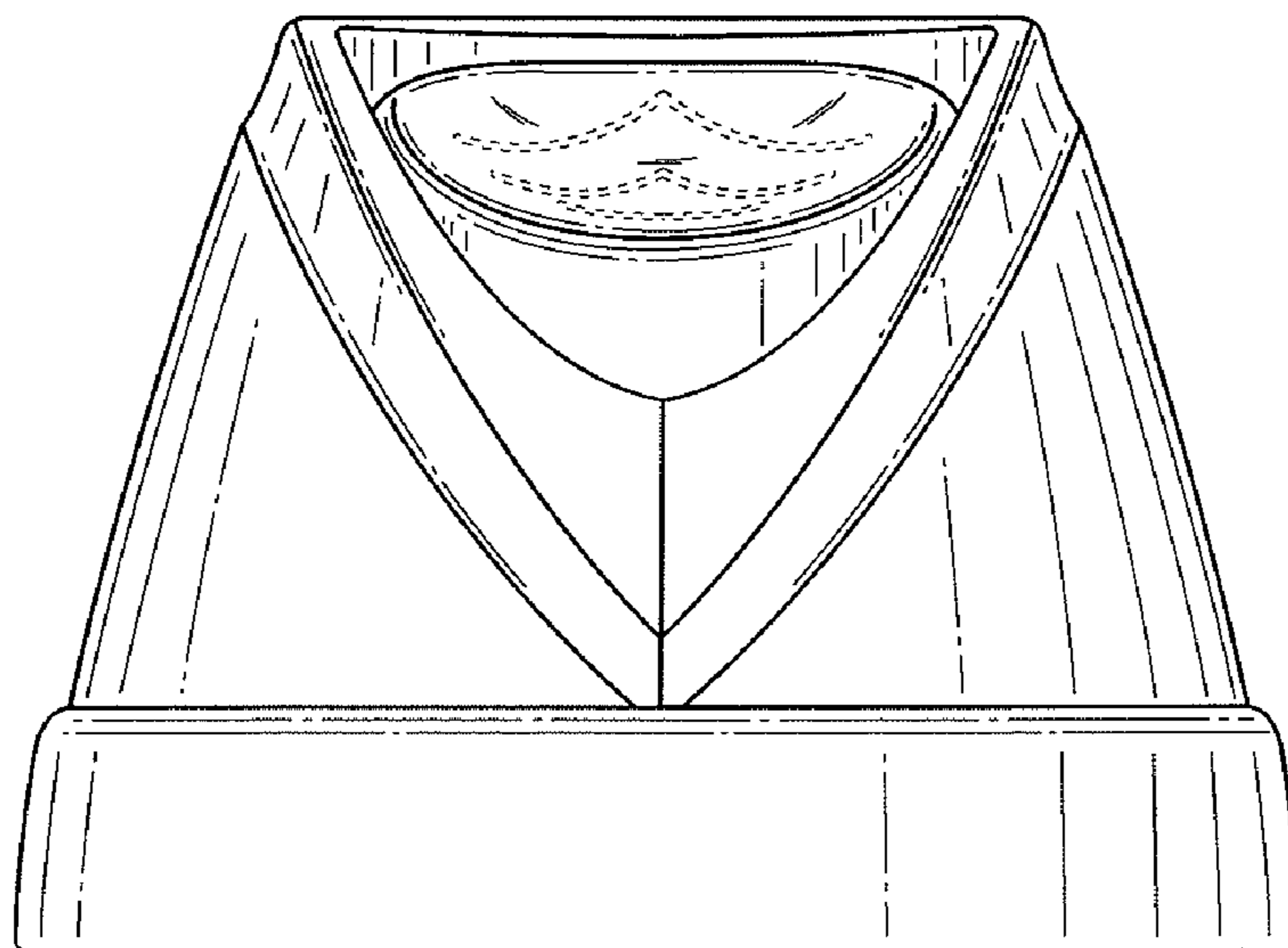


Fig. 11

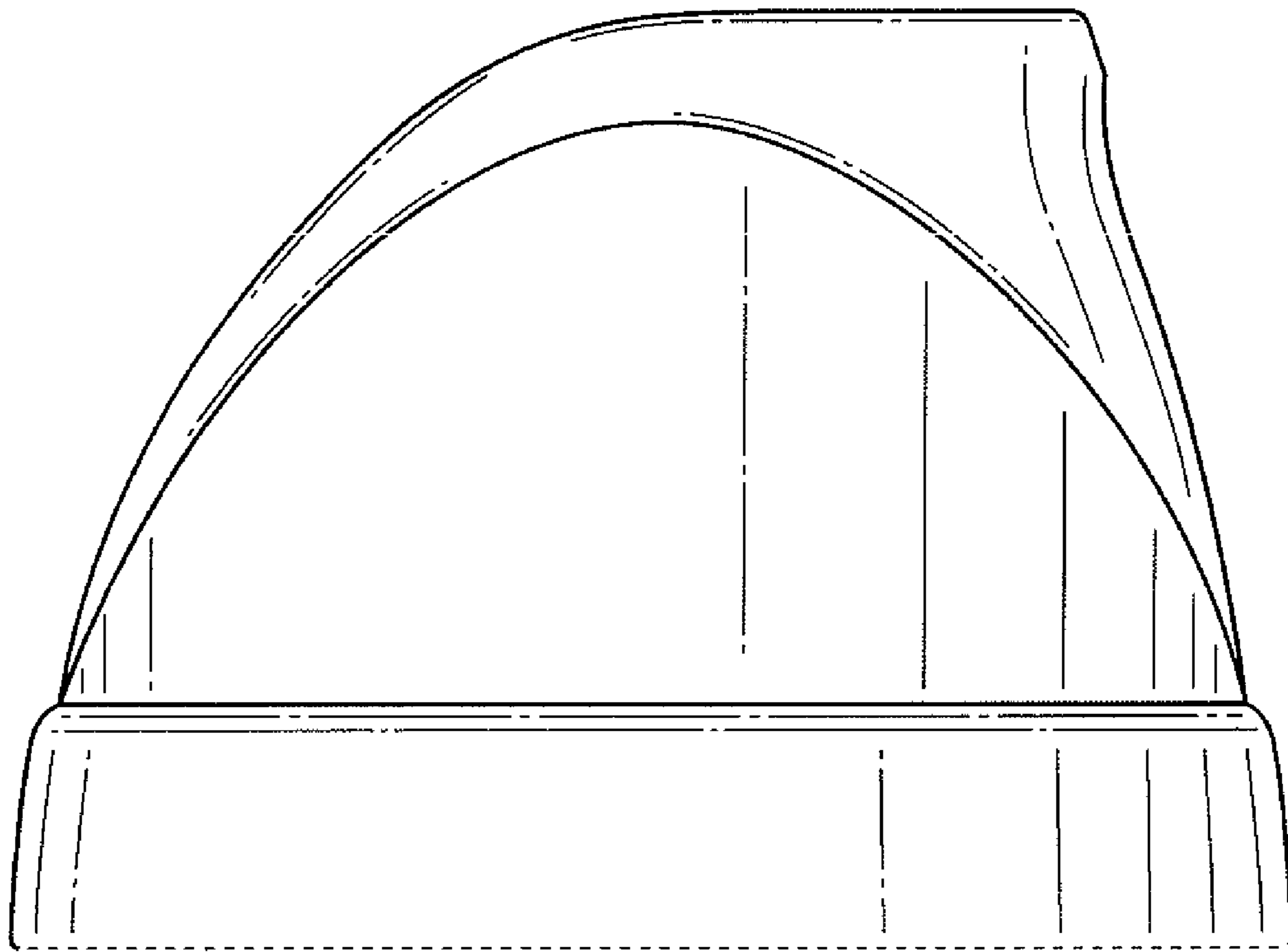


Fig. 12

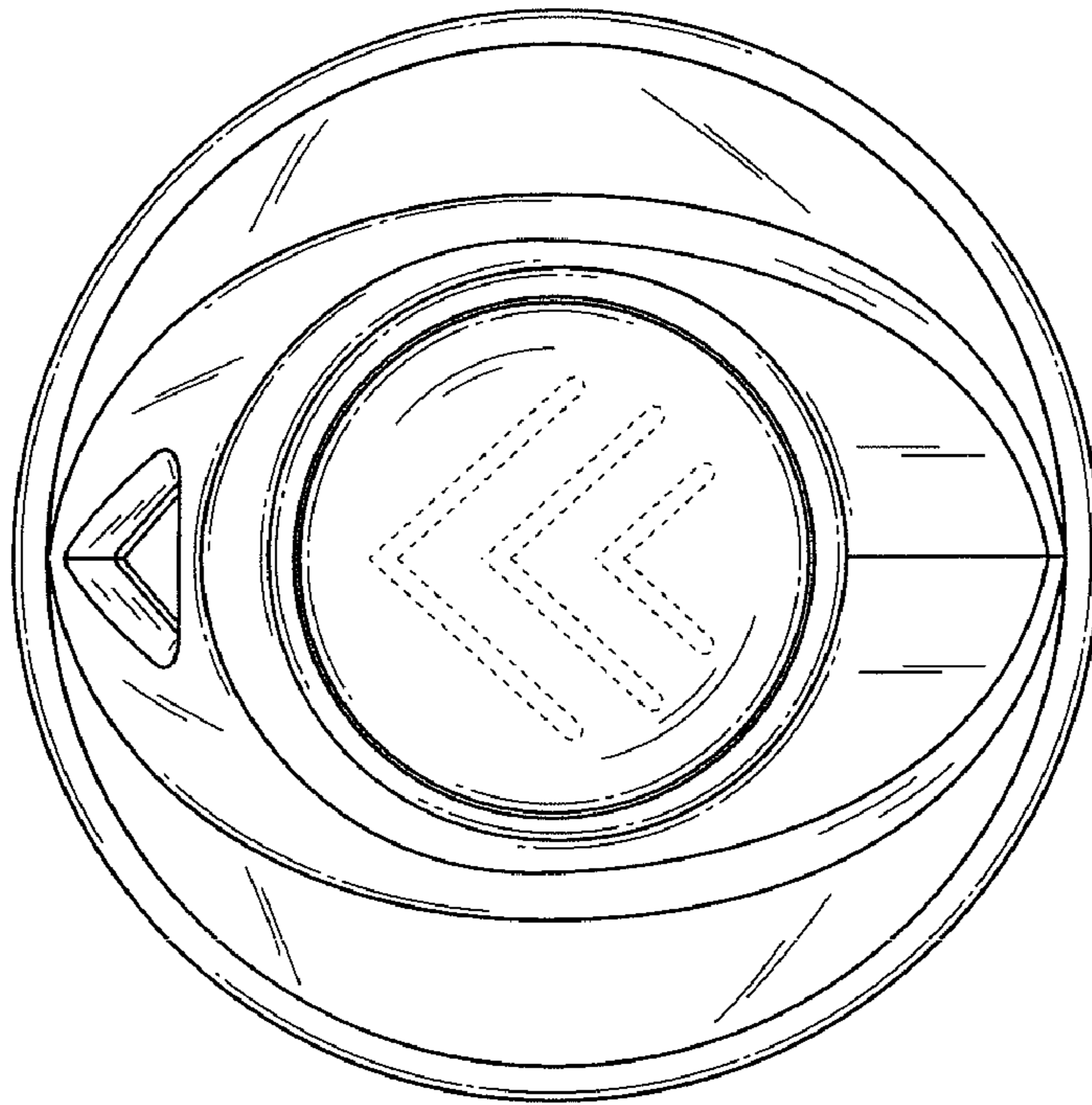


Fig. 13

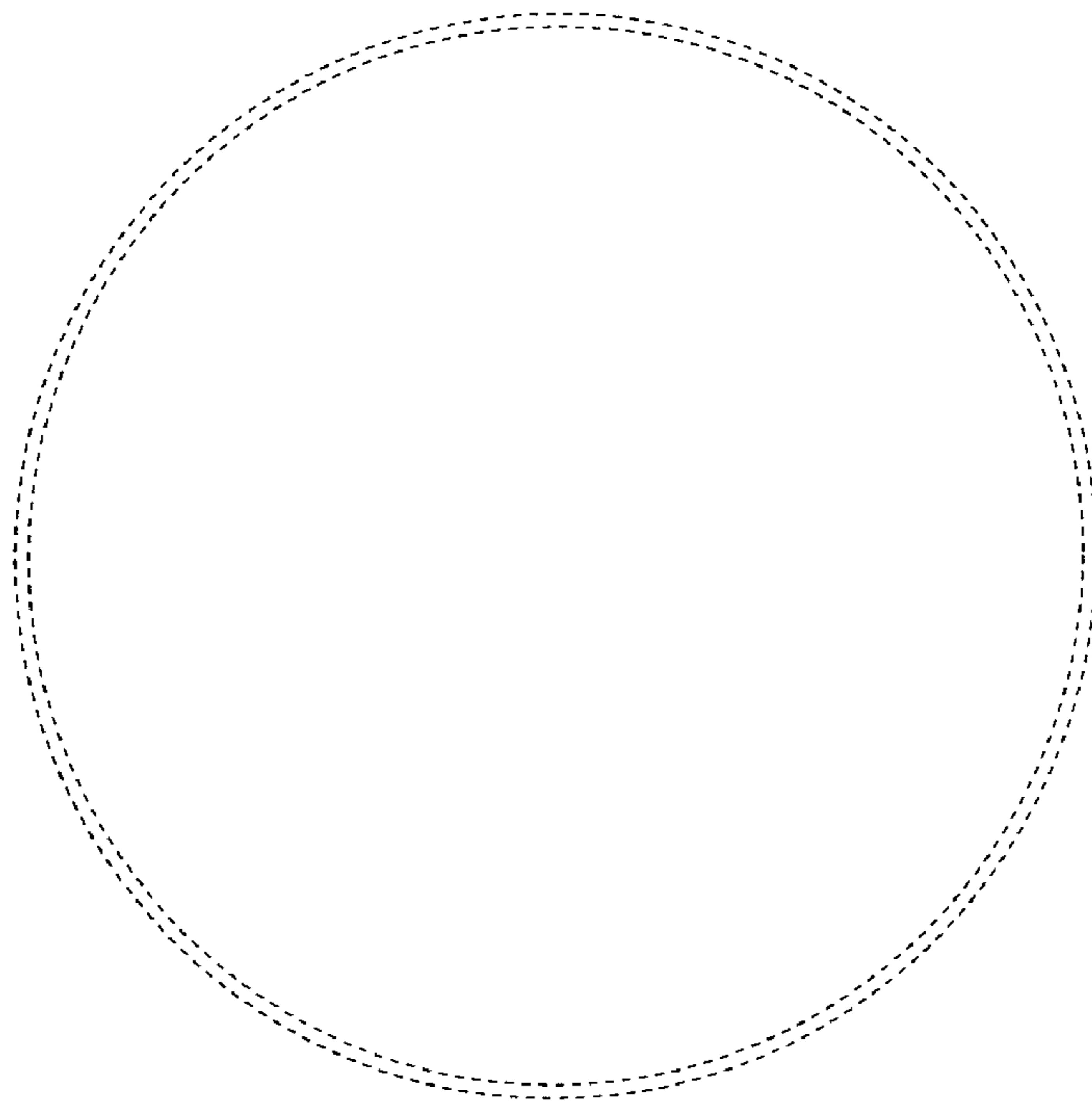


Fig. 14