

US00D599664S

(12) **United States Design Patent**
Fujinami et al.

(10) **Patent No.:** **US D599,664 S**

(45) **Date of Patent:** **** Sep. 8, 2009**

(54) **TOP PORTION OF A CONTAINER**
(75) Inventors: **Susumu Fujinami**, Chuo-ku (JP);
Koichi Sagara, Sumida-ku (JP);
Shigeyuki Kawamata, Sumida-ku (JP);
Shigeo Kamata, Koto-ku (JP)

7,048,137 B2 * 5/2006 Leoncavallo et al. 220/288
D528,921 S * 9/2006 Leoncavallo et al. D9/530
D539,607 S * 4/2007 Lapsker D7/510
D543,454 S * 5/2007 Leoncavallo et al. D9/449
D552,476 S * 10/2007 Yelland D9/538
D572,585 S * 7/2008 Perrin et al. D9/443
2004/0217139 A1 * 11/2004 Roth et al. 224/148.7

(73) Assignees: **Kao Corporation**, Tokyo (JP); **Yoshino Kogyosho Co., Ltd.**, Tokyo (JP)

FOREIGN PATENT DOCUMENTS

JP 4157986 7/2008

(**) Term: **14 Years**

* cited by examiner

(21) Appl. No.: **29/328,025**

Primary Examiner—Susan Bennett Hattan

(22) Filed: **Nov. 18, 2008**

(74) *Attorney, Agent, or Firm*—Oblon, Spivak, McClelland, Maier & Neustadt, P.C.

(30) **Foreign Application Priority Data**

(57) **CLAIM**

May 21, 2008 (JP) 2008-012666

The ornamental design for a top portion of a container, as shown and described.

(51) **LOC (9) Cl.** **09-07**

DESCRIPTION

(52) **U.S. Cl.** **D9/443; D7/392.1**

(58) **Field of Classification Search** D9/780,
D9/763, 538, 447, 443, 438, 435, 434; D7/392.1;
224/148.7; 220/906, 730, 713, 703, 288,
220/276, 273, 270, 269, 258.5, 254.4, 253
See application file for complete search history.

FIG. 1 is a perspective view of a top portion of a container;
FIG. 2 is a front view thereof;
FIG. 3 is a top plan view thereof;
FIG. 4 is a left side view thereof;
FIG. 5 is a right side view thereof; and,
FIG. 6 is an enlarged partial view thereof.

(56) **References Cited**

U.S. PATENT DOCUMENTS

D316,184 S * 4/1991 Mikkelsen D3/215
D336,247 S * 6/1993 Solomon D9/435
D422,503 S * 4/2000 Lehn D9/503
D485,757 S * 1/2004 Roth et al. D9/443
D505,294 S * 5/2005 Gauss D7/392.1
D508,185 S * 8/2005 Gauss D7/392.1
D519,380 S * 4/2006 Leoncavallo et al. D9/530

The evenly spaced broken lines on the drawing disclosure depict environmental subject matter only and form no part of the claimed design. The lines consisting of long lines and dots indicate a conceptual border line between the claimed portions and the disclaimed portions and form no part of the claimed design.

1 Claim, 6 Drawing Sheets

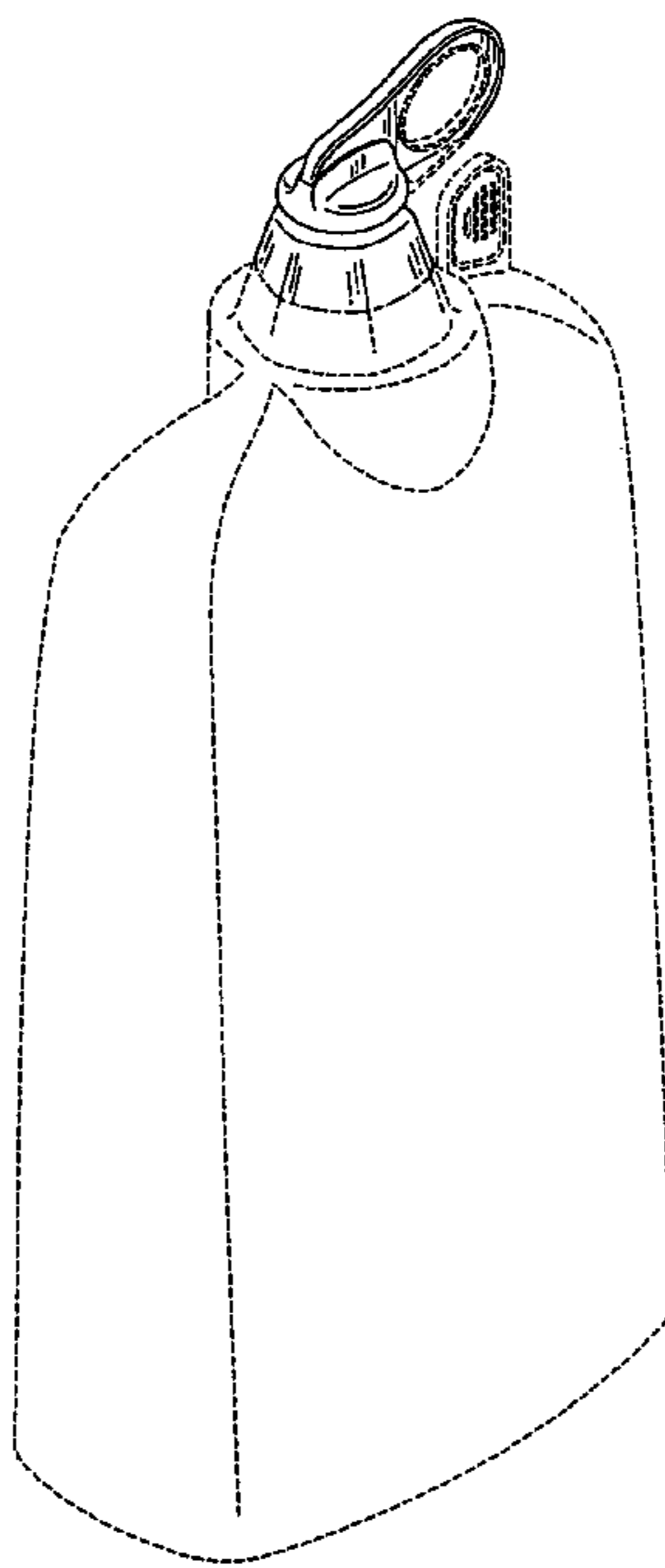


Fig. 1

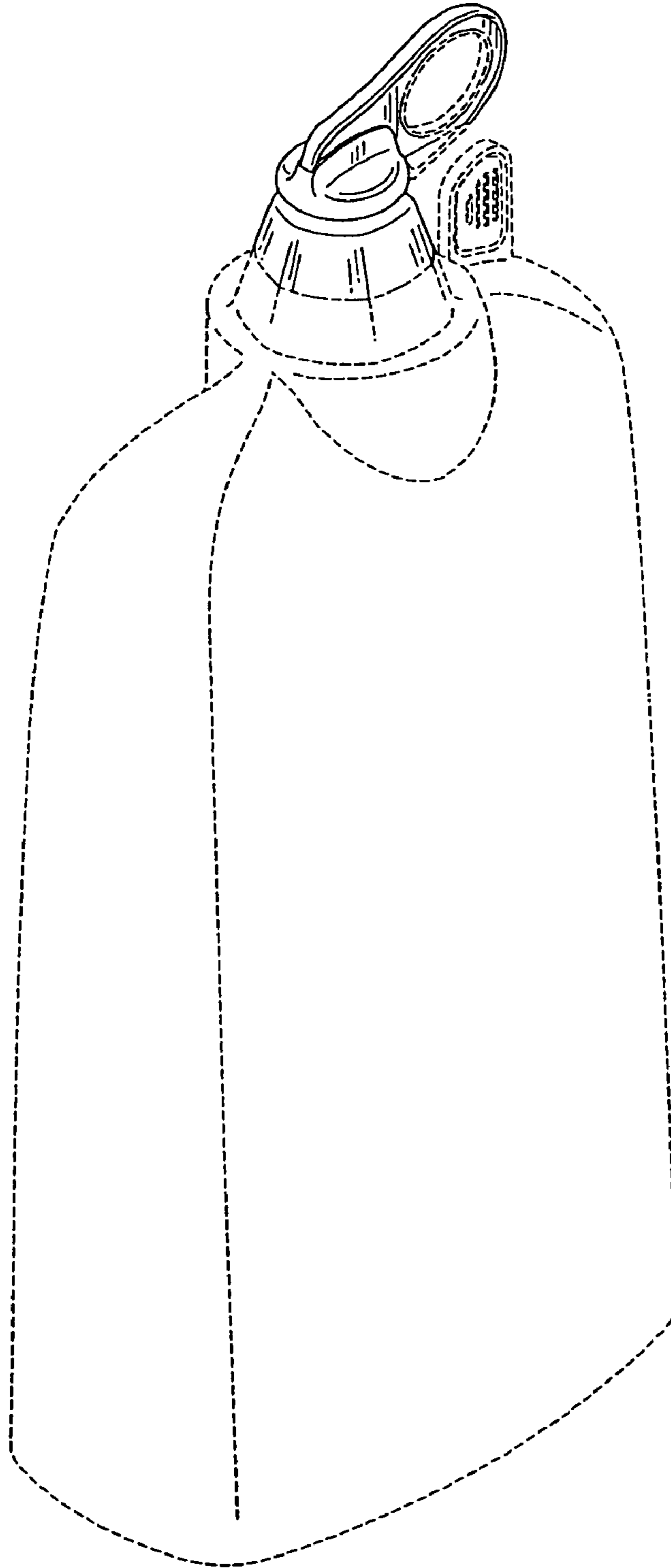


Fig.2

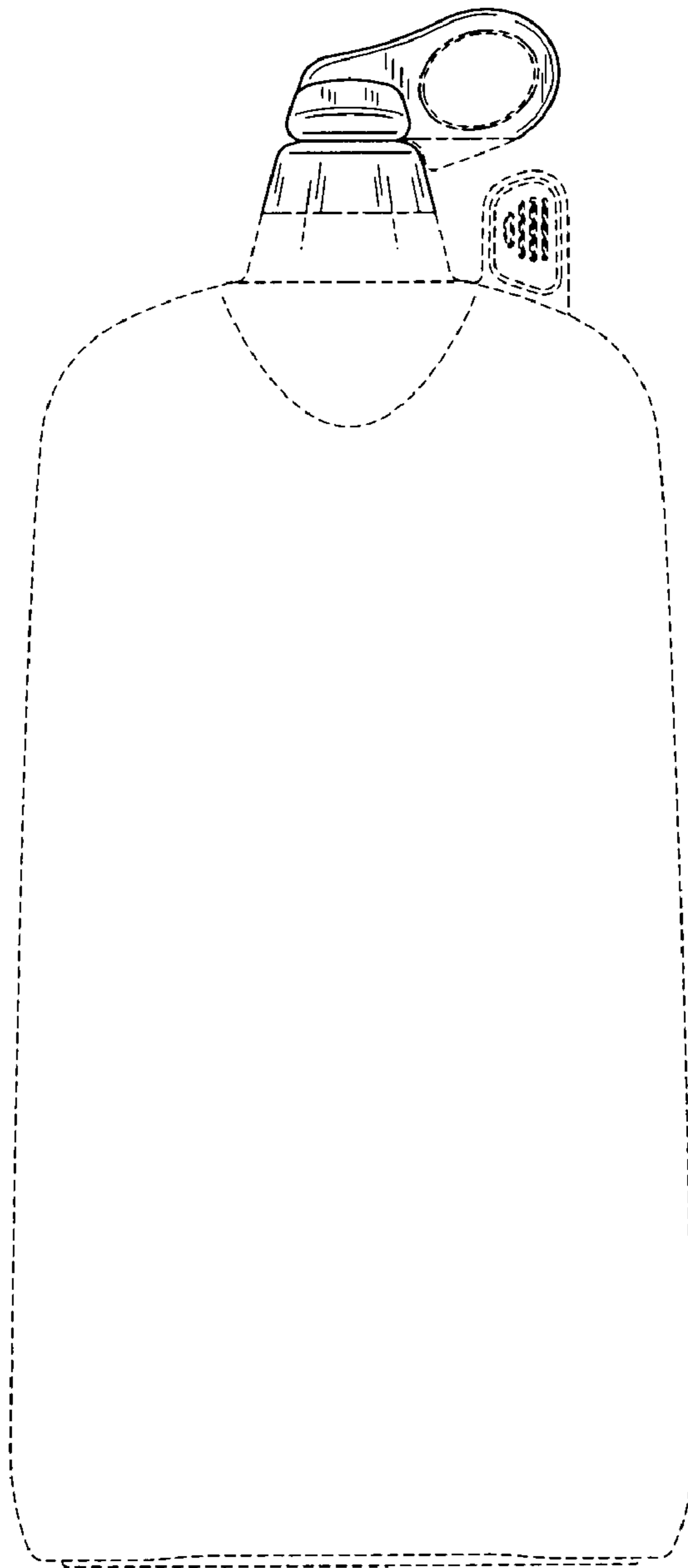


Fig.3

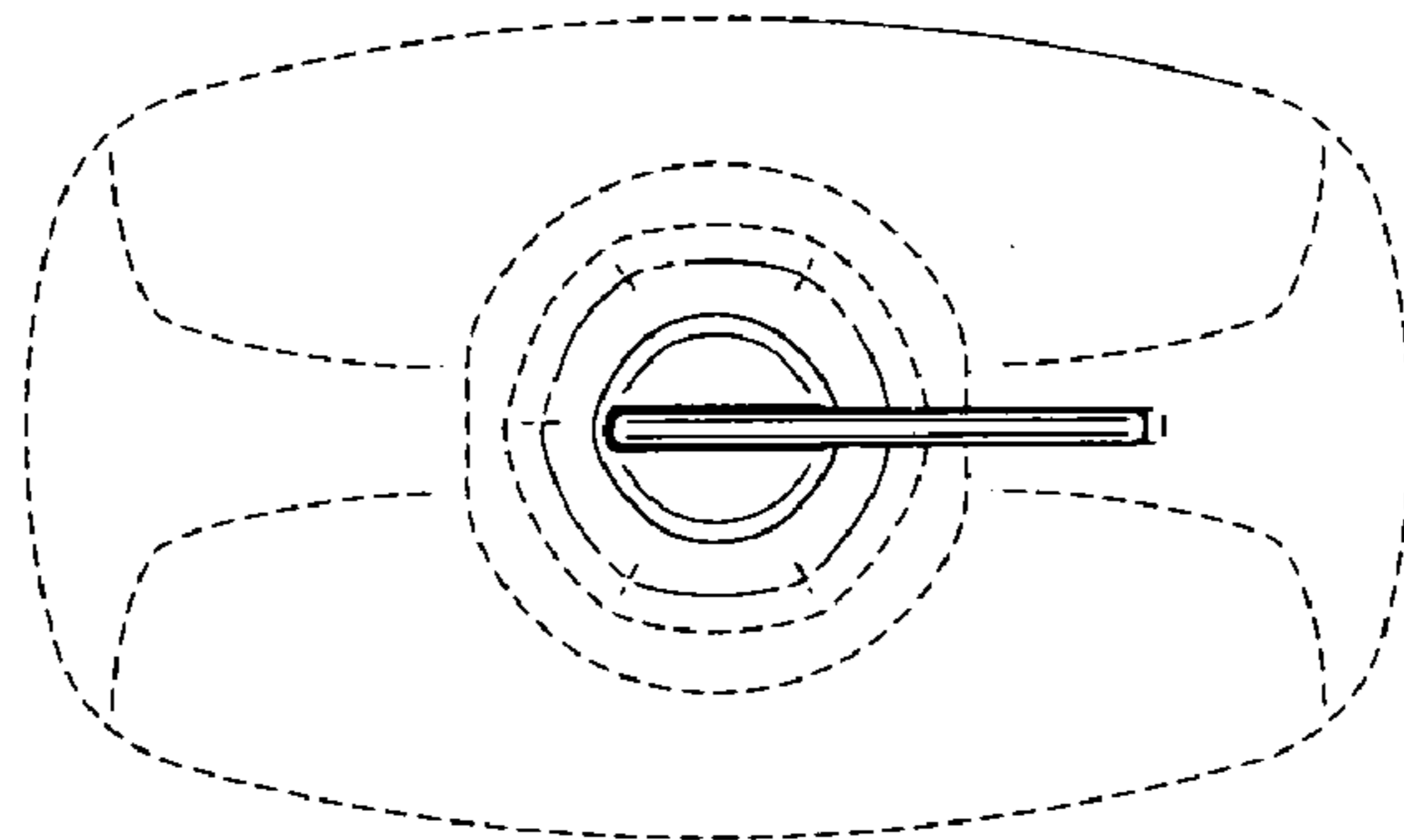


Fig.4

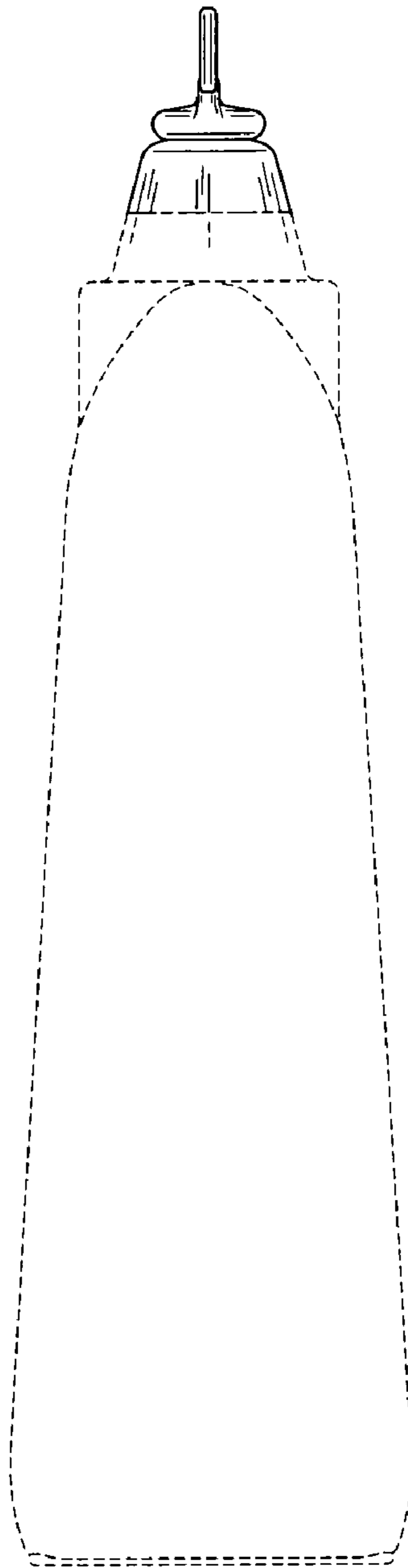


Fig.5

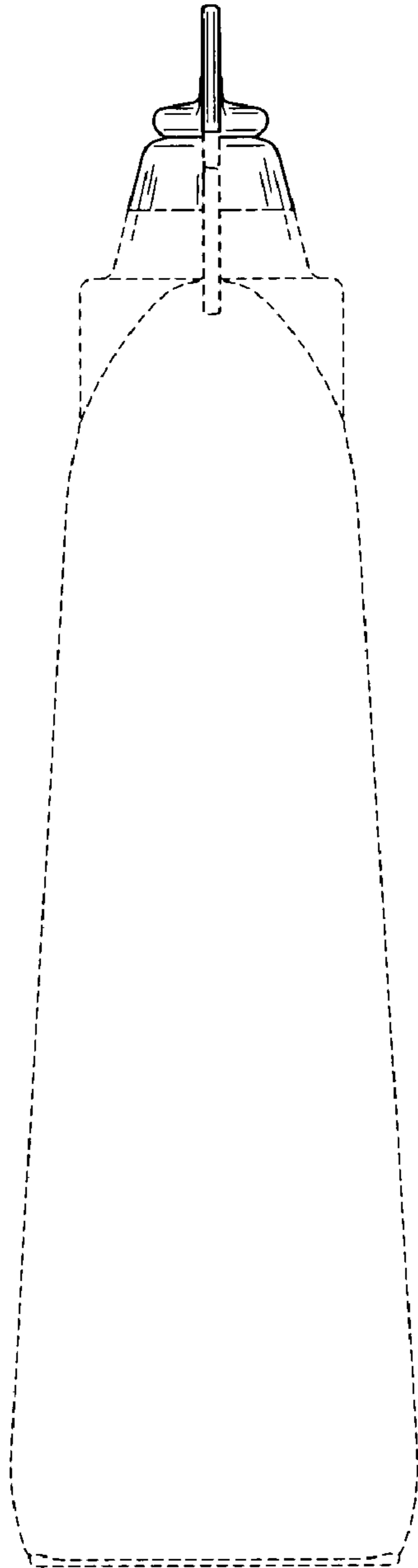


Fig.6

