



US00D599655S

(12) **United States Design Patent**
Friebe et al.

(10) **Patent No.:** **US D599,655 S**
(45) **Date of Patent:** **** Sep. 8, 2009**

(54) **FOIL PACKAGE**

4,541,546 A 9/1985 Imazu et al.

(75) Inventors: **Joachim Friebe**, Heimertingen (DE);
Andreas Michalsky, Memmingen (DE);
Maurice Habram, Kempten (DE);
Agata Surdziel, Kempten (DE); **Peter Ganz**, Untrasried (DE)

(Continued)

FOREIGN PATENT DOCUMENTS

DE 1723470 5/1956

(Continued)

(73) Assignee: **Huhtamaki Ronsberg, Zweigniederlassung der Huhtamaki Deutschland GmbH & Co. KG** (DE)

Primary Examiner—Caron Veynar
Assistant Examiner—Abraham Bahta

(74) *Attorney, Agent, or Firm*—Knobbe Martens Olson & Bear LLP

(**) Term: **14 Years**

(21) Appl. No.: **29/299,491**

(57) **CLAIM**

(22) Filed: **Dec. 27, 2007**

The ornamental design for a foil package, as shown and described.

Related U.S. Application Data

(62) Division of application No. 29/231,547, filed on Jun. 7, 2005.

DESCRIPTION

(30) **Foreign Application Priority Data**

Apr. 19, 2005 (EP) 000330485

FIG. 1 is a first front side perspective view of a foil package and movable cover showing our new design with the cover in an open position;

(51) **LOC (9) Cl.** **09-03**

(52) **U.S. Cl.** **D9/420**

FIG. 2 is a second front side perspective view thereof with a removable lid on the foil package and the cover in an open position;

(58) **Field of Classification Search** D9/423-424,
D9/432, 414, 516, 529, 549, 551, 564, 428,
D9/763, 764, 767, 772, 779, 780, 781; D3/201;
D7/82, 88; 229/225-234; 206/265, 268;
D27/186-189, 183

FIG. 3 is a third front side perspective view thereof with the cover in a closed position;

See application file for complete search history.

FIG. 4 is a bottom view thereof with the cover in the closed position;

(56) **References Cited**

U.S. PATENT DOCUMENTS

2,370,226 A 2/1945 Brede et al.
2,626,647 A 1/1953 Barton
3,604,491 A 9/1971 Spiess
D231,968 S 7/1974 Juhlin
D246,029 S 10/1977 Lynn et al.
D248,373 S * 7/1978 Allen D9/503
D274,848 S 7/1984 Chevassus

FIG. 5 is a front view thereof with the cover in the closed position;

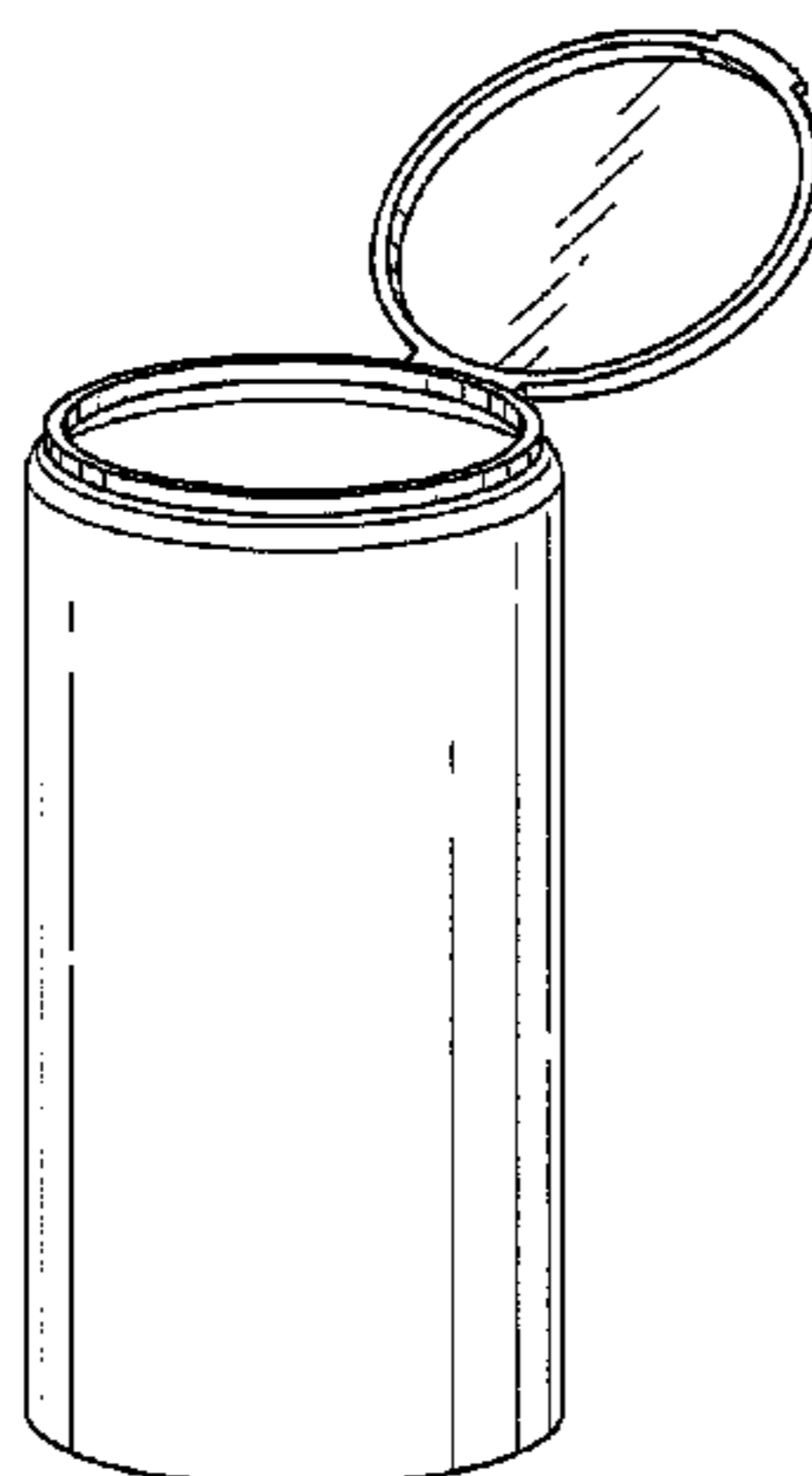
FIG. 6 is a front perspective view thereof with the cover in the closed position;

FIG. 7 is a top view thereof with the cover in the closed position; and,

FIG. 8 is a perspective view thereof with the cover in the closed position.

The broken lines shown in the drawings are for illustrative purposes only and form no part of the claimed design.

1 Claim, 3 Drawing Sheets



US D599,655 S

Page 2

U.S. PATENT DOCUMENTS

D280,975 S 10/1985 Van Dine
 4,997,661 A 3/1991 Kromer et al.
 D316,671 S 5/1991 Rohmeder
 D322,753 S 12/1991 Sussman
 5,205,651 A 4/1993 Decottignies et al.
 D340,836 S * 11/1993 Cautereels D7/511
 5,263,606 A 11/1993 Dutt et al.
 D363,642 S 10/1995 Goto et al.
 D379,714 S * 6/1997 Cerny et al. D3/264
 5,823,383 A 10/1998 Hins
 5,878,873 A * 3/1999 Clark 206/6
 5,913,449 A 6/1999 Branch et al.
 5,939,153 A 8/1999 Valyi
 6,050,451 A 4/2000 Hess, III et al.
 D427,427 S * 7/2000 Davis D3/203.5
 6,123,211 A 9/2000 Rashid et al.
 D445,337 S * 7/2001 Croft et al. D9/504
 D446,456 S 8/2001 Adachi et al.
 6,270,867 B1 8/2001 Eckstein et al.
 6,334,710 B1 1/2002 Kuge et al.
 6,399,014 B1 6/2002 Hermodsson
 D464,888 S 10/2002 Slater et al.
 6,472,007 B2 * 10/2002 Bezek et al. 426/115
 D466,814 S 12/2002 Hurlburt
 D467,131 S 12/2002 Wright et al.
 D467,811 S 12/2002 Slater et al.
 D471,064 S 3/2003 Renz
 D472,806 S * 4/2003 Bezek et al. D9/428
 D477,225 S 7/2003 Pinnavaia
 D477,536 S 7/2003 Kudo et al.
 D480,307 S 10/2003 Canamasas Puigbo
 D481,644 S 11/2003 Noh
 6,783,277 B2 8/2004 Edwards et al.
 D495,607 S * 9/2004 Bezek D9/549
 D526,190 S 8/2006 Bolt et al.
 D530,208 S 10/2006 Danne et al.

D530,572 S 10/2006 Daams
 D536,254 S 2/2007 Ashiwa
 D546,188 S 7/2007 Penfold et al.
 D546,694 S 7/2007 Penfold et al.
 D554,508 S * 11/2007 YunFu et al. D9/520
 D555,490 S * 11/2007 Liu et al. D9/549
 D571,197 S * 6/2008 Sanfilippo et al. D9/420
 2001/0042757 A1 11/2001 Kuge et al.
 2002/0162863 A1 11/2002 Brincat
 2002/0182351 A1 12/2002 Akiyama et al.
 2003/0059130 A1 3/2003 Yoneyama et al.
 2005/0262813 A1 12/2005 Michalsky
 2005/0265636 A1 12/2005 Michalsky

FOREIGN PATENT DOCUMENTS

DE	1757066	11/1957
DE	3208625	10/1982
DE	9107722	8/1991
DE	4429148	2/1996
DE	29920874	2/2000
DE	20214197 U1	11/2002
DE	20212251	1/2003
EP	595587	5/1994
EP	0772522	5/1997
EP	833774	4/1998
EP	1362797	11/2003
FI	109193	2/2000
FR	293944 B	10/1971
JP	2000006999	1/2000
JP	2001080650	3/2001
JP	2002/104446	4/2002
WO	WO 96/03281	2/1996
WO	WO 99/94227	12/1999
WO	WO 00/00396	1/2000
WO	WO 00/49908	8/2000
WO	WO 00/50314	8/2000

* cited by examiner

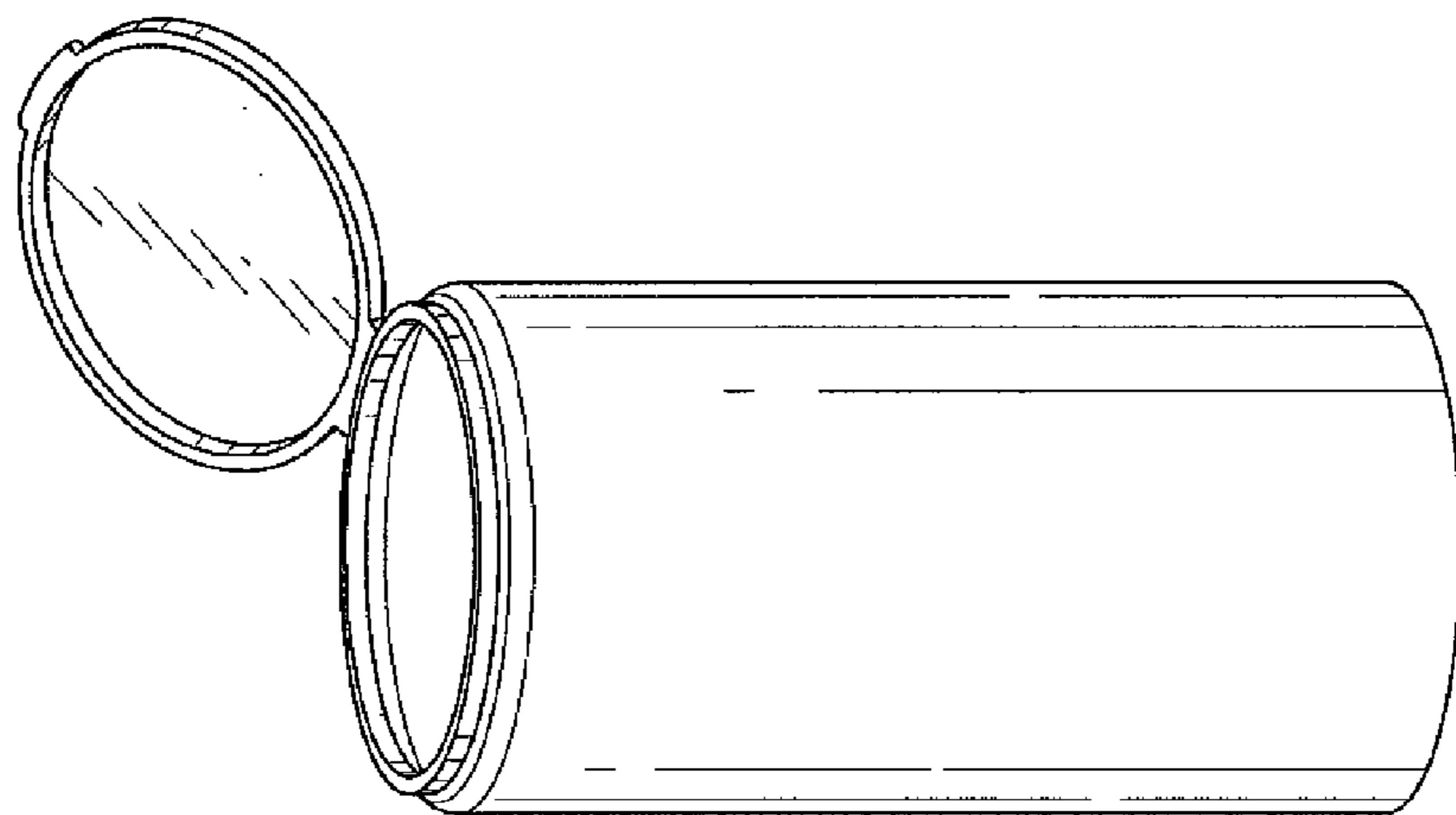


FIG. 1

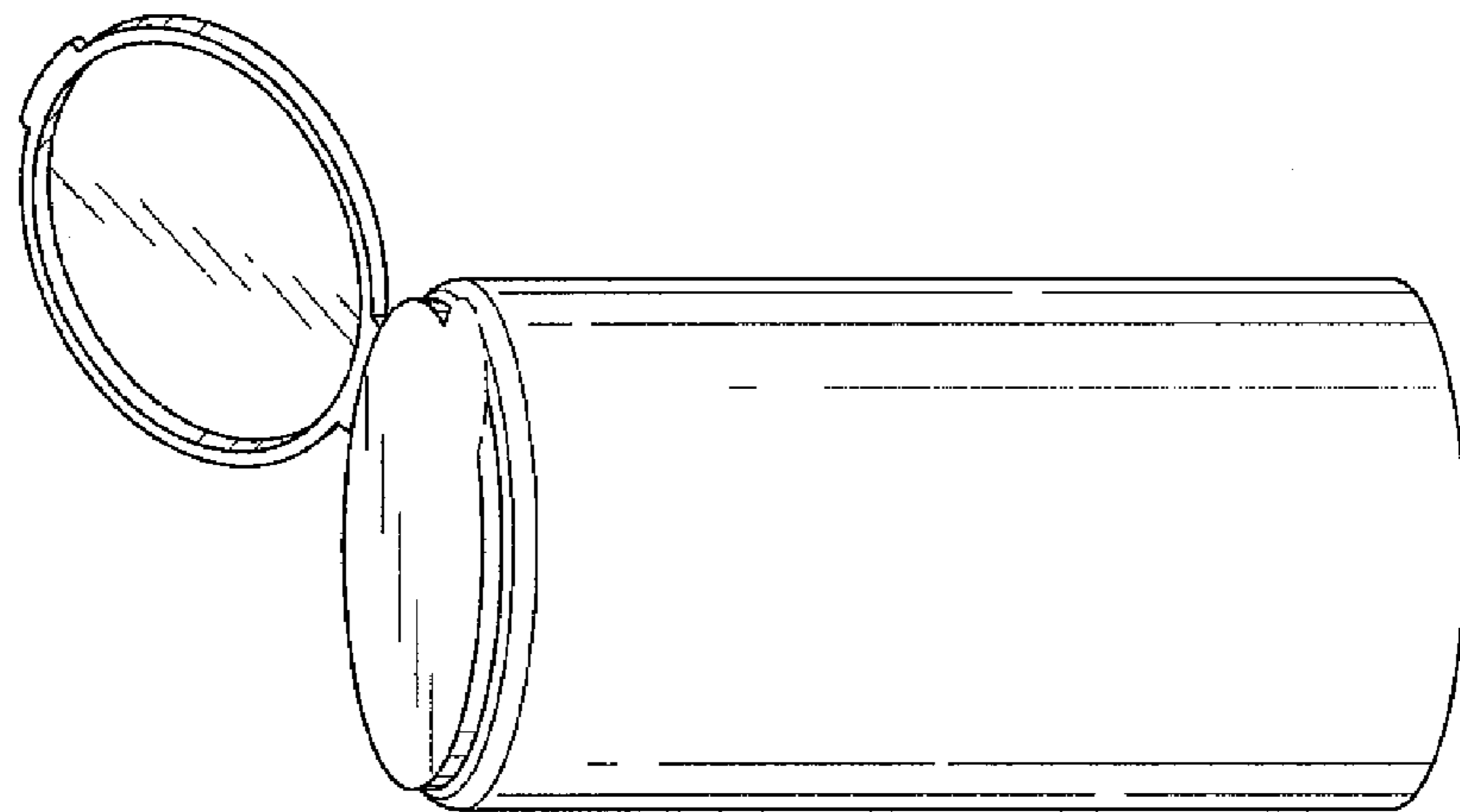


FIG. 2

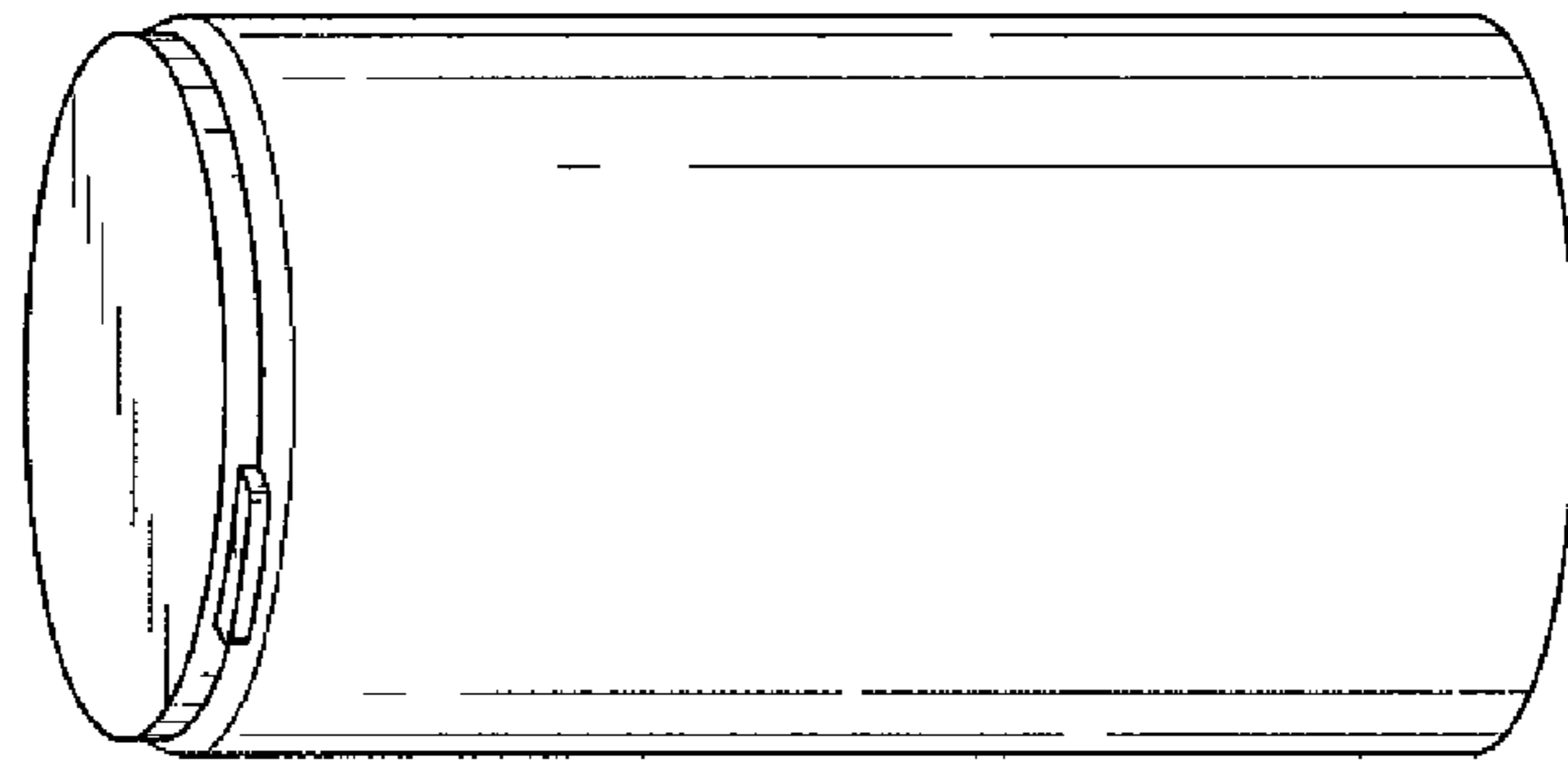


FIG. 3

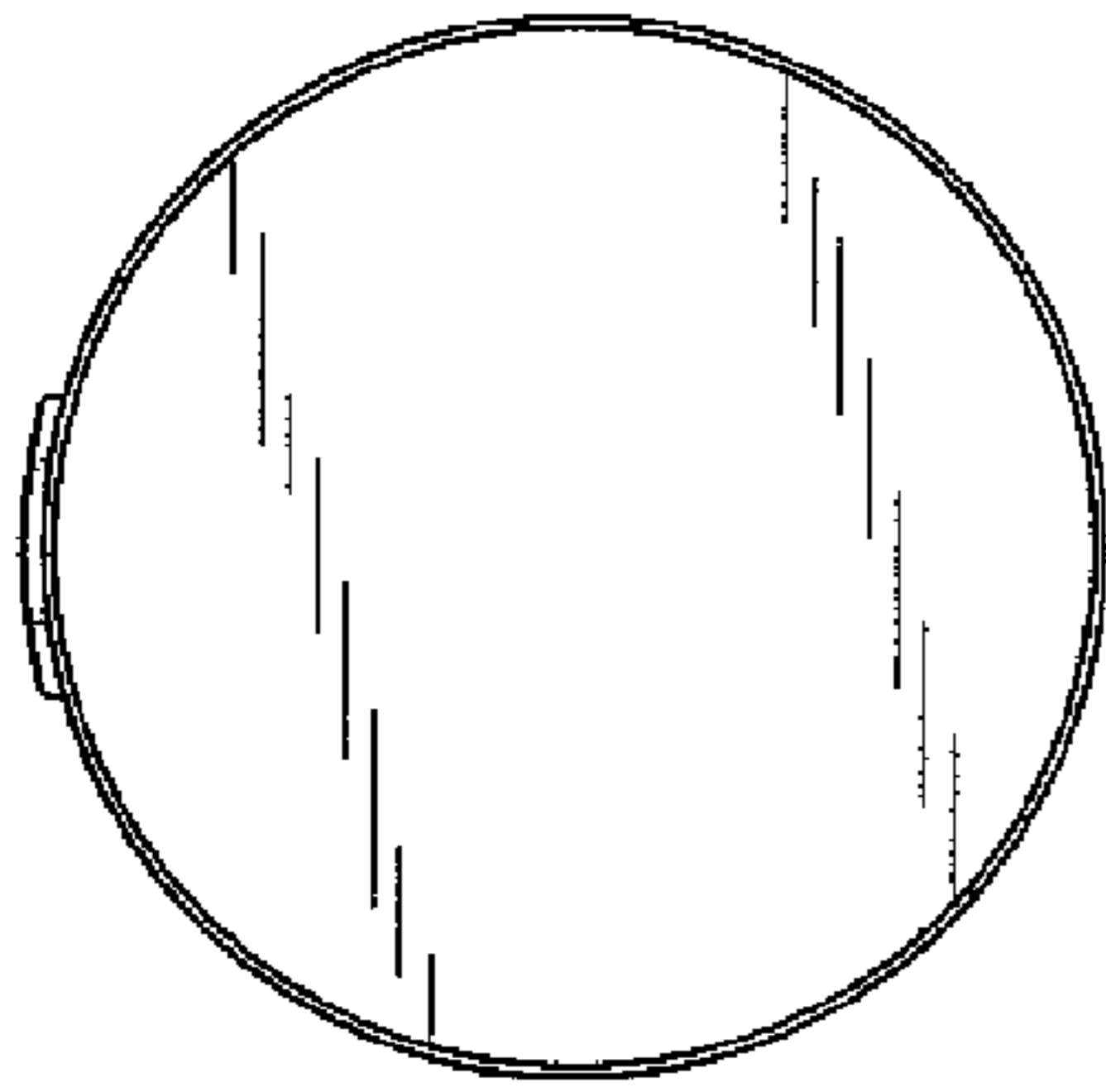


FIG. 4

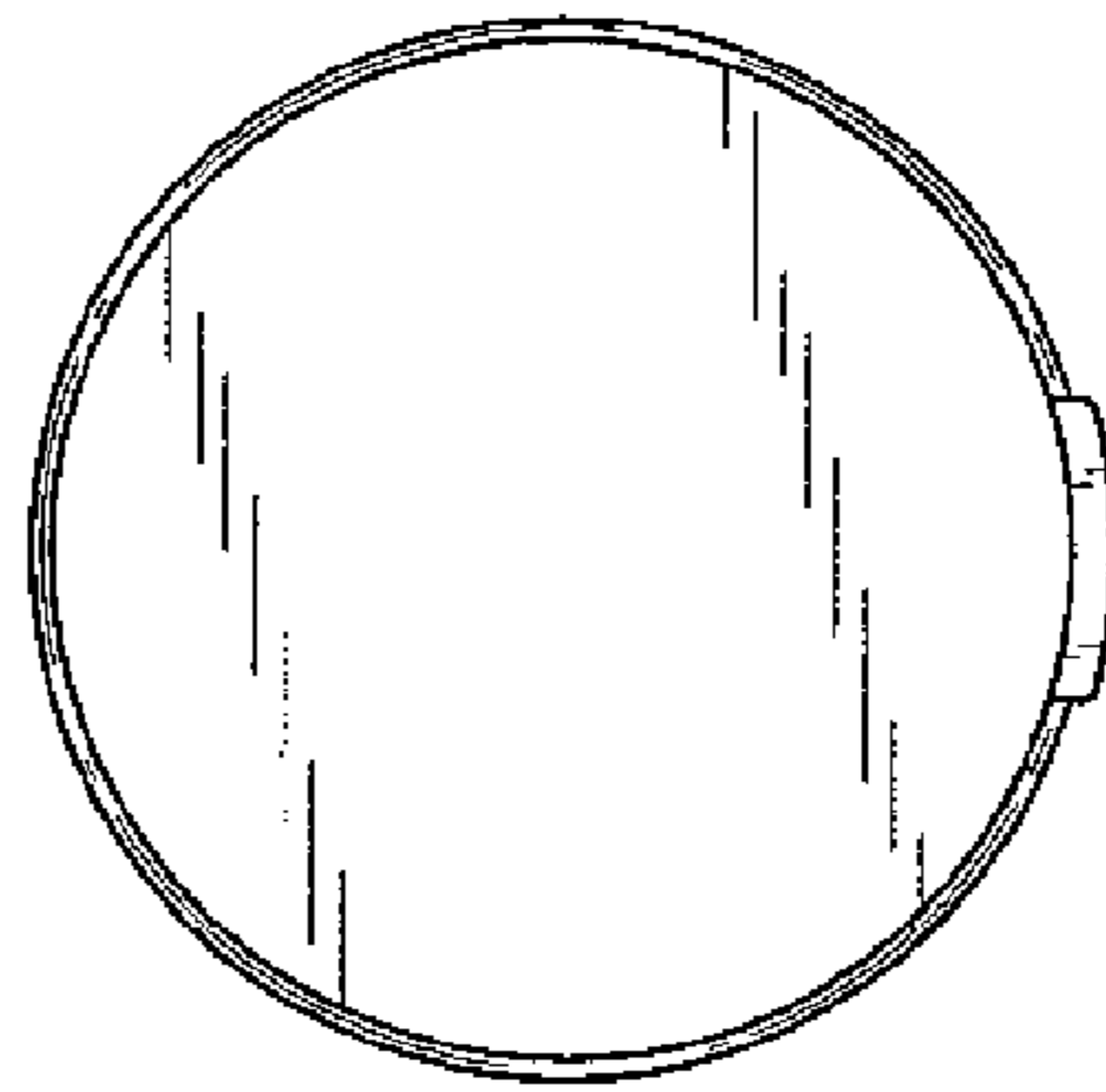


FIG. 7

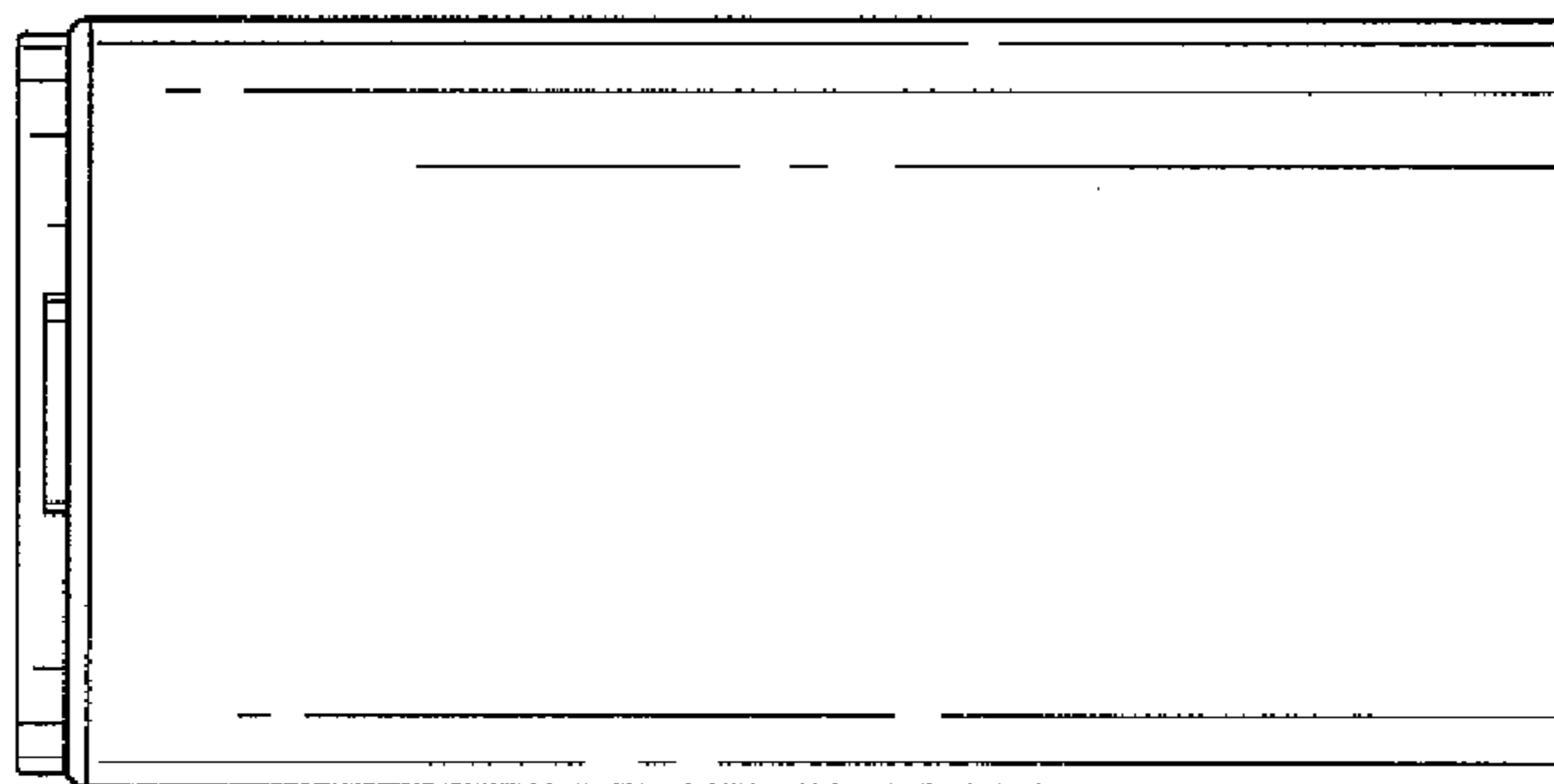


FIG. 5

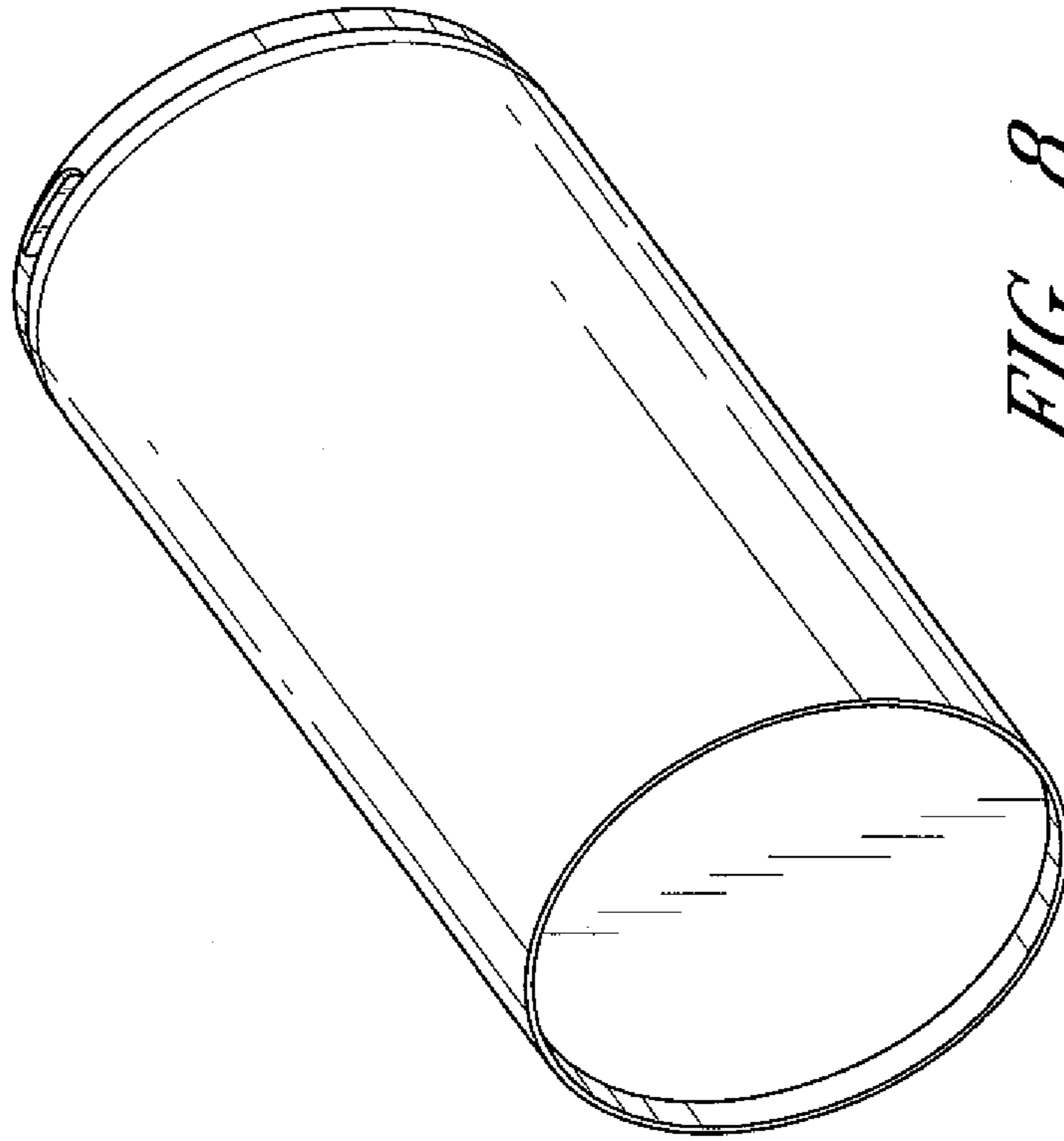


FIG. 8

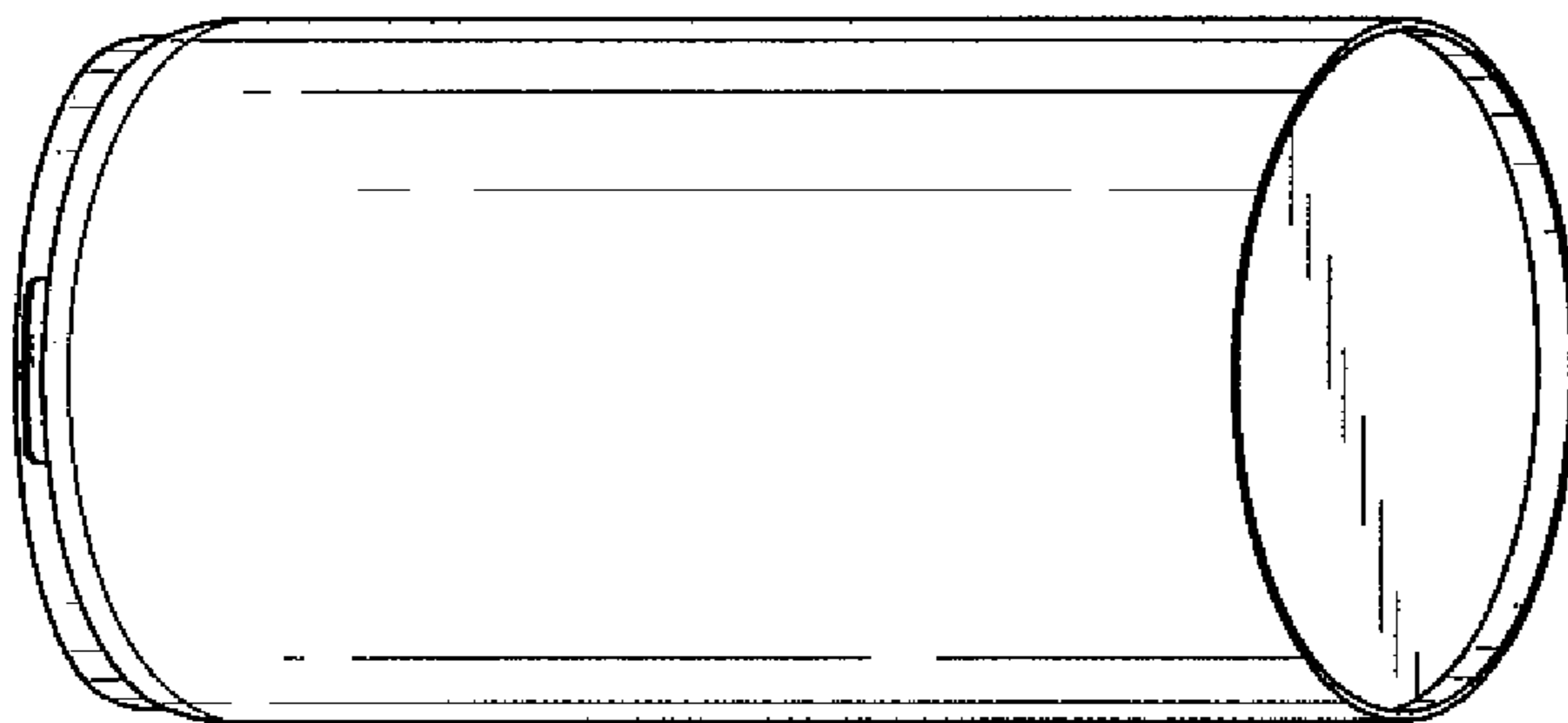


FIG. 6