



US00D599651S

(12) **United States Design Patent**  
**Riggsbee**

(10) **Patent No.:** **US D599,651 S**

(45) **Date of Patent:** **\*\* Sep. 8, 2009**

(54) **CLAMP**

(76) **Inventor:** **Jamie W. Riggsbee**, 10884 Shadow Glen Dr., Loveland, OH (US) 45140

(\*\*) **Term:** **14 Years**

(21) **Appl. No.:** **29/333,901**

(22) **Filed:** **Mar. 17, 2009**

(51) **LOC (9) Cl.** ..... **08-08**

(52) **U.S. Cl.** ..... **D8/395**

(58) **Field of Classification Search** ..... D8/394-396, D8/72; D19/56, 65; 24/67.3; D32/60-64  
See application file for complete search history.

(56) **References Cited**

**U.S. PATENT DOCUMENTS**

462,358	A	*	11/1891	Knowles	.....	24/511
769,336	A	*	9/1904	Odell	.....	24/499
D302,568	S	*	8/1989	Berger	.....	D19/65
D306,876	S	*	3/1990	Greenhut et al.	.....	D19/65
5,079,808	A	*	1/1992	Brown	.....	24/67.7
5,318,292	A	*	6/1994	De Marco	.....	24/3.11
D375,976	S	*	11/1996	Marguerie	.....	D19/65
D493,487	S	*	7/2004	Nuttall et al.	.....	D19/65
D512,906	S	*	12/2005	Wood	.....	D8/395

D525,117	S	*	7/2006	Mariano et al.	.....	D8/395
D552,461	S	*	10/2007	Oas	.....	D8/395
D559,673	S	*	1/2008	Dash	.....	D8/395
D577,393	S	*	9/2008	Nada et al.	.....	D21/503
D593,609	S	*	6/2009	Blau	.....	D19/65

\* cited by examiner

*Primary Examiner*—T. Chase Nelson

*Assistant Examiner*—John Windmuller

(74) *Attorney, Agent, or Firm*—Wood, Herron & Evans, LLP

(57) **CLAIM**

The ornamental design for a clamp, as shown and described.

**DESCRIPTION**

FIG. 1 is a perspective view of a clamp showing my new design;

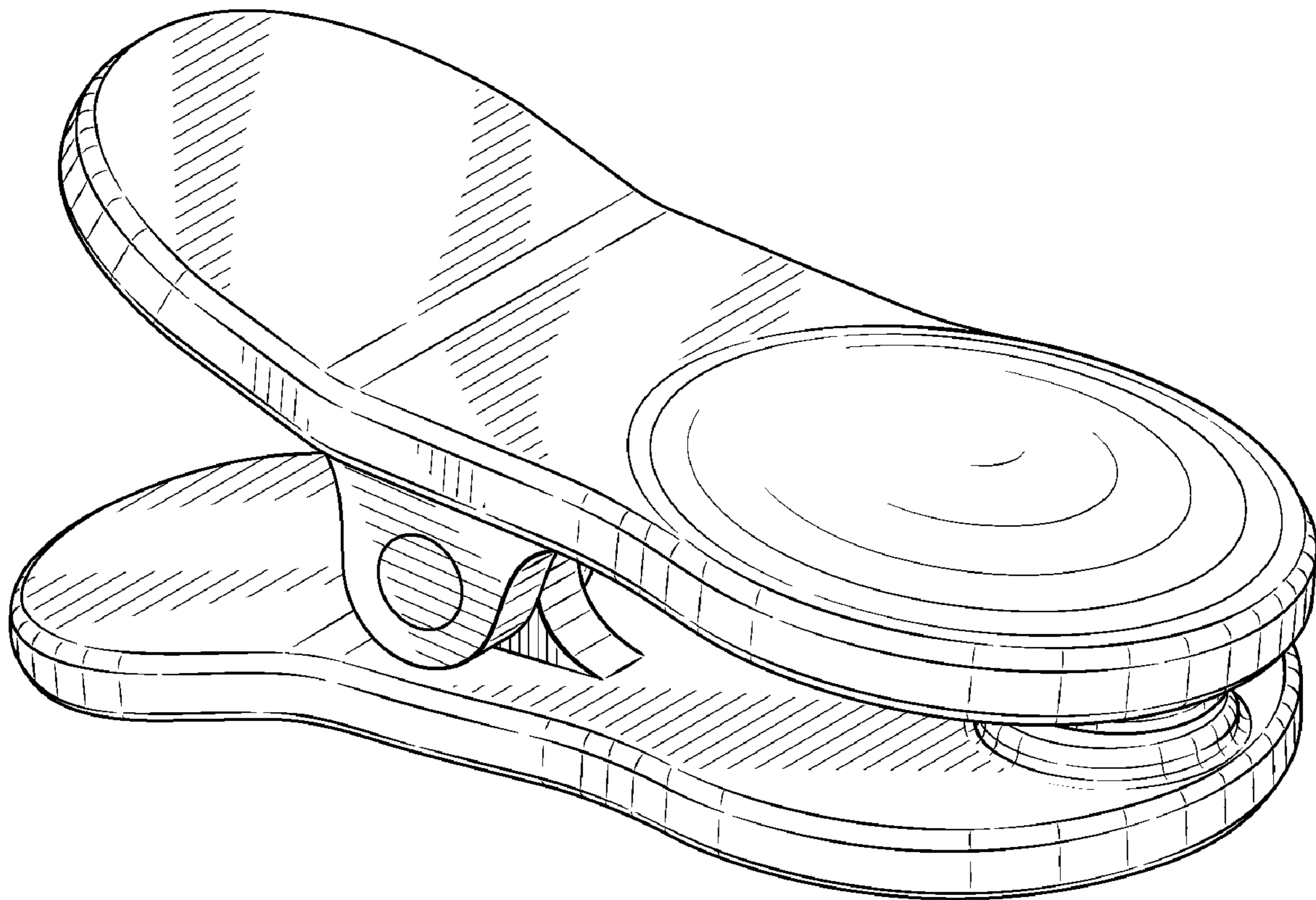
FIG. 2 is a left side view thereof, the right side view being a mirror image of the left side view;

FIG. 3 is a top view thereof, the bottom view being identical to the top view;

FIG. 4 is a front elevation view thereof; and,

FIG. 5 is a rear elevation view thereof.

**1 Claim, 2 Drawing Sheets**



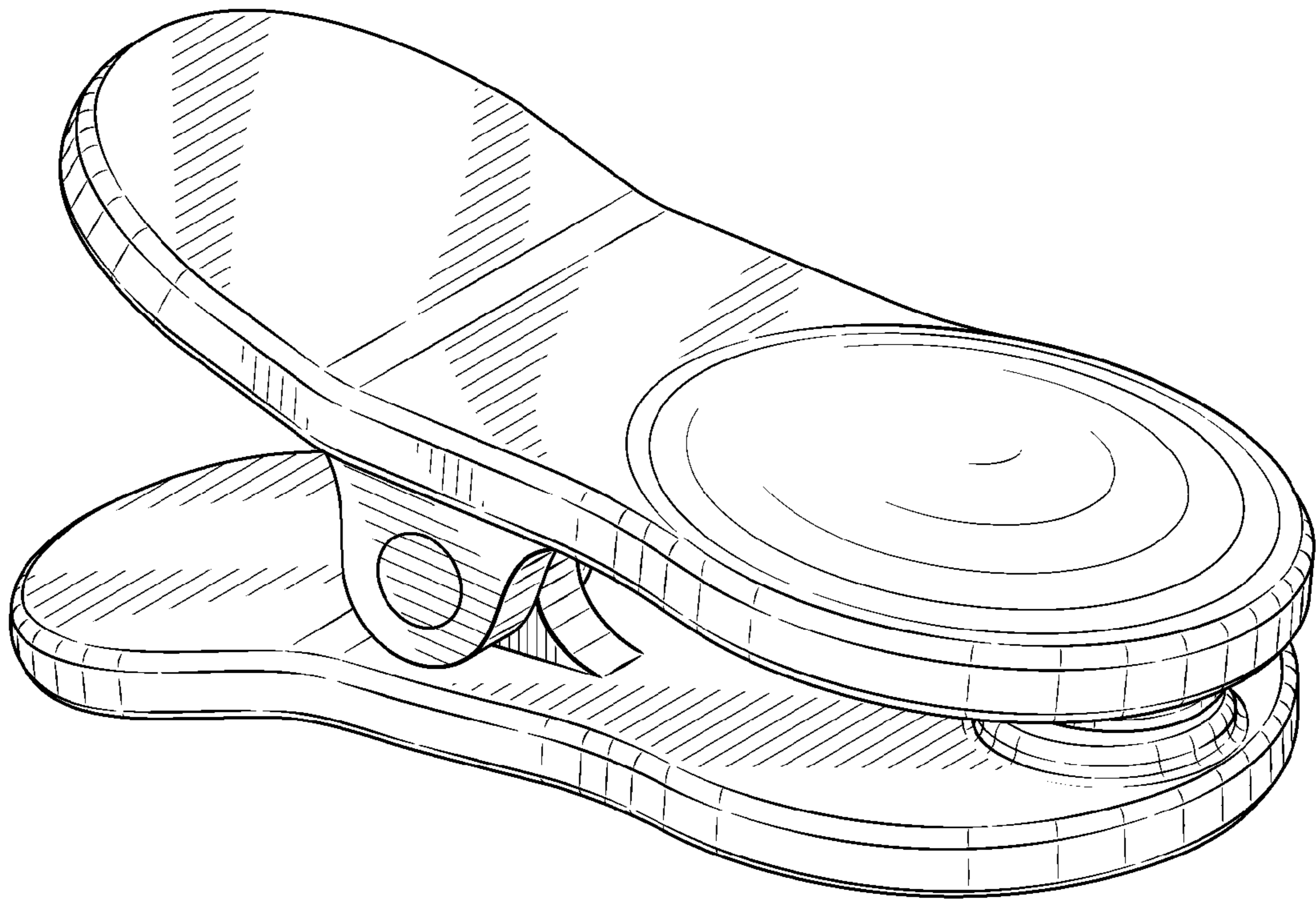


FIG. 1

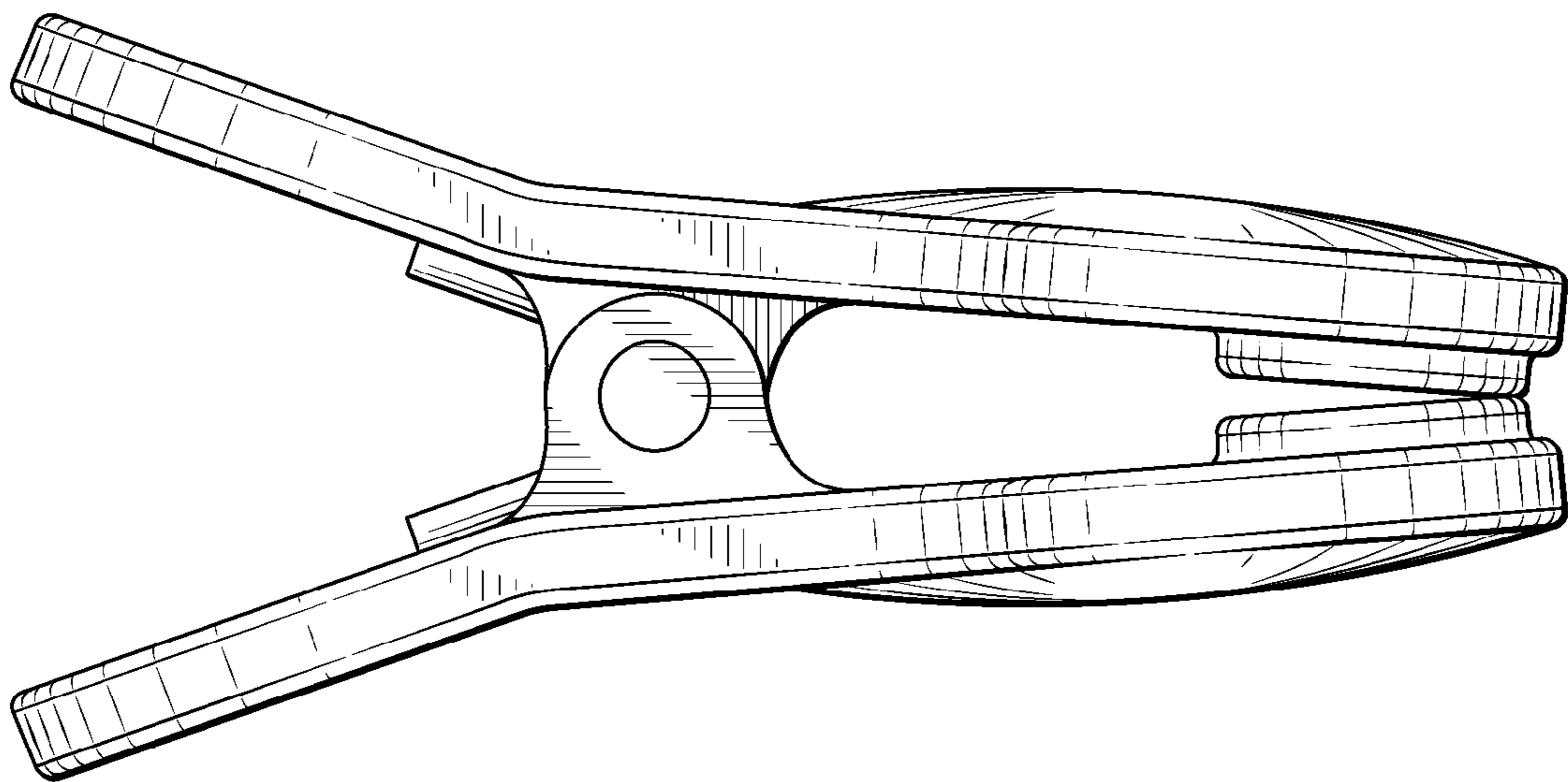


FIG. 2

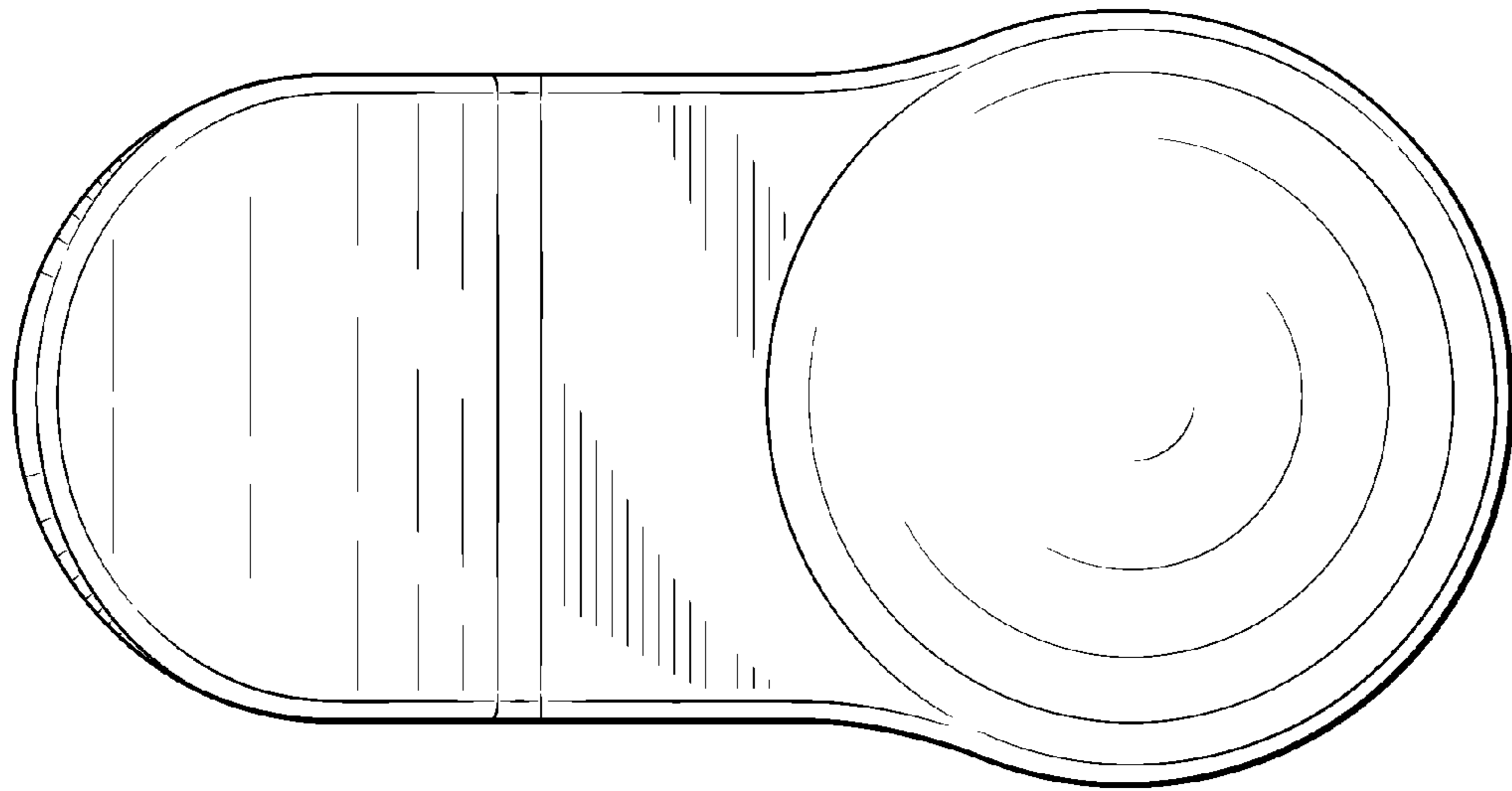


FIG. 3

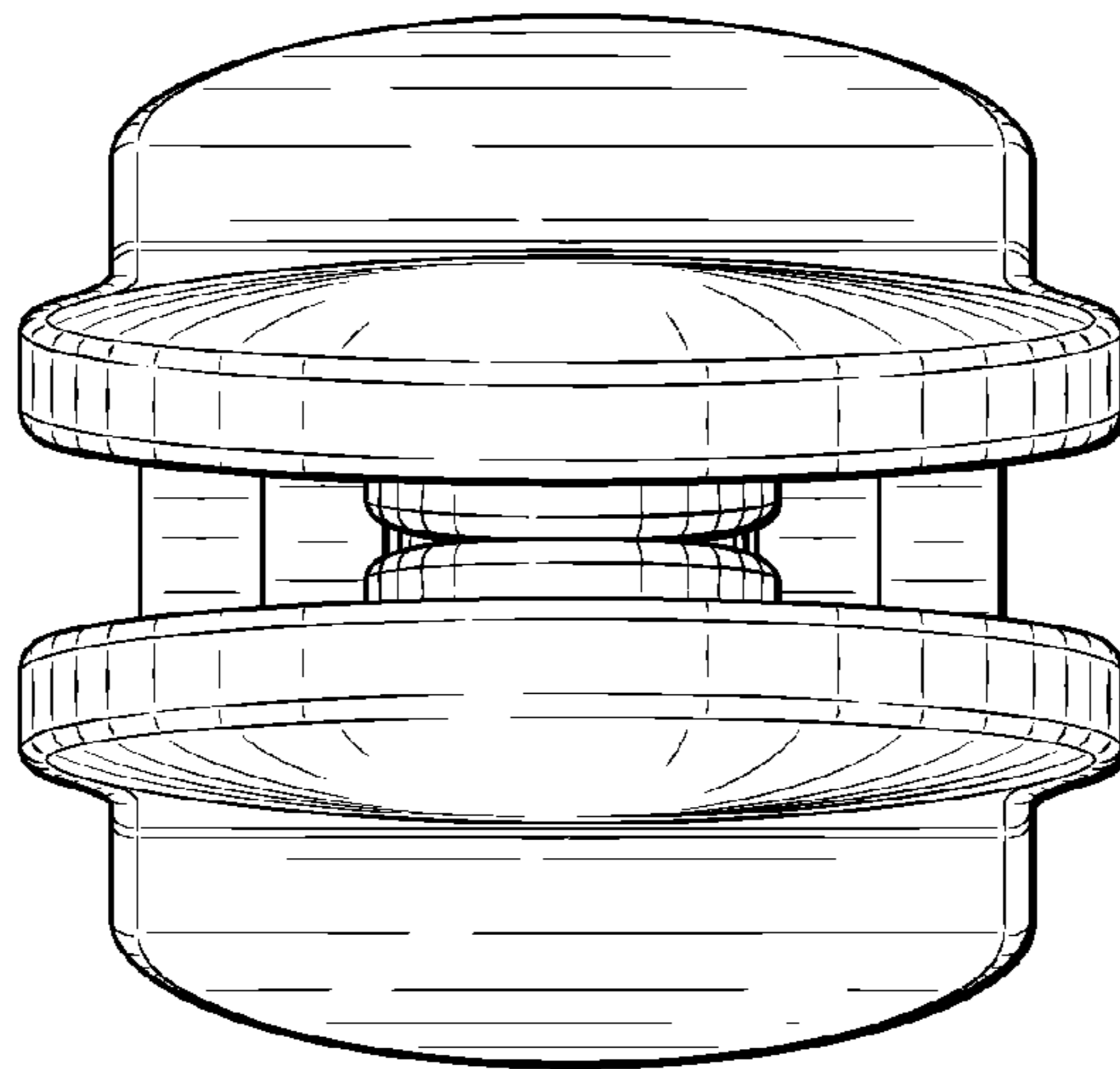


FIG. 4

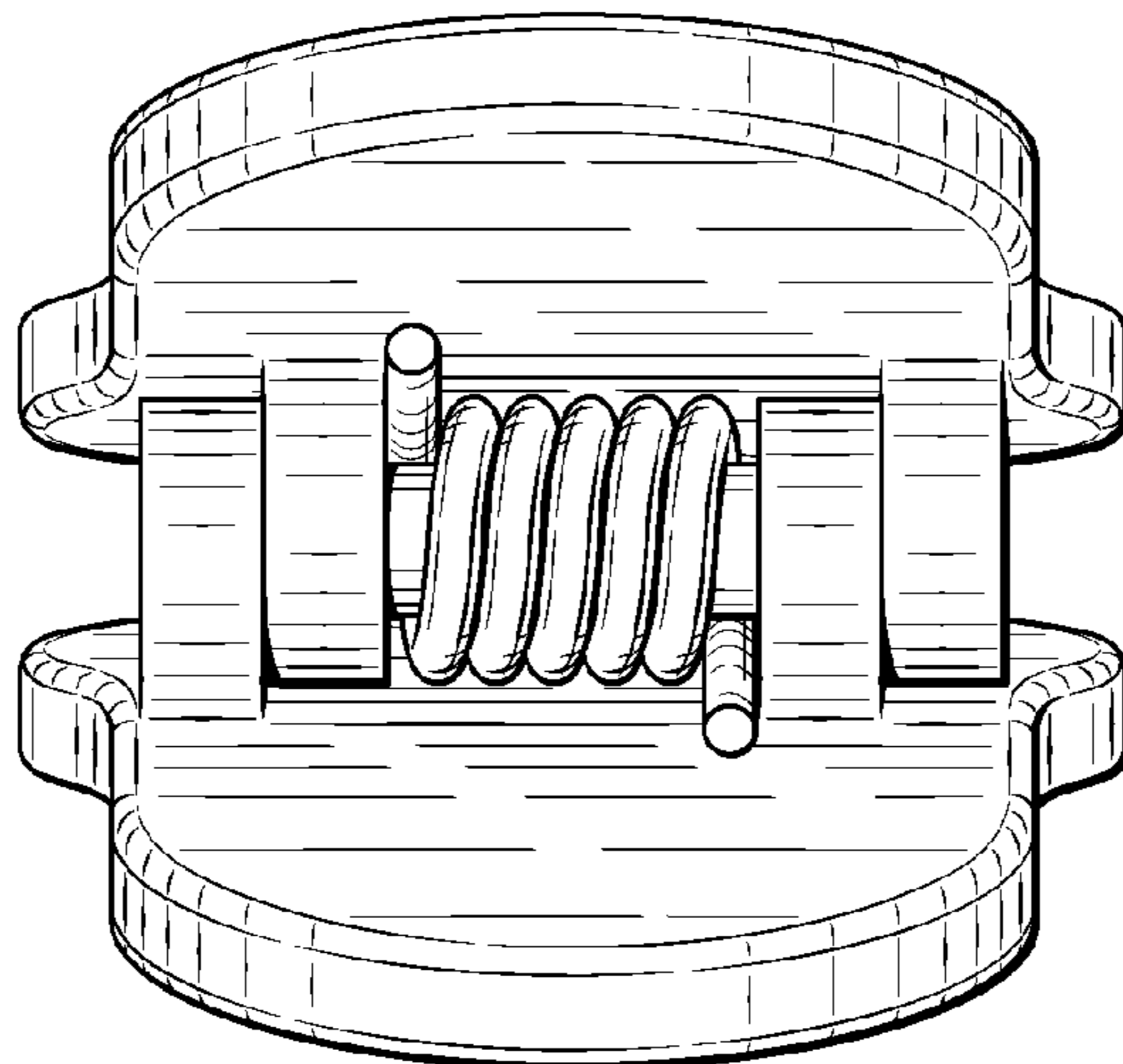


FIG. 5