



US00D599643S

(12) **United States Design Patent**  
**Dinh**

(10) **Patent No.:** **US D599,643 S**

(45) **Date of Patent:** **\*\* Sep. 8, 2009**

(54) **SIDE BRACKET FOR FLOOR  
BRACKET/STUD**

(75) **Inventor:** **Cong Thanh Dinh**, Collierille, TN (US)

(73) **Assignee:** **Thomas & Betts International, Inc.**,  
Wilmington, DE (US)

(\*\*) **Term:** **14 Years**

(21) **Appl. No.:** **29/310,411**

(22) **Filed:** **Aug. 14, 2008**

(51) **LOC (9) Cl.** ..... **08-05**

(52) **U.S. Cl.** ..... **D8/354**

(58) **Field of Classification Search** ..... D8/5,  
D8/71, 349, 354, 353, 373, 380, 394; D25/126,  
D25/133; D12/223; 248/218.4, 219.1-219.3,  
248/247, 251, 300, 309.1, 310, 346.01, 346.5,  
248/521, 648.1, 653.1, 736.1, 736.2; 52/653.1  
See application file for complete search history.

(56) **References Cited**

**U.S. PATENT DOCUMENTS**

1,288,024	A	12/1918	Kendig	
1,790,031	A	1/1931	Vaughn	
2,661,677	A	12/1953	Lingelbach	
3,182,805	A	5/1965	Foster et al.	211/26
D256,663	S *	9/1980	Gilb	D8/354
D260,481	S *	9/1981	Norcross et al.	D8/394
D294,914	S *	3/1988	Chase et al.	D8/373
4,964,525	A	10/1990	Coffey et al.	220/3.9
5,330,137	A	7/1994	Oliva	248/27.1
D364,794	S *	12/1995	Eberschlag	D8/354

D462,939	S	9/2002	Dinh	D13/156
6,573,449	B2	6/2003	Vrame	174/58
D500,666	S *	1/2005	Murphy et al.	D8/354
D500,667	S *	1/2005	Murphy et al.	D8/354
D520,344	S *	5/2006	Vejmarker	D8/354
D536,240	S *	2/2007	Vejmarker	D8/354
D536,952	S *	2/2007	Vejmarker	D8/354
7,271,335	B2	9/2007	Dinh	174/58
D553,476	S *	10/2007	Waner et al.	D8/354
D557,117	S *	12/2007	Cannaverde	D8/354
2005/0067546	A1	3/2005	Dinh	
2007/0187402	A1	8/2007	Dinh	

\* cited by examiner

*Primary Examiner*—Holly H Baynham

*Assistant Examiner*—Cynthia M Chin

(74) *Attorney, Agent, or Firm*—G. Andrew Barger

(57) **CLAIM**

The ornamental design for a side bracket for floor bracket/stud, as shown and described.

**DESCRIPTION**

FIG. 1 is a front elevational view of the side bracket for floor bracket/stud of the present invention;

FIG. 2 is a back elevational view thereof;

FIG. 3 is a front elevation view thereof;

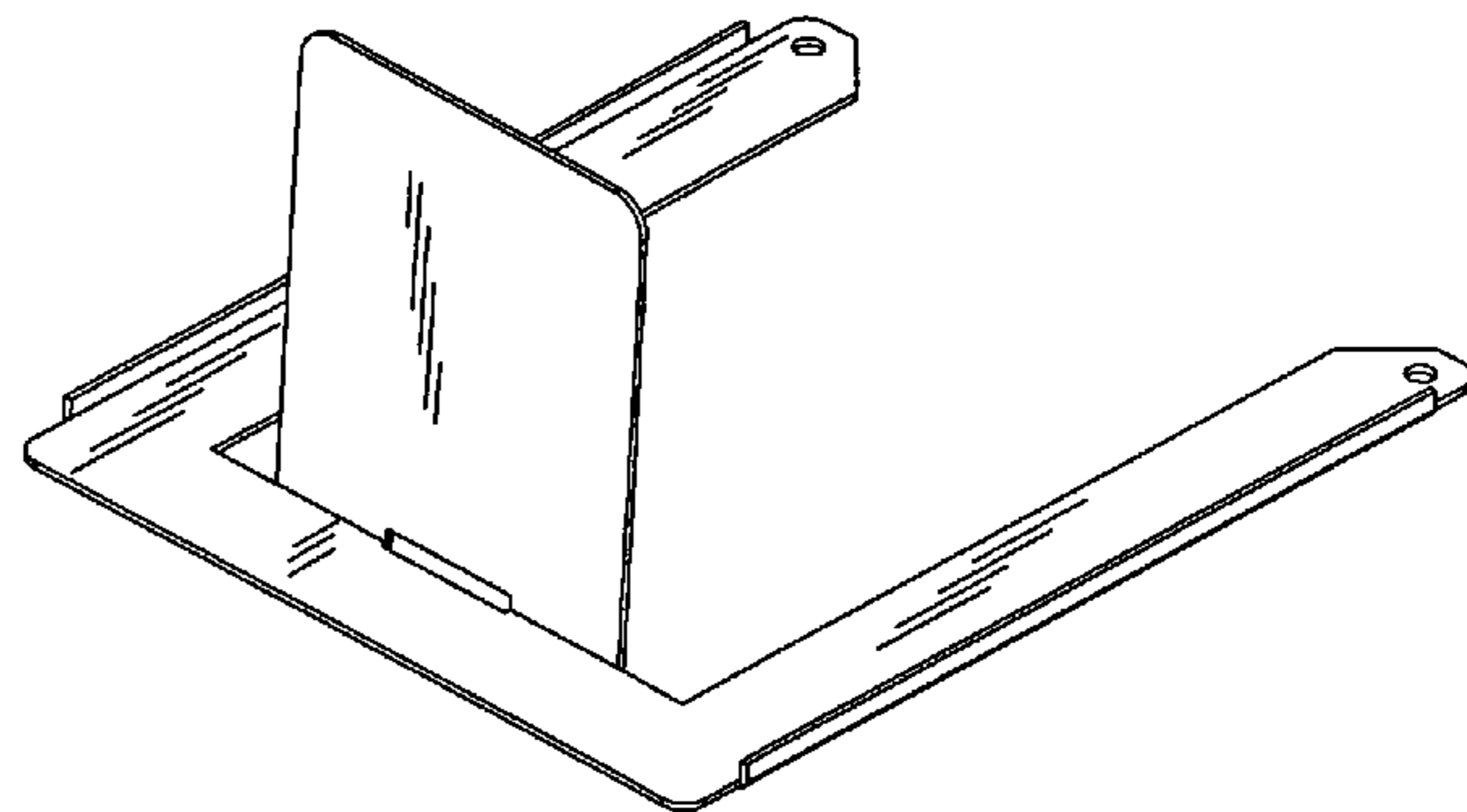
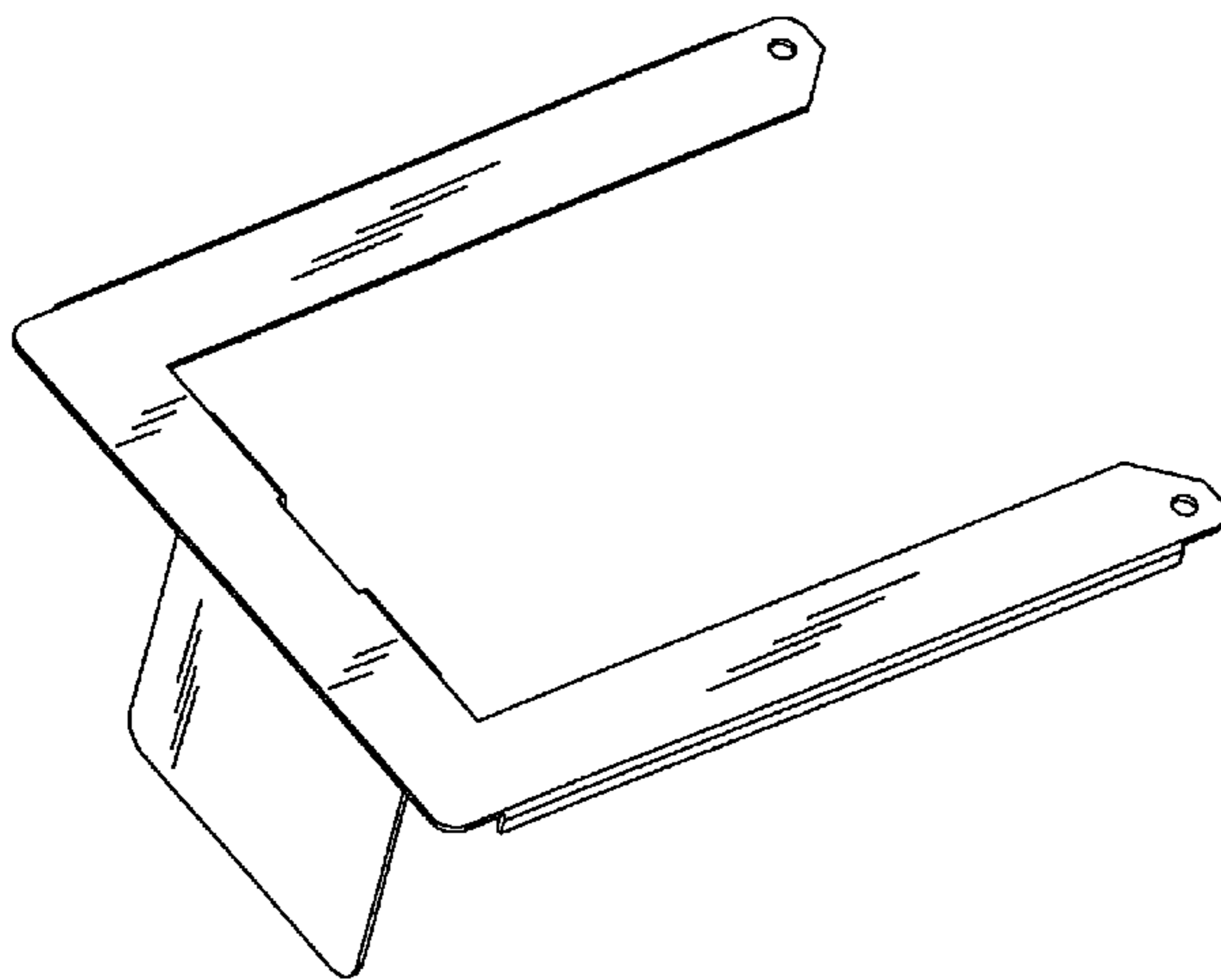
FIG. 4 is a top and bottom plan view thereof;

FIG. 5 is a back elevation view thereof;

FIG. 6 is a left elevation view thereof; and,

FIG. 7 is a right elevation view thereof.

**1 Claim, 3 Drawing Sheets**



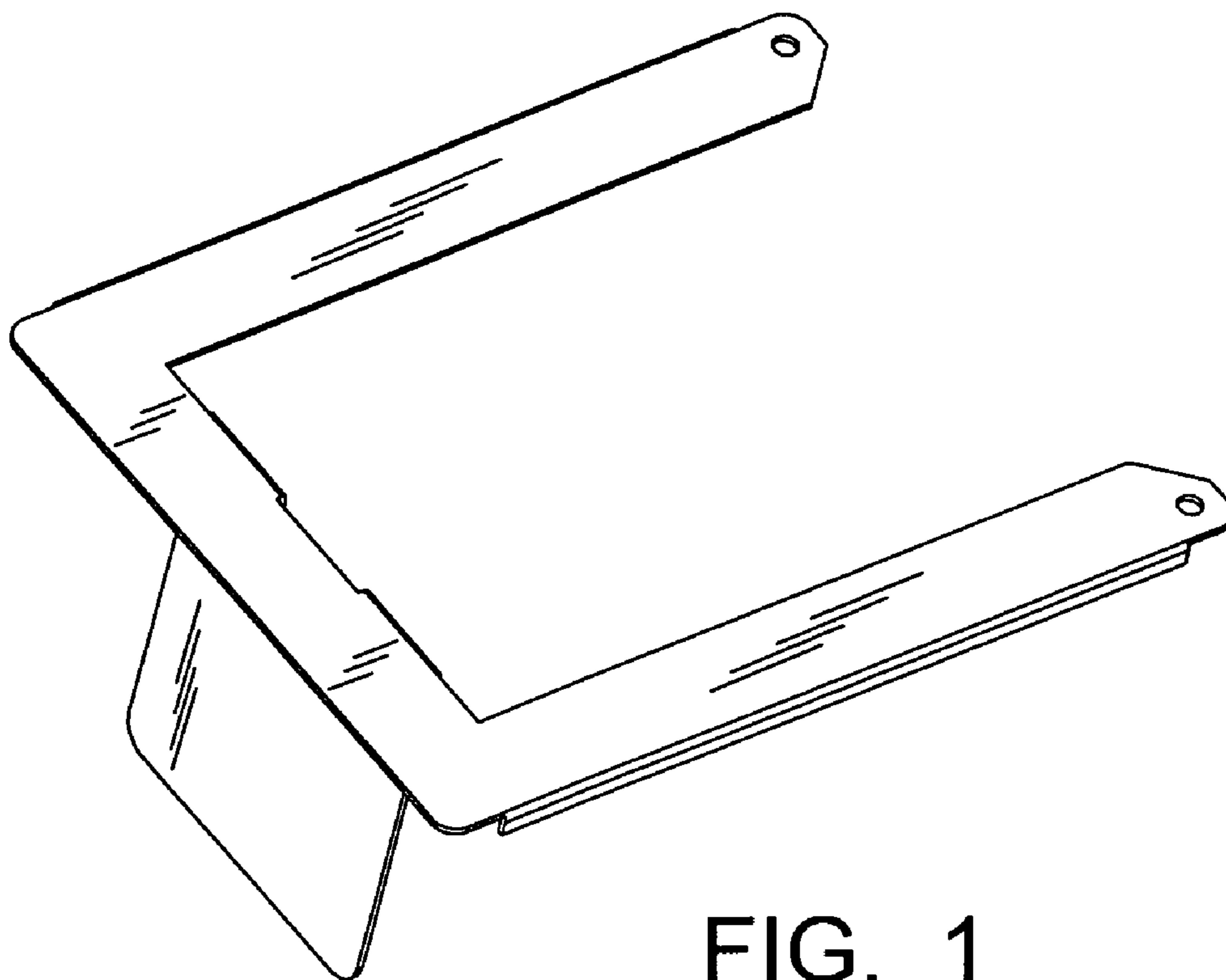


FIG. 1

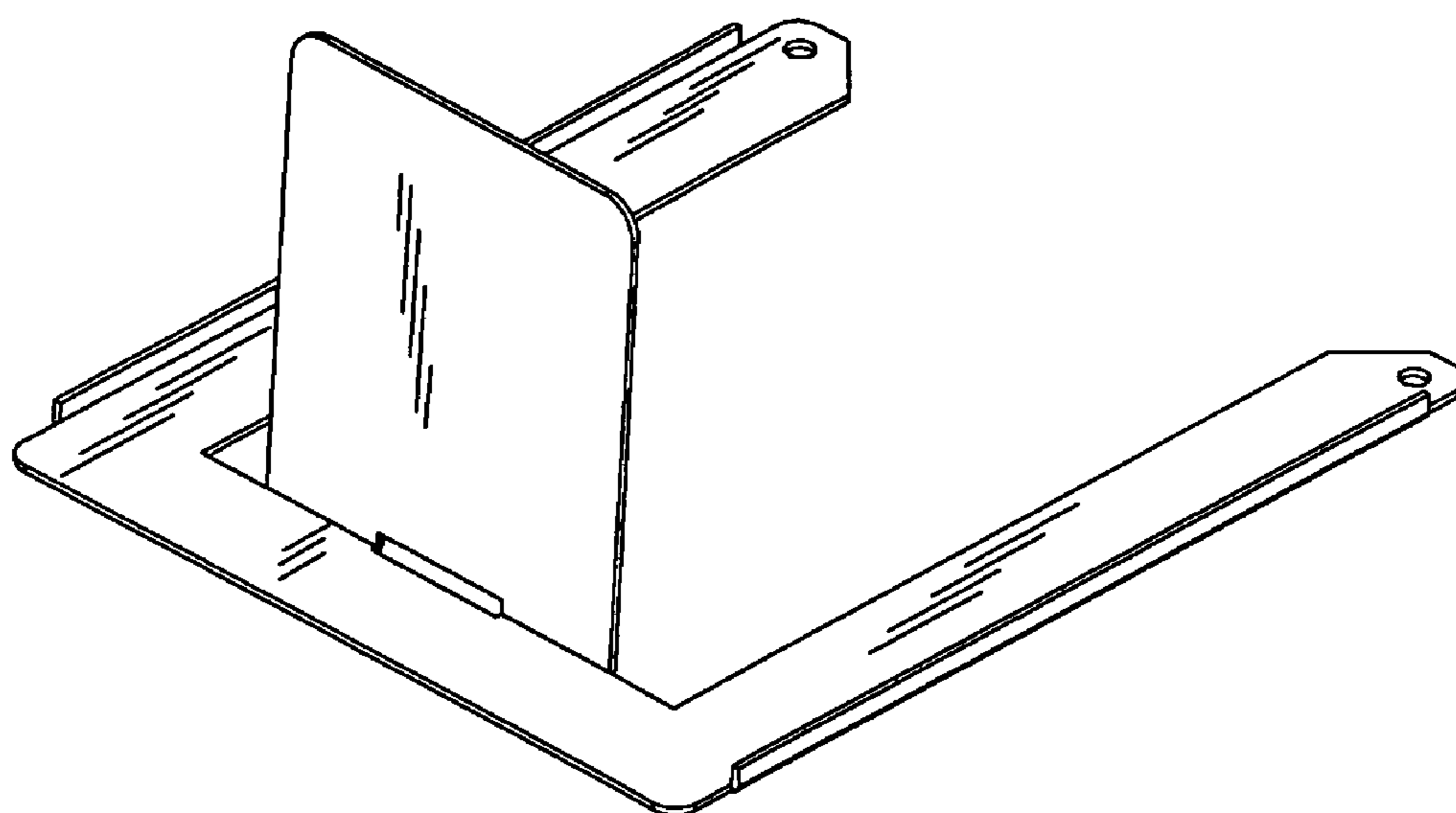


FIG. 2

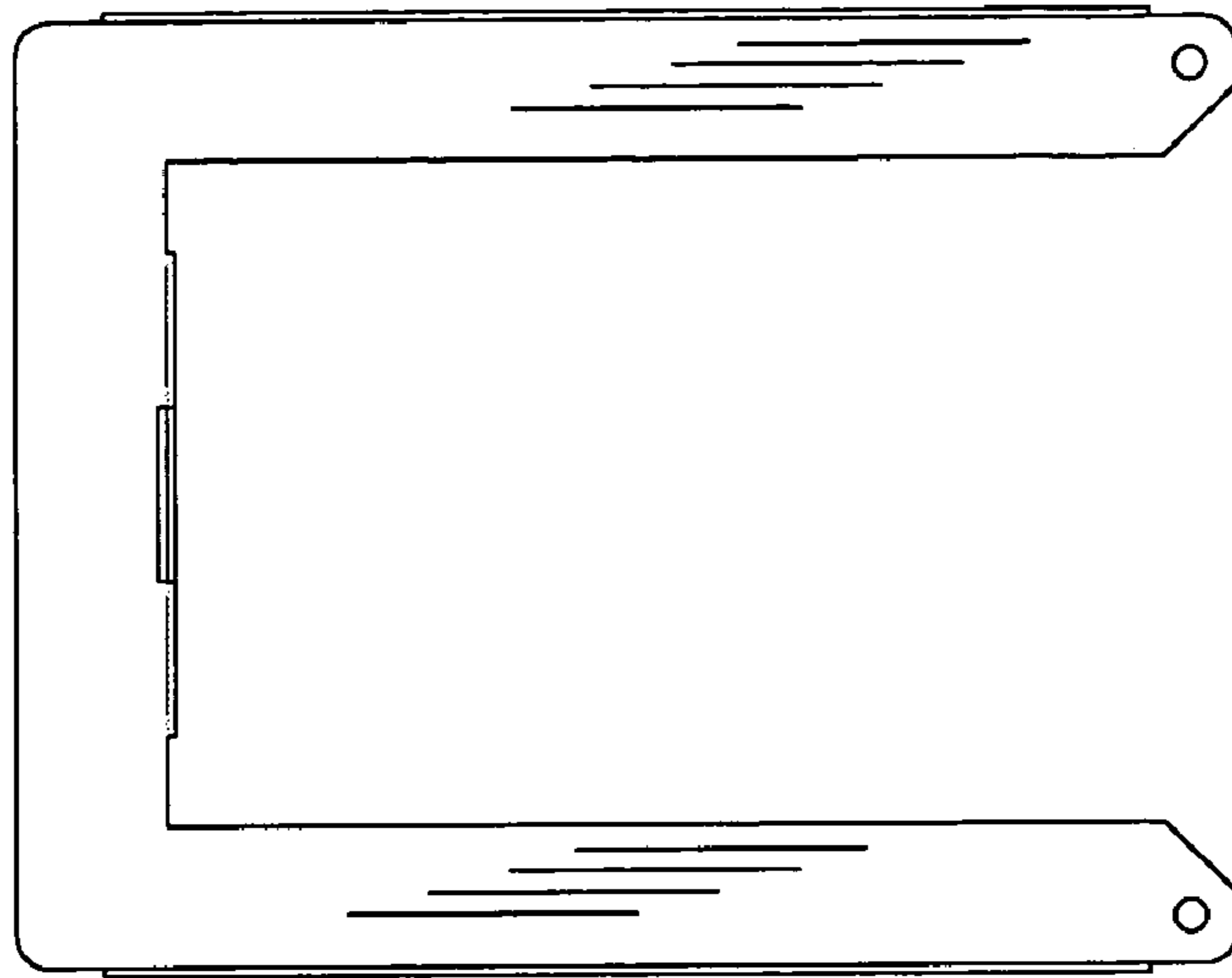


FIG. 3

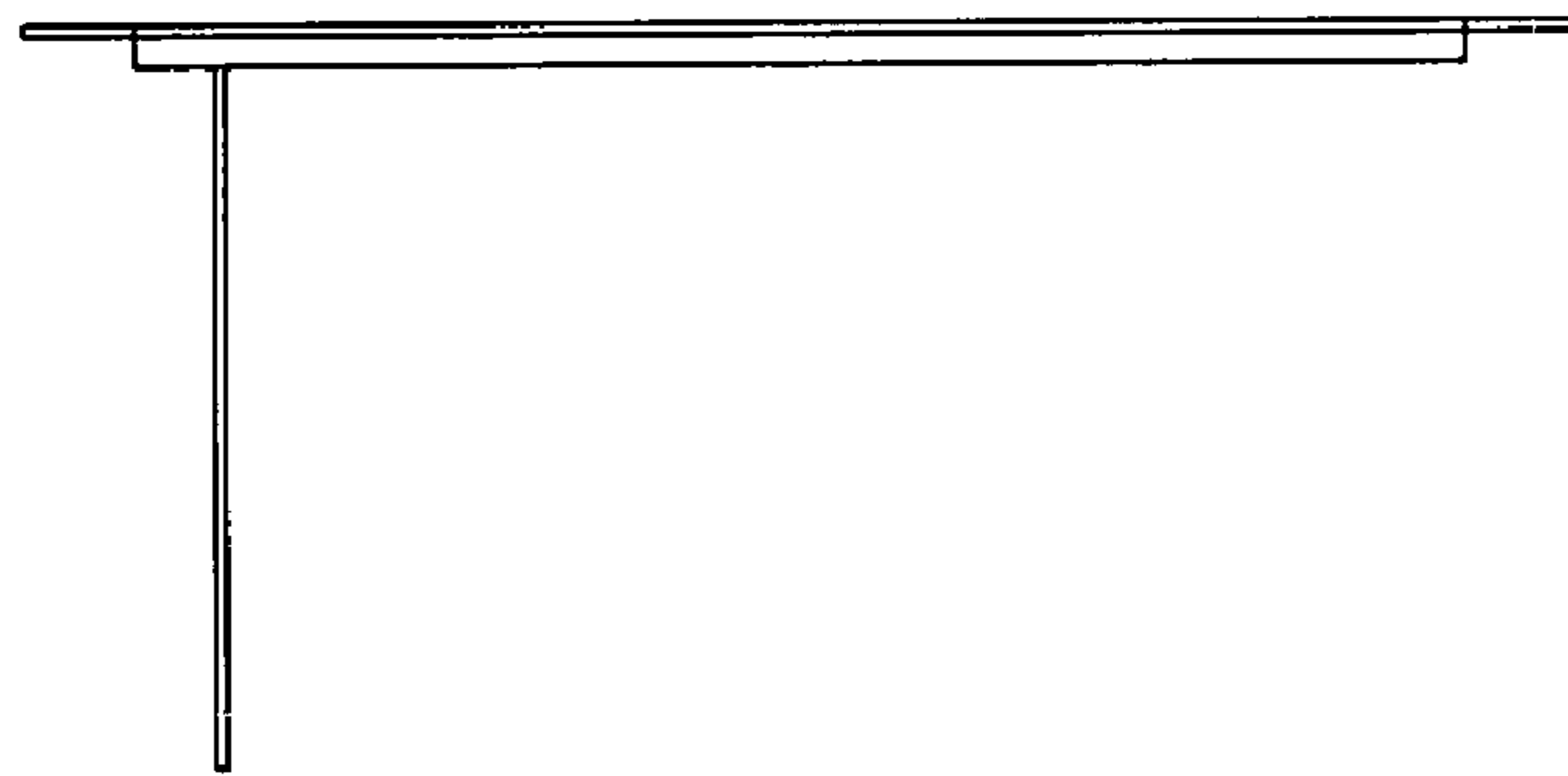


FIG. 4

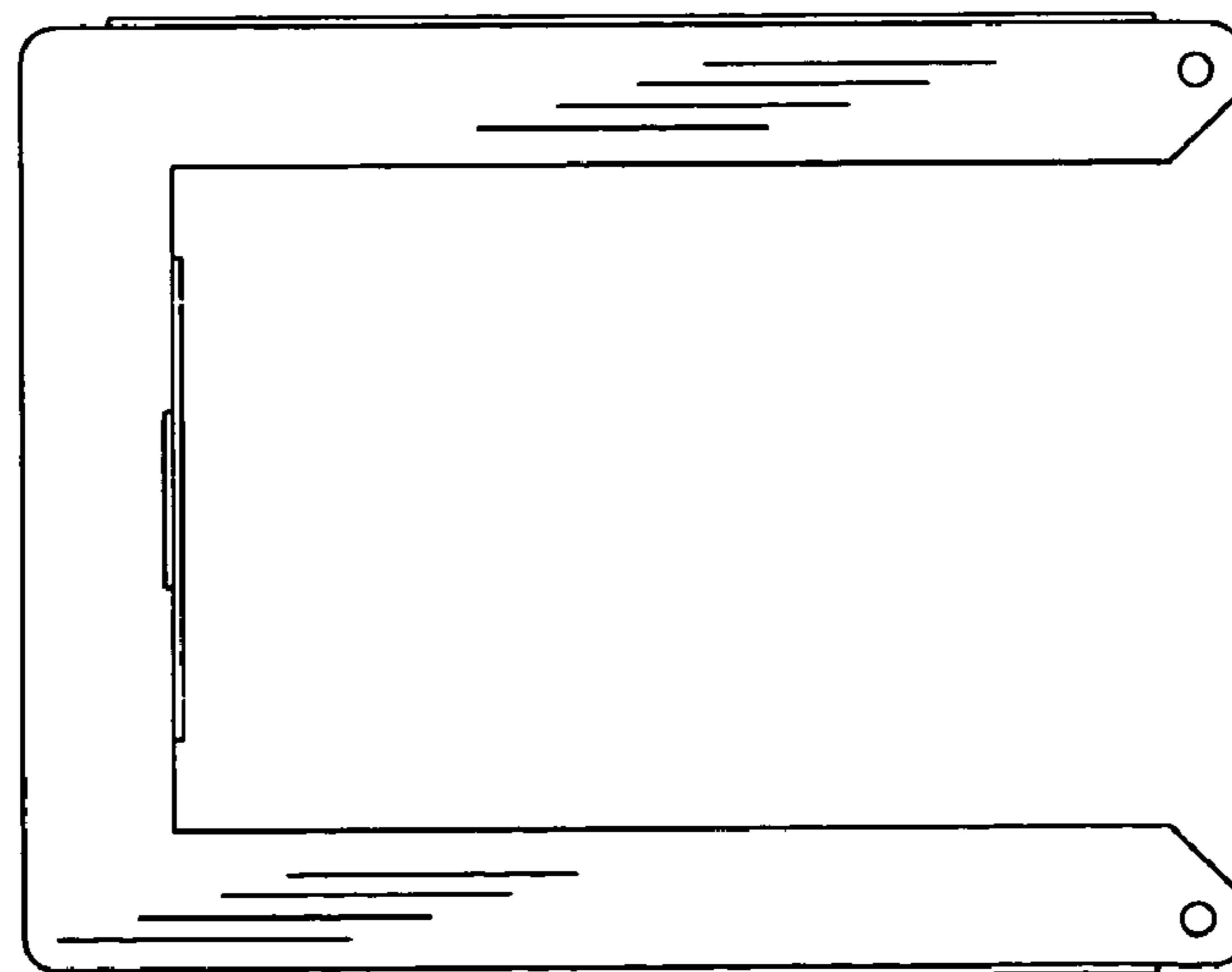


FIG. 5

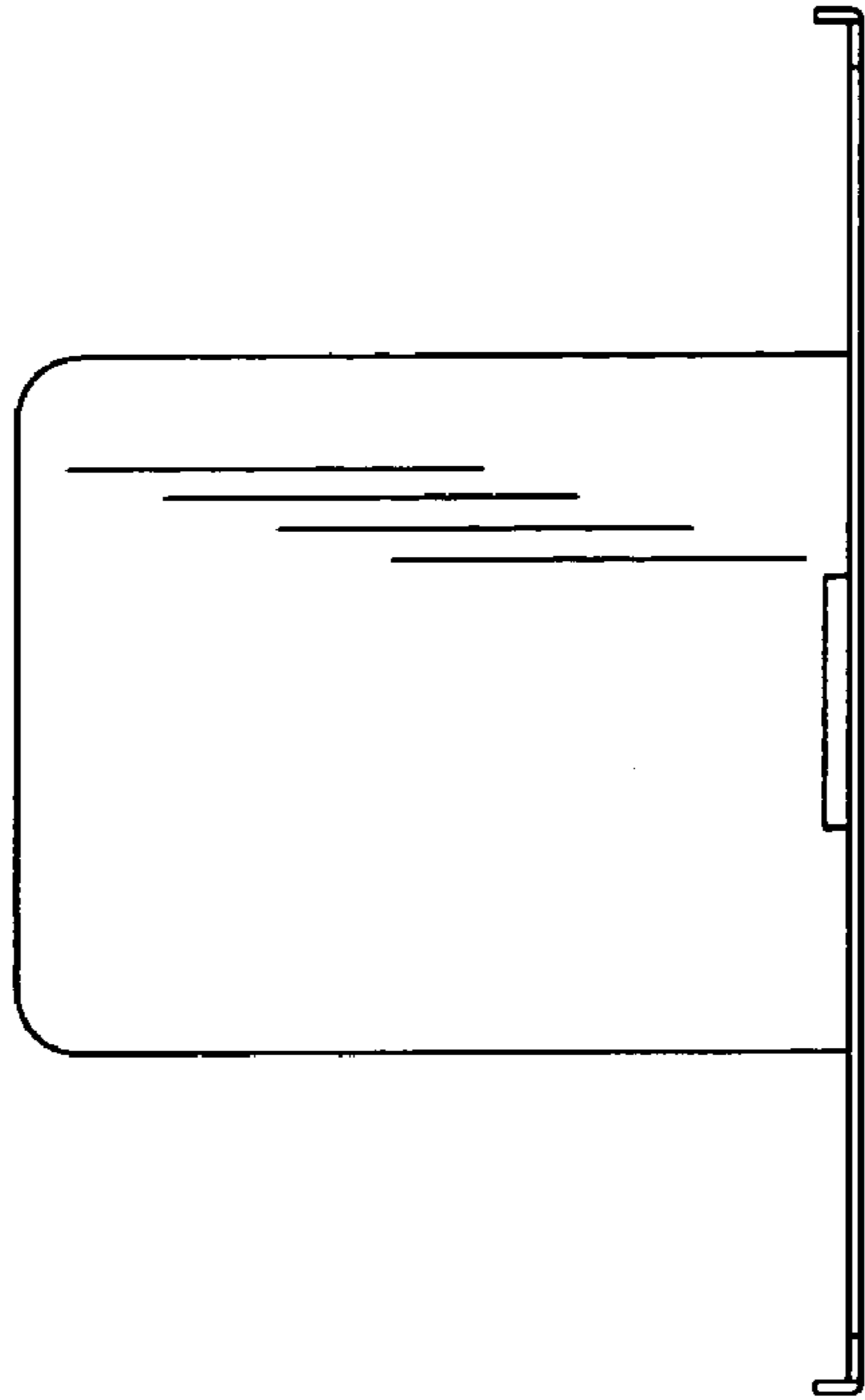


FIG. 6

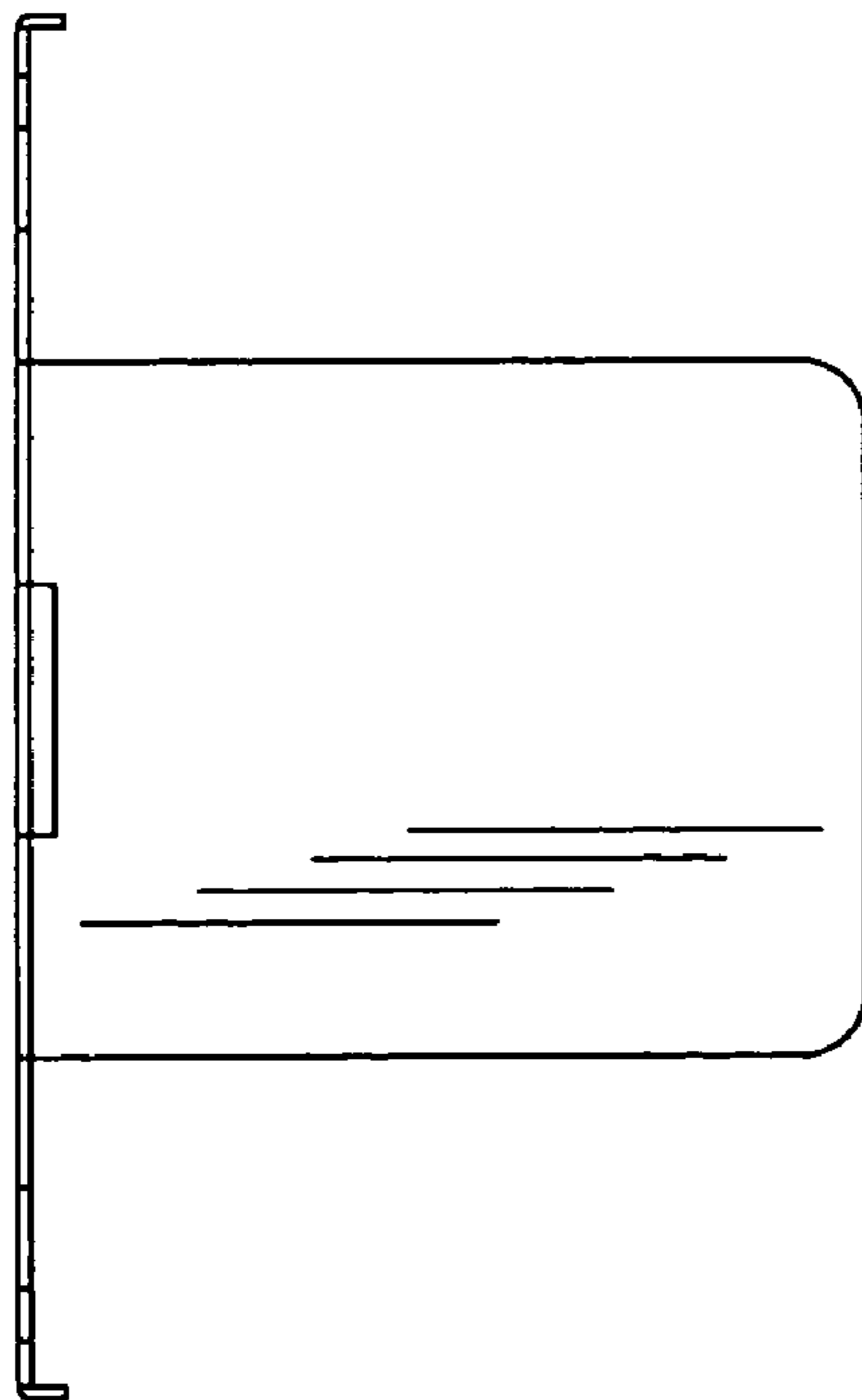


FIG. 7