

US00D599641S

(12) **United States Design Patent**  
**Yang-Fu**

(10) **Patent No.:** **US D599,641 S**

(45) **Date of Patent:** **\*\* Sep. 8, 2009**

(54) **FOLDING KNIFE**

D586,198 S \* 2/2009 MacNair et al. .... D8/99

(75) Inventor: **Cheng Yang-Fu**, Taipei (TW)

\* cited by examiner

(73) Assignee: **Taylor Brands, LLC**, Kingsport, TN (US)

*Primary Examiner*—Philip S Hyder  
(74) *Attorney, Agent, or Firm*—Luedeka, Neely & Graham, PC

(\*\*) Term: **14 Years**

(21) Appl. No.: **29/323,632**

(57) **CLAIM**

(22) Filed: **Aug. 28, 2008**

The ornamental design for a folding knife, as shown and described.

(51) **LOC (9) Cl.** ..... **08-03**

(52) **U.S. Cl.** ..... **D8/99**

(58) **Field of Classification Search** ..... D8/98,  
D8/99, 107; D22/118; 30/155, 156, 157,  
30/158, 159, 160, 161

See application file for complete search history.

**DESCRIPTION**

(56) **References Cited**

**U.S. PATENT DOCUMENTS**

D347,375 S *	5/1994	Sakai	.....	D8/99
D435,421 S *	12/2000	Strider et al.	.....	D8/99
D523,317 S *	6/2006	Ryan et al.	.....	D8/99
D560,995 S *	2/2008	Onion	.....	D8/99
D560,997 S *	2/2008	Onion	.....	D8/99
D565,918 S *	4/2008	Onion	.....	D8/99
D572,562 S *	7/2008	Hawk et al.	.....	D8/99
D576,466 S *	9/2008	Onion	.....	D8/99
D577,979 S *	10/2008	MacNair et al.	.....	D8/99
D578,856 S *	10/2008	Martin	.....	D8/99

FIG. 1 is perspective view of the folding knife of my new design;

FIG. 2 is a left side view of the folding knife of my new design;

FIG. 3 is a right side view of the folding knife of my new design,

FIG. 4 is a top view of the folding knife of my new design;

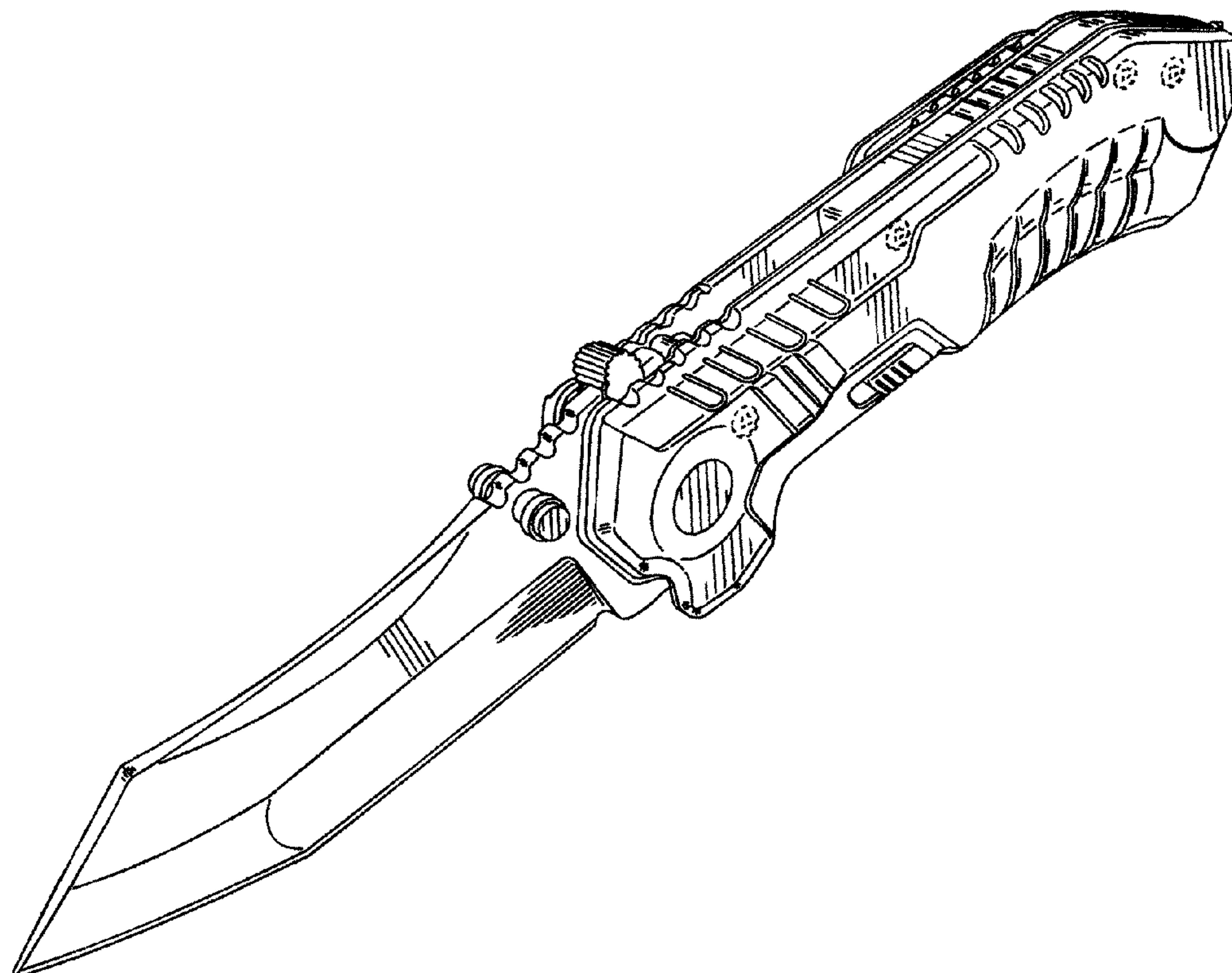
FIG. 5 is a bottom view of the folding knife of my new design;

FIG. 6 is a right end view of the folding knife of my new design; and,

FIG. 7 is a left end view of the folding knife of my new design.

The broken line showings of the fasteners form no part of the claimed design.

**1 Claim, 6 Drawing Sheets**



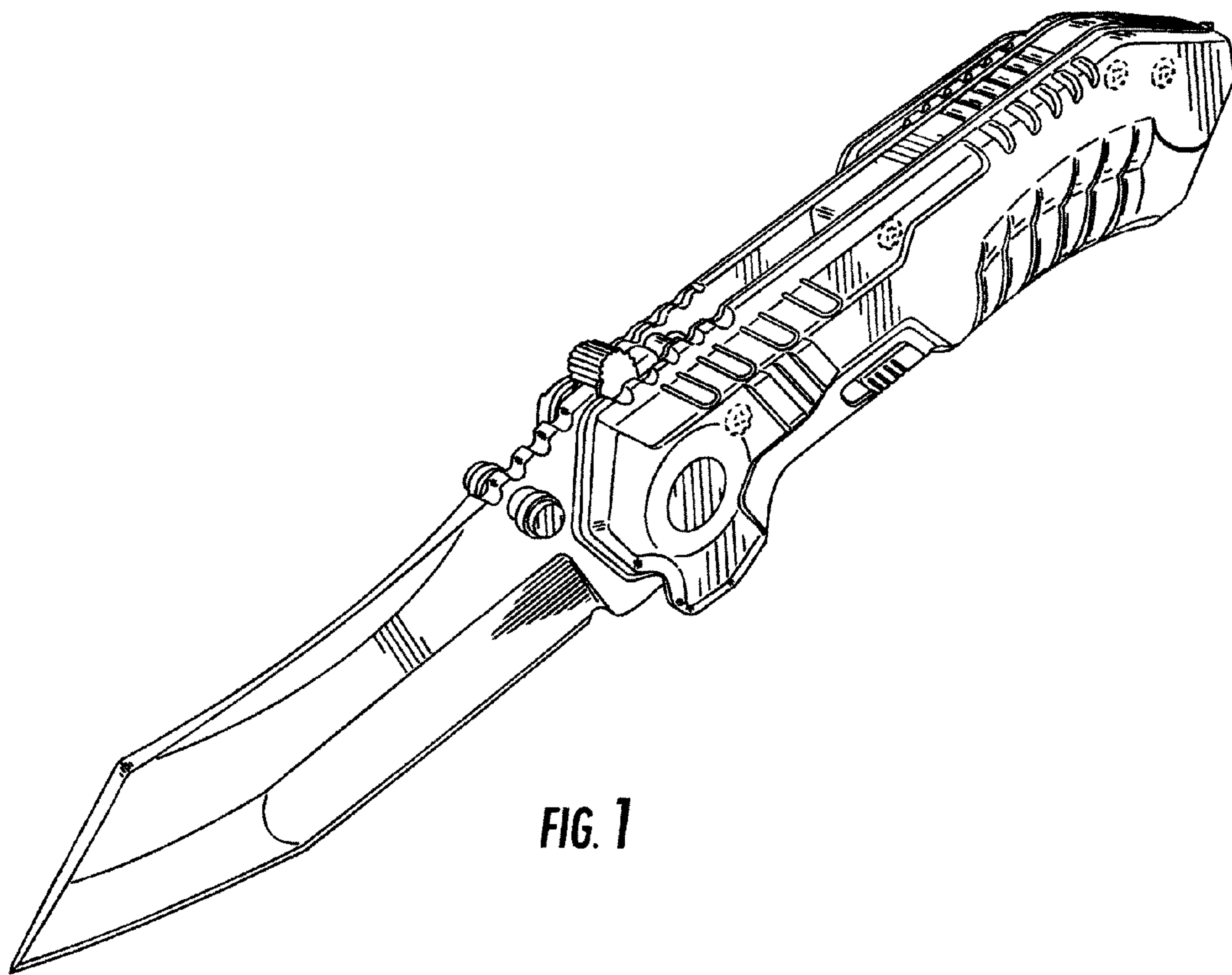


FIG. 1

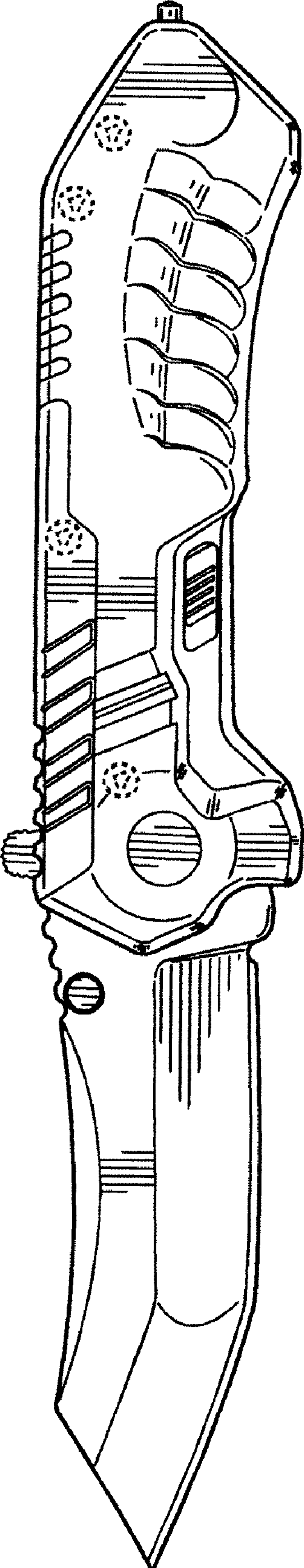


FIG. 2

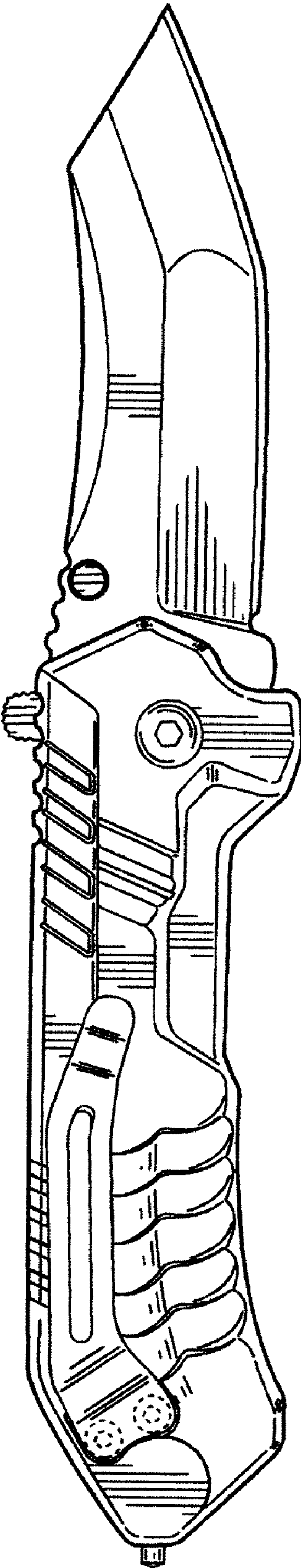
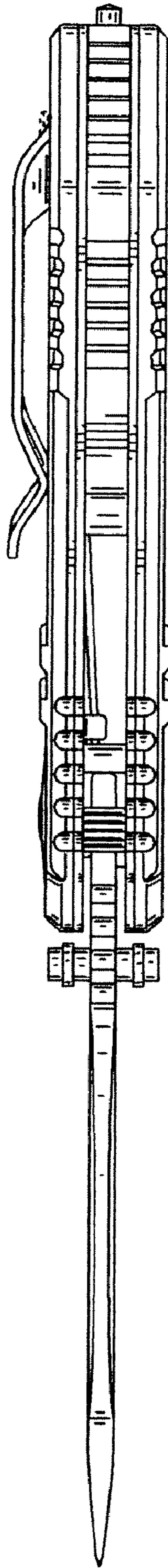
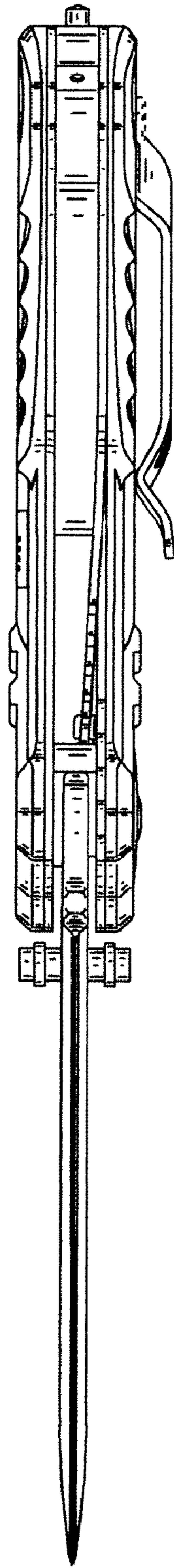


FIG. 3

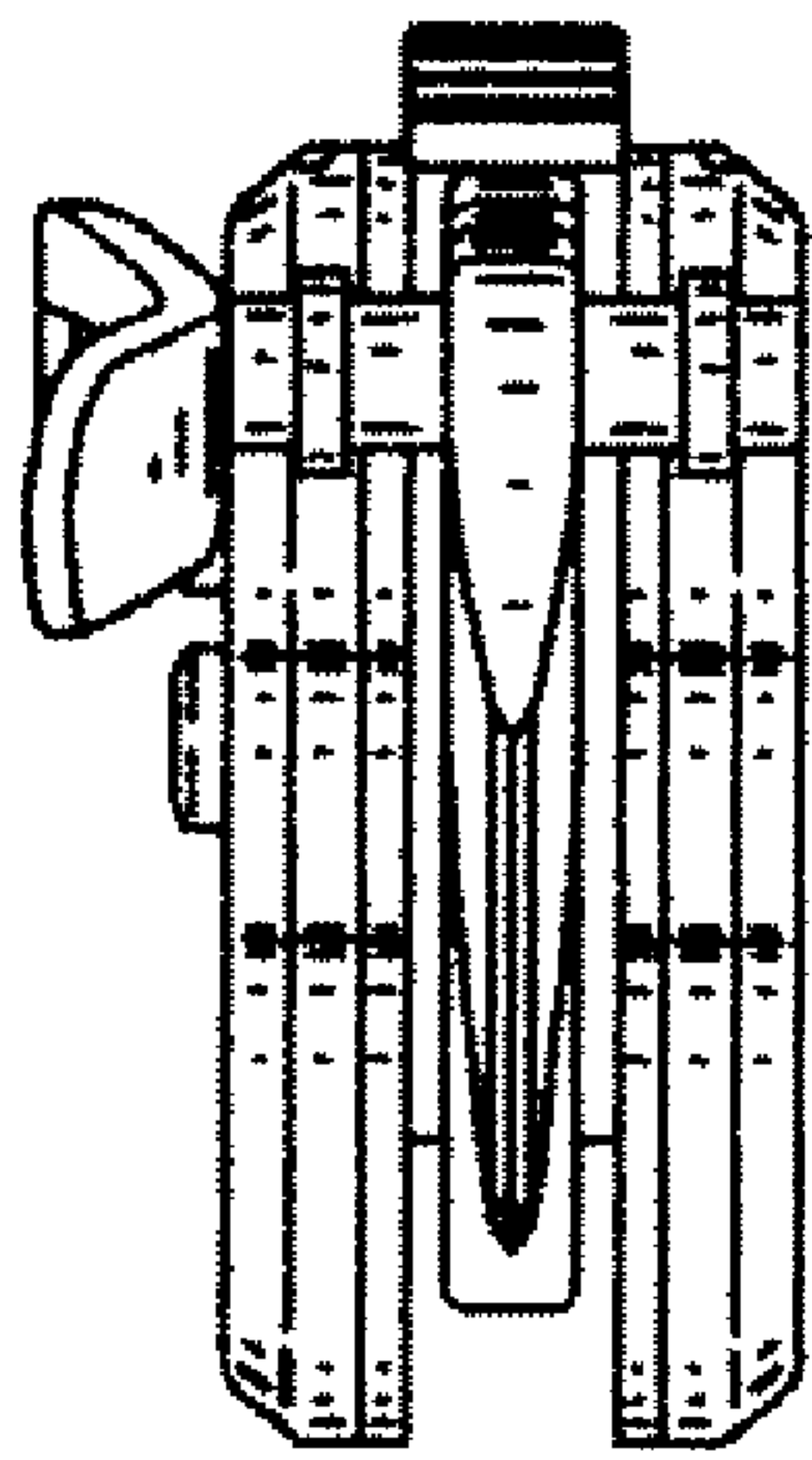




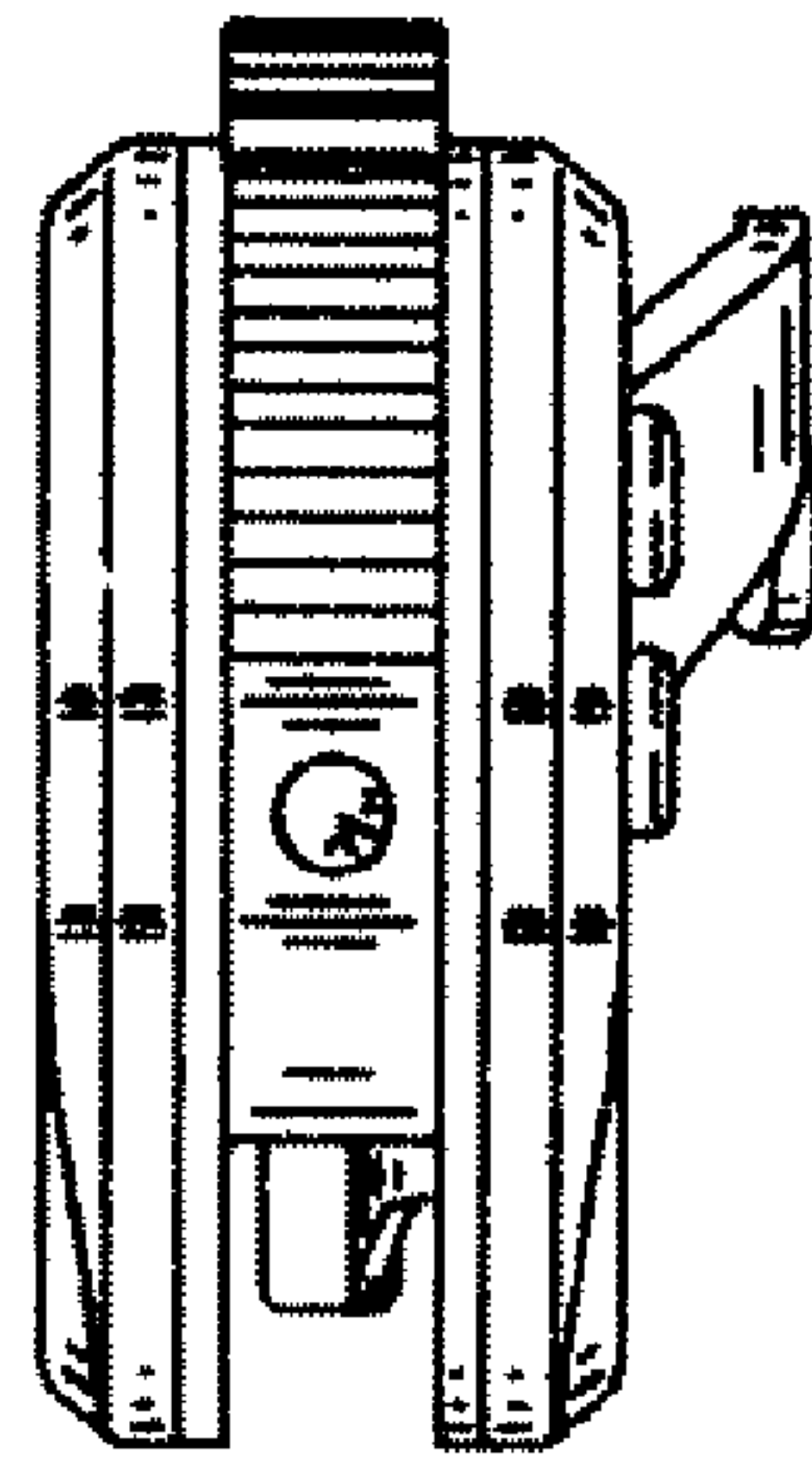
**FIG. 4**



**FIG. 5**



**FIG. 6**



**FIG. 7**