



US00D599639S

(12) **United States Design Patent**
Bradford et al.

(10) **Patent No.:** **US D599,639 S**
(45) **Date of Patent:** **** Sep. 8, 2009**

(54) **DRILL**
(75) Inventors: **Scott Bradford**, Crook (GB); **Stephen Houghton**, Newcastle upon Tyne (GB)
(73) Assignee: **Black & Decker Inc.**, Newark, DE (US)
(**) Term: **14 Years**
(21) Appl. No.: **29/325,175**
(22) Filed: **Sep. 26, 2008**

DE	40304892	4/2004
DE	40603511	1/2007
EM	000065198-0001	2/2004
EM	000065198-0002	2/2004
EM	000136874	5/2004
EM	000188503	8/2004
EM	000192109-0001	8/2004
EM	000192109-0002	8/2004
EM	000192109-0003	8/2004
EM	000256938	2/2005
EM	000448717	2/2006
EM	000452479	2/2006
EM	000849674	1/2008
EM	00874680	2/2008

(30) **Foreign Application Priority Data**
Mar. 27, 2008 (EM) 000904065

(51) **LOC (9) Cl.** **08-01**
(52) **U.S. Cl.** **D8/68**
(58) **Field of Classification Search** D8/68;
81/57.11, 429, 454-456, 469, 489; 173/13,
173/104, 114, 168-171, 178, 201, 211, 213,
173/217; 408/20, 124, 125, 234, 241 R,
408/358; 310/50; 227/8, 113, 114, 120,
227/130, 136, 142
See application file for complete search history.

(56) **References Cited**
U.S. PATENT DOCUMENTS
D467,483 S * 12/2002 Heun D8/68
D501,384 S * 2/2005 Wright et al. D8/68
D533,040 S * 12/2006 Schoen D8/68
D539,110 S * 3/2007 Okuda D8/68
D543,081 S * 5/2007 Watson D8/68

FOREIGN PATENT DOCUMENTS
DE 9602972 12/1996
DE 9604586 2/1997
DE 9605995 2/1997
DE 49902246 10/1999
DE 49911374 5/2000
DE 40006861 11/2000
DE 40101678 8/2001
DE 40209961 4/2003
DE 40304287 1/2004

OTHER PUBLICATIONS
UK Search Report - Ref.: SRC/AP/030/08, Mar. 20, 2008.
UK Search Report - Ref.: SRC/AP/031/08, Mar. 20, 2008.
UK Search Report - Ref.: SRC/MRB106112008, Oct. 7, 2008.
* cited by examiner
Primary Examiner—Antoine D Davis
(74) *Attorney, Agent, or Firm*—Bruce S. Shapiro; John Yun;
Wesley W. Muller

(57) **CLAIM**
The ornamental design for a drill, as shown and described.

DESCRIPTION
FIG. 1 is a left/front perspective view of a drill.
FIG. 2 is a right side view thereof.
FIG. 3 is a left side view thereof.
FIG. 4 is a top side view thereof.
FIG. 5 is a bottom side view thereof.
FIG. 6 is a front view thereof.
FIG. 7 is a rear view thereof.
FIG. 8 is a left/front perspective view of a drill.
FIG. 9 is a right side view thereof.
FIG. 10 is a left side view thereof.
FIG. 11 is a top side view thereof.
FIG. 12 is a bottom side view thereof.

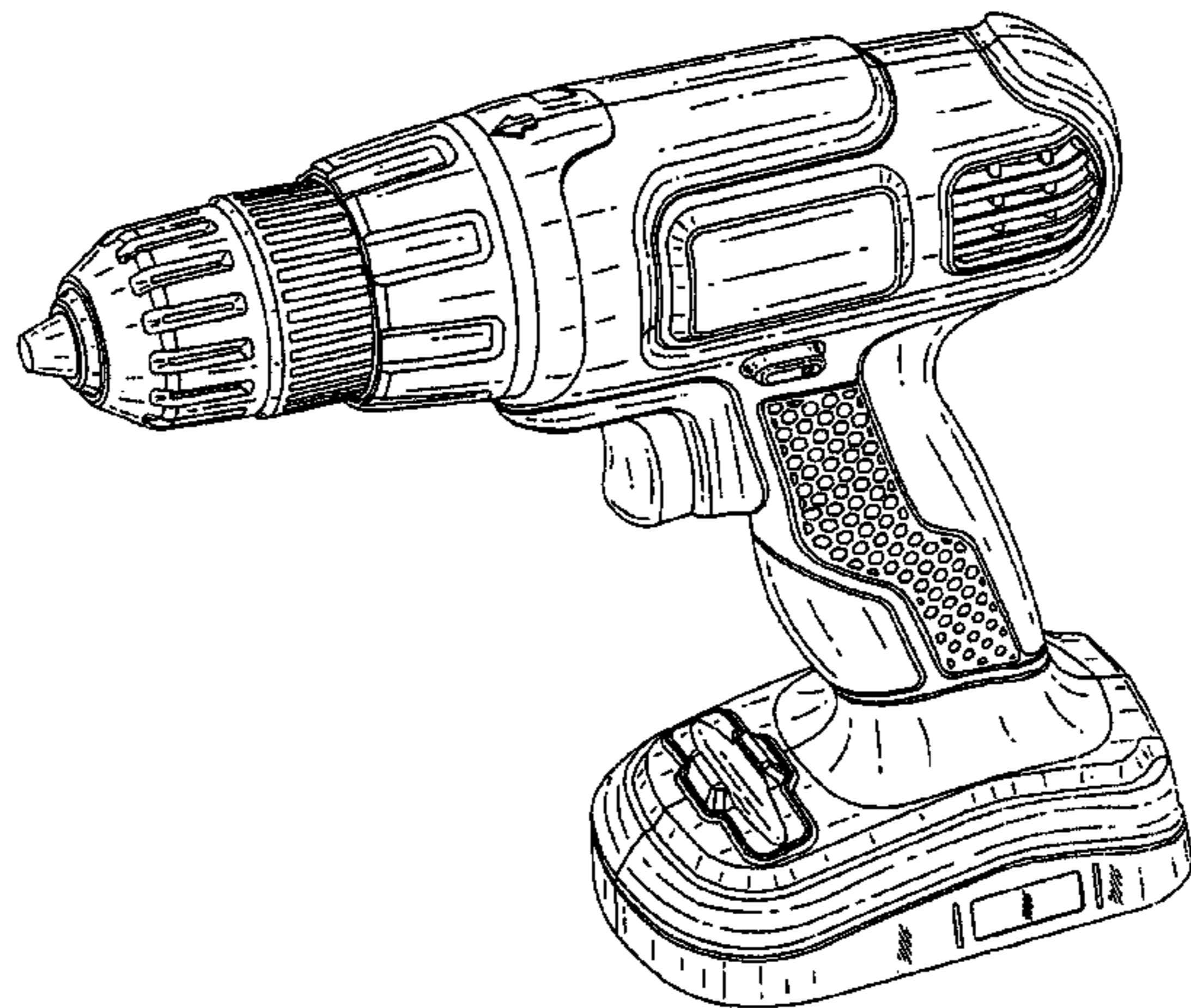


FIG. 13 is a front view thereof.
FIG. 14 is a rear view thereof.
FIG. 15 is a left/front perspective view of a drill.
FIG. 16 is a right side view thereof.
FIG. 17 is a left side view thereof.
FIG. 18 is a top side view thereof.
FIG. 19 is a bottom side view thereof.
FIG. 20 is a front view thereof.
FIG. 21 is a rear view thereof.
FIG. 22 is a left/front perspective view of a drill.
FIG. 23 is a right side view thereof.
FIG. 24 is a left side view thereof.
FIG. 25 is a top side view thereof.
FIG. 26 is a bottom side view thereof.
FIG. 27 is a front view thereof.
FIG. 28 is a rear view thereof.
FIG. 29 is a left/front perspective view of a drill.

FIG. 30 is a right side view thereof.
FIG. 31 is a left side view thereof.
FIG. 32 is a top side view thereof.
FIG. 33 is a bottom side view thereof.
FIG. 34 is a front view thereof.
FIG. 35 is a rear view thereof.
FIG. 36 is a left/front perspective view of a drill.
FIG. 37 is a right side view thereof.
FIG. 38 is a left side view thereof.
FIG. 39 is a top side view thereof.
FIG. 40 is a bottom side view thereof.
FIG. 41 is a front view thereof; and,
FIG. 42 is a rear view thereof.

The broken line showing of the trademark is included for the purpose of illustrating non-claimed subject matter and forms no part of the claimed design.

1 Claim, 30 Drawing Sheets

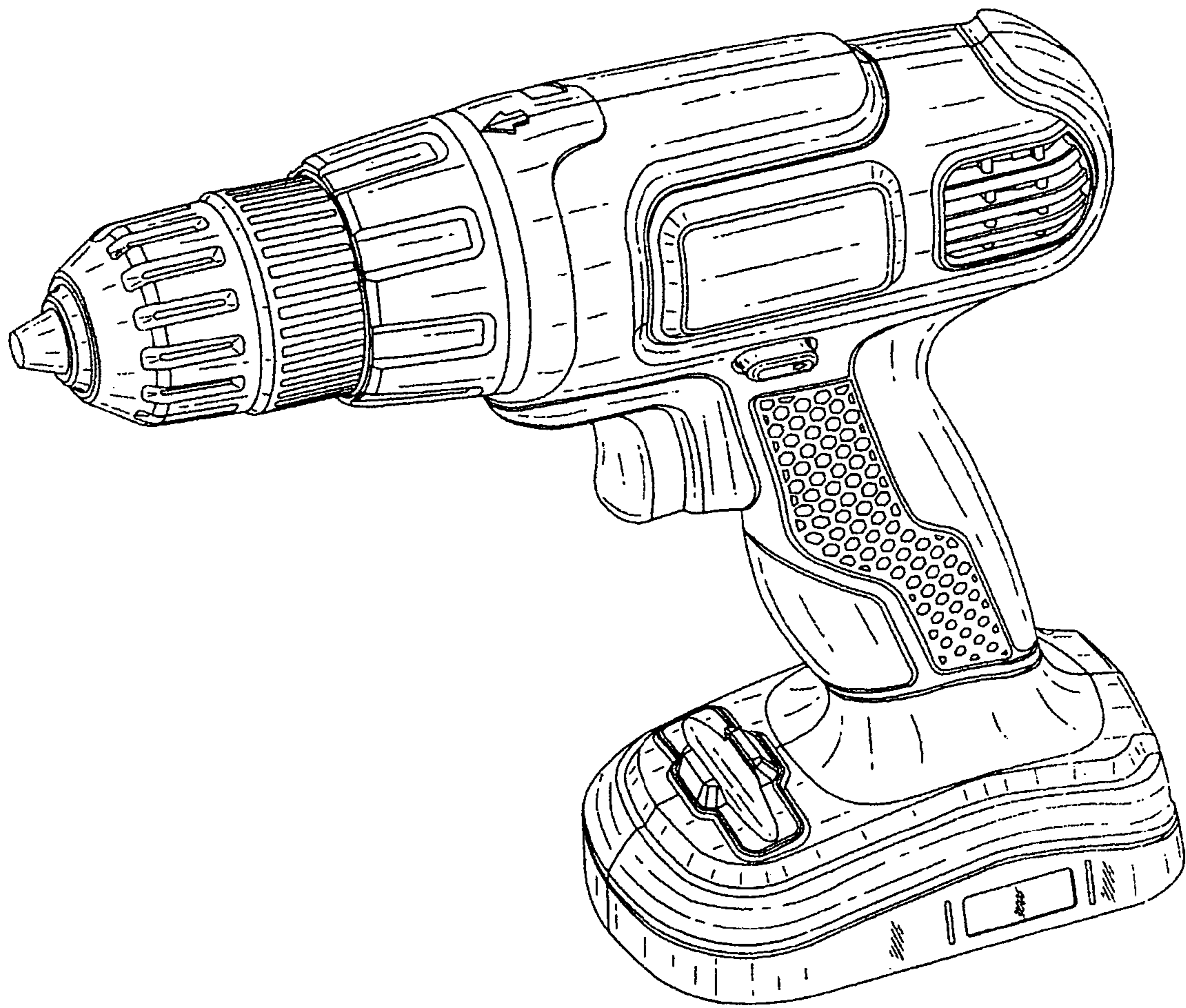


FIG.1

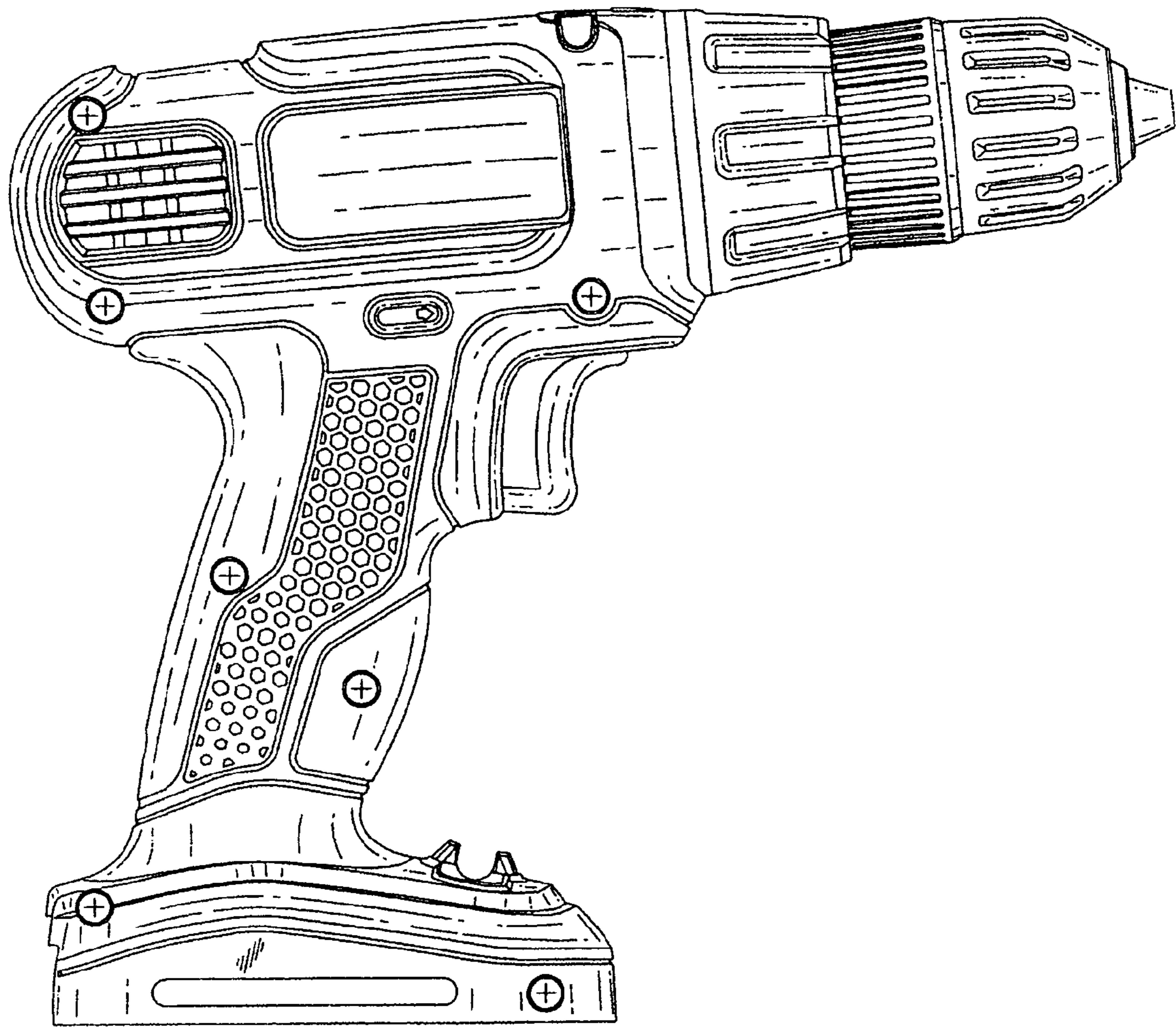


FIG.2

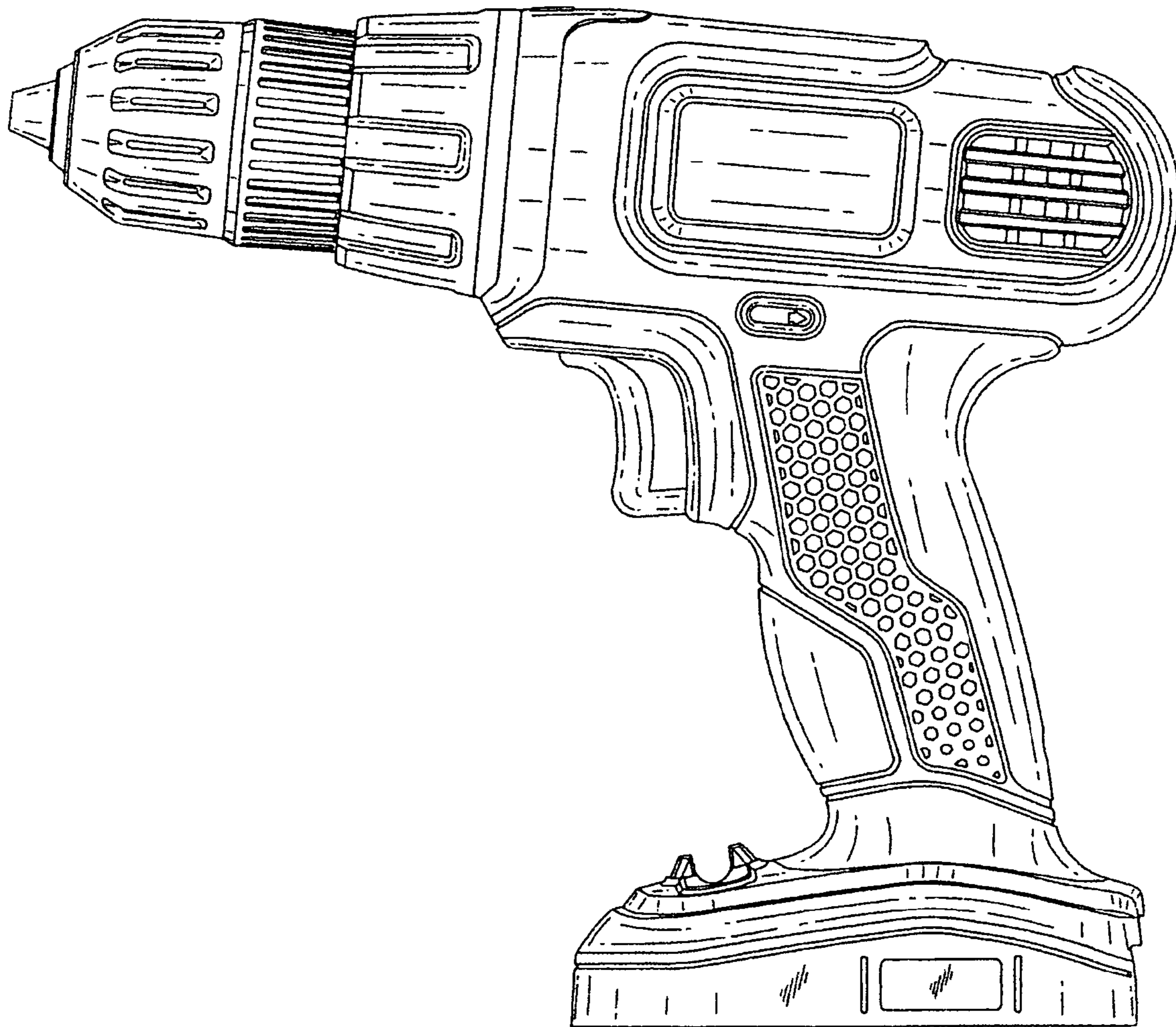


FIG.3

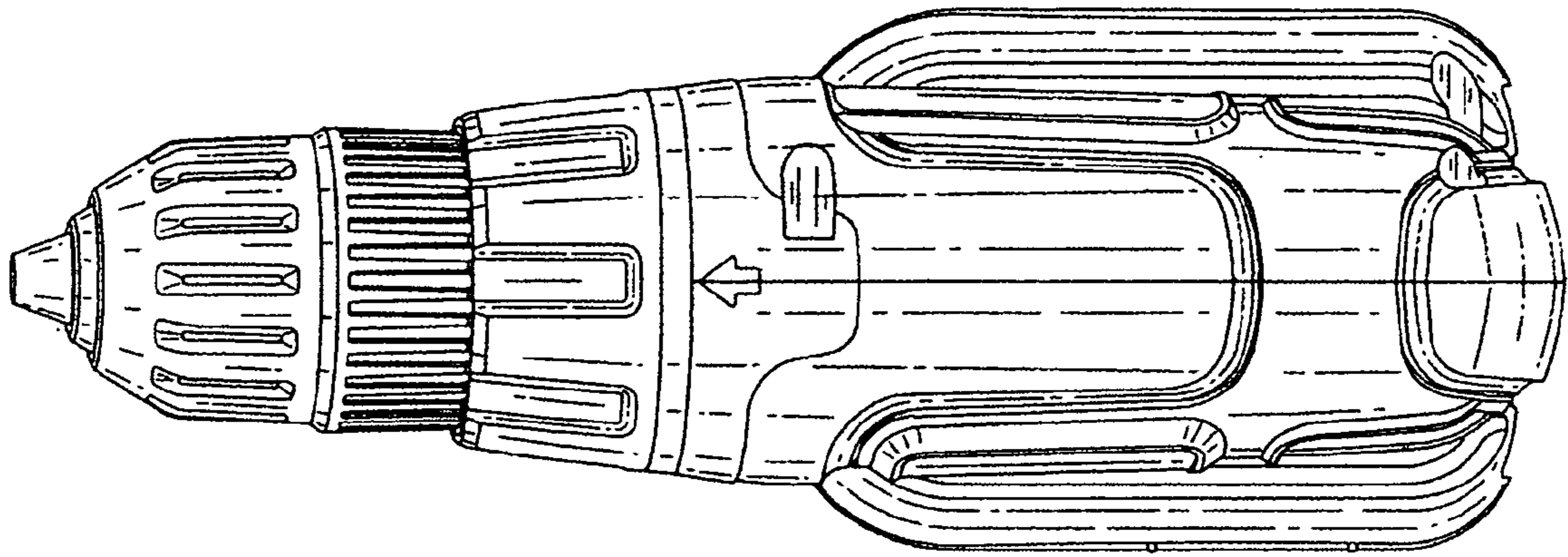


FIG. 4

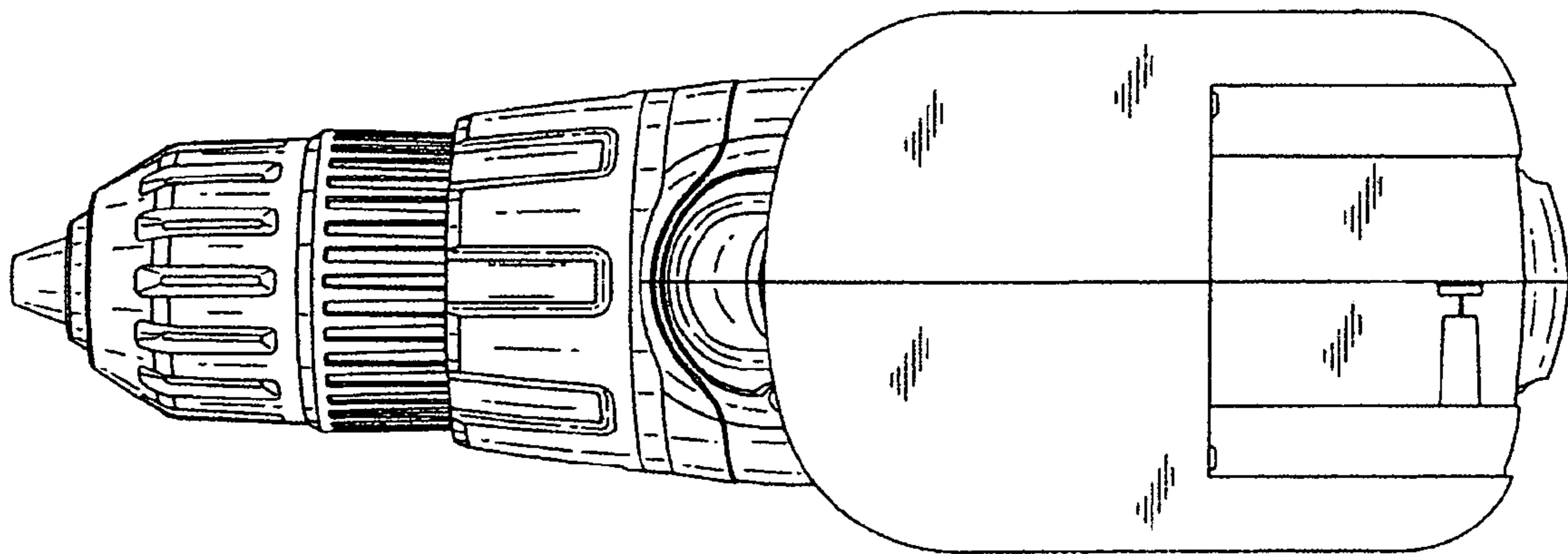


FIG. 5

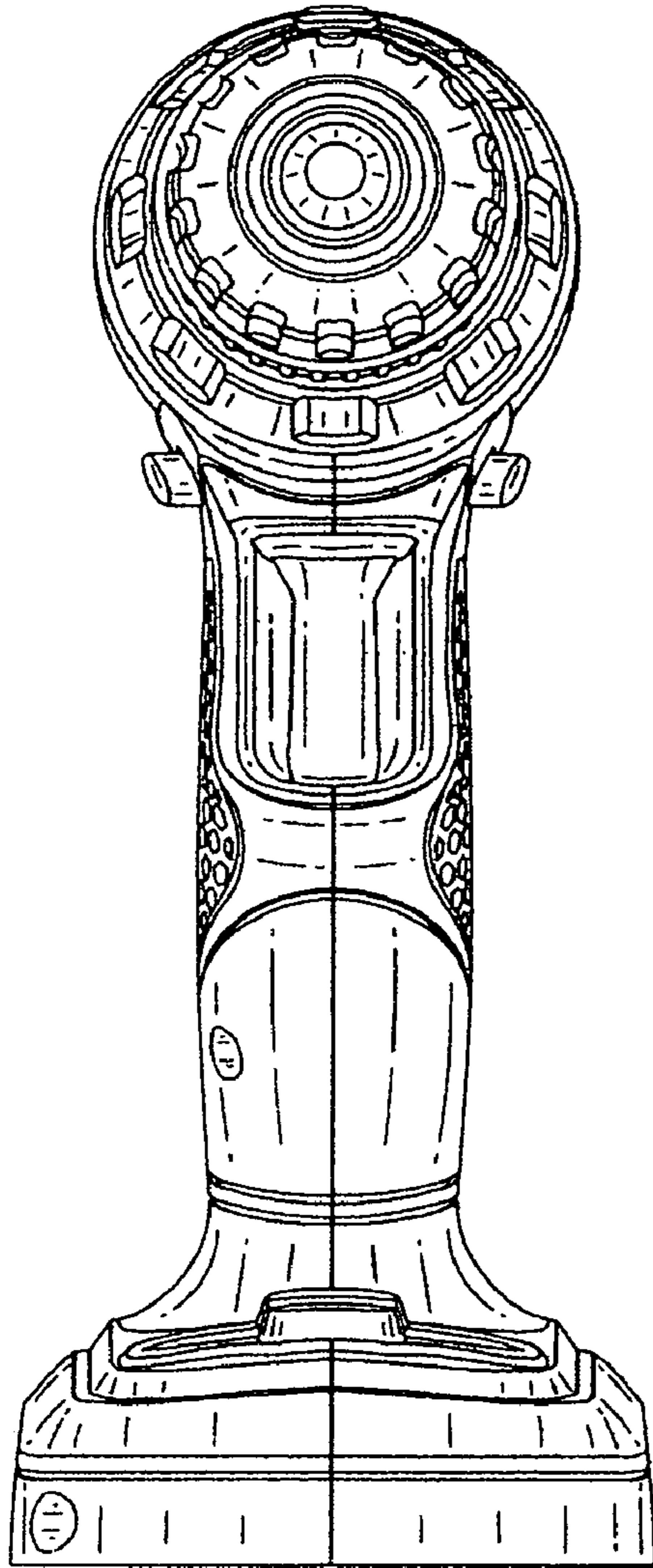


FIG. 6

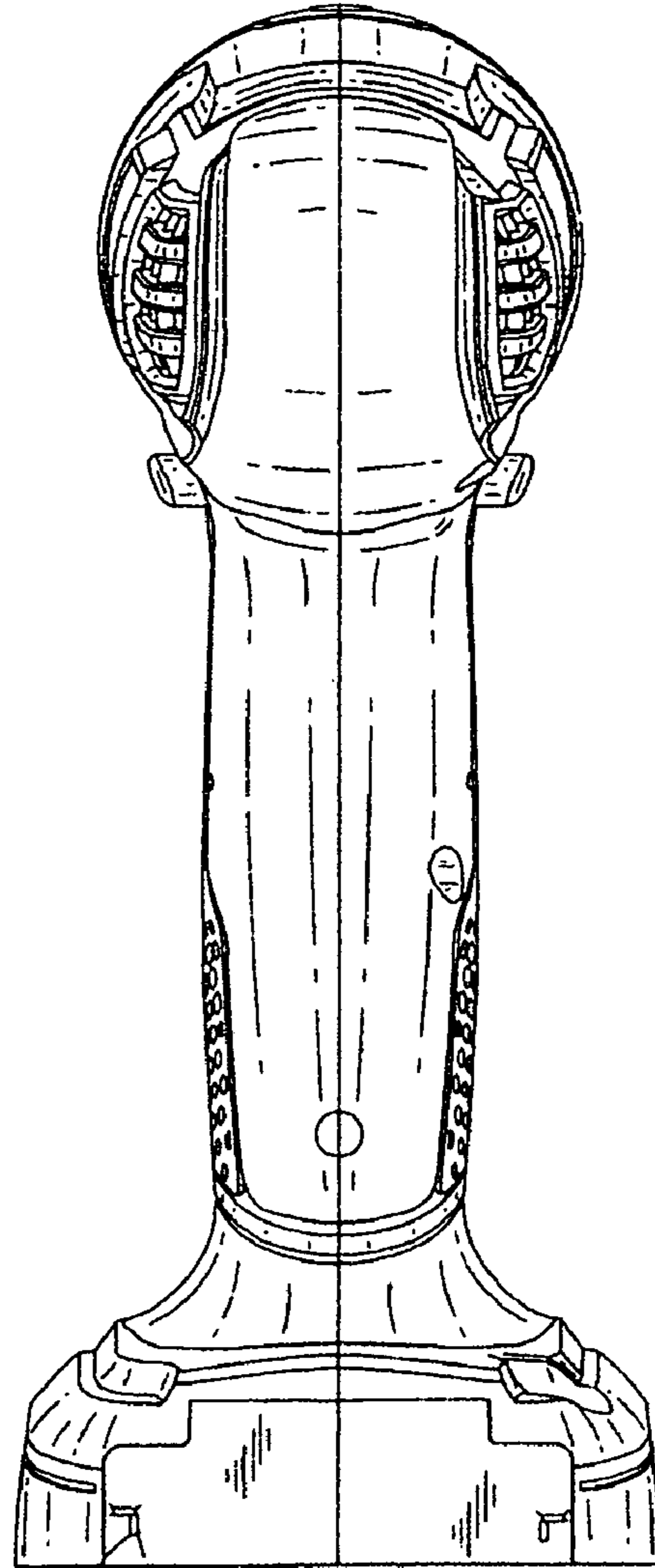


FIG. 7

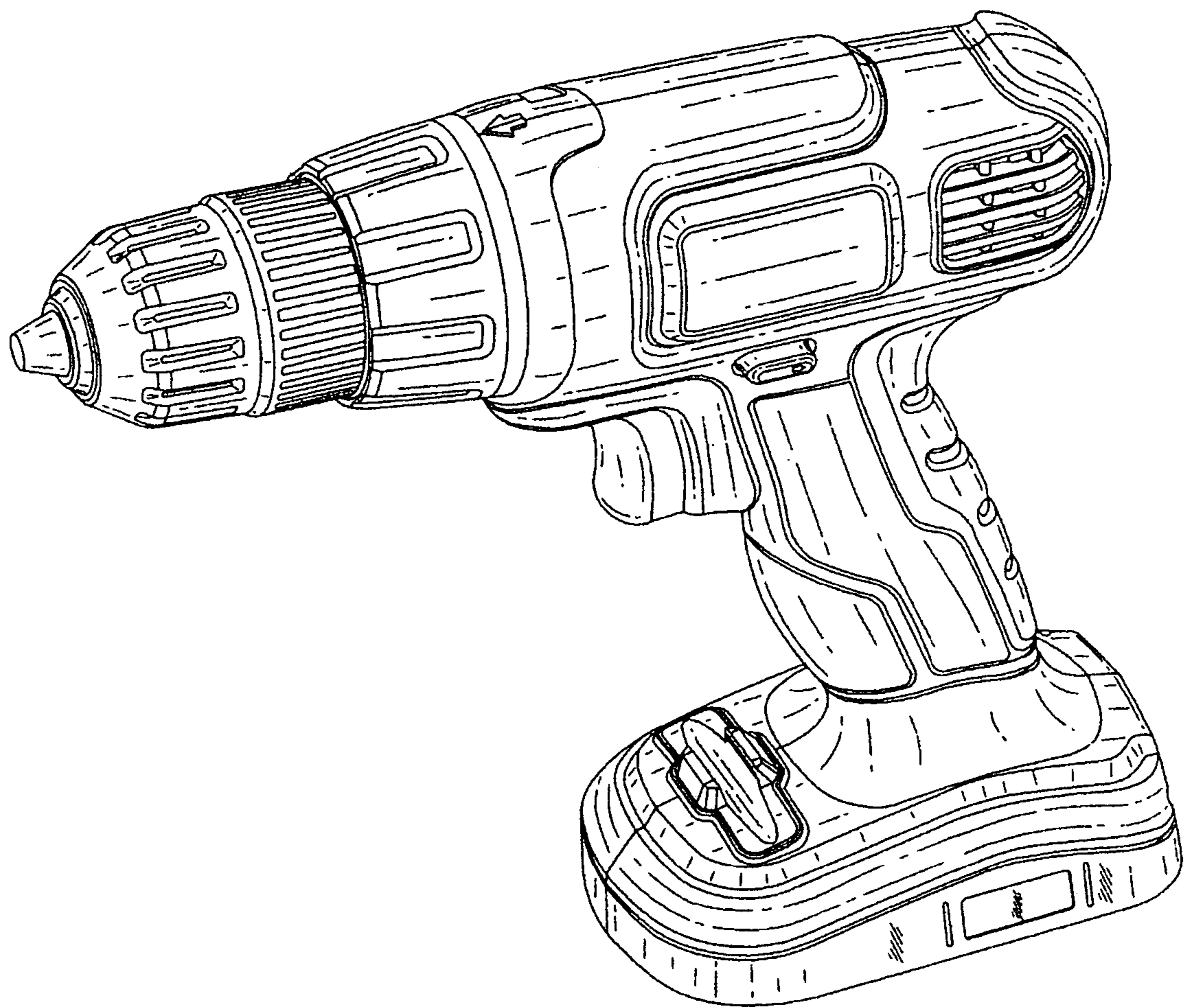


FIG.8

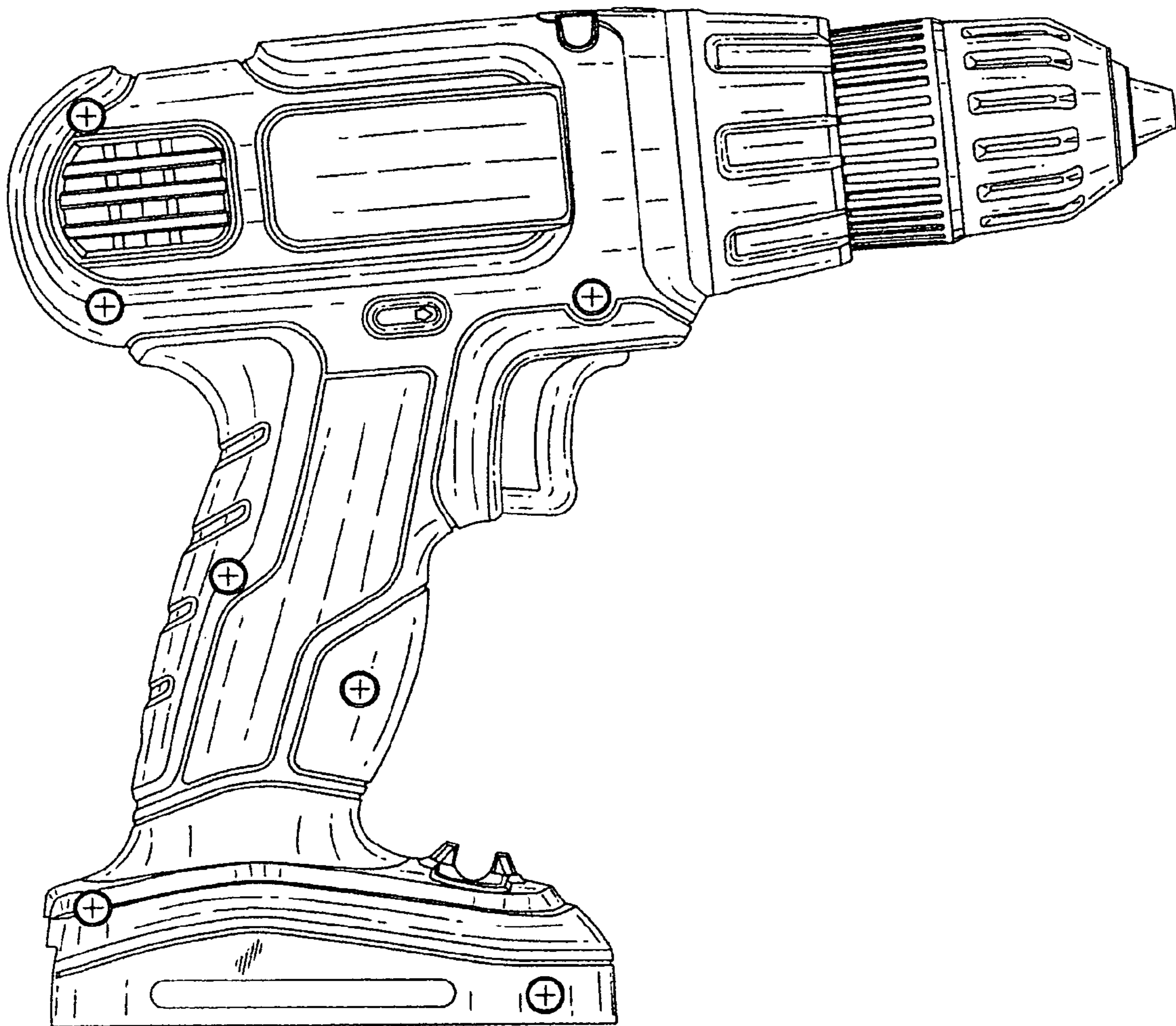


FIG. 9

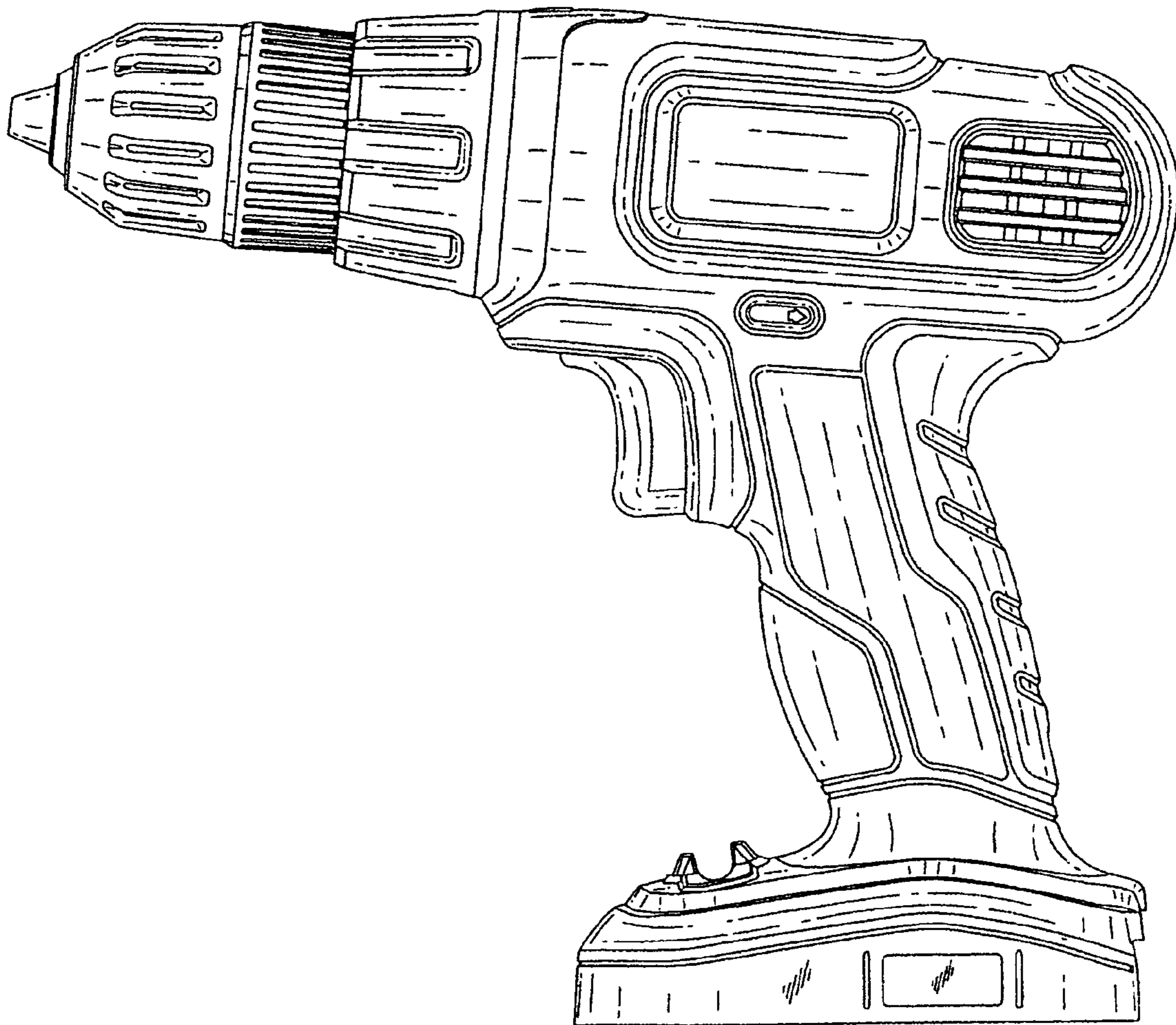


FIG.10

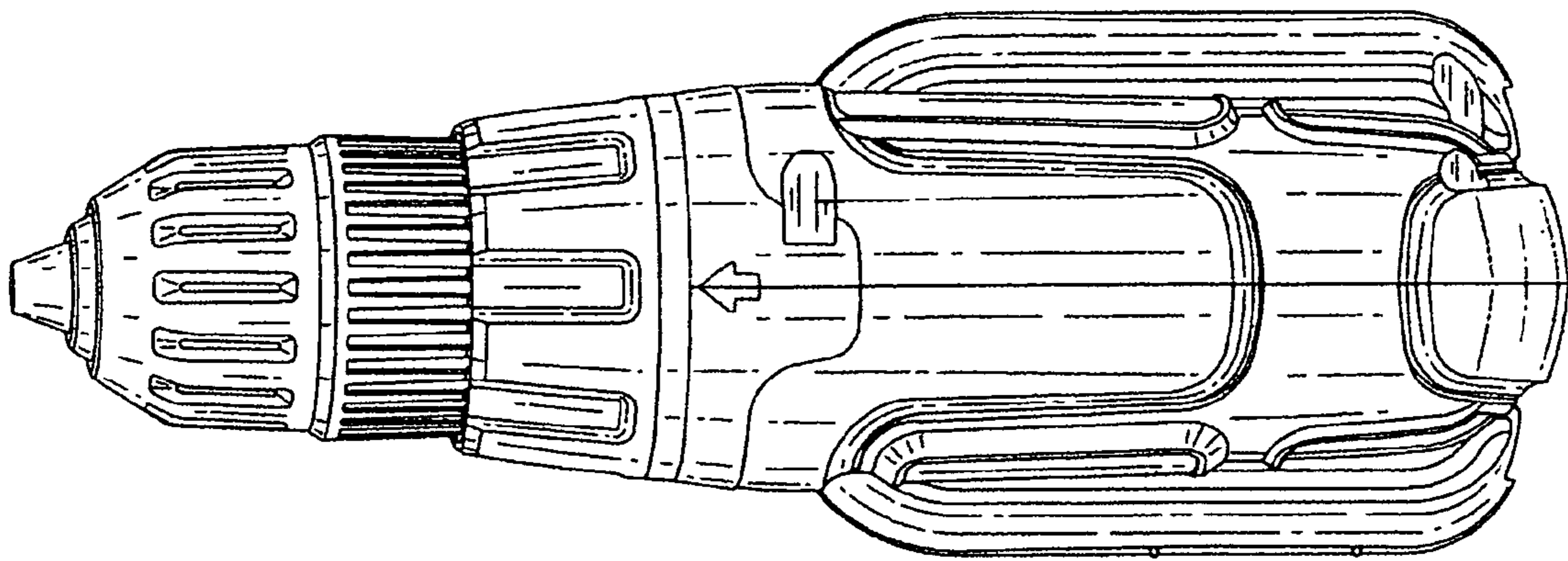


FIG. 11

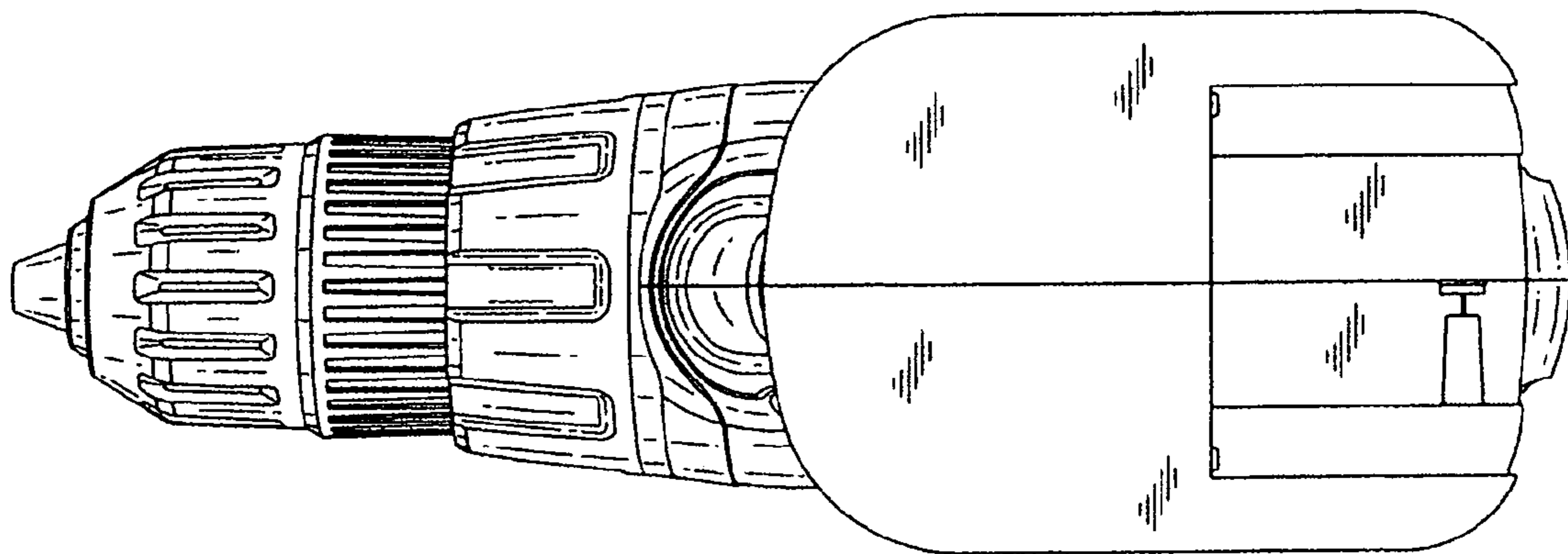


FIG. 12

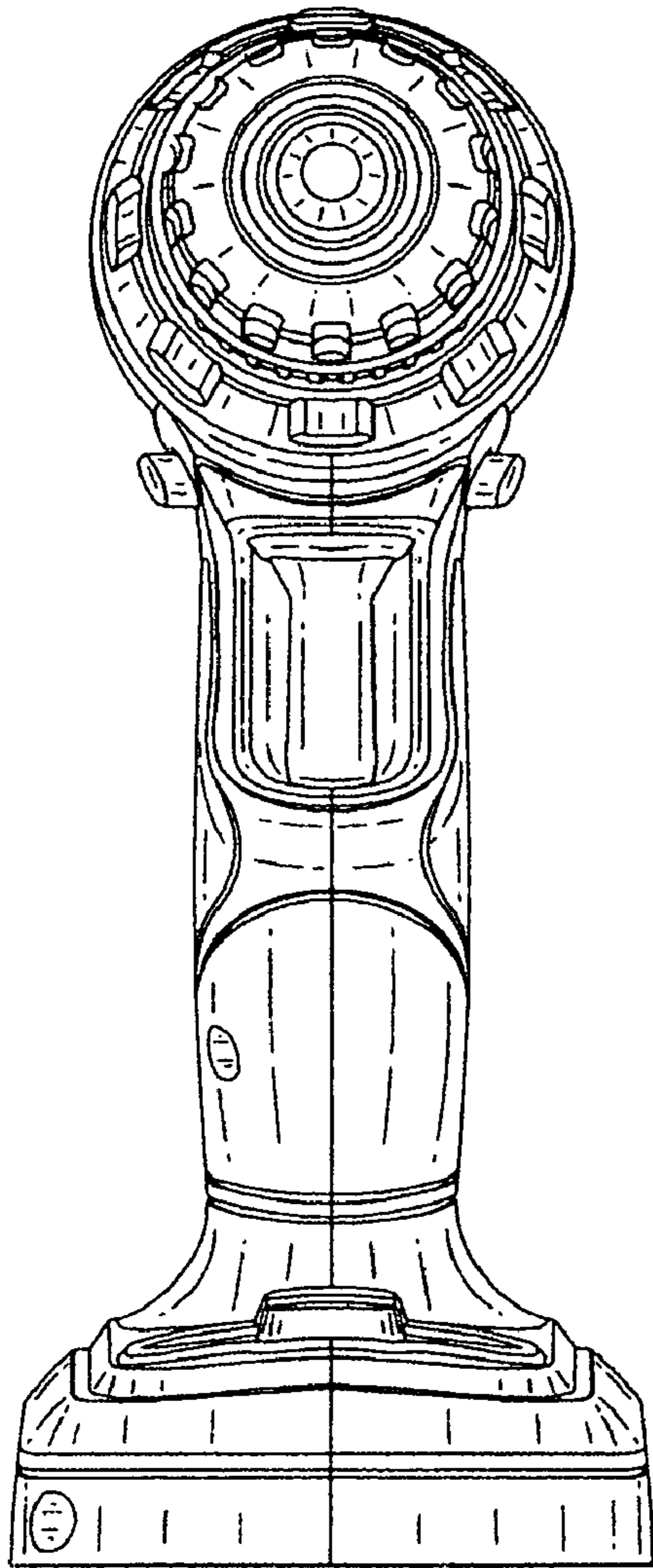


FIG. 13

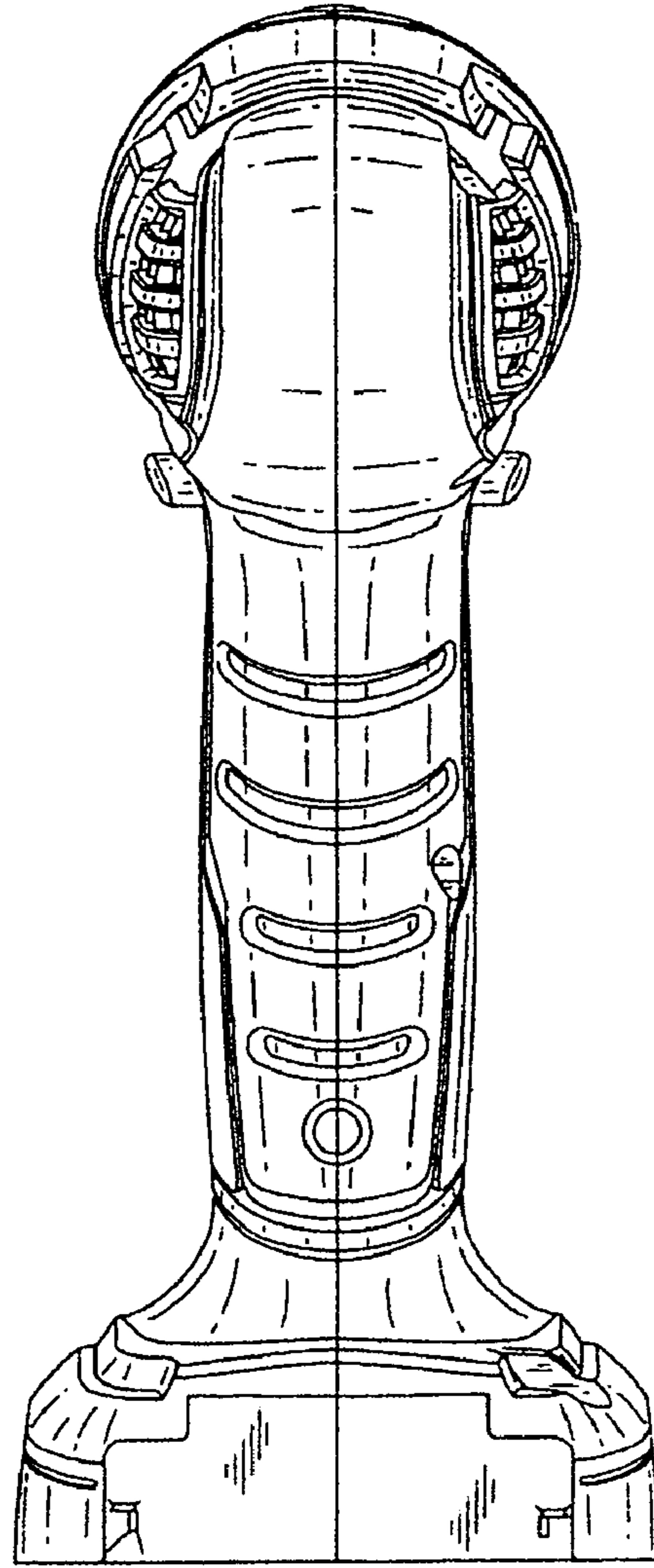


FIG. 14

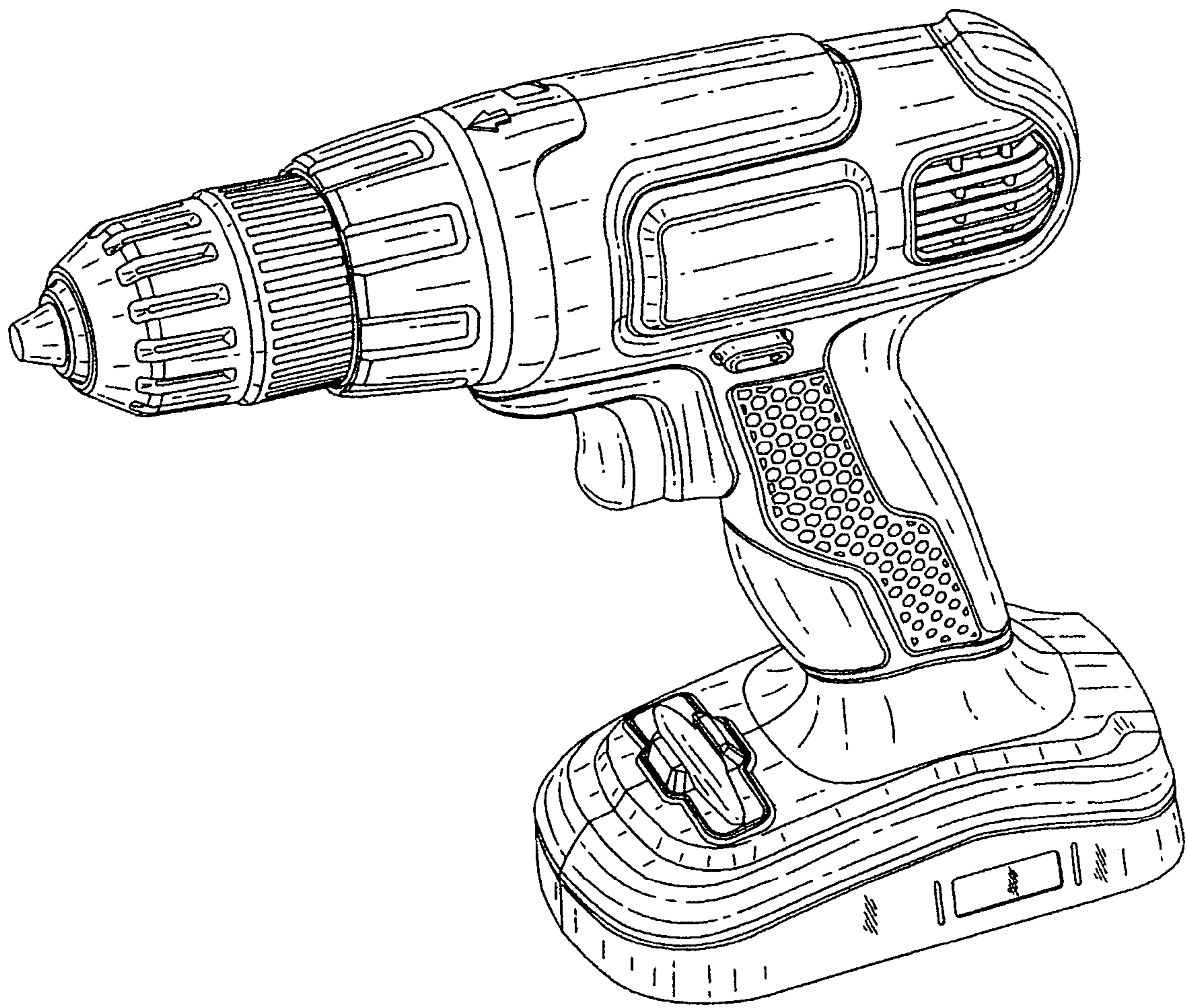


FIG.15

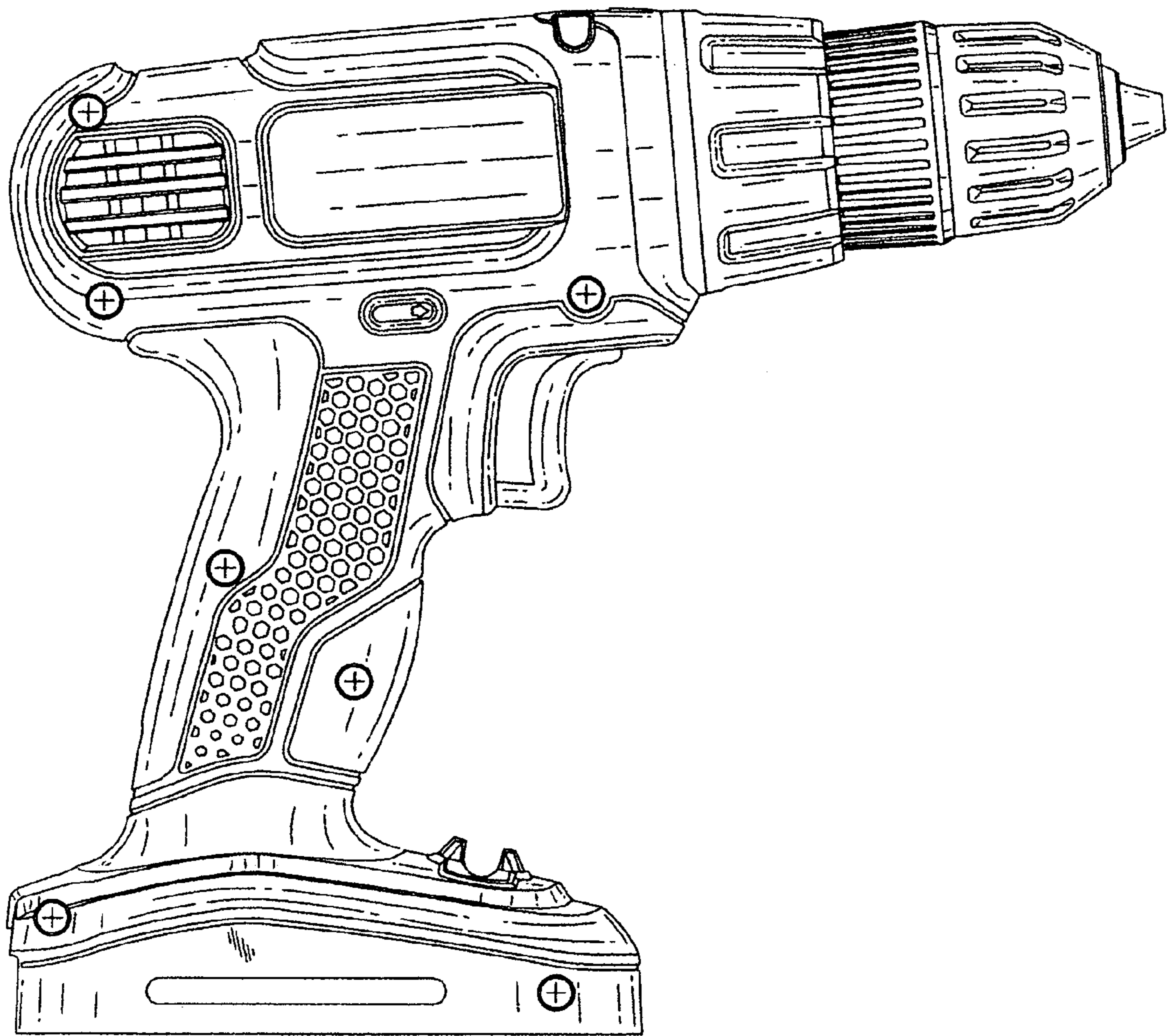


FIG.16

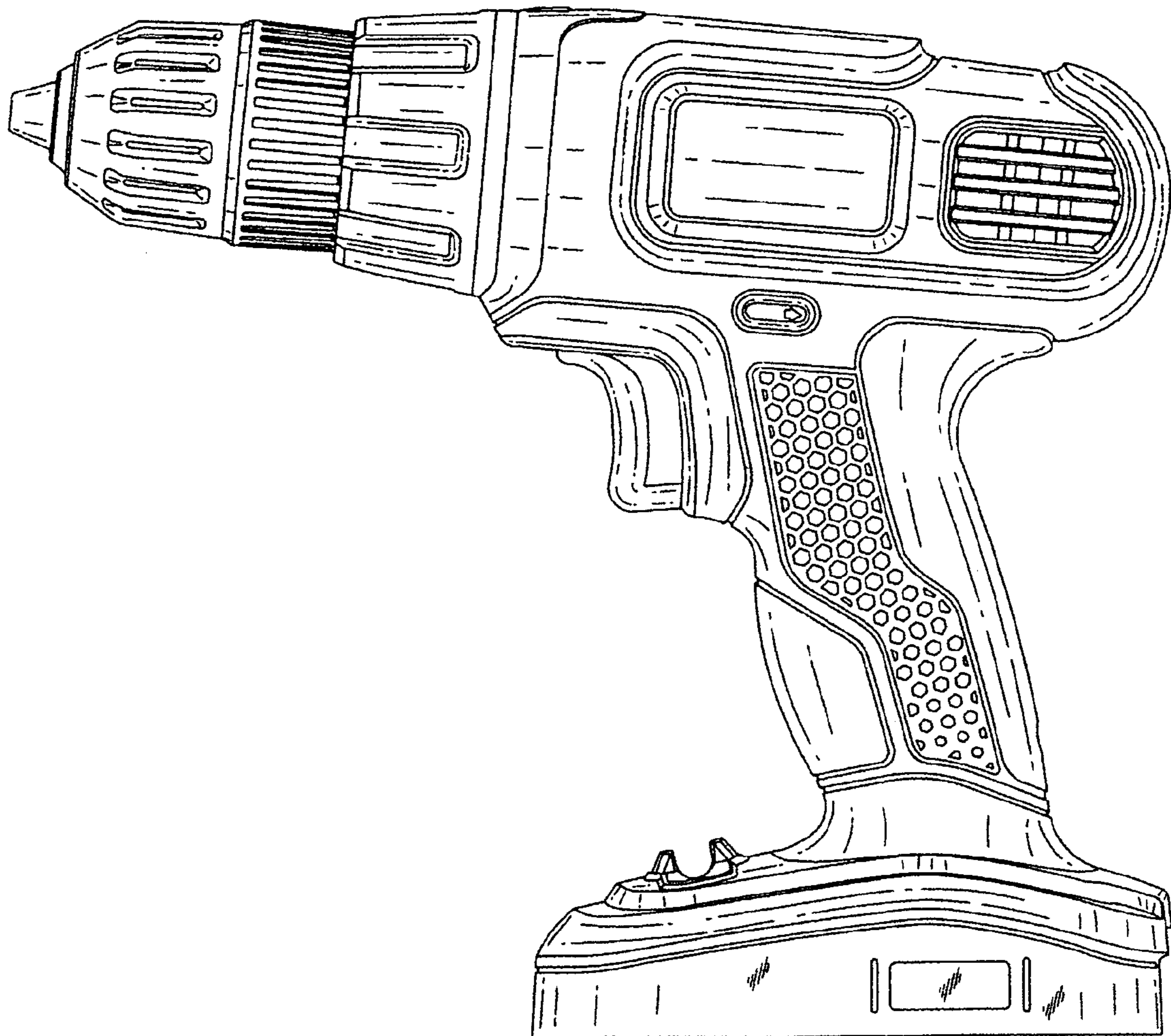


FIG.17

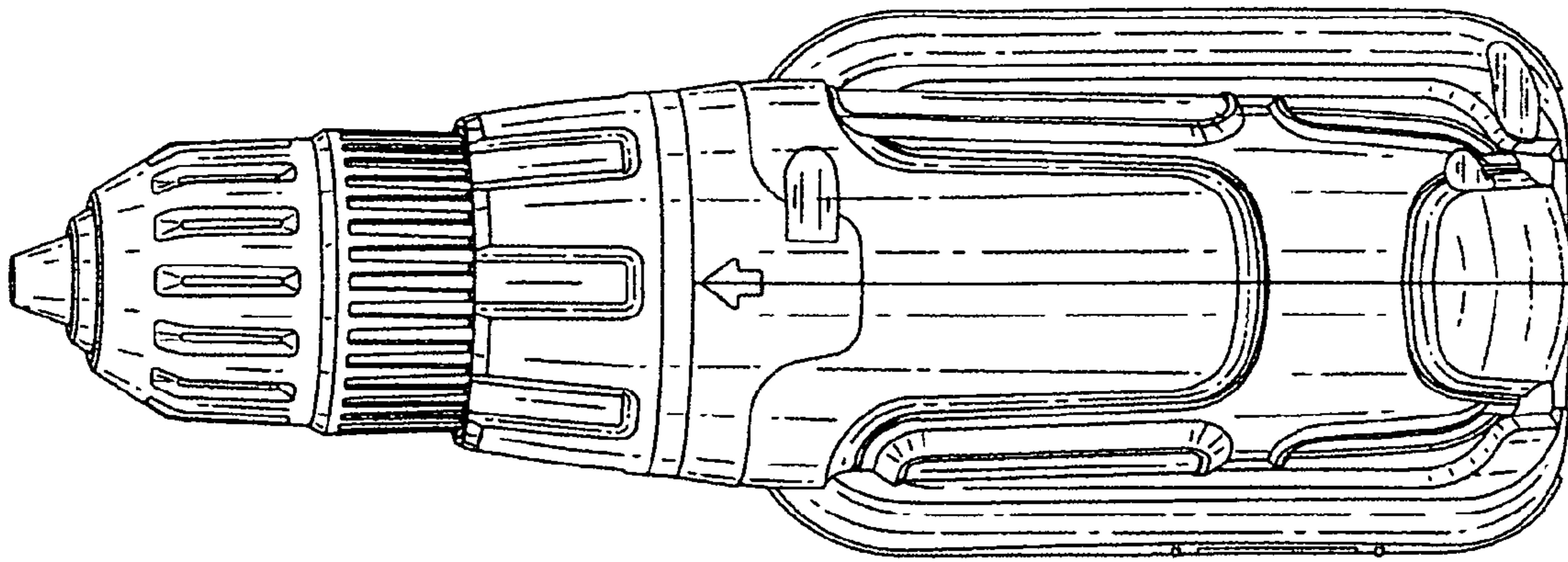


FIG. 18

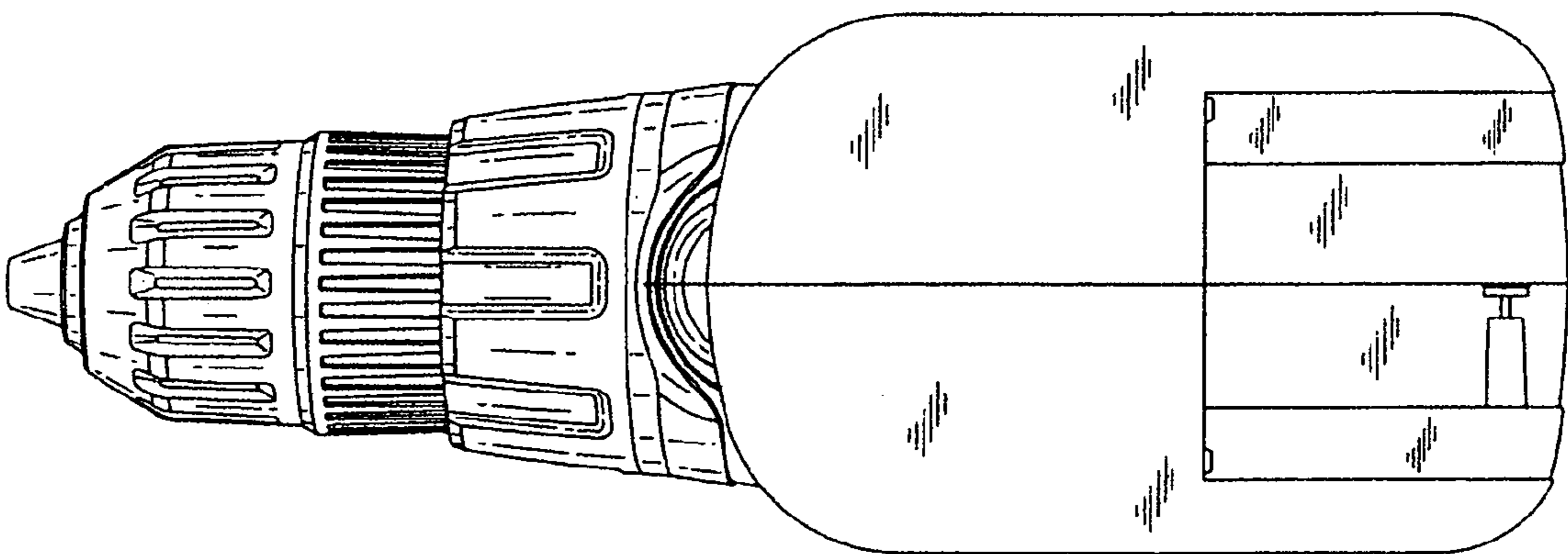


FIG. 19

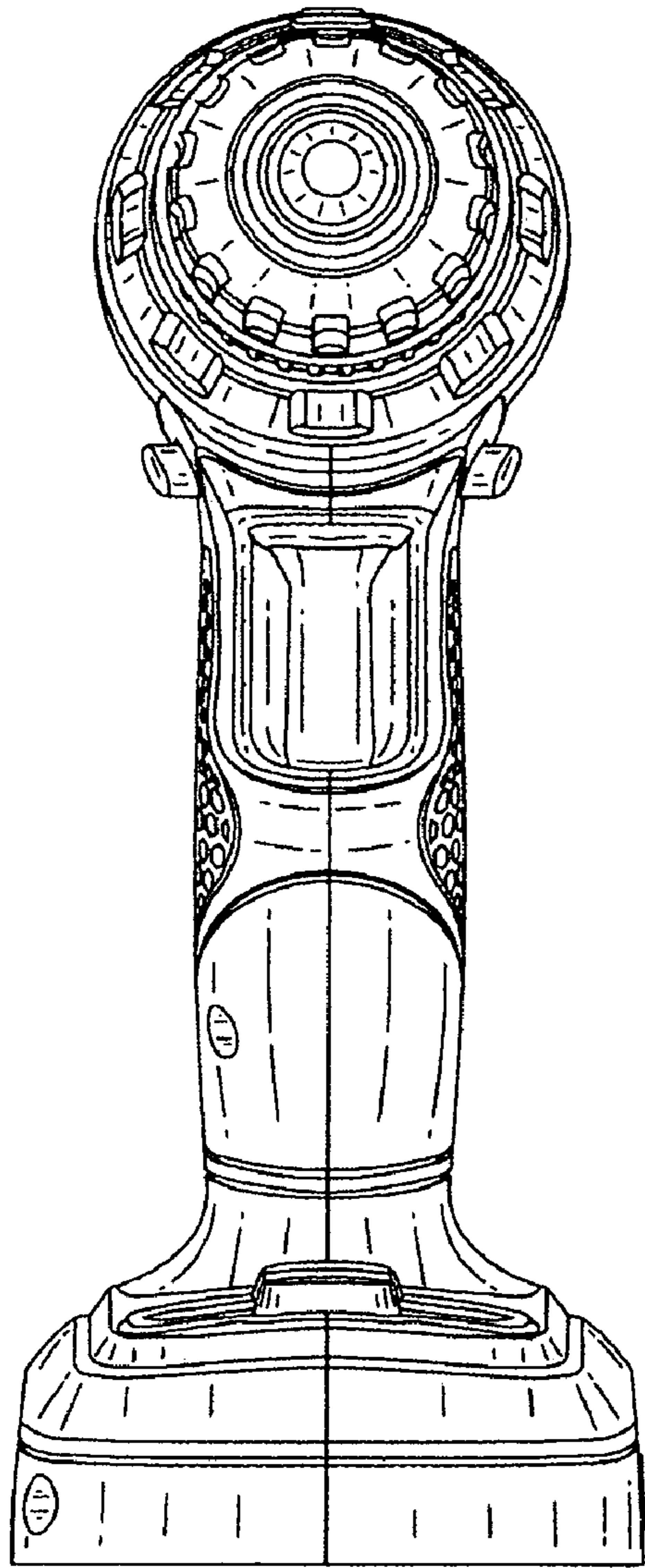


FIG. 20

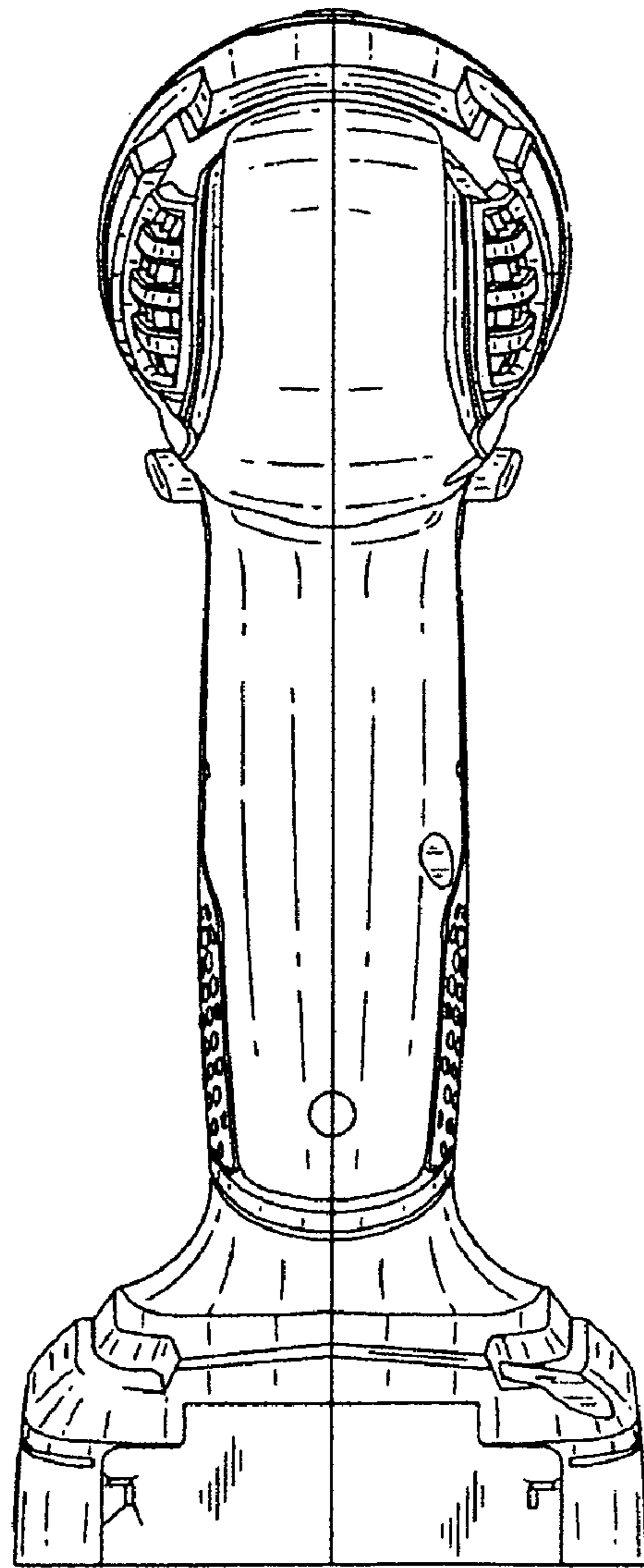


FIG. 21

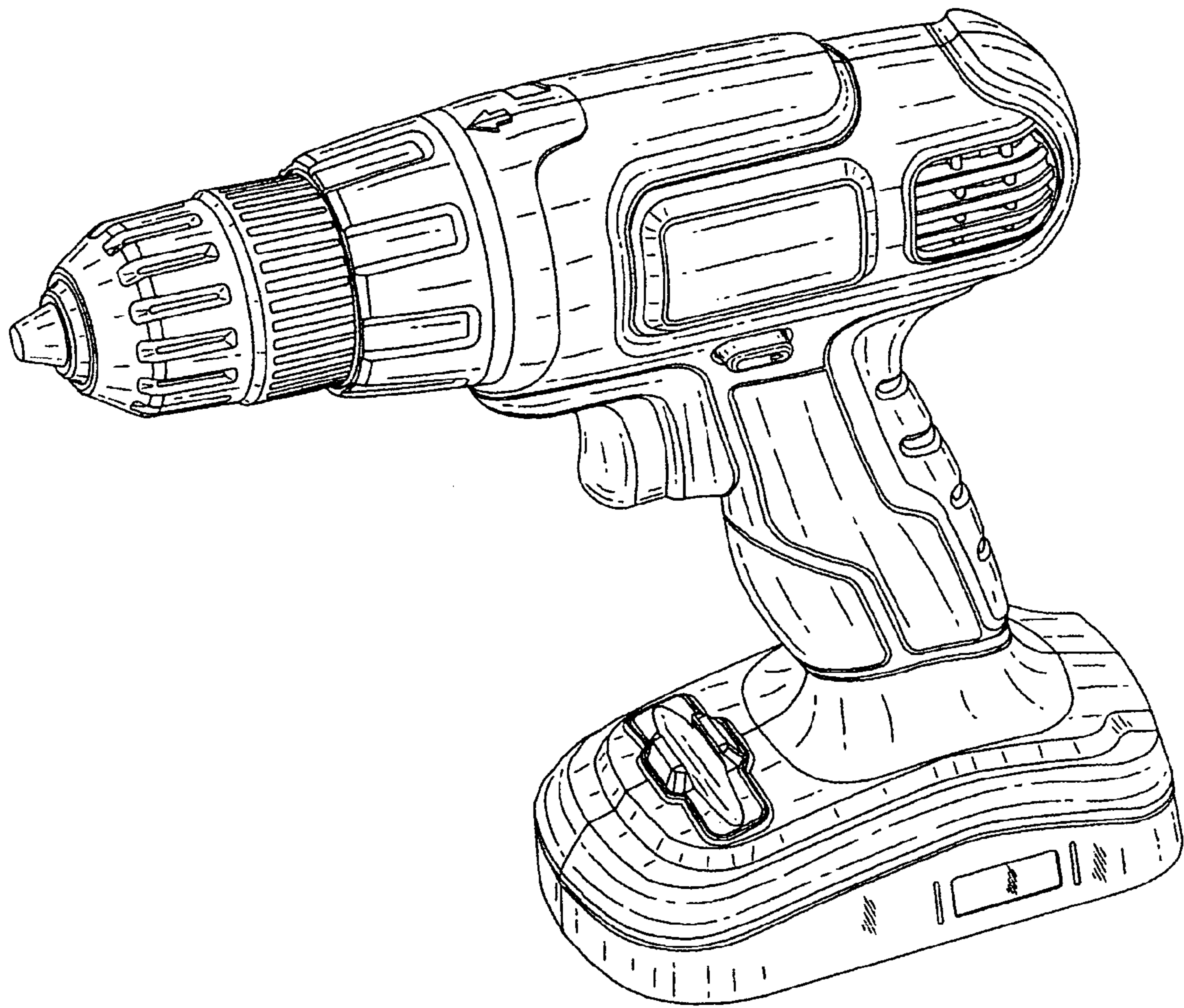


FIG.22

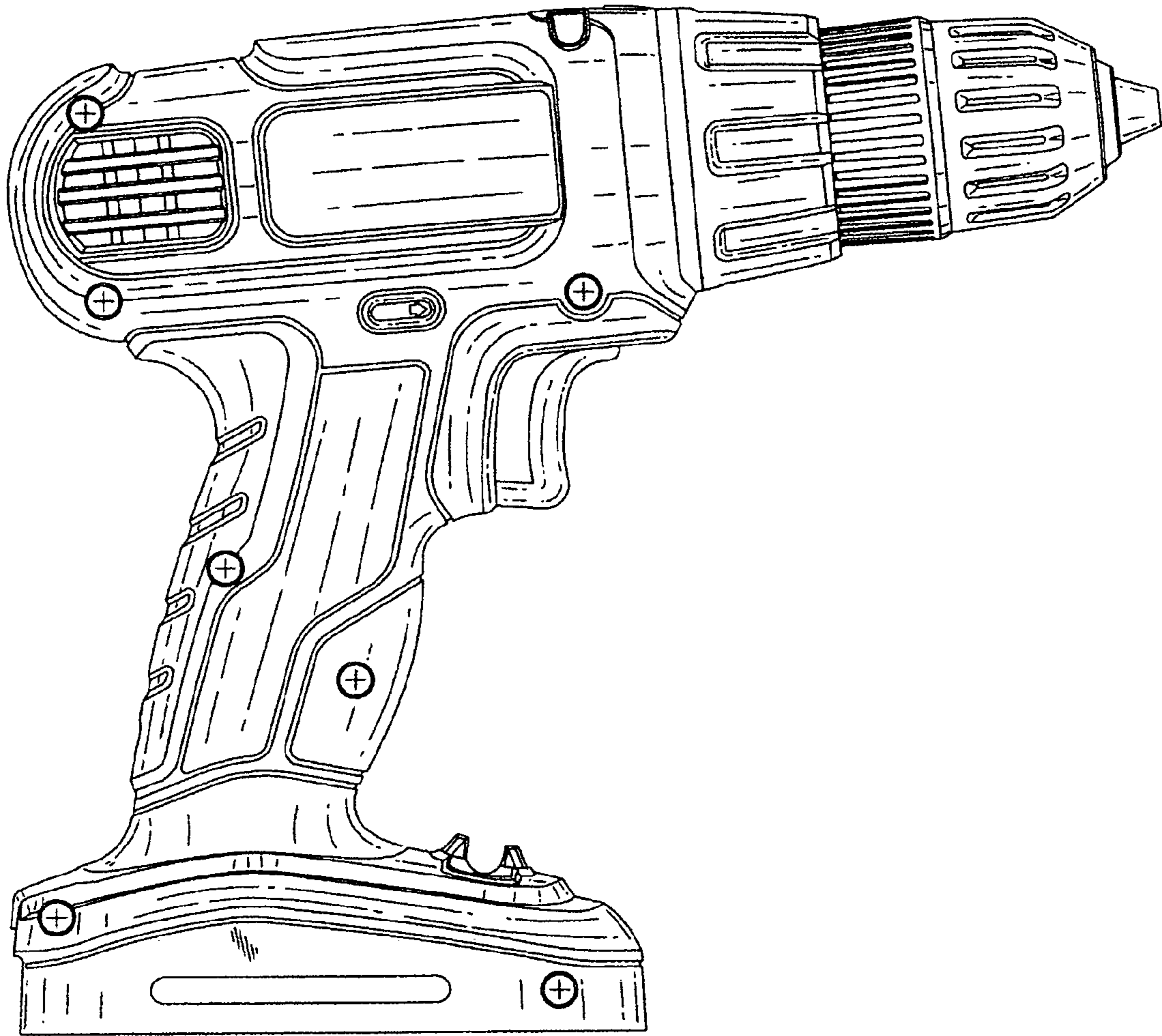


FIG.23

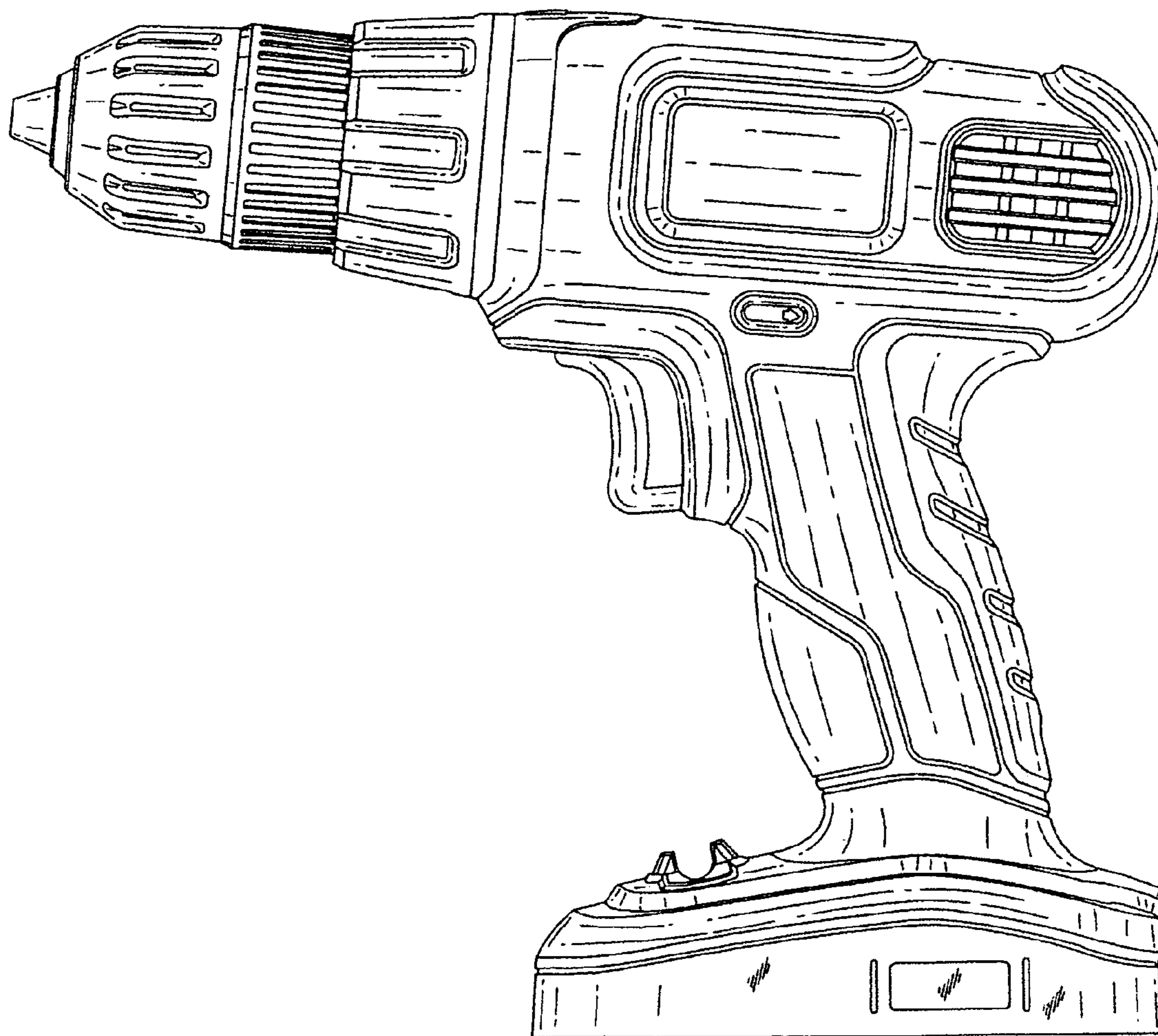


FIG.24

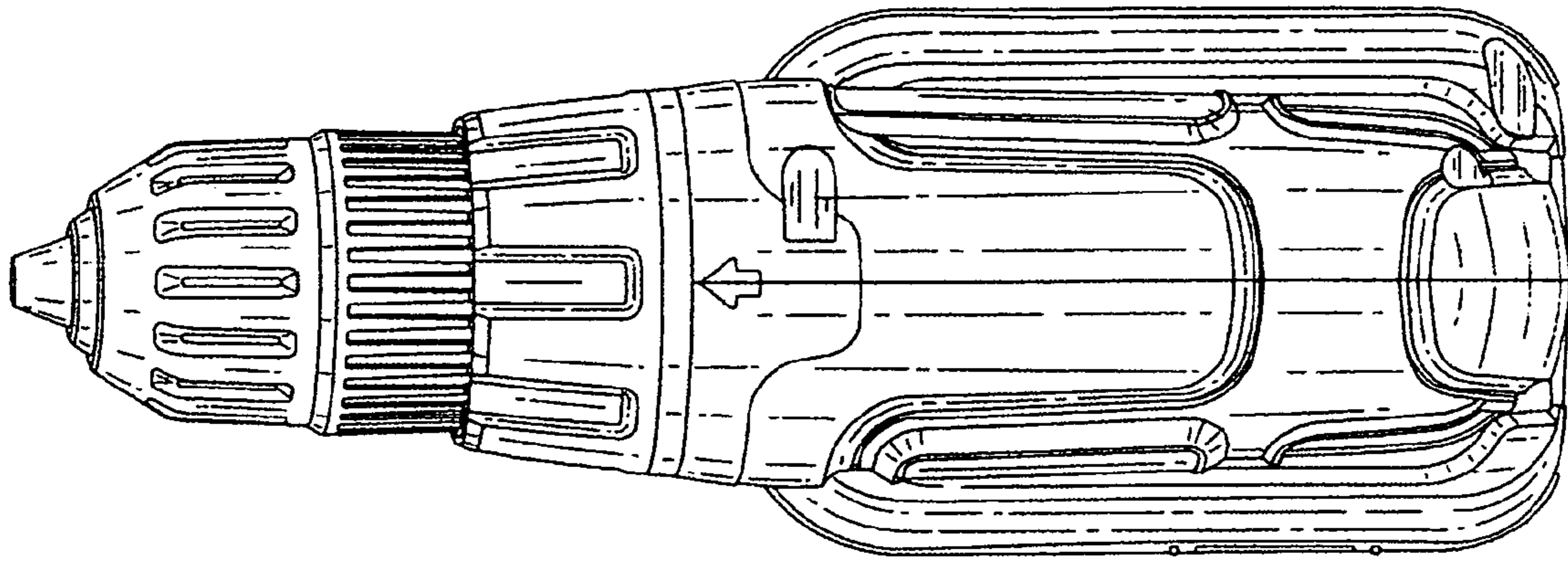


FIG. 25

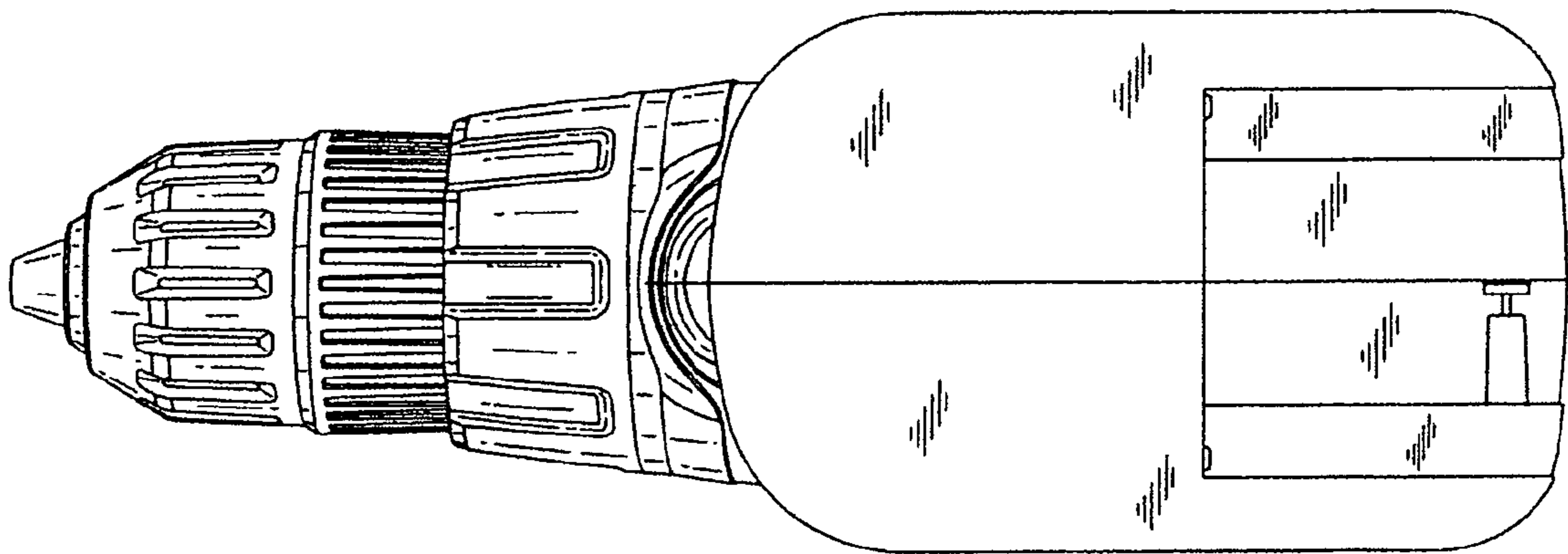


FIG. 26

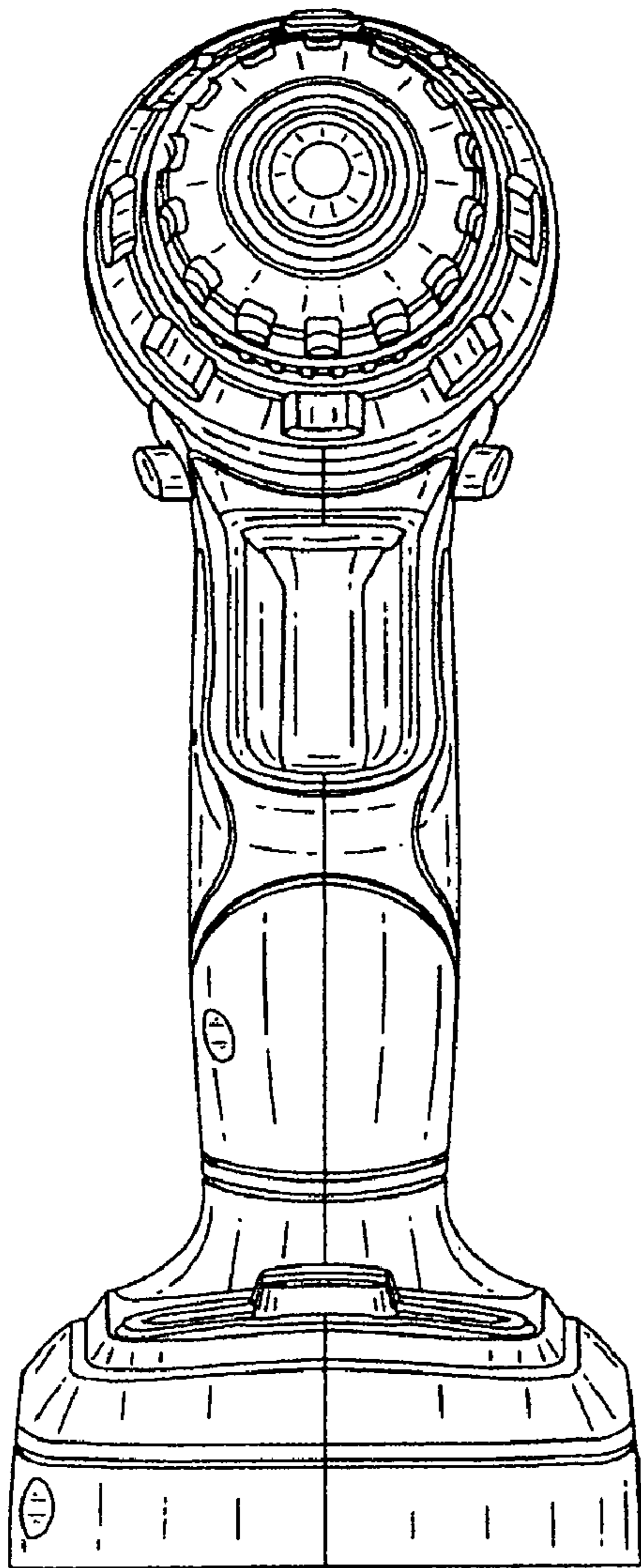


FIG. 27

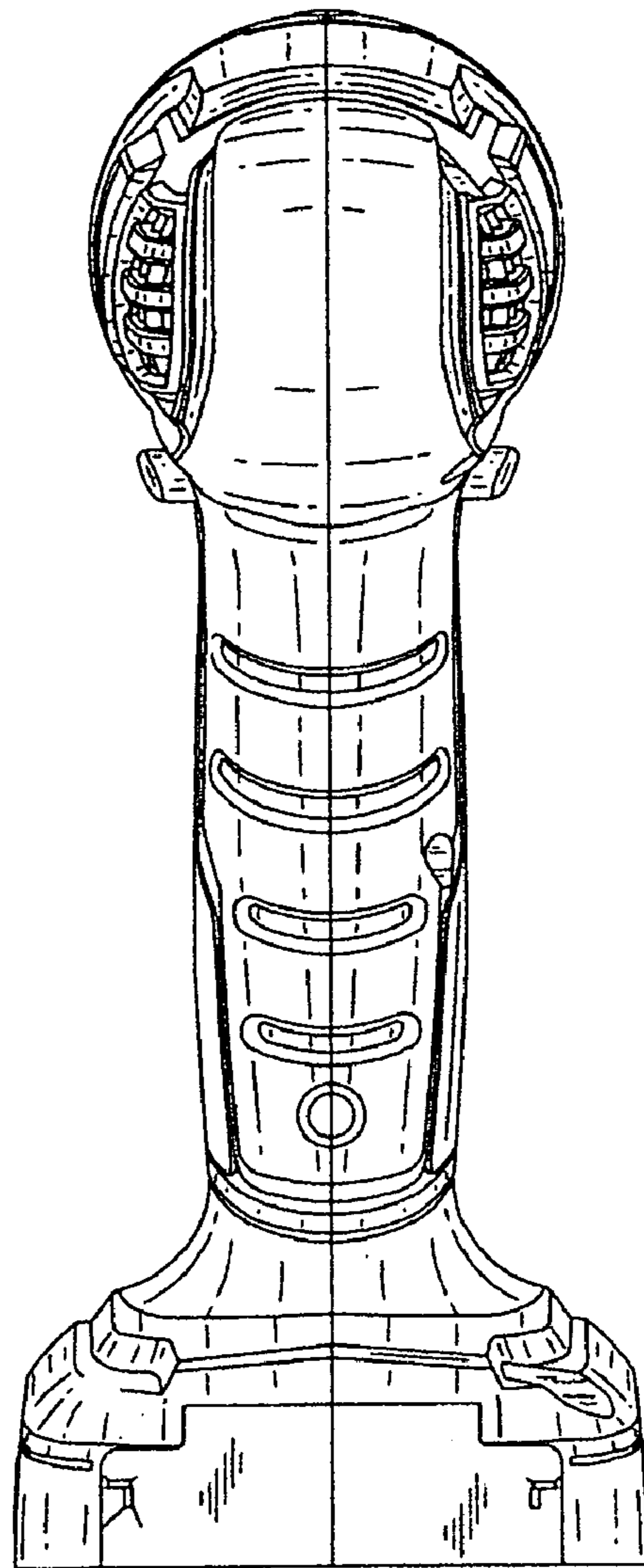


FIG. 28

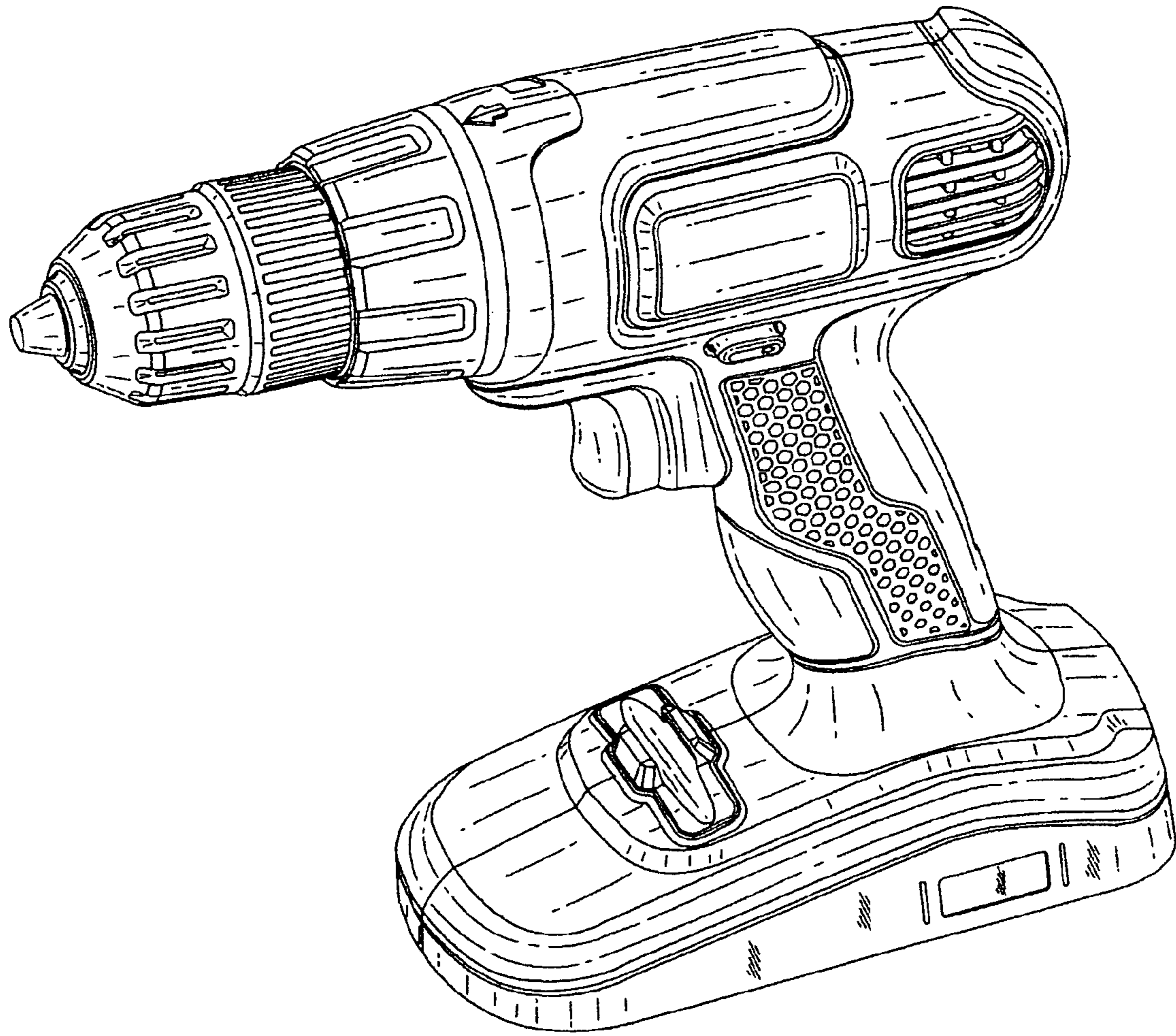


FIG.29

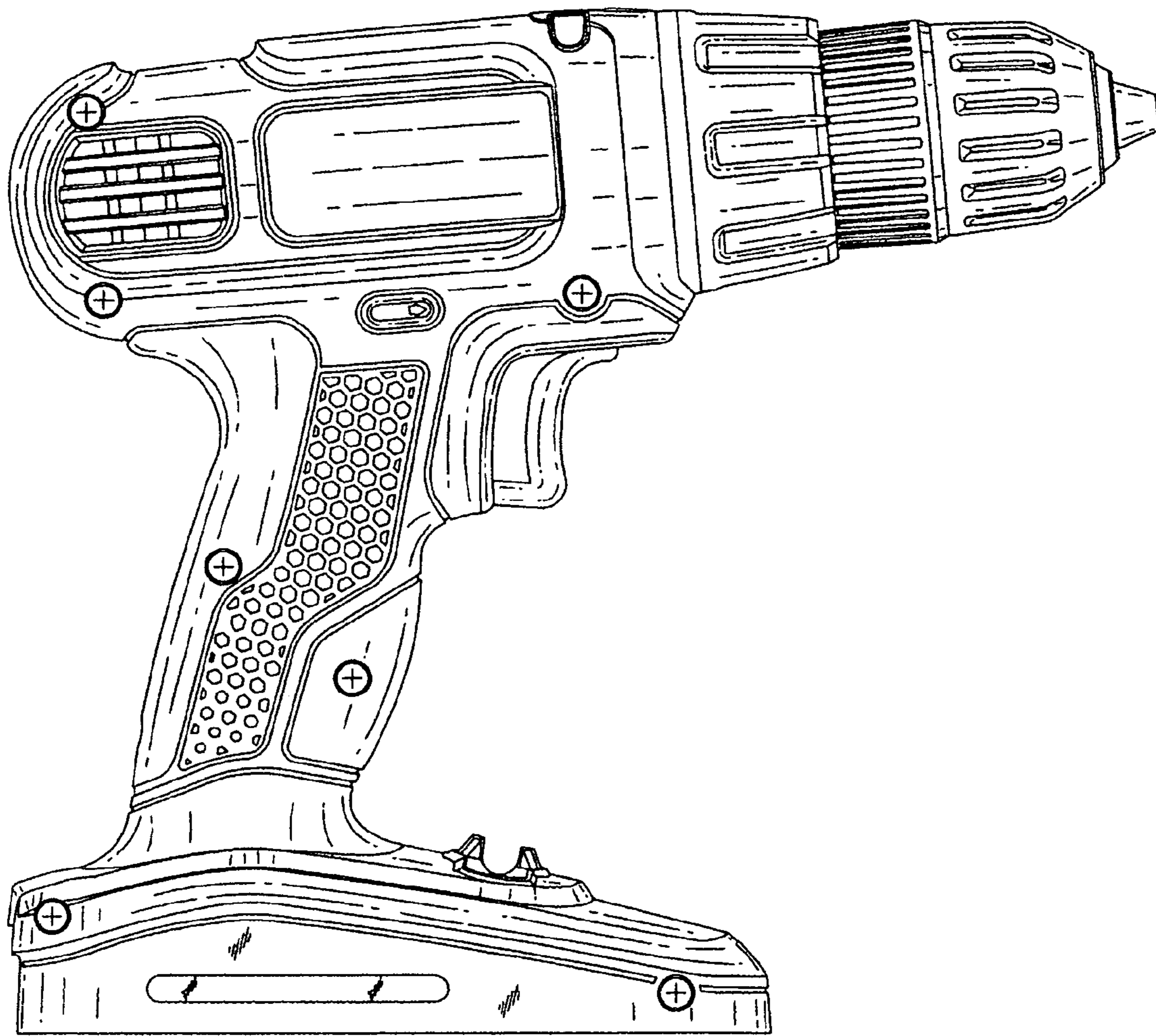


FIG.30

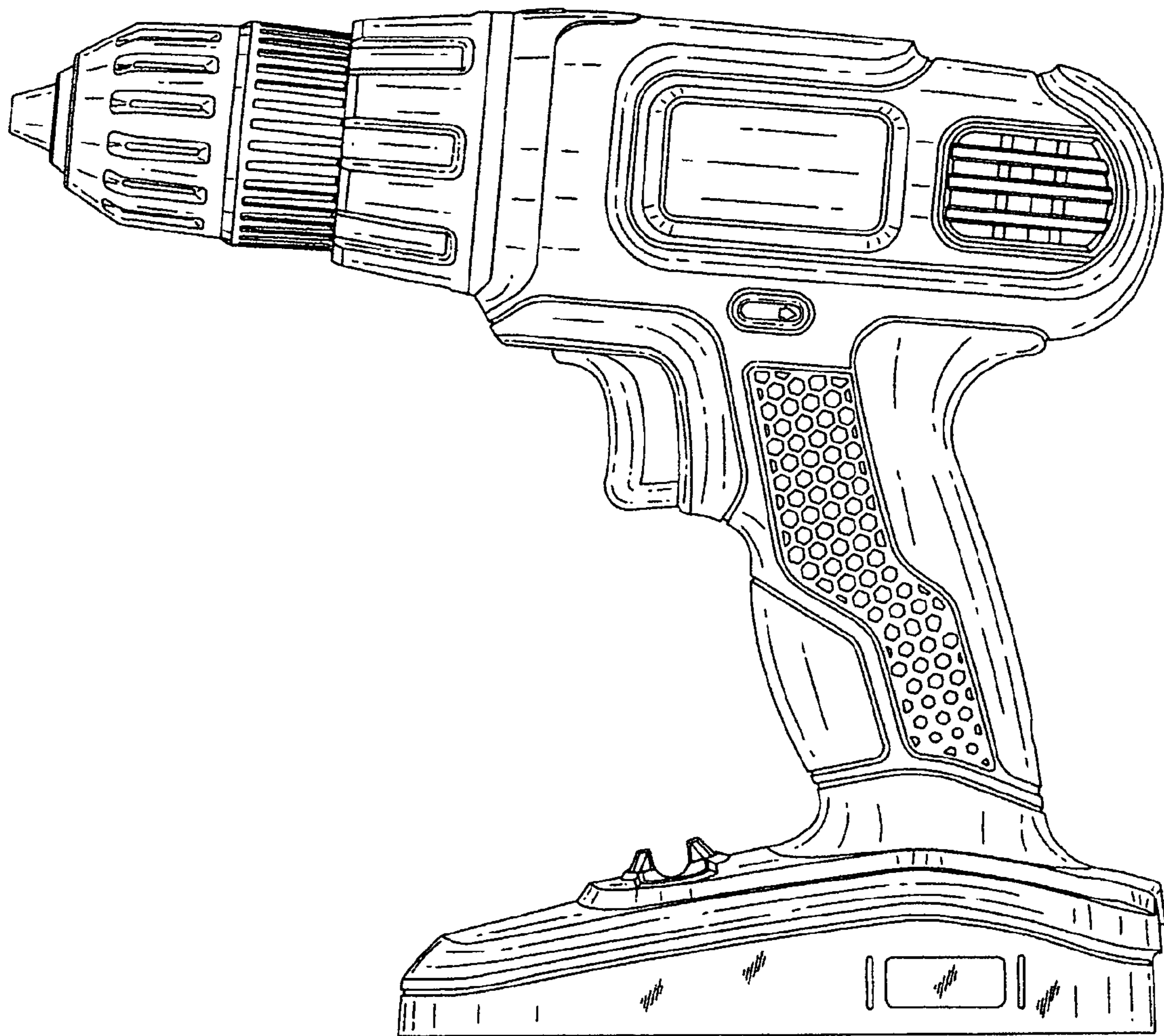


FIG.31

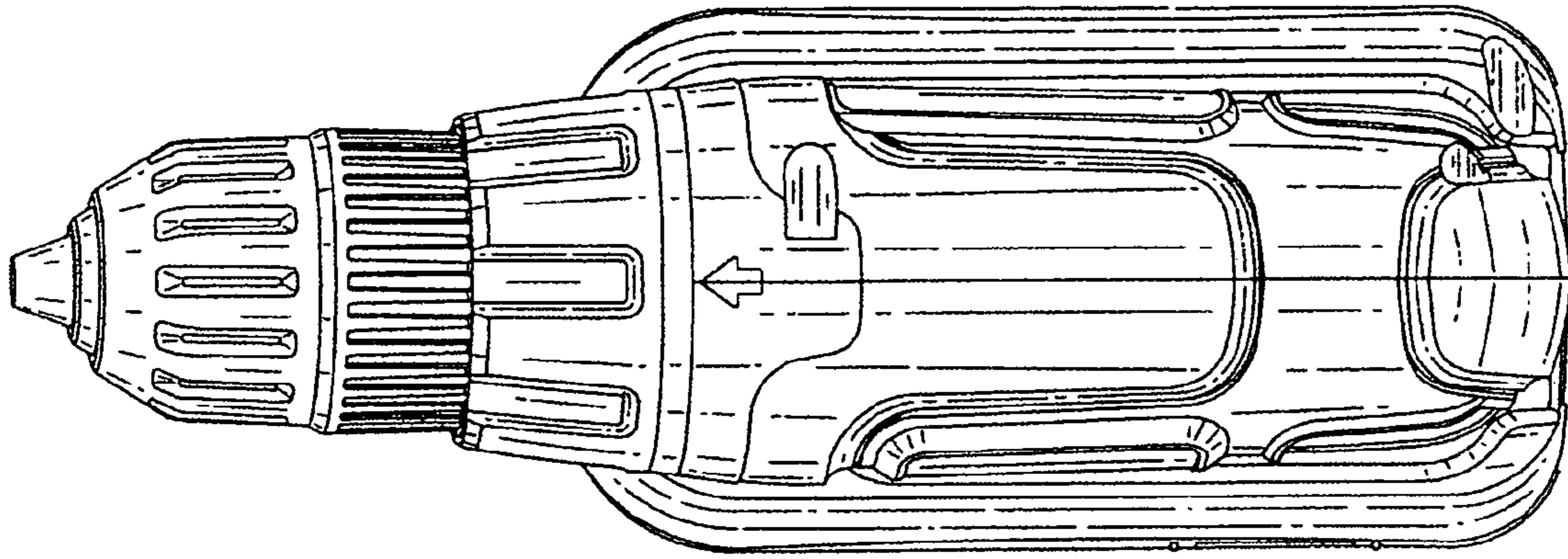


FIG.32

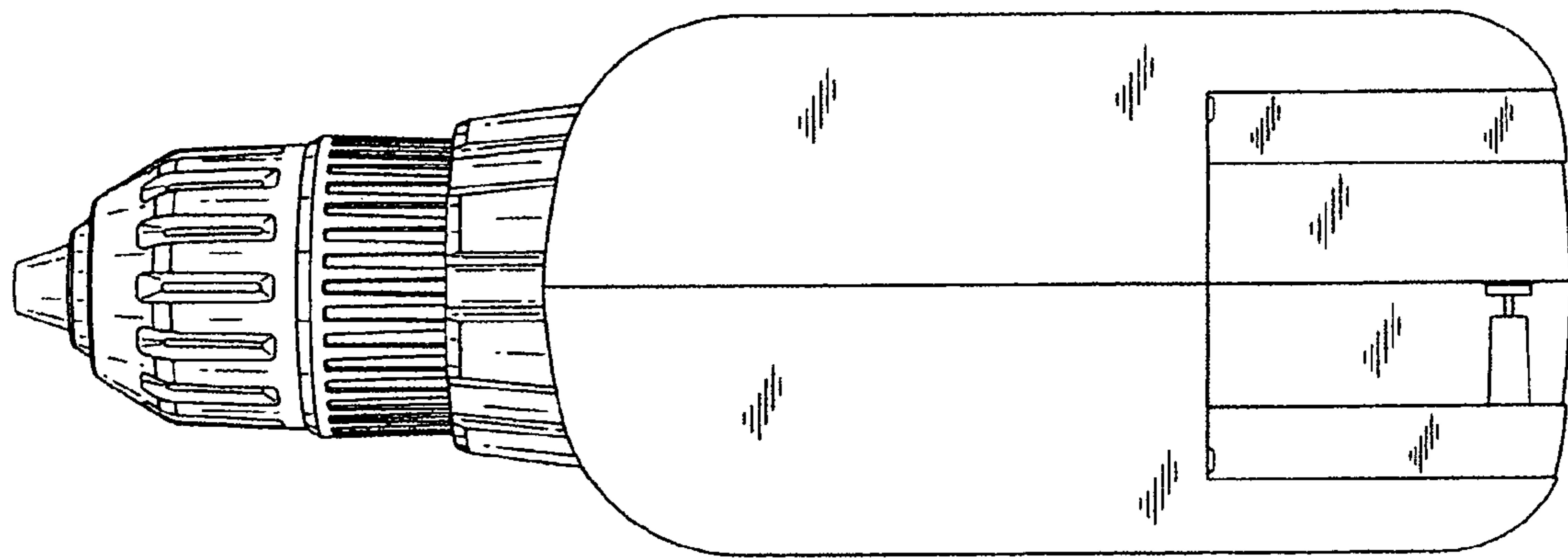


FIG.33

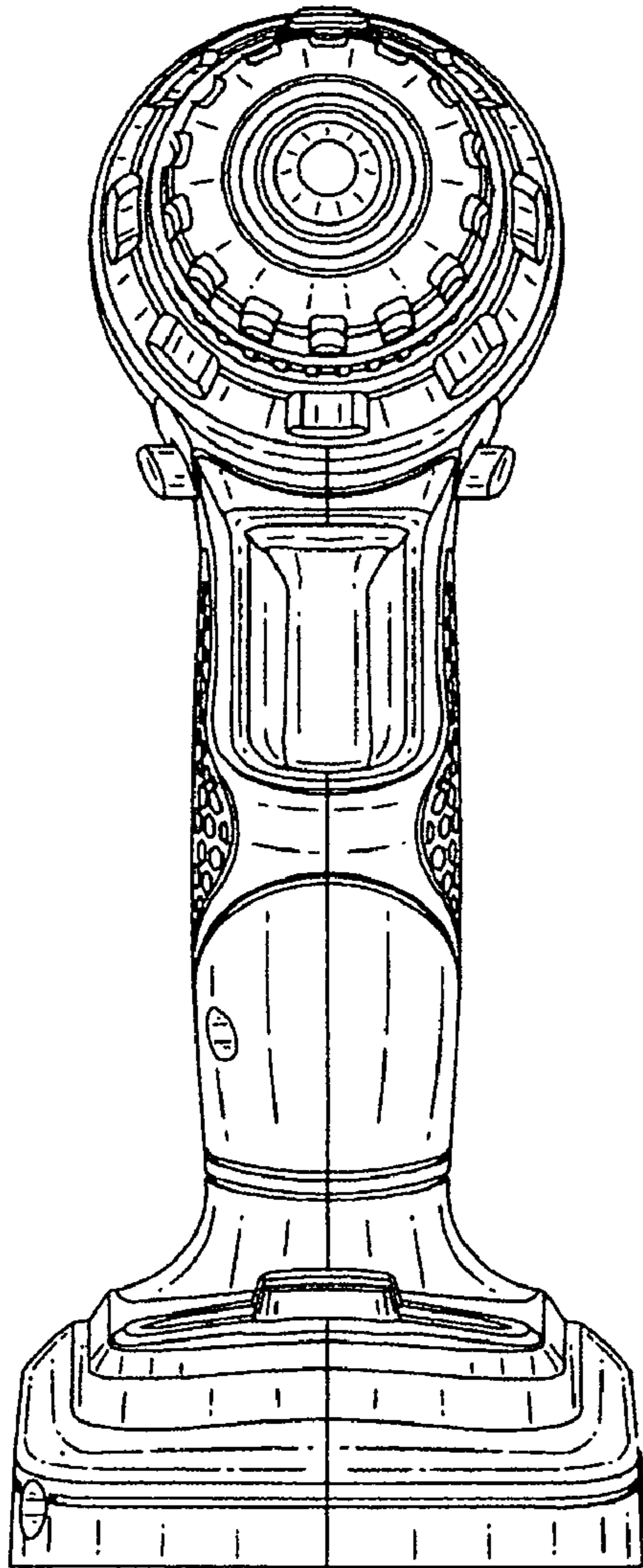


FIG.34

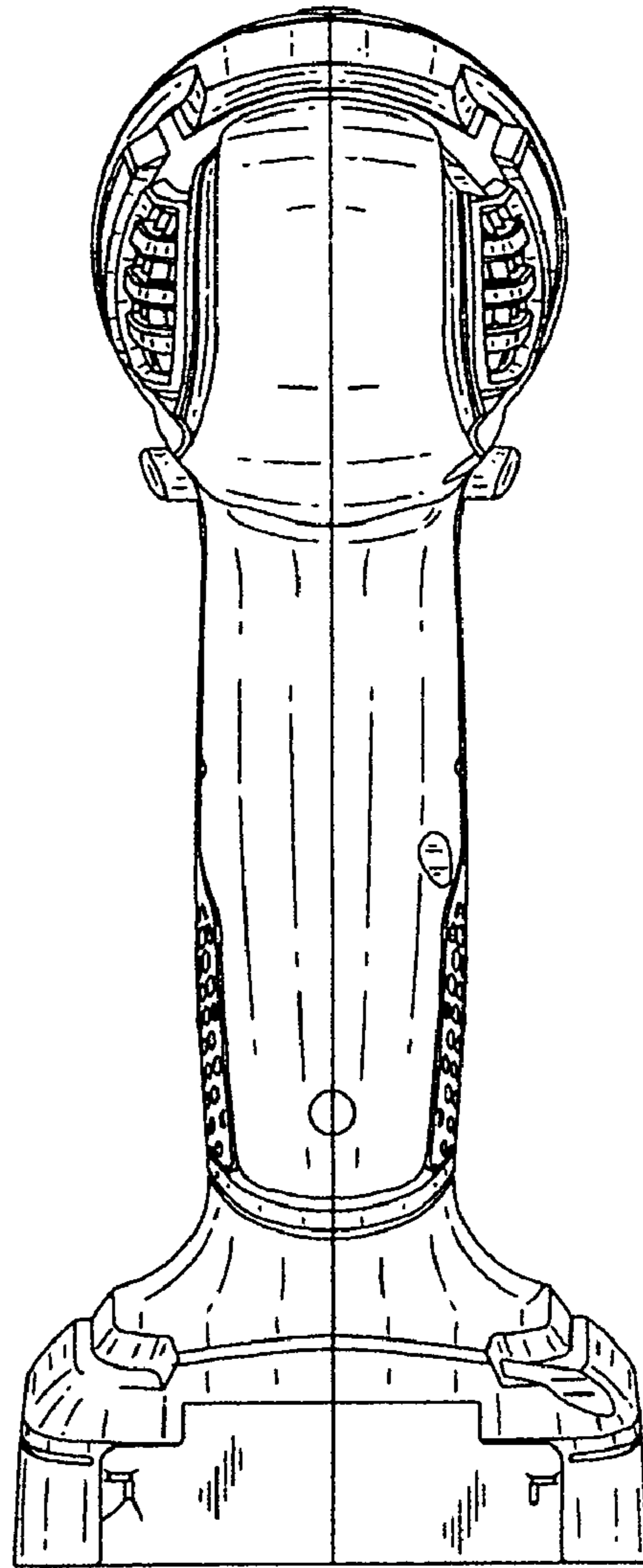


FIG.35

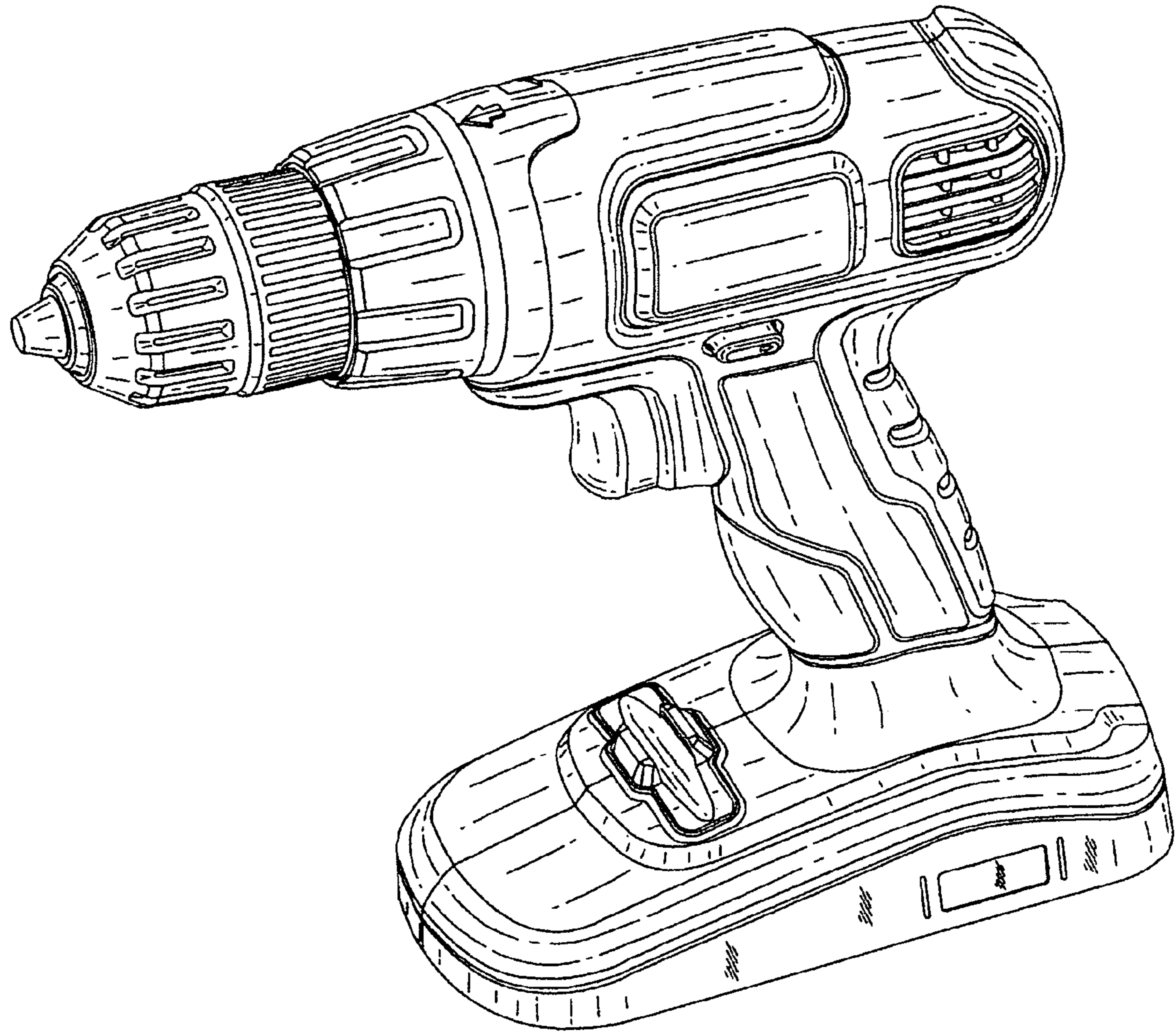


FIG.36

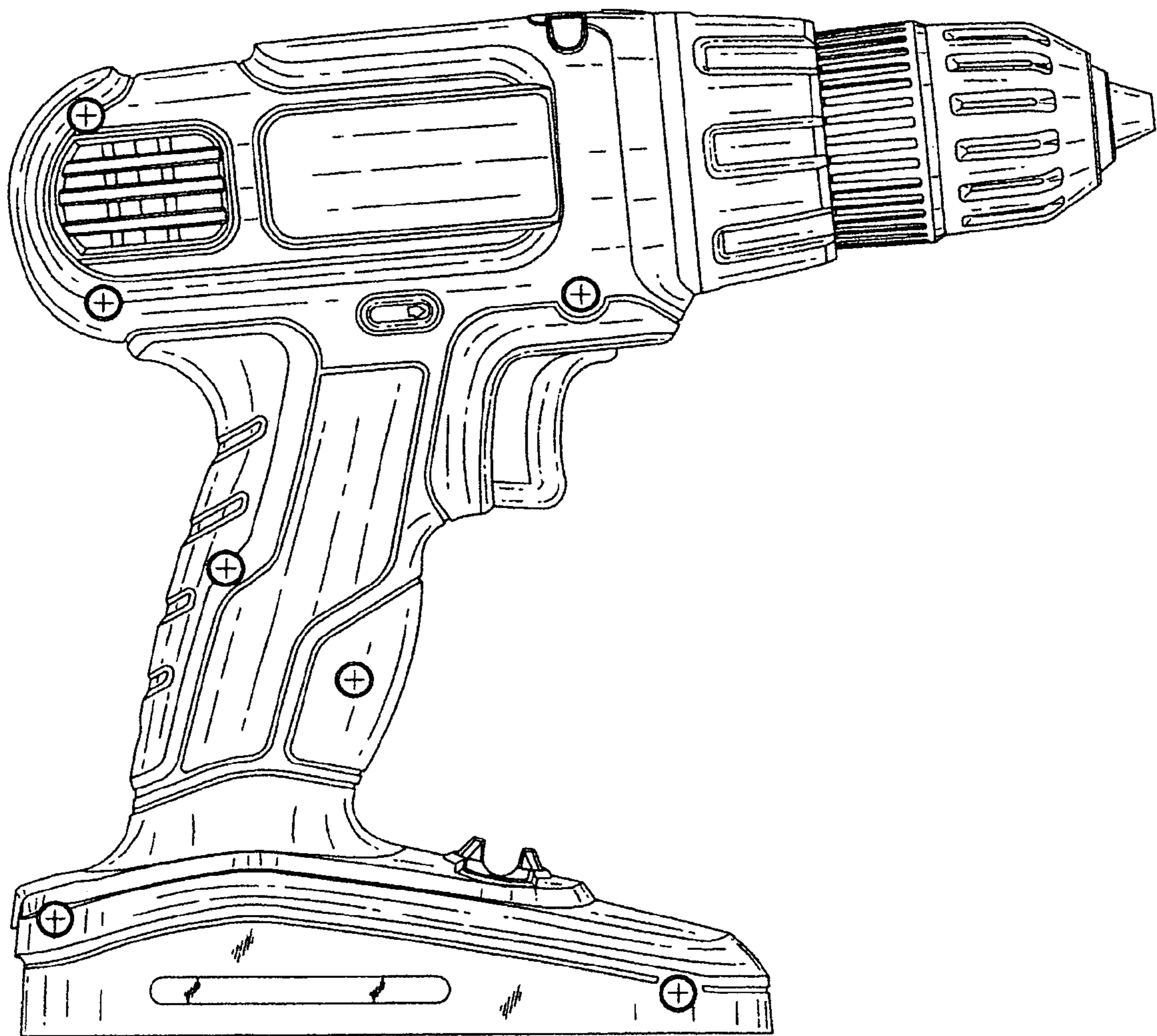


FIG.37

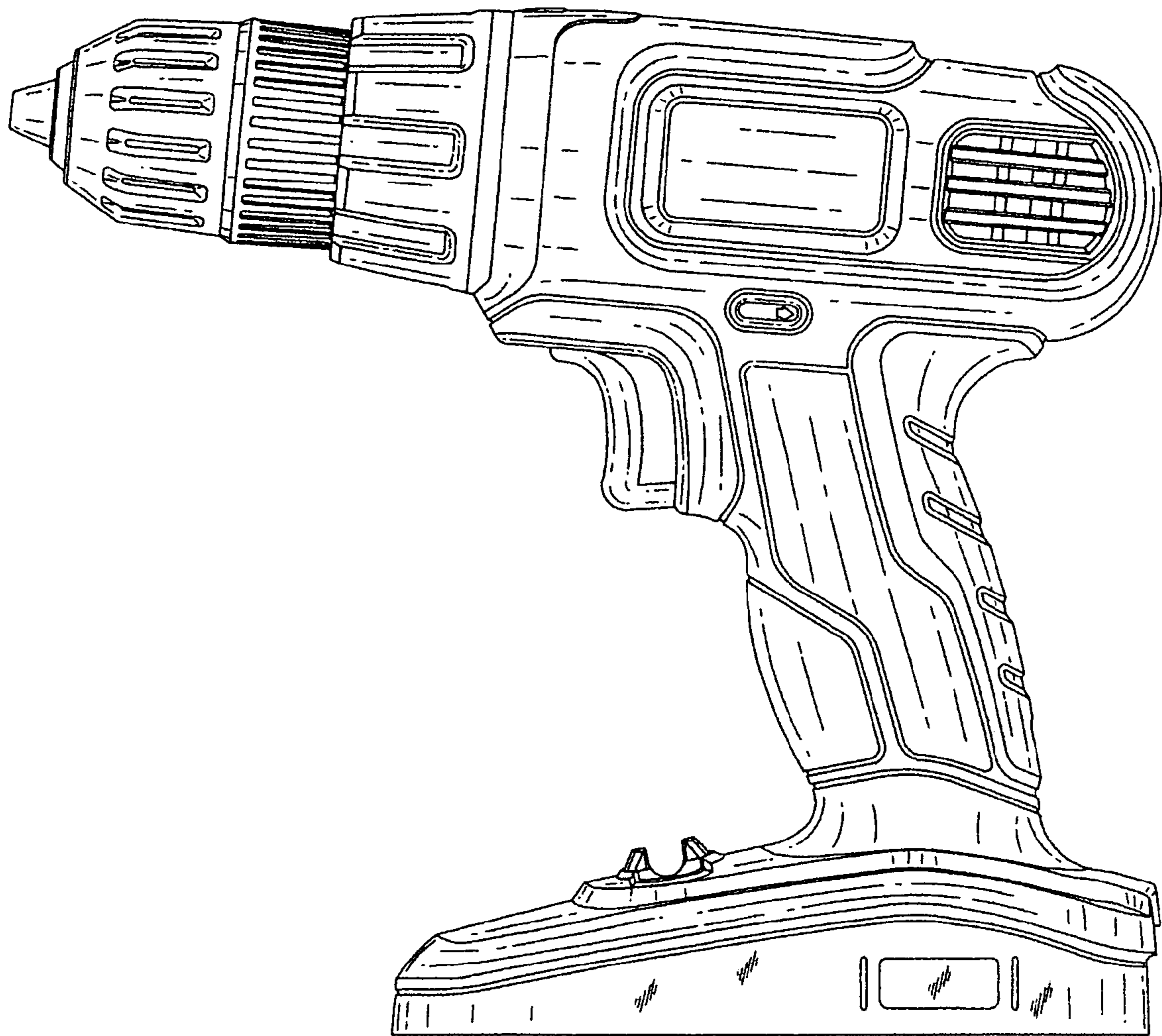


FIG.38

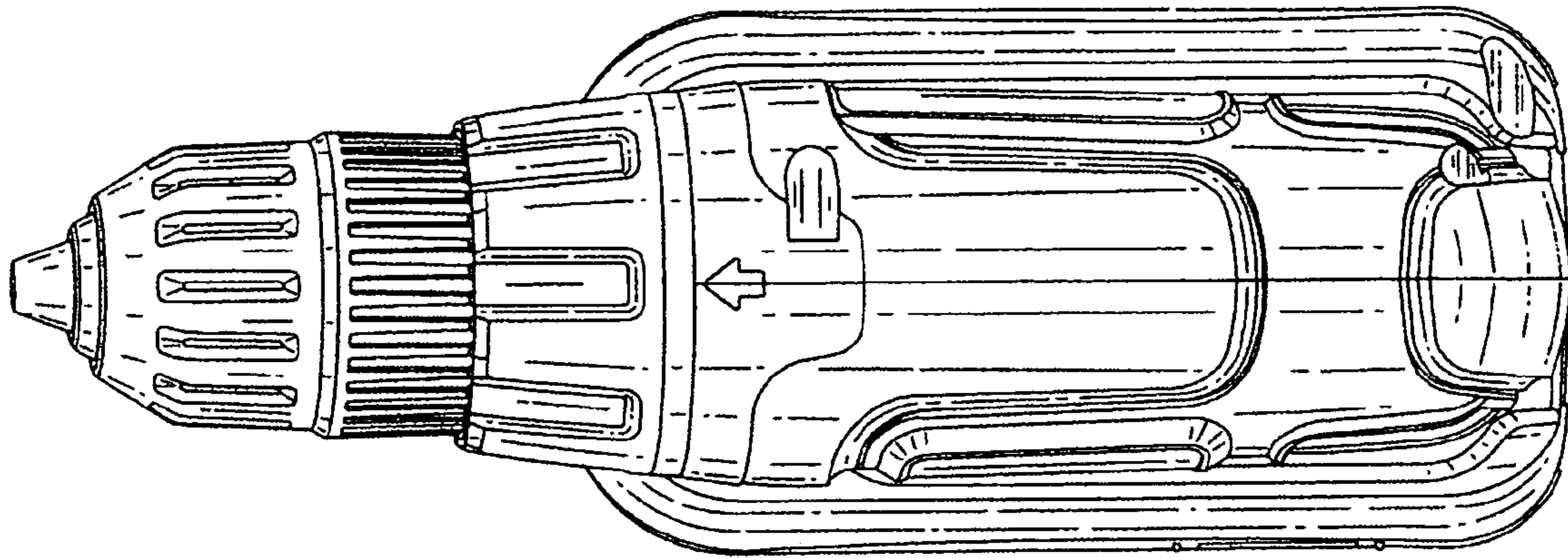


FIG.39

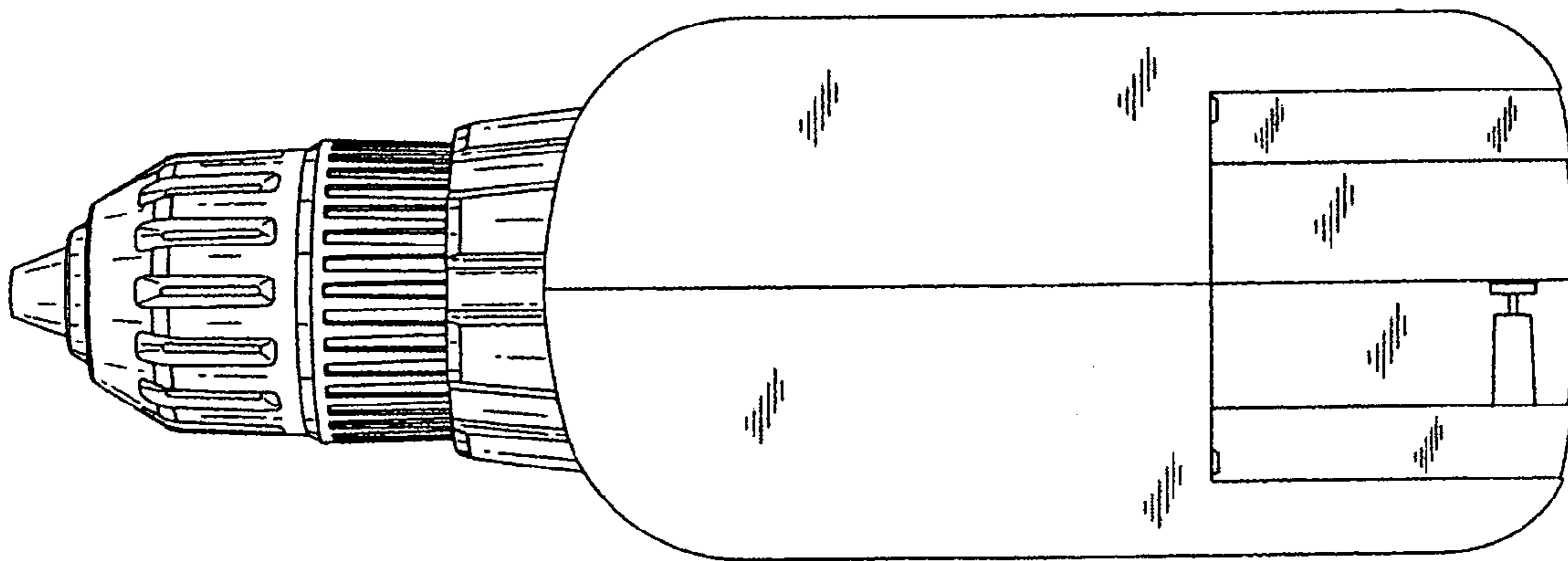


FIG.40

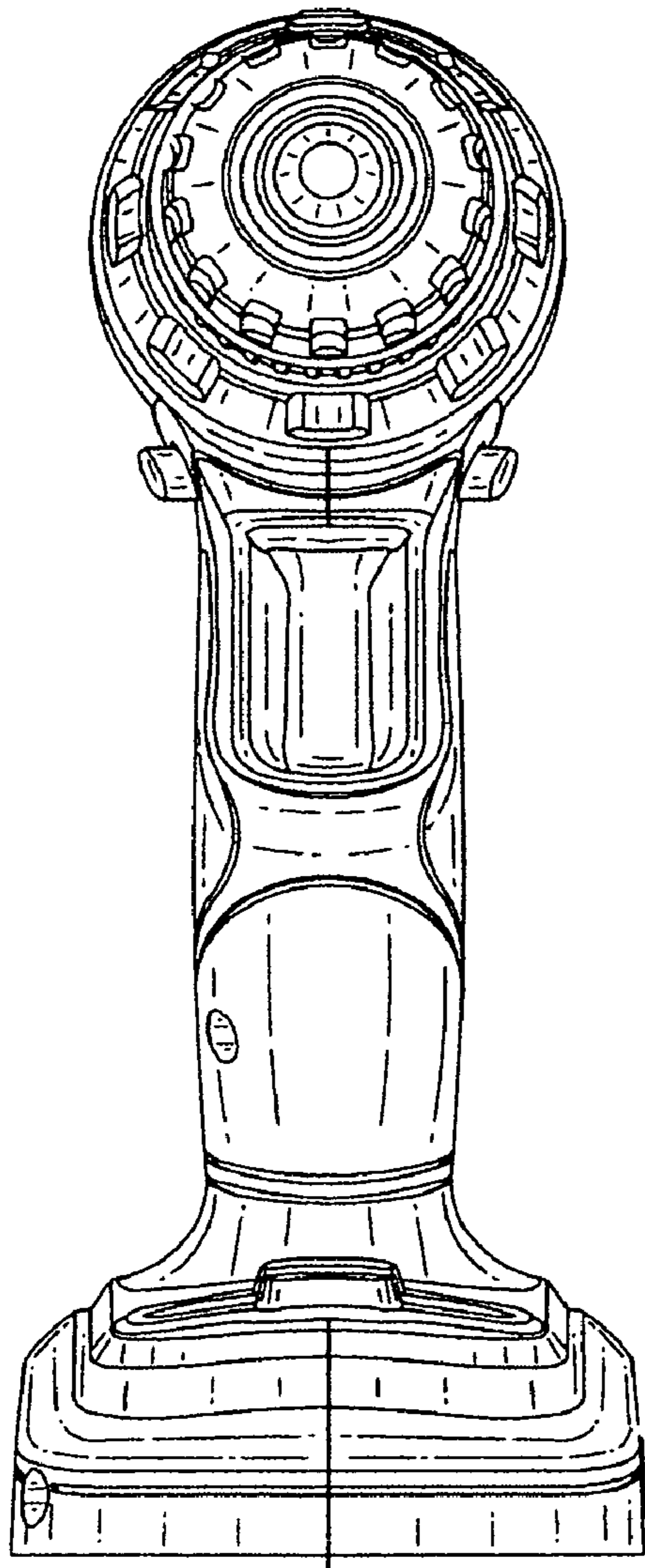


FIG. 41

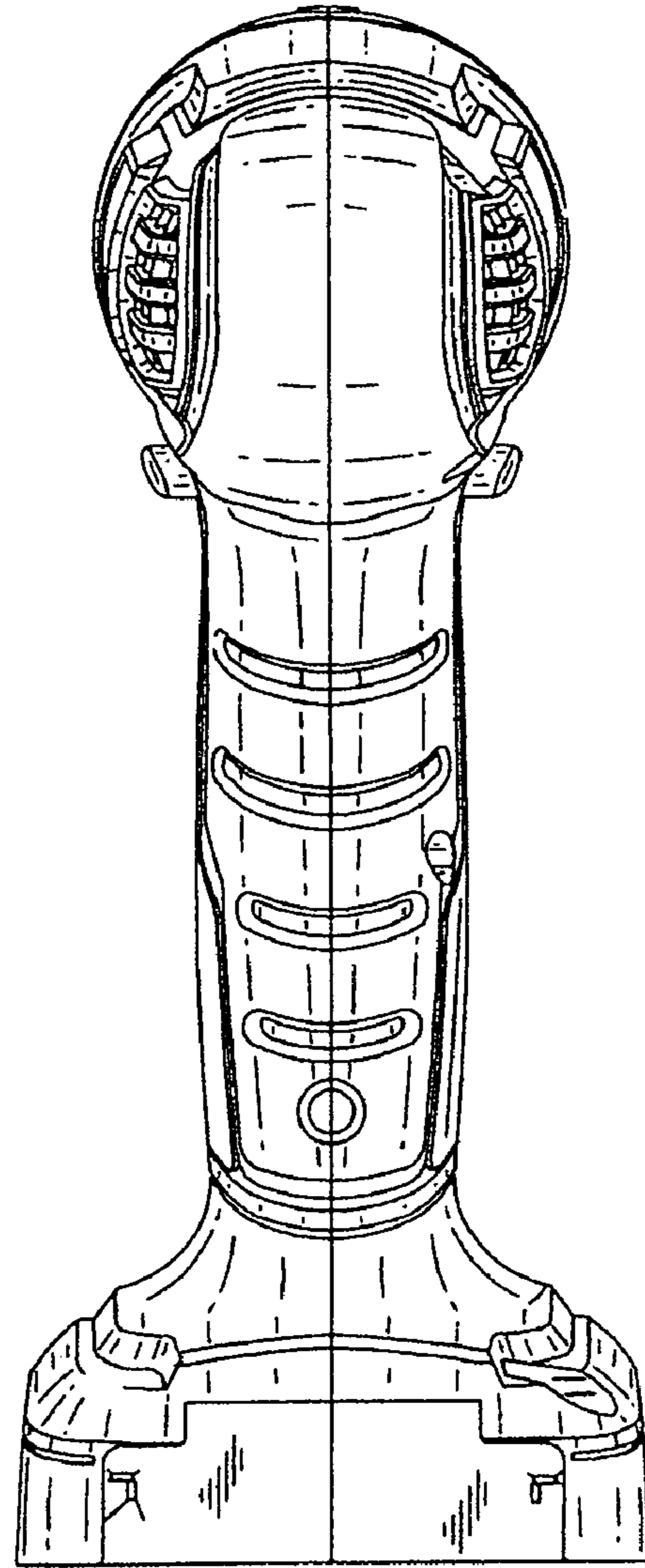


FIG. 42