



US00D599636S

(12) **United States Design Patent**
Cedar

(10) **Patent No.:** **US D599,636 S**

(45) **Date of Patent:** **** Sep. 8, 2009**

(54) **STAPLER**

(75) Inventor: **Jonathan Newman Cedar**, Scarsdale,
NY (US)

(73) Assignee: **Staples The Office Superstore, LLC**,
Framingham, MA (US)

(**) Term: **14 Years**

(21) Appl. No.: **29/327,301**

(22) Filed: **Nov. 4, 2008**

(51) **LOC (9) Cl.** **19-02**

(52) **U.S. Cl.** **D8/50; D8/49**

(58) **Field of Classification Search** D8/49,
D8/50, 61, 68, 69; D19/72, 73, 65, 69; D21/532;
D24/145; 7/158, 160; 227/4, 5, 6, 7, 8, 120,
227/127, 128, 131, 132, 134, 144, 156, 175.1;
606/139, 143, 153, 219

See application file for complete search history.

(56) **References Cited**

U.S. PATENT DOCUMENTS

679,598 A	7/1901	Brunner	
1,983,397 A	12/1934	Polzer	
2,088,404 A	7/1937	Bunnell	
2,089,572 A	8/1937	Polzer	
2,157,987 A	5/1939	Johnson	
2,174,219 A	9/1939	Balma	
2,438,712 A	3/1948	Lindstrom	
2,461,165 A	2/1949	Lindstrom	
2,493,640 A	4/1950	Peterson	
2,574,988 A	11/1951	Vogel	
2,580,505 A	1/1952	Balma	
2,619,637 A	12/1952	Boroughs	
2,633,571 A	4/1953	Boroughs	
3,103,012 A	9/1963	Kohen et al.	
3,289,456 A	12/1966	Baldwin	
3,368,731 A	2/1968	La Pointe	
4,180,197 A	12/1979	Raasch et al.	
4,288,019 A	9/1981	Dahle	
D268,088 S	3/1983	Bass	
D278,656 S *	4/1985	Green et al.	D24/145
4,623,084 A	11/1986	Olesen	
D287,630 S *	1/1987	Sharkany et al.	D24/145
4,705,202 A	11/1987	Olesen et al.	
4,984,729 A	1/1991	Balma	

D318,407 S	7/1991	Williams	
D320,147 S	9/1991	Mayo et al.	
5,335,838 A	8/1994	Harris et al.	
5,364,000 A	11/1994	Fealey	
5,704,533 A	1/1998	Chang	
D392,858 S	3/1998	Jacquet	
D429,453 S	8/2000	Imboden et al.	
D437,755 S	2/2001	Robillard	
D558,012 S	12/2007	Balma	
D567,043 S	4/2008	Marks et al.	
7,431,186 B2 *	10/2008	Hsu	227/120
D587,542 S *	3/2009	Miyagi	D8/50
2007/0187450 A1	8/2007	Chang	
2007/0187451 A1	8/2007	Chang	

FOREIGN PATENT DOCUMENTS

DE	9106427 U1	8/1991
GB	627917	8/1949
GB	660740	11/1951
GB	712021	7/1954
GB	732017	6/1955
GB	892449	3/1962

* cited by examiner

Primary Examiner—Cathron C Brooks

Assistant Examiner—Austin Murphy

(74) *Attorney, Agent, or Firm*—Wolf, Greenfield & Sacks,
P.C.

(57) **CLAIM**

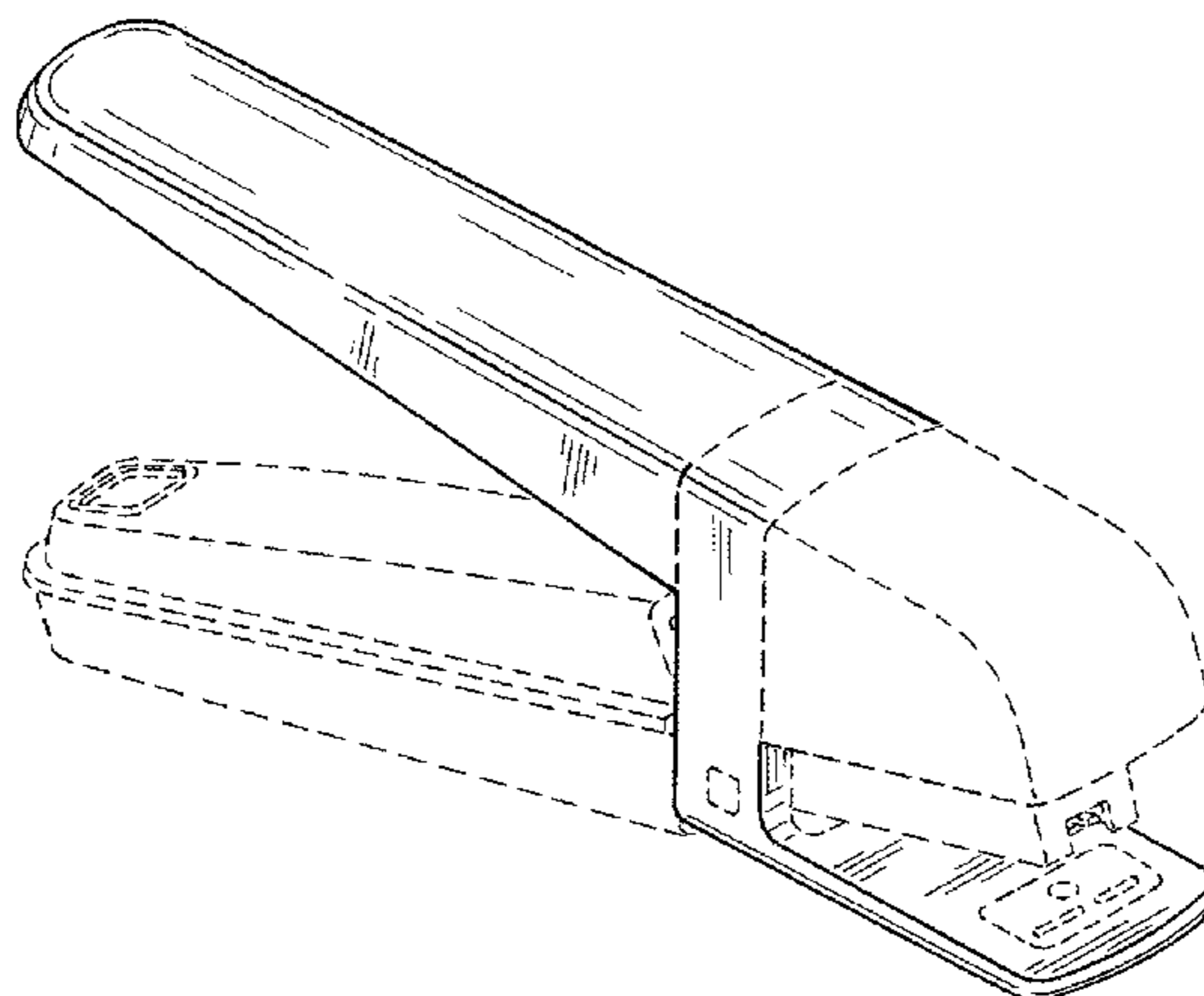
The ornamental design for a stapler, as shown and described.

DESCRIPTION

FIG. 1 is a top, front, left side perspective view of the stapler;
FIG. 2 is a left side elevational view thereof; the right side
elevational view is a mirror image thereof;
FIG. 3 is a front elevational view thereof;
FIG. 4 is a rear elevational view thereof;
FIG. 5 is a top plan view thereof; and,
FIG. 6 is a bottom plan view of thereof.

The broken lines in the figure drawings represent environ-
mental structure and form no part of the claimed design.

1 Claim, 2 Drawing Sheets



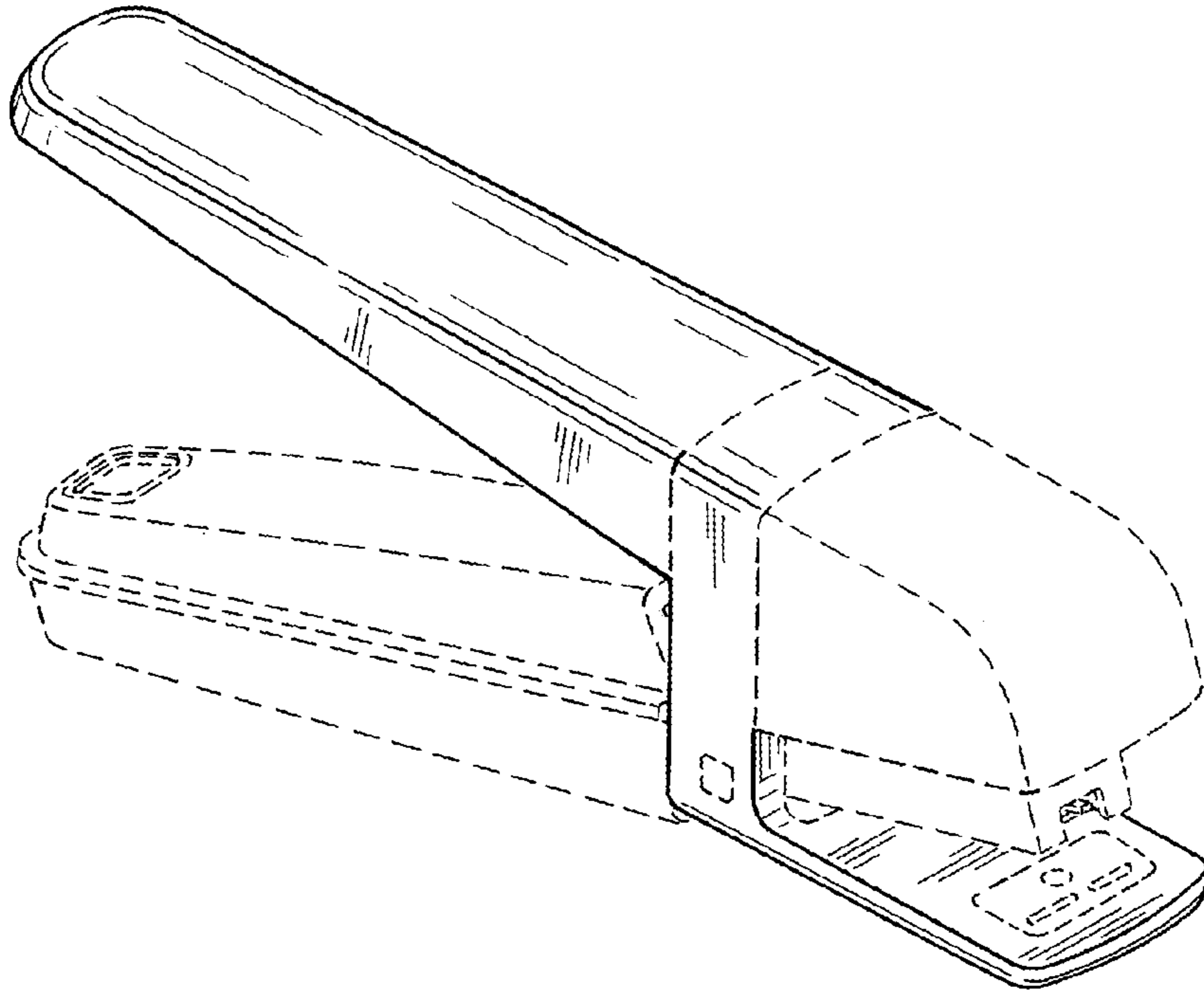


Fig. 1

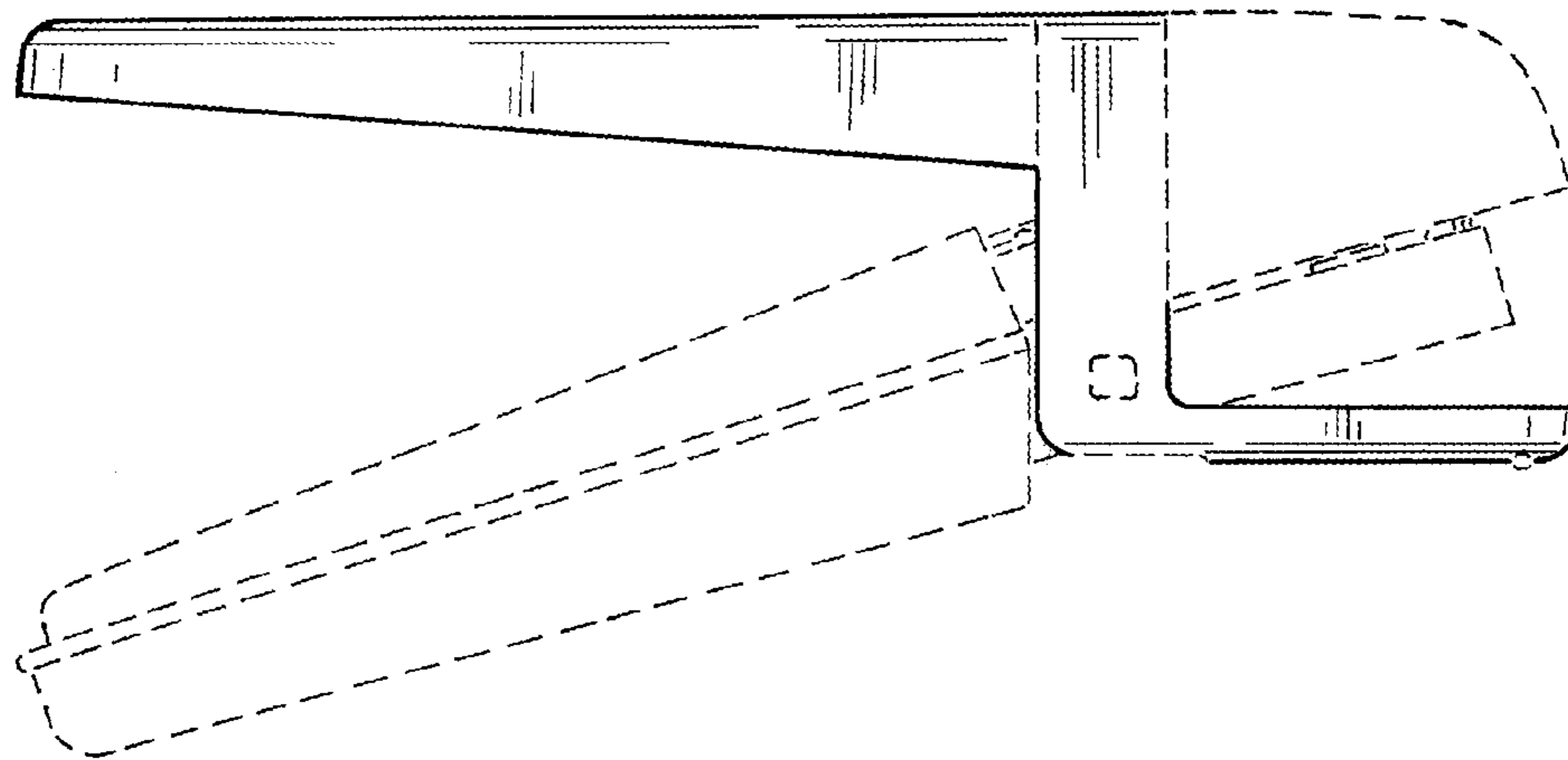


Fig. 2

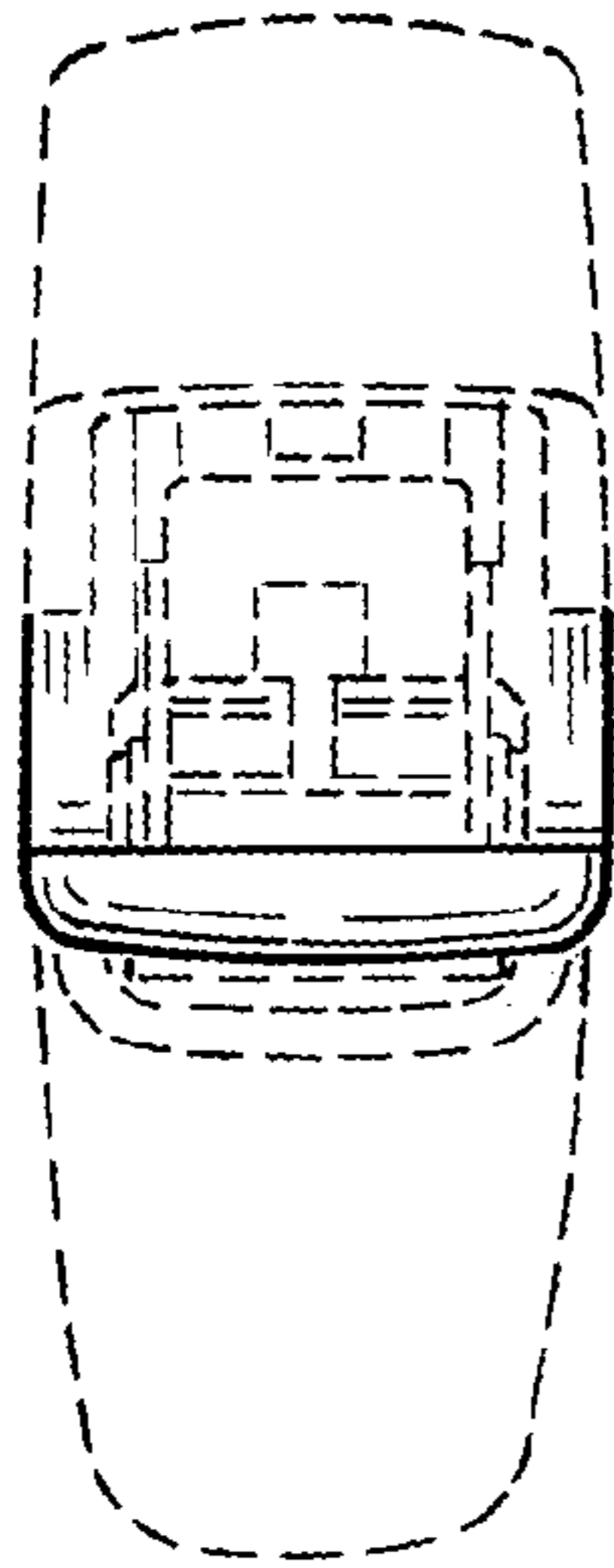


Fig. 3

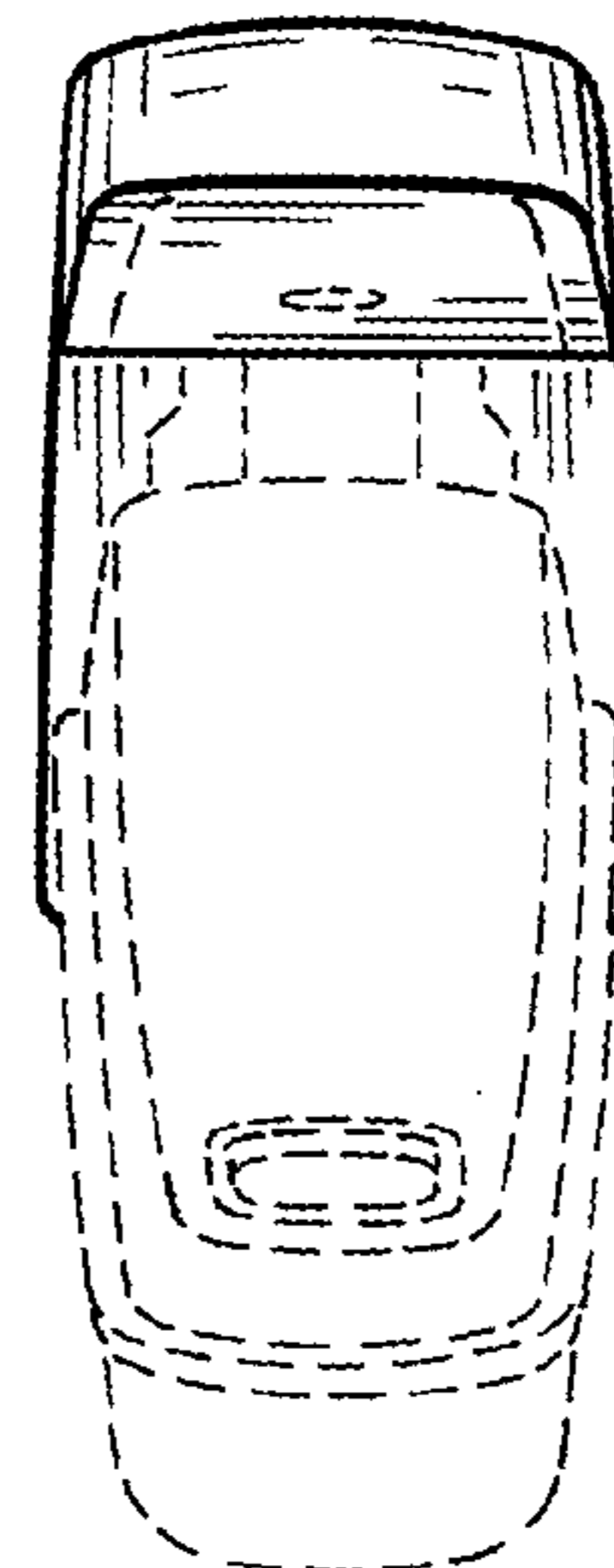


Fig. 4

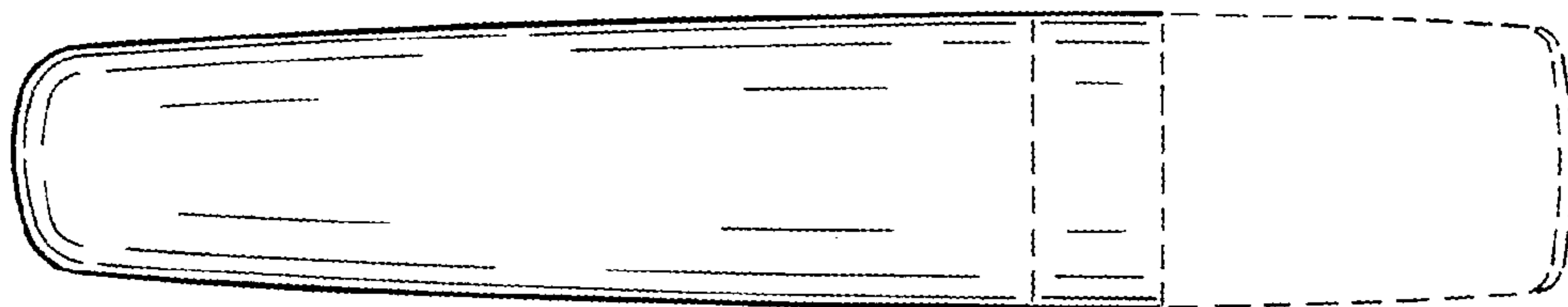


Fig. 5

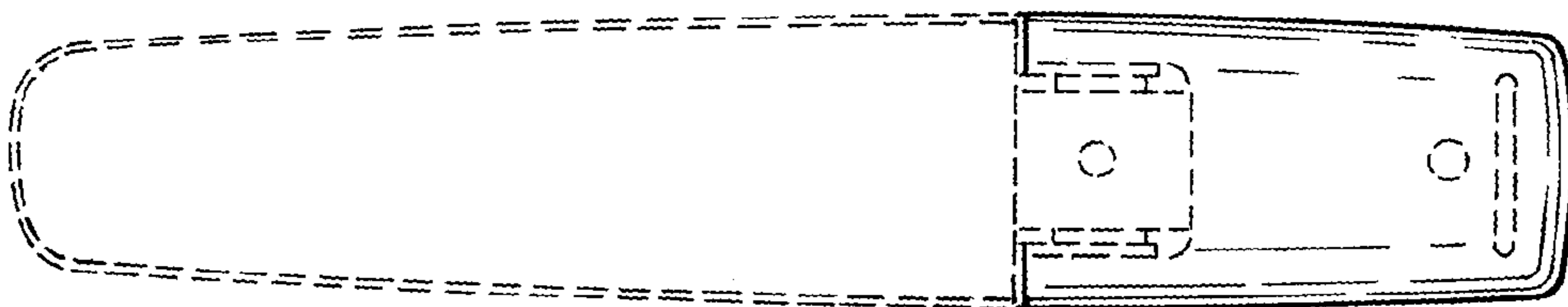


Fig. 6