



US00D599635S

(12) **United States Design Patent**
Hasegawa

(10) **Patent No.:** **US D599,635 S**

(45) **Date of Patent:** **** Sep. 8, 2009**

(54) **CORKSCREW**

(75) Inventor: **Katsumi Hasegawa, Seki (JP)**

(73) Assignee: **Kai R & D Center Co., Ltd., Gifu (JP)**

(**) Term: **14 Years**

(21) Appl. No.: **29/312,147**

(22) Filed: **Oct. 2, 2008**

(30) **Foreign Application Priority Data**

Apr. 14, 2008 (JP) 2008-009409

(51) **LOC (9) Cl.** **07-06**

(52) **U.S. Cl.** **D8/43; D8/33**

(58) **Field of Classification Search** D8/14,
D8/18, 33-43; 7/151-156; 81/3.07, 3.09,
81/3.2, 3.27, 3.29, 3.35, 3.37, 3.4, 3.45, 3.48,
81/3.49, 3.55

See application file for complete search history.

(56) **References Cited**

U.S. PATENT DOCUMENTS

455,826	A *	7/1891	Davis	7/155
5,363,725	A *	11/1994	Cellini	81/3.09
D374,801	S *	10/1996	Puig et al.	D8/42
D385,763	S *	11/1997	Trivellato	D8/43
D413,054	S *	8/1999	Anderson	D8/40
D413,499	S *	9/1999	Anderson et al.	D8/34
D416,773	S *	11/1999	Cellini	D8/42

6,289,768	B1 *	9/2001	Anderson et al.	81/3.09
7,272,992	B2 *	9/2007	Farfalli et al.	81/3.09
D576,003	S *	9/2008	Patrizio et al.	D8/40
2002/0157188	A1 *	10/2002	Sannajust	7/156
2003/0140733	A1 *	7/2003	Miguel	81/3.29

* cited by examiner

Primary Examiner—Joel Sincavage

Assistant Examiner—Garth Rademaker

(74) *Attorney, Agent, or Firm*—Jordan and Hamburg LLP

(57) **CLAIM**

The ornamental design for a corkscrew, as shown and described.

DESCRIPTION

FIG. 1 is a front elevational view of a corkscrew showing my new design;

FIG. 2 is a top plan view thereof;

FIG. 3 is a top plan view thereof;

FIG. 4 is a bottom plan view thereof;

FIG. 5 is a left side elevational view thereof;

FIG. 6 is a right side elevational view thereof; and,

FIG. 7 is a front elevational view thereof showing the corkscrew in a closed state.

The broken lines depict environmental subject matter only and form no part of the claimed design.

1 Claim, 4 Drawing Sheets

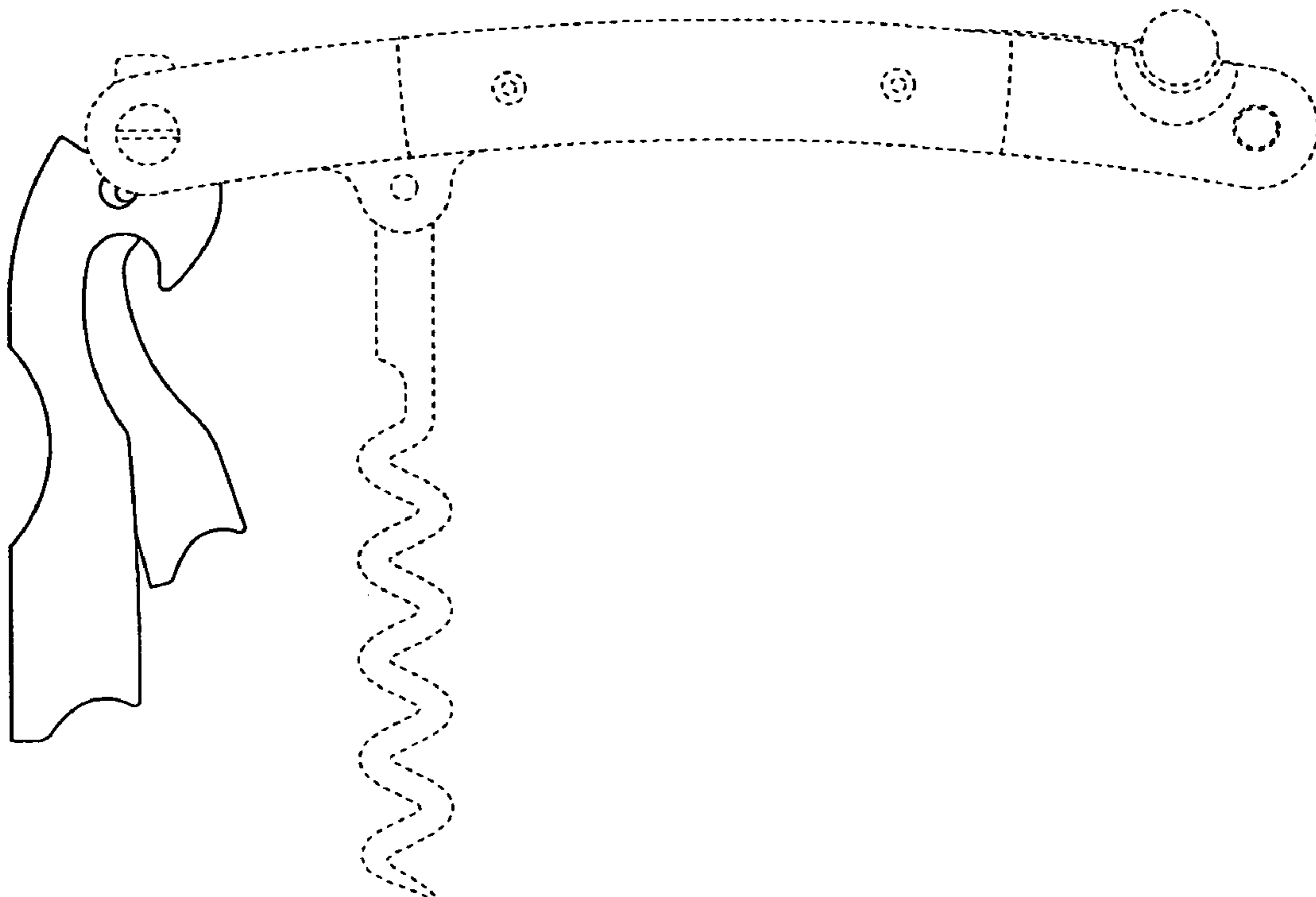


Fig 1

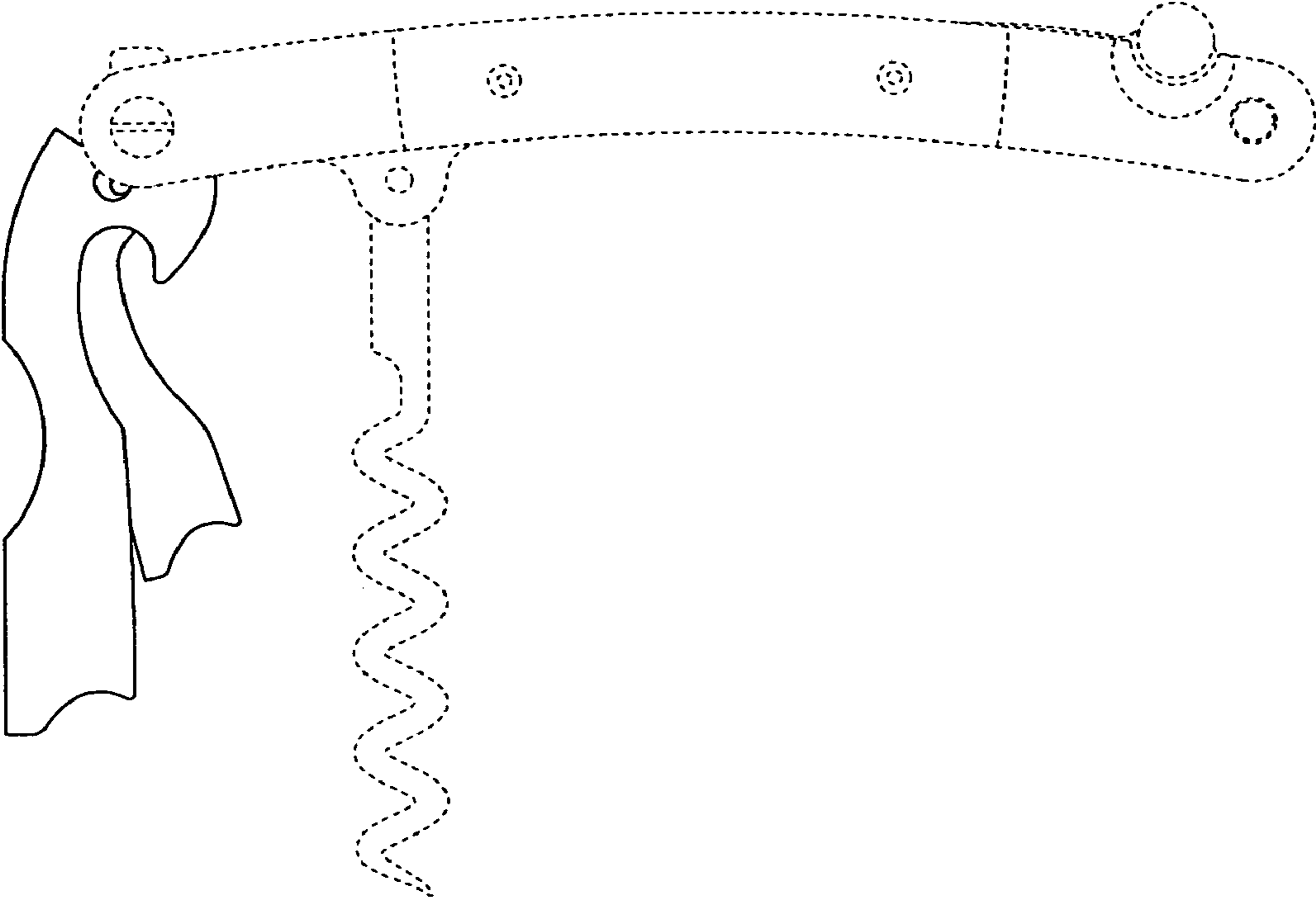


Fig 2

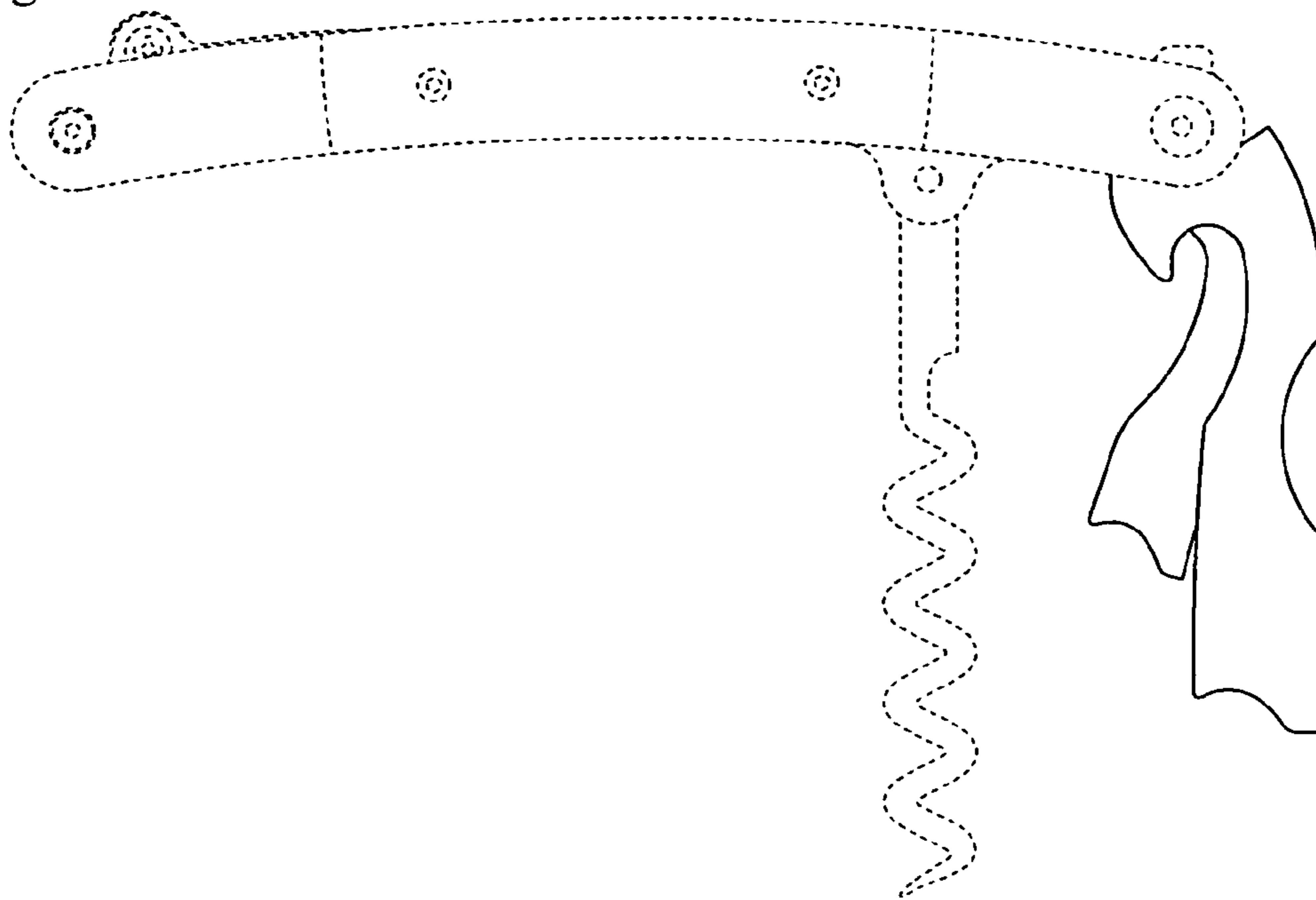


Fig 3

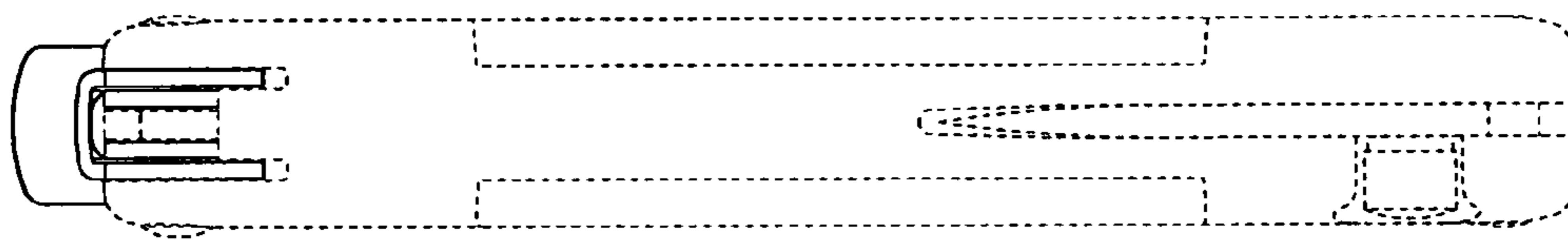


Fig 4

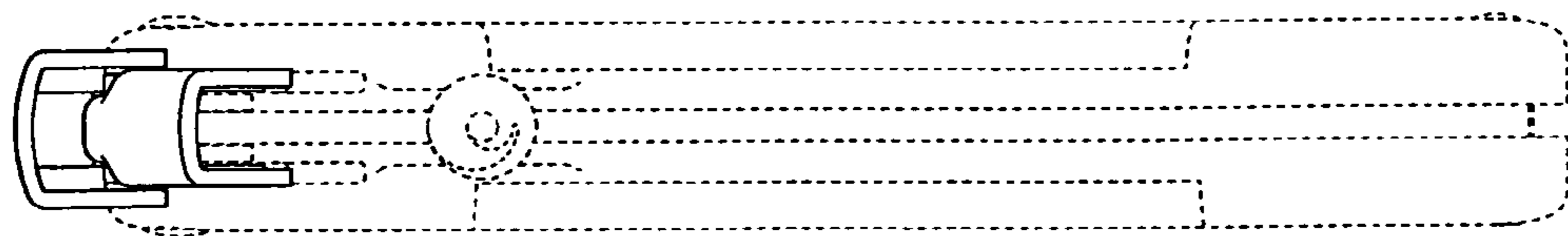


Fig 5

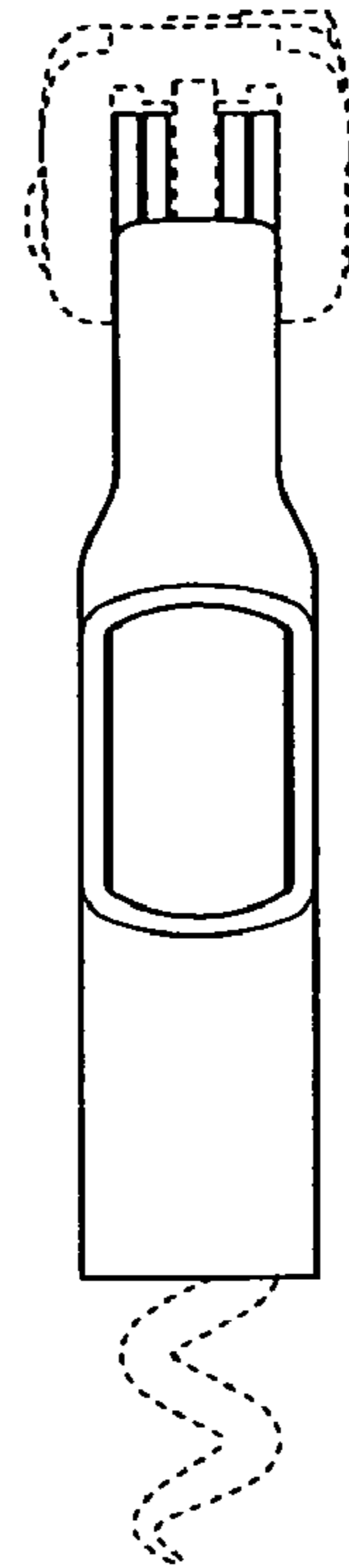


Fig 6

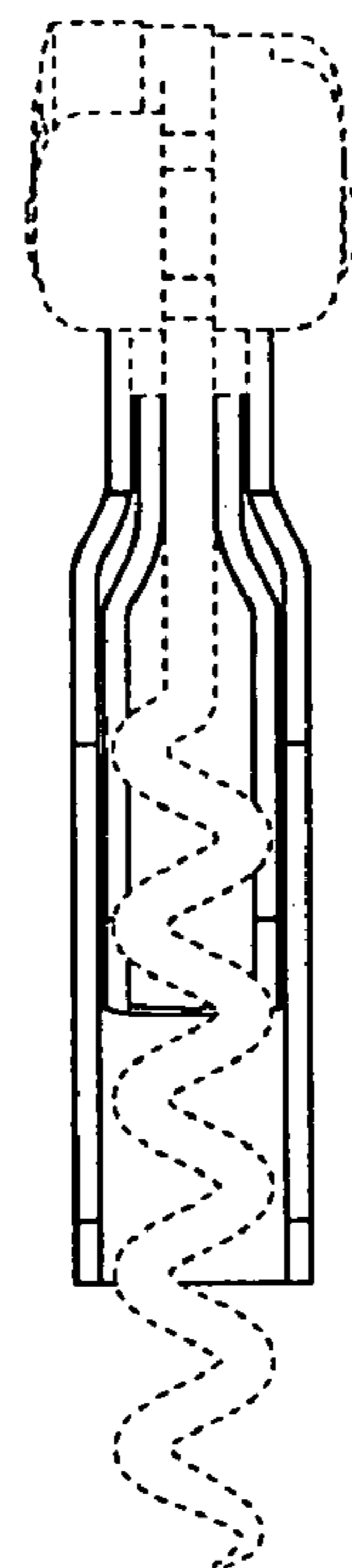


Fig 7

