



US00D599633S

(12) **United States Design Patent**
Renfro

(10) **Patent No.:** **US D599,633 S**

(45) **Date of Patent:** **** Sep. 8, 2009**

(54) **LAWN AND GARDEN TOOL**

(76) **Inventor:** **Douglas W. Renfro**, 448 Hillvale Turn
East, Knoxville, TN (US) 37919

(**) **Term:** **14 Years**

(21) **Appl. No.:** **29/326,151**

(22) **Filed:** **Oct. 13, 2008**

(51) **LOC (9) Cl.** **08-01**

(52) **U.S. Cl.** **D8/13**

(58) **Field of Classification Search** D8/13,
D8/6, 11; 56/400.1, 400.5–400.6, 400.12–400.15,
56/400.21

See application file for complete search history.

(56) **References Cited**

U.S. PATENT DOCUMENTS

834,914	A *	11/1906	Kruse	56/400.14
871,339	A *	11/1907	Horn	56/400.07
4,219,994	A *	9/1980	Ciscon	56/400.14
D311,309	S *	10/1990	McCoy	D8/13
5,069,026	A	12/1991	Johnson		
5,235,799	A *	8/1993	Quesnelle et al.	56/400.04
D353,980	S *	1/1995	Johnson	D8/13
D385,161	S *	10/1997	Grinde	D8/13
D391,813	S *	3/1998	Johnson	D8/13
D543,427	S *	5/2007	Willison	D8/13
D592,023	S *	5/2009	Herrle	D8/13

* cited by examiner

Primary Examiner—Holly H Baynham

Assistant Examiner—Sheryl Lane

(74) *Attorney, Agent, or Firm*—Luedeka, Neely & Graham,
PC

(57) **CLAIM**

The ornamental design of a lawn and garden tool, as shown
and described.

DESCRIPTION

FIG. 1 is a perspective view illustrating features of a first
embodiment of my design for a lawn and garden tool;

FIG. 2 is a frontal view further illustrating features of the first
embodiment of my design for the lawn and garden tool shown
in FIG. 1;

FIG. 3 is a rear view further illustrating features of the first
embodiment of my design for the lawn and garden tool shown
in FIG. 1;

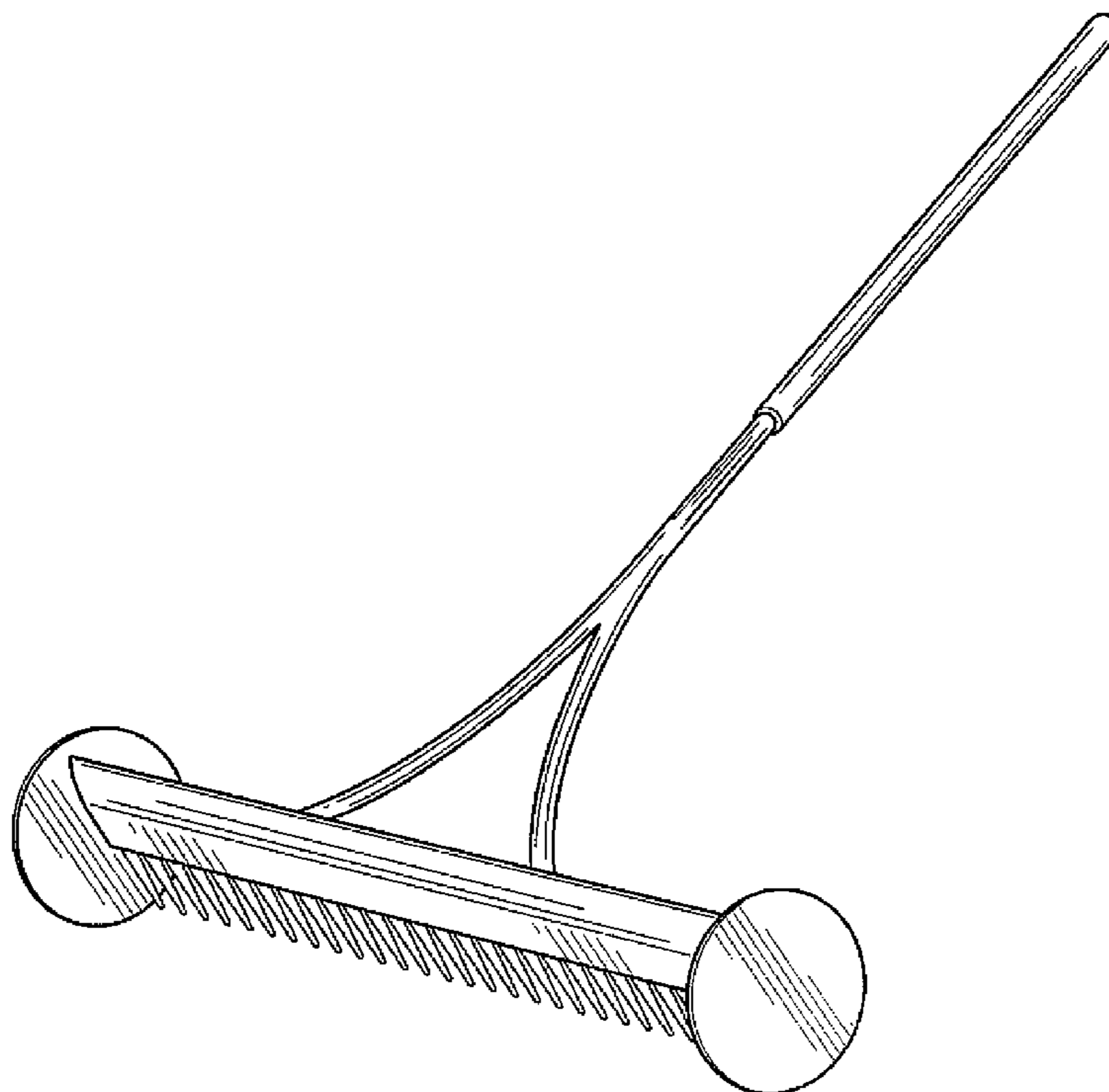
FIG. 4 is a top view further illustrating features of the first
embodiment of my design for the lawn and garden tool shown
in FIG. 1;

FIG. 5 is a bottom view further illustrating features of the first
embodiment of my design for the lawn and garden tool shown
in FIG. 1;

FIG. 6 is a side view further illustrating features of the first
embodiment of my design for the lawn and garden tool shown
in FIG. 1; and,

FIG. 7 is a perspective view illustrating features of a second
embodiment of my design for a lawn and garden tool.

1 Claim, 7 Drawing Sheets



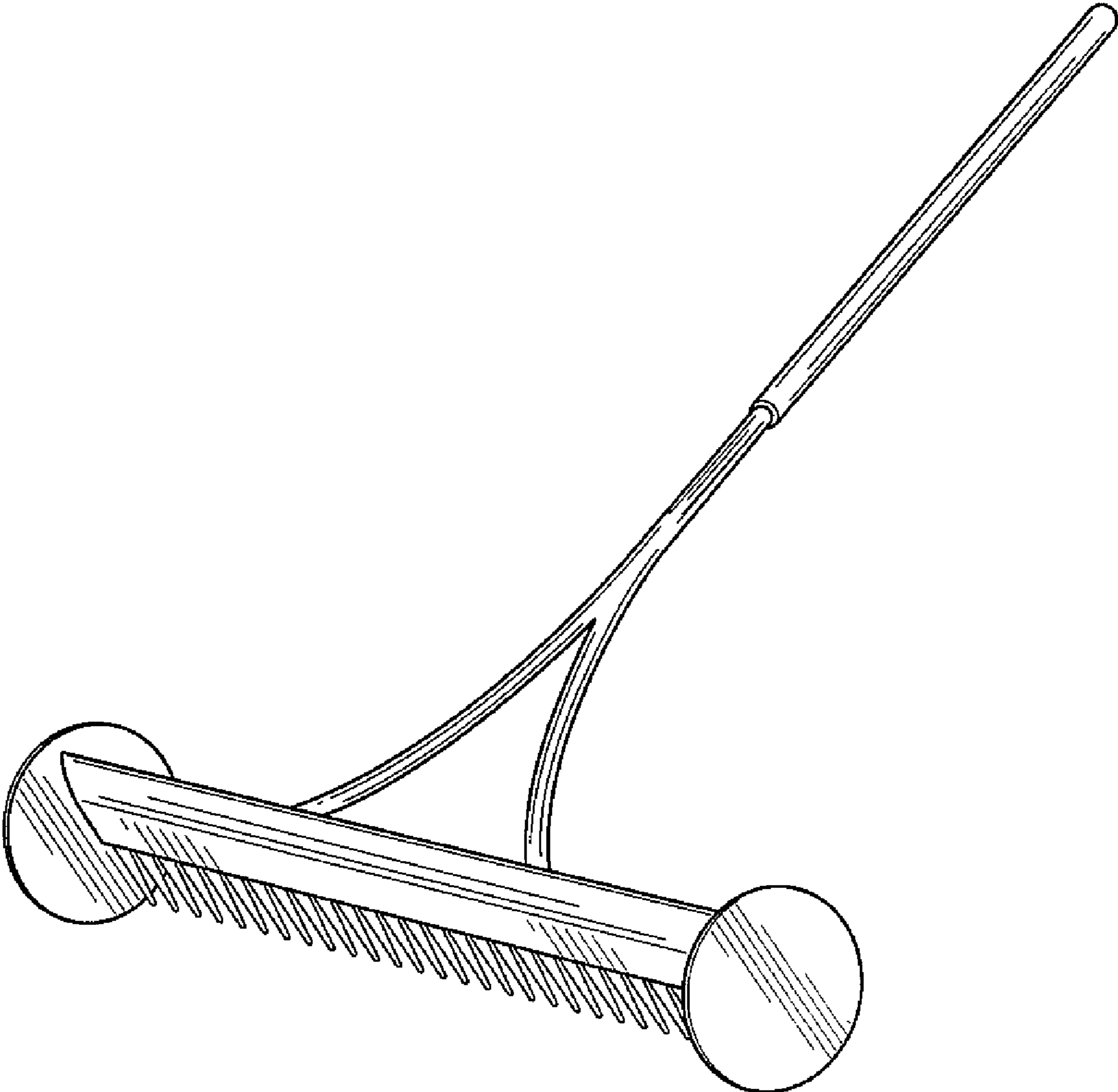


FIG. 1

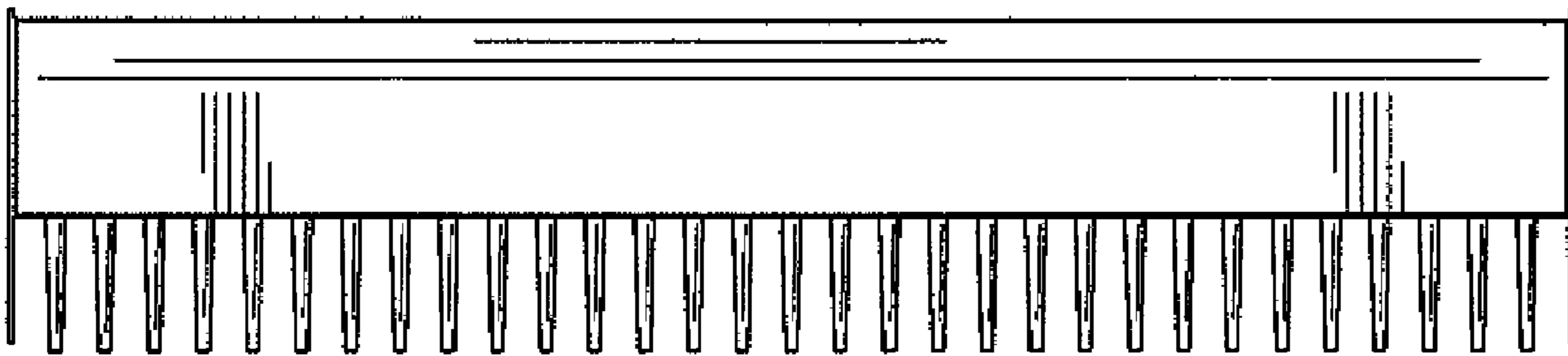


FIG. 2

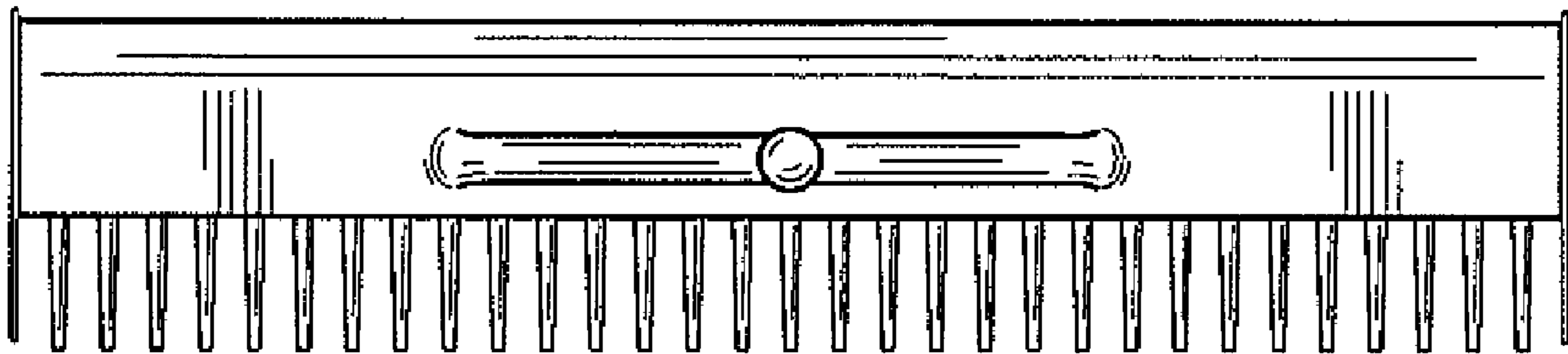


FIG. 3

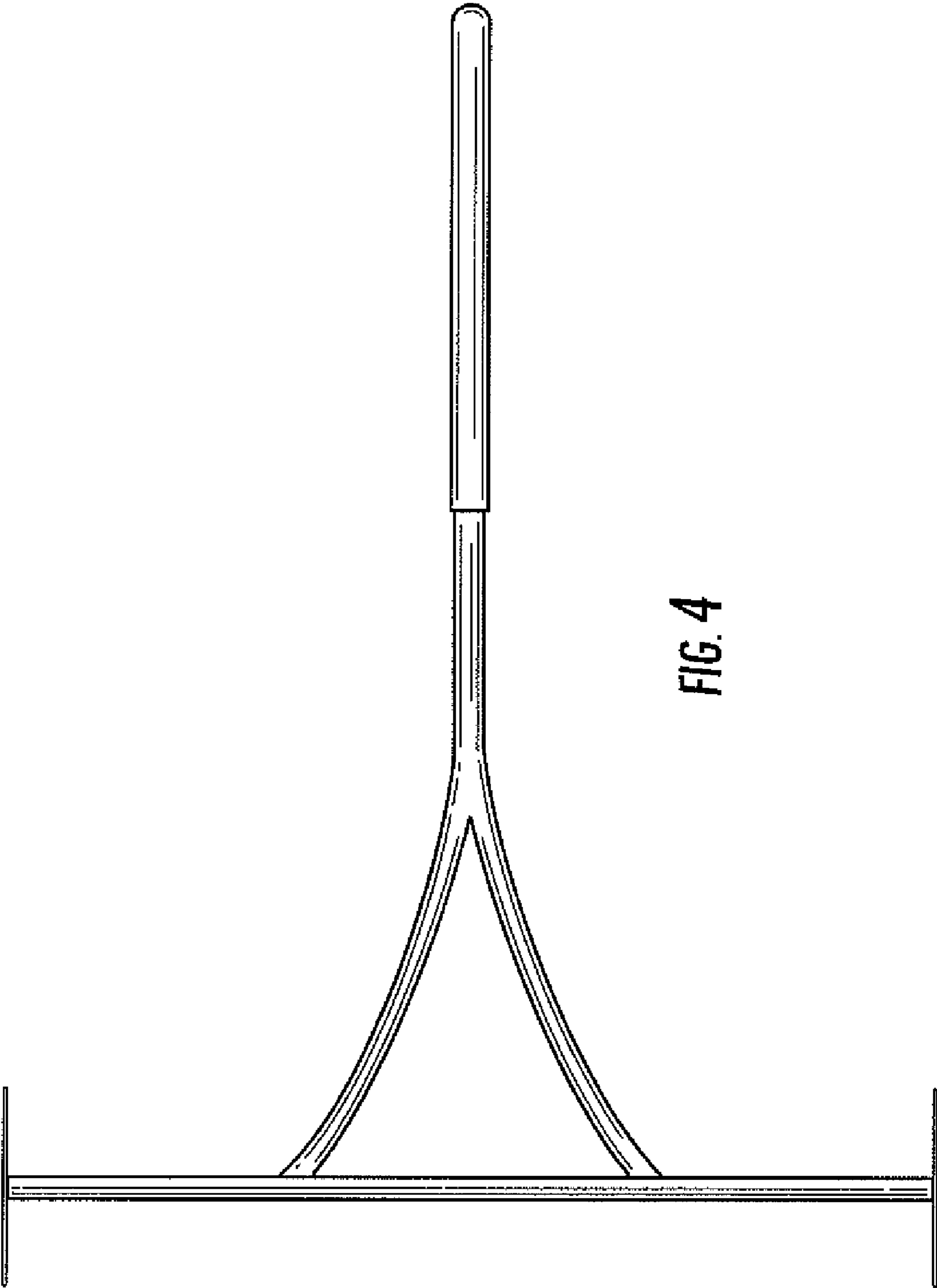


FIG. 4

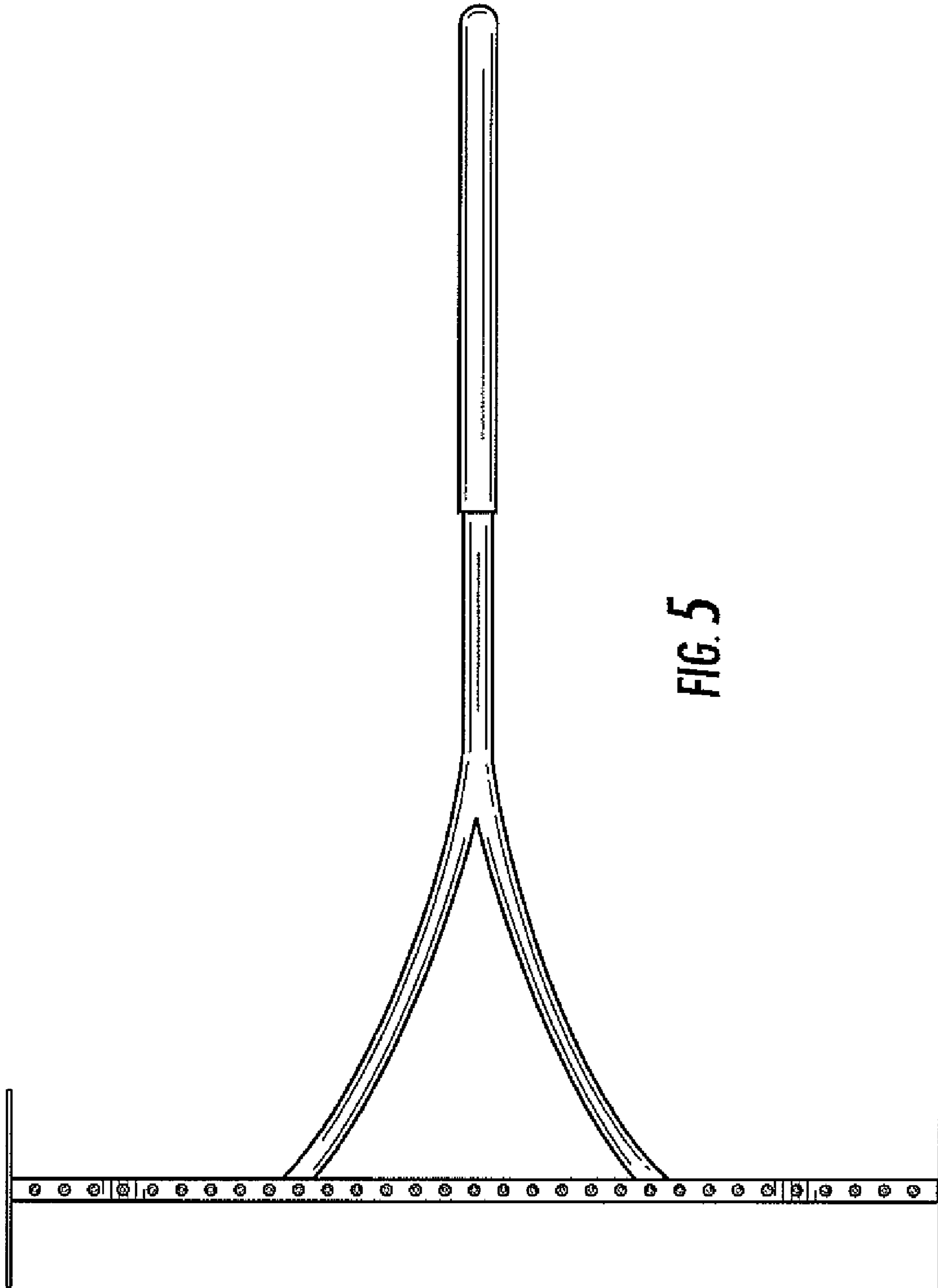


FIG. 5

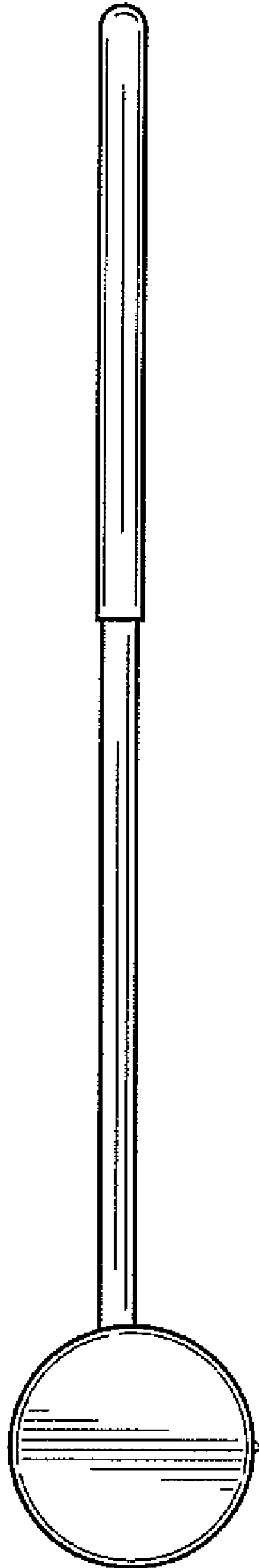


FIG. 6

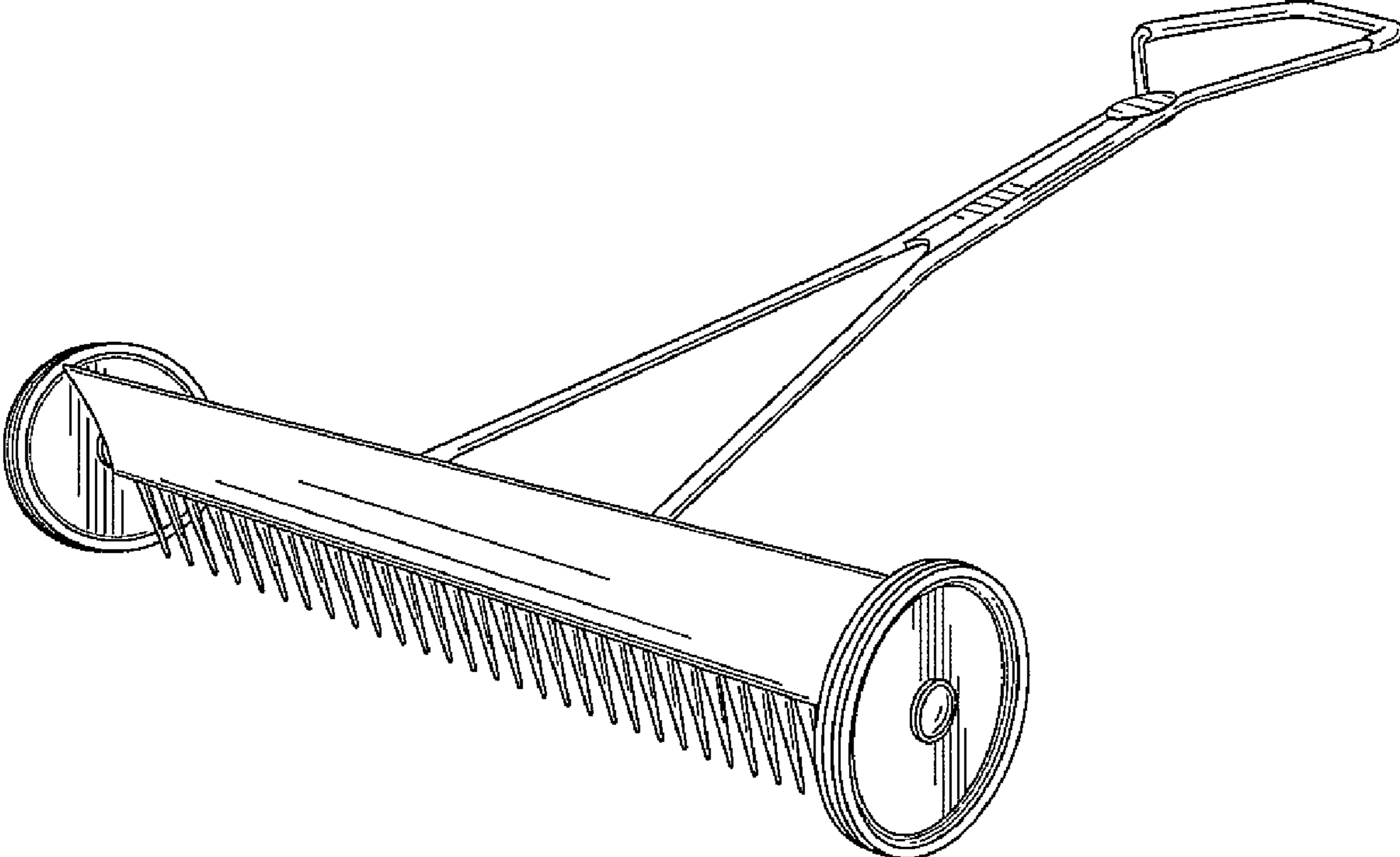


FIG. 7