



US00D599632S

(12) **United States Design Patent**
Bradford

(10) **Patent No.:** **US D599,632 S**
(45) **Date of Patent:** **** Sep. 8, 2009**

(54) **TWO-PIECE VEGETATION TRIMMER GUARD**

(75) Inventor: **Scott Bradford**, Howden Le Wear (GB)

(73) Assignee: **Black & Decker Inc.**, Newark, DE (US)

(**) Term: **14 Years**

(21) Appl. No.: **29/308,037**

(22) Filed: **May 23, 2008**

(30) **Foreign Application Priority Data**

Nov. 29, 2007 (EM) 000834296

(51) **LOC (9) Cl.** **08-01**

(52) **U.S. Cl.** **D8/8**

(58) **Field of Classification Search** D8/8;

56/12.7; 30/276, 347

See application file for complete search history.

(56) **References Cited**

U.S. PATENT DOCUMENTS

D382,779 S * 8/1997 Meisner et al. D8/8

D382,780 S * 8/1997 Meisner et al. D8/8

D463,230 S * 9/2002 Robson D8/8

D463,231 S * 9/2002 Robson D8/8

D584,581 S * 1/2009 Bradford D8/8

* cited by examiner

Primary Examiner—Holly H Baynham

Assistant Examiner—Sheryl Lane

(74) *Attorney, Agent, or Firm*—John Yun; Bruce S. Shapiro; Wesley Muller

(57) **CLAIM**

The ornamental design for a two-piece vegetation trimmer guard, as shown and described.

DESCRIPTION

FIG. 1 is a perspective view of a first piece of a two-piece vegetation trimmer guard showing my new design.

FIG. 2 is a right side view of the first piece of the two-piece vegetation trimmer guard according to FIG. 1.

FIG. 3 is a left side view of the first piece of the two-piece vegetation trimmer guard according to FIG. 1.

FIG. 4 is a rear view of the first piece of the two-piece vegetation trimmer guard according to FIG. 1.

FIG. 5 is a front view of the first piece of the two-piece vegetation trimmer guard according to FIG. 1.

FIG. 6 is a top perspective view of the first piece of the two-piece vegetation trimmer guard according to FIG. 1.

FIG. 7 is a bottom perspective view of the first piece of the two-piece vegetation trimmer guard according to FIG. 1.

FIG. 8 is a perspective view of a second piece of a two-piece vegetation trimmer guard showing my new design.

FIG. 9 is a right side view of the second piece of the two-piece vegetation trimmer according to FIG. 8.

FIG. 10 is a left side view of the second piece of the two-piece vegetation trimmer guard according to FIG. 8.

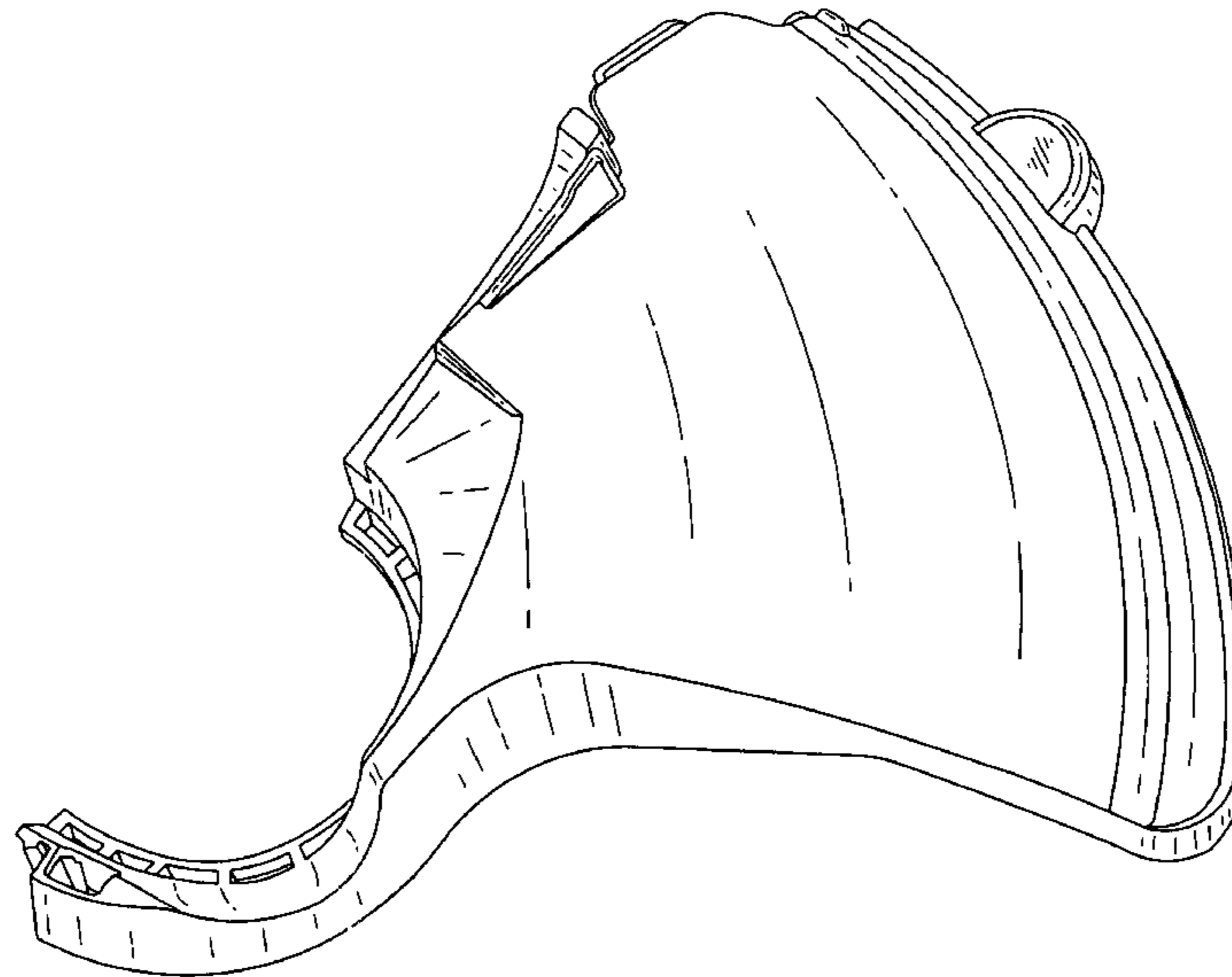
FIG. 11 is a rear view of the second piece of the two-piece vegetation trimmer guard according to FIG. 8.

FIG. 12 is a front view of the second piece of the two-piece vegetation trimmer guard according to FIG. 8.

FIG. 13 is a top perspective view of the second piece of the two-piece vegetation trimmer guard according to FIG. 8; and,

FIG. 14 is a bottom perspective view of the second piece of the two-piece vegetation trimmer guard according to FIG. 8.

1 Claim, 10 Drawing Sheets



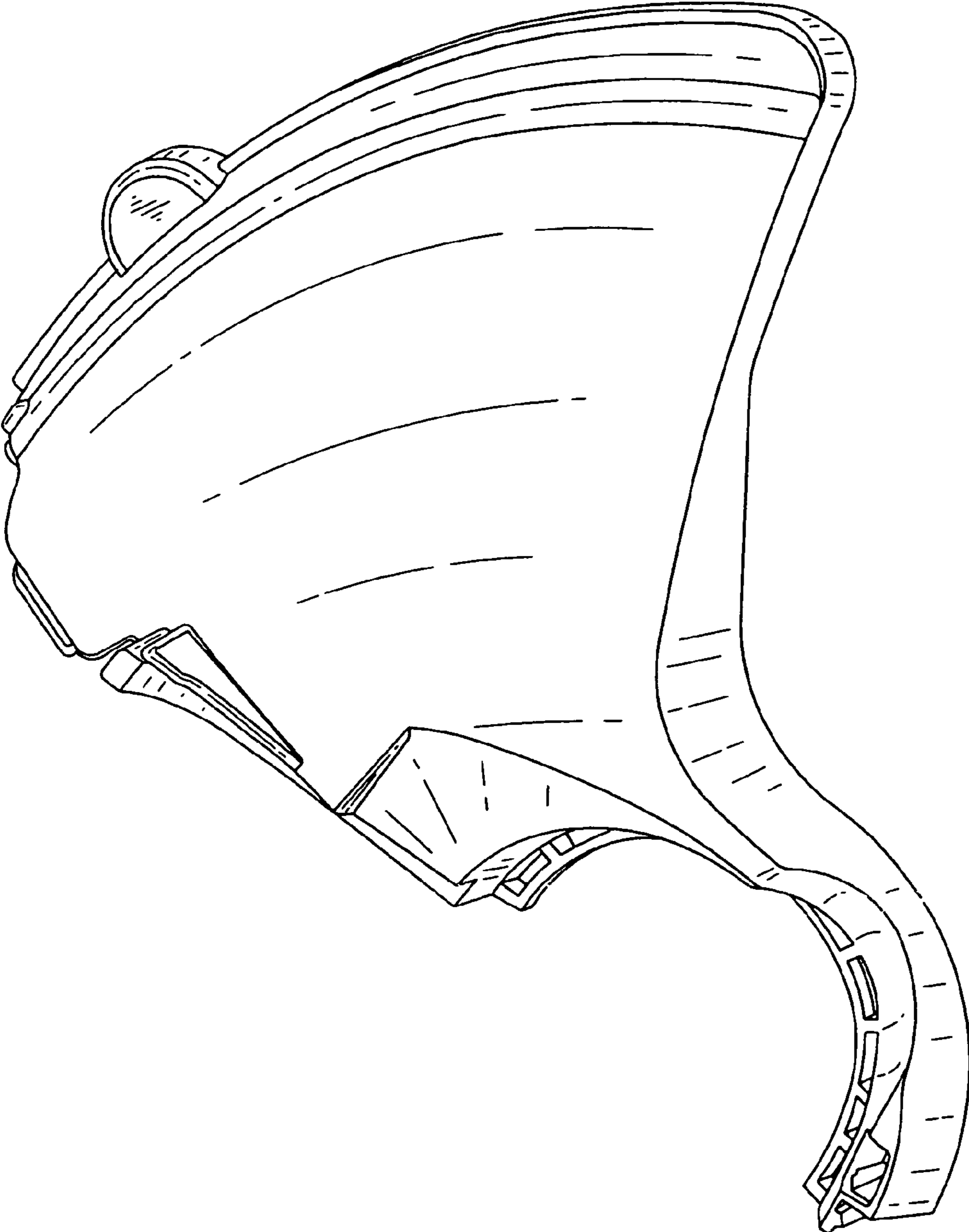


FIG.1

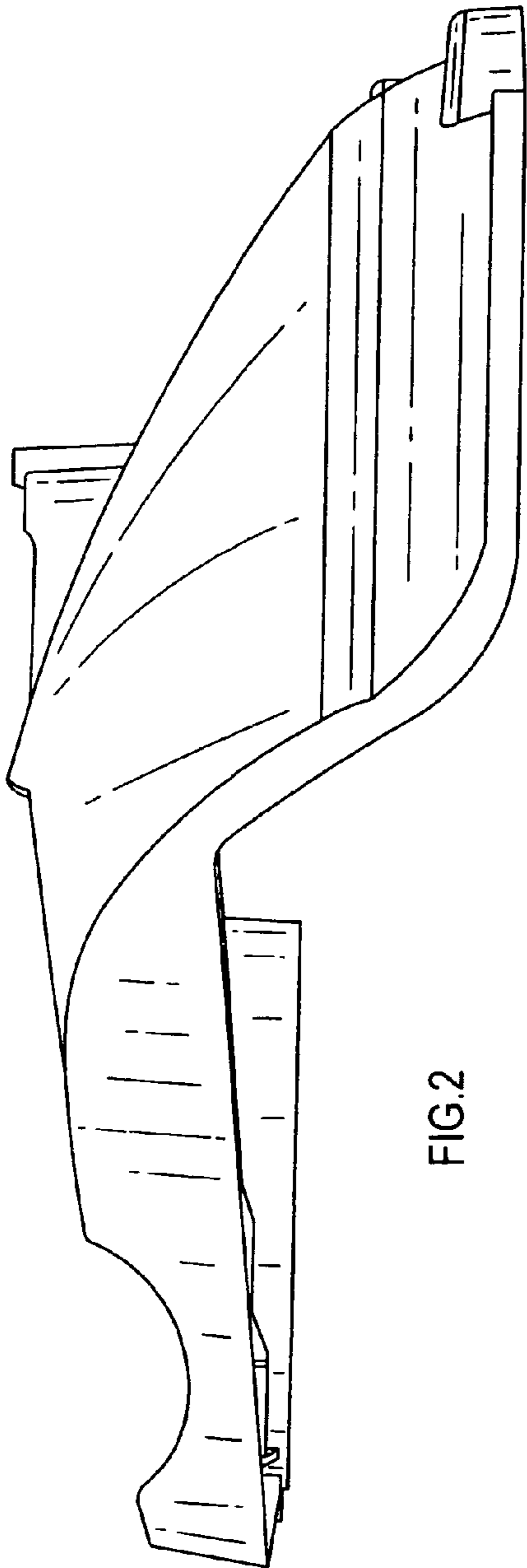


FIG. 2

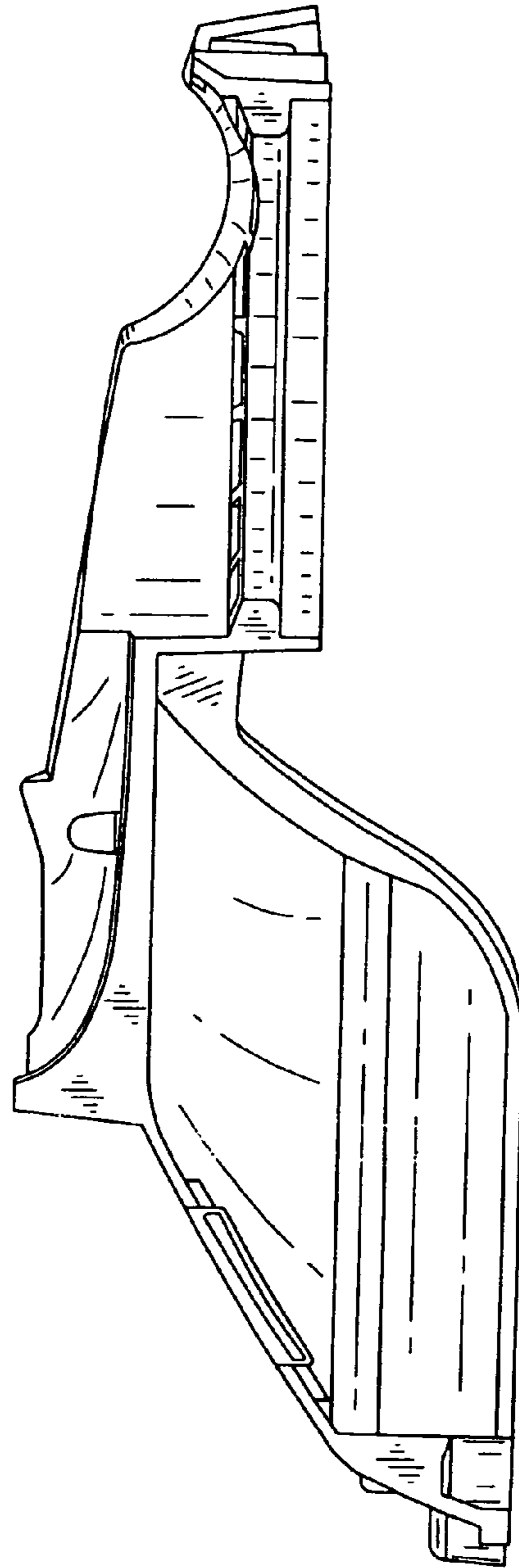


FIG. 3

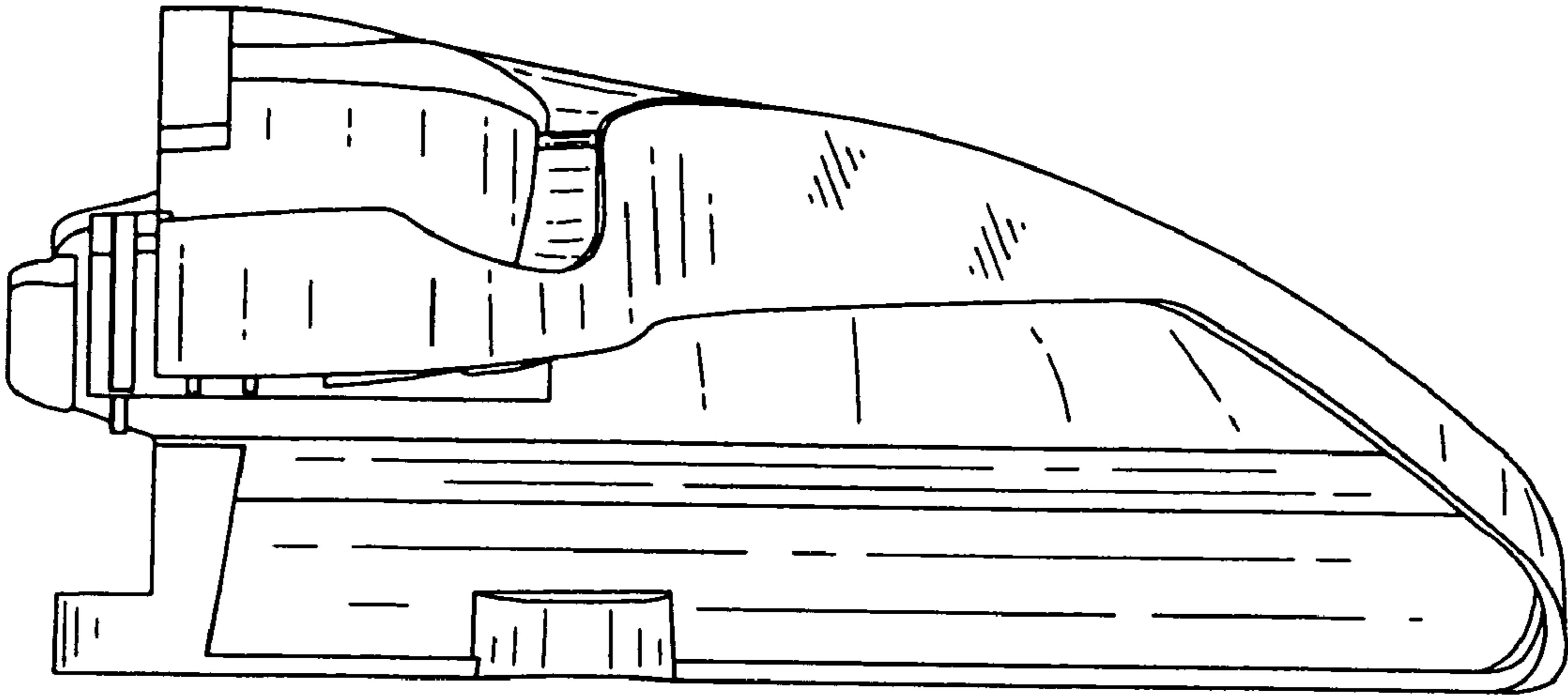


FIG.4

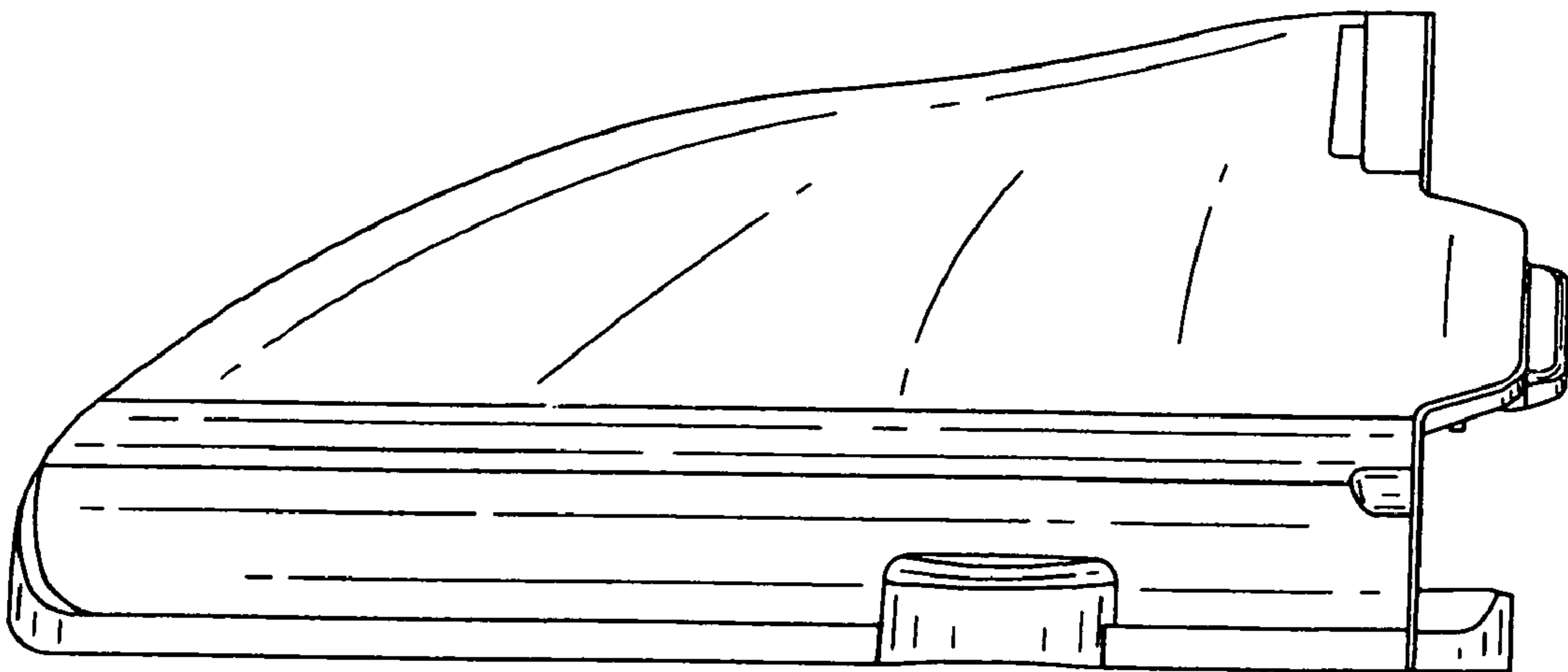


FIG.5

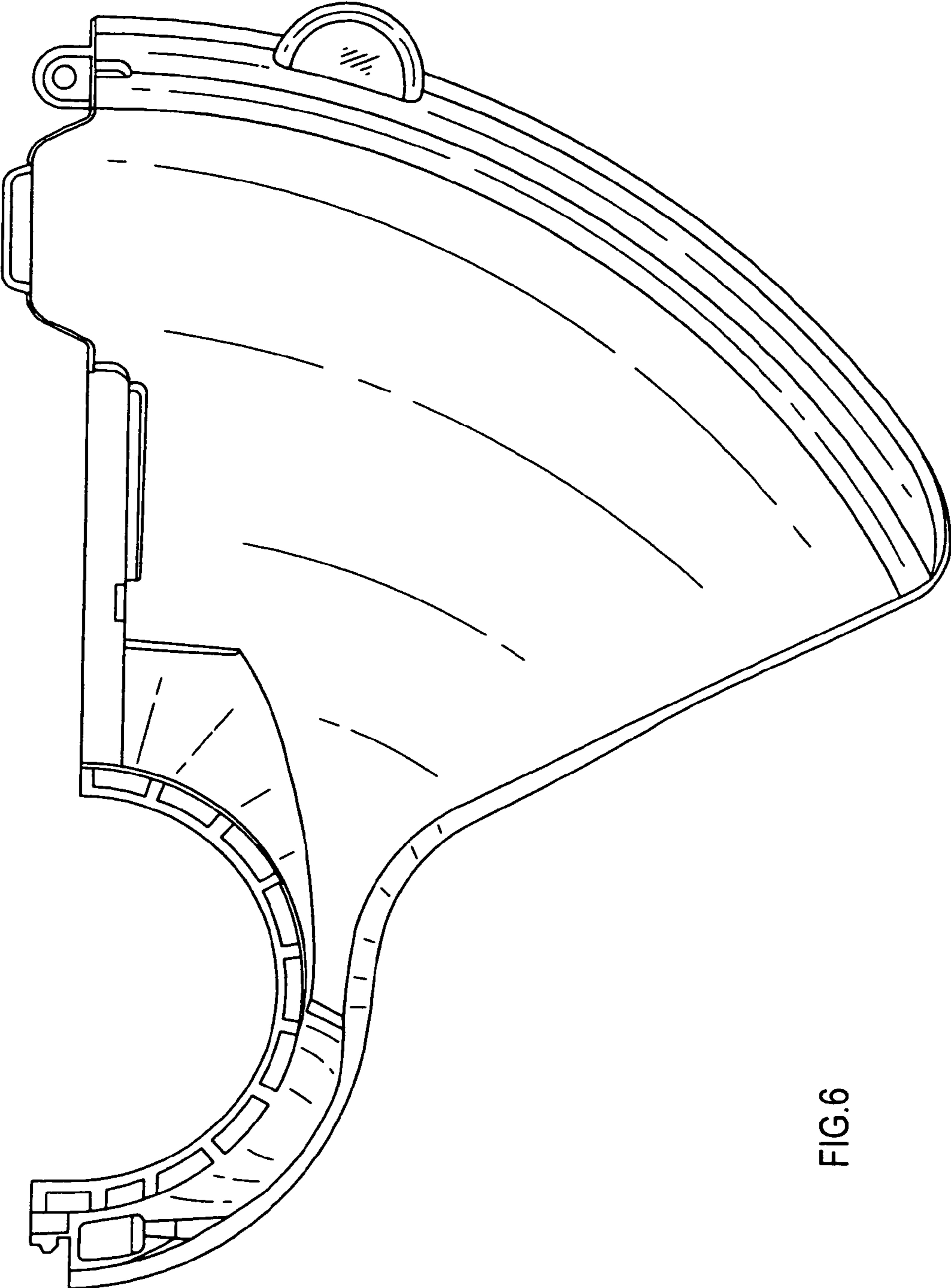


FIG.6

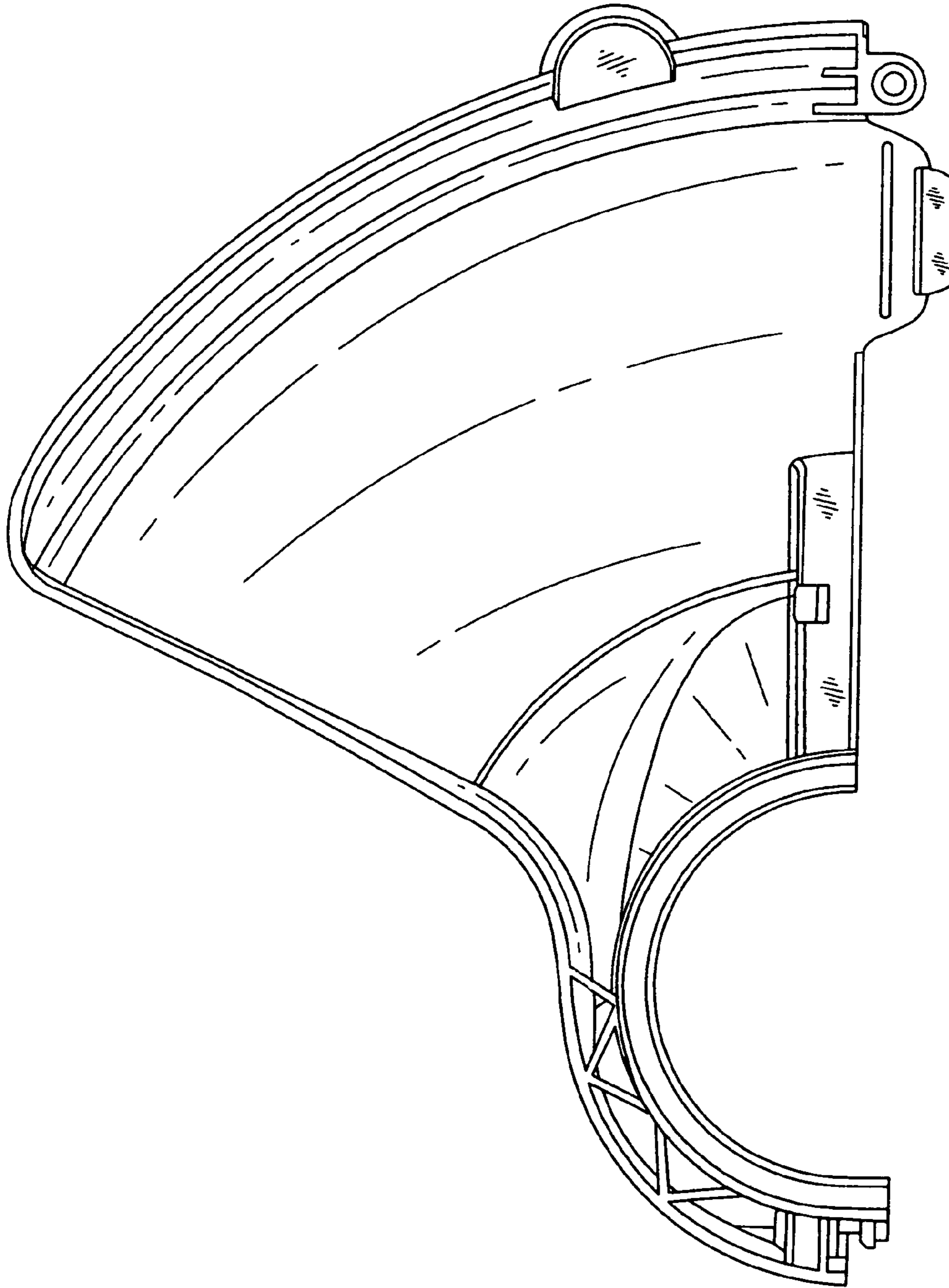


FIG.7

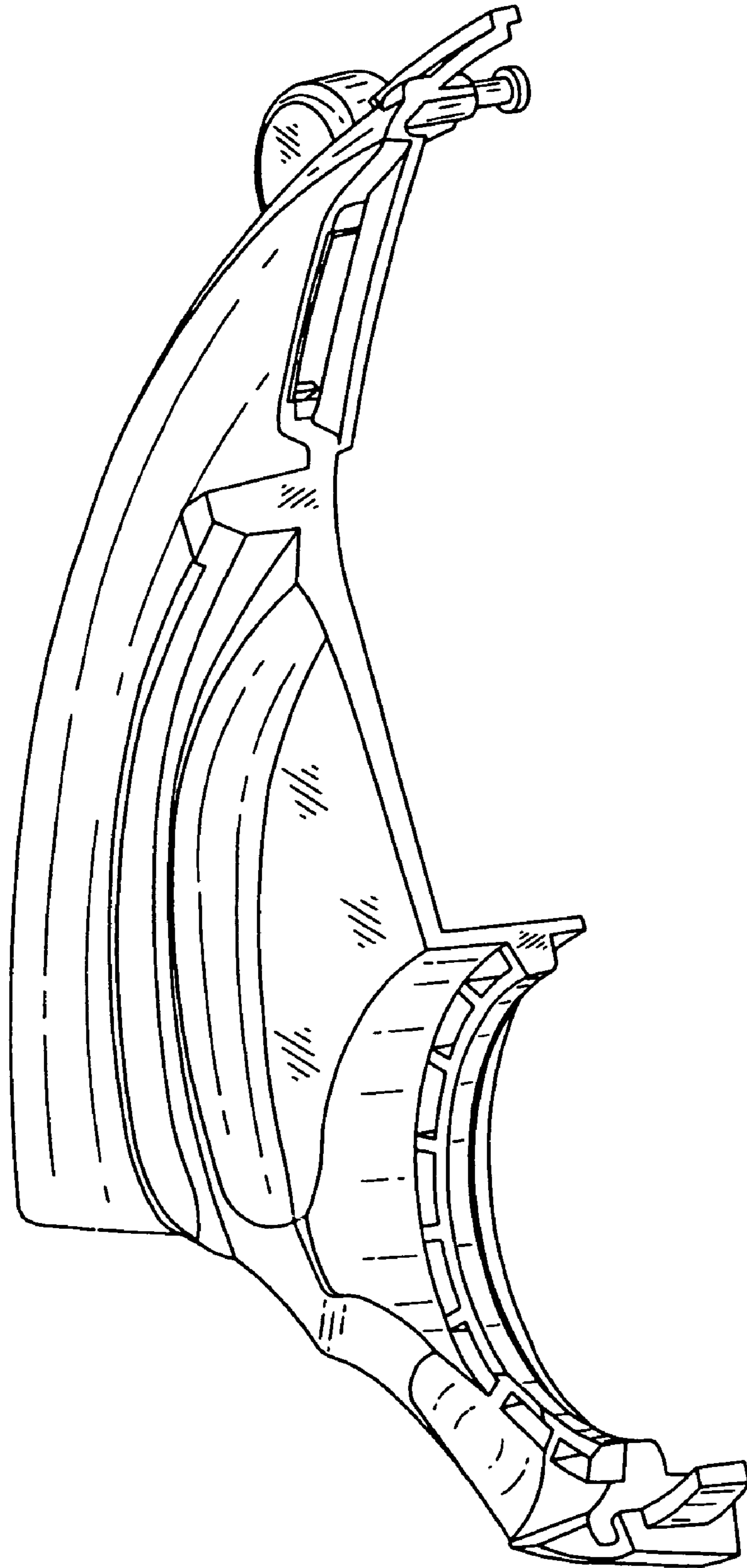


FIG.8

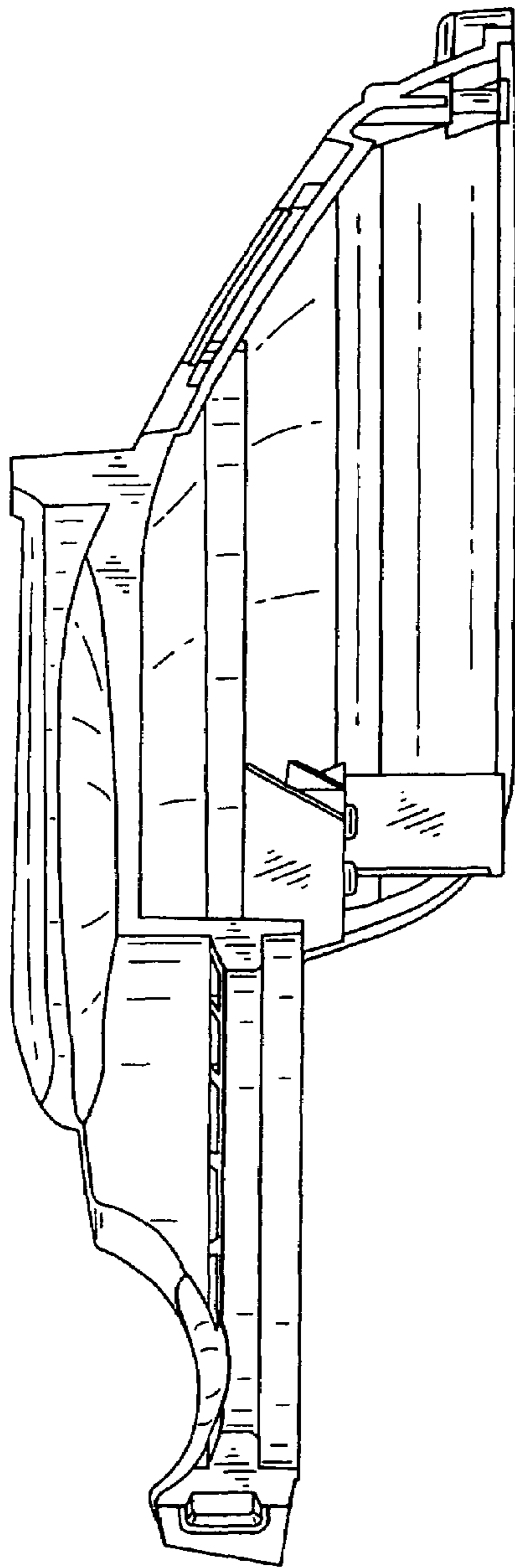


FIG. 9

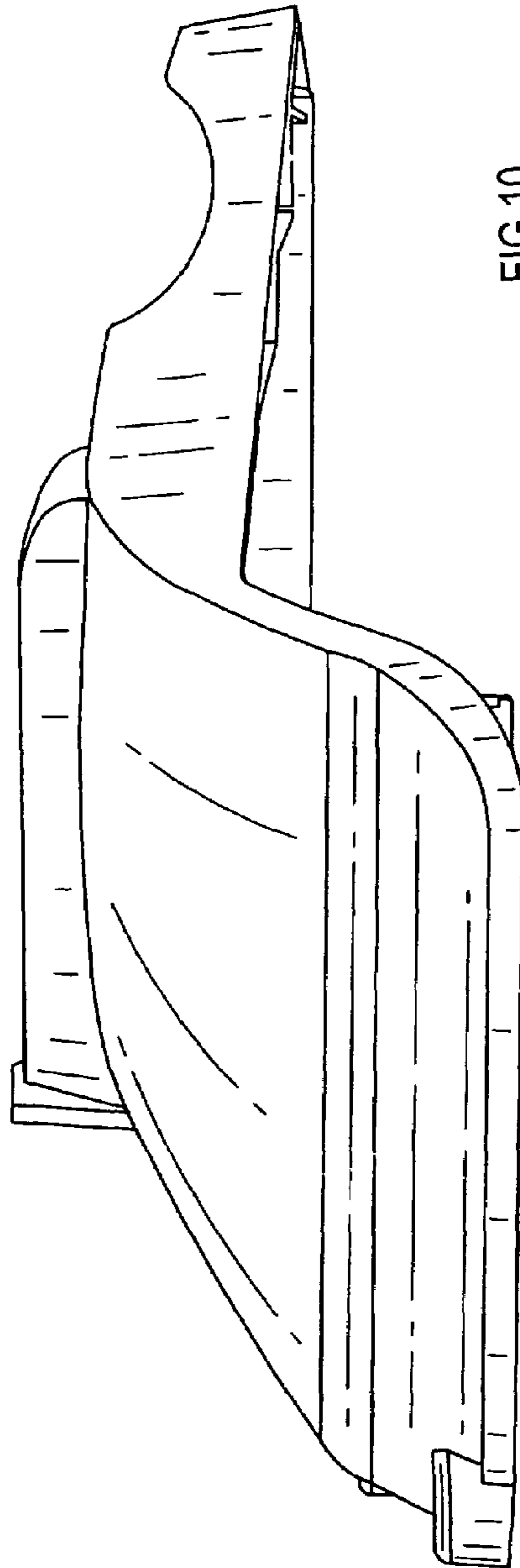


FIG. 10

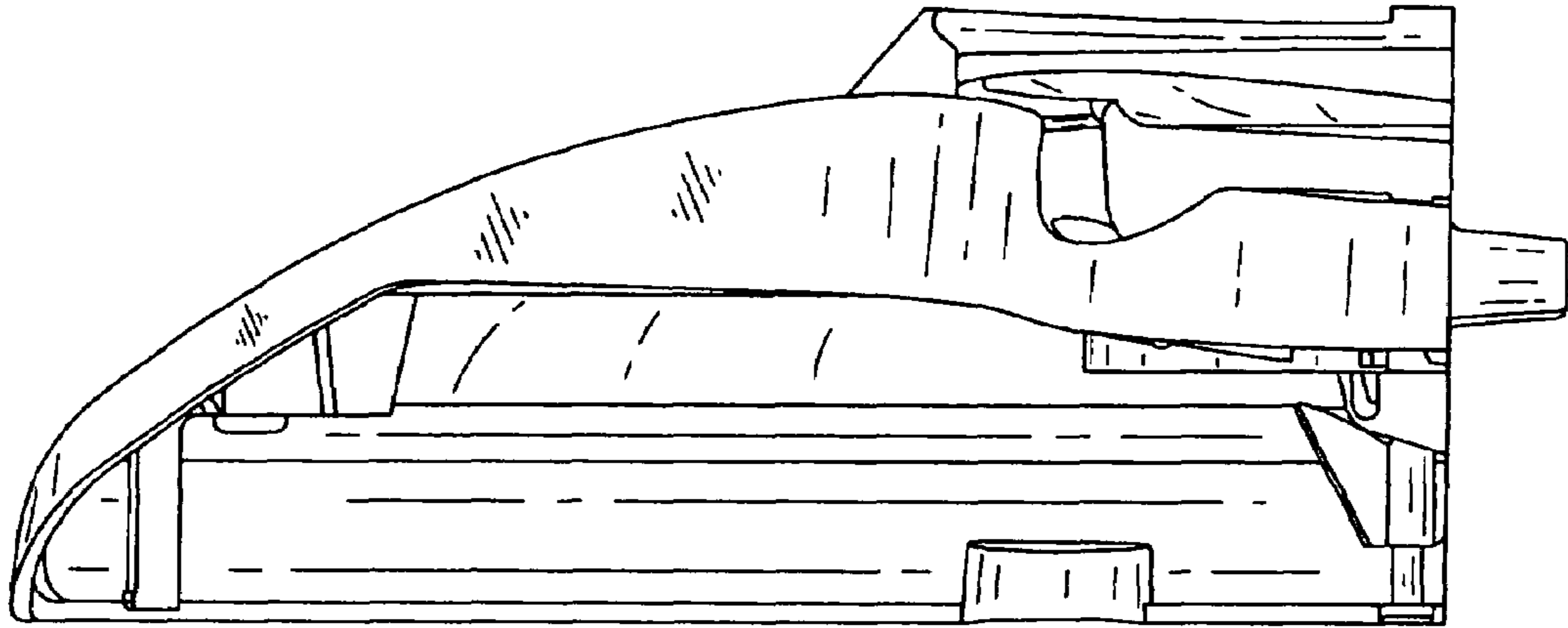


FIG.11

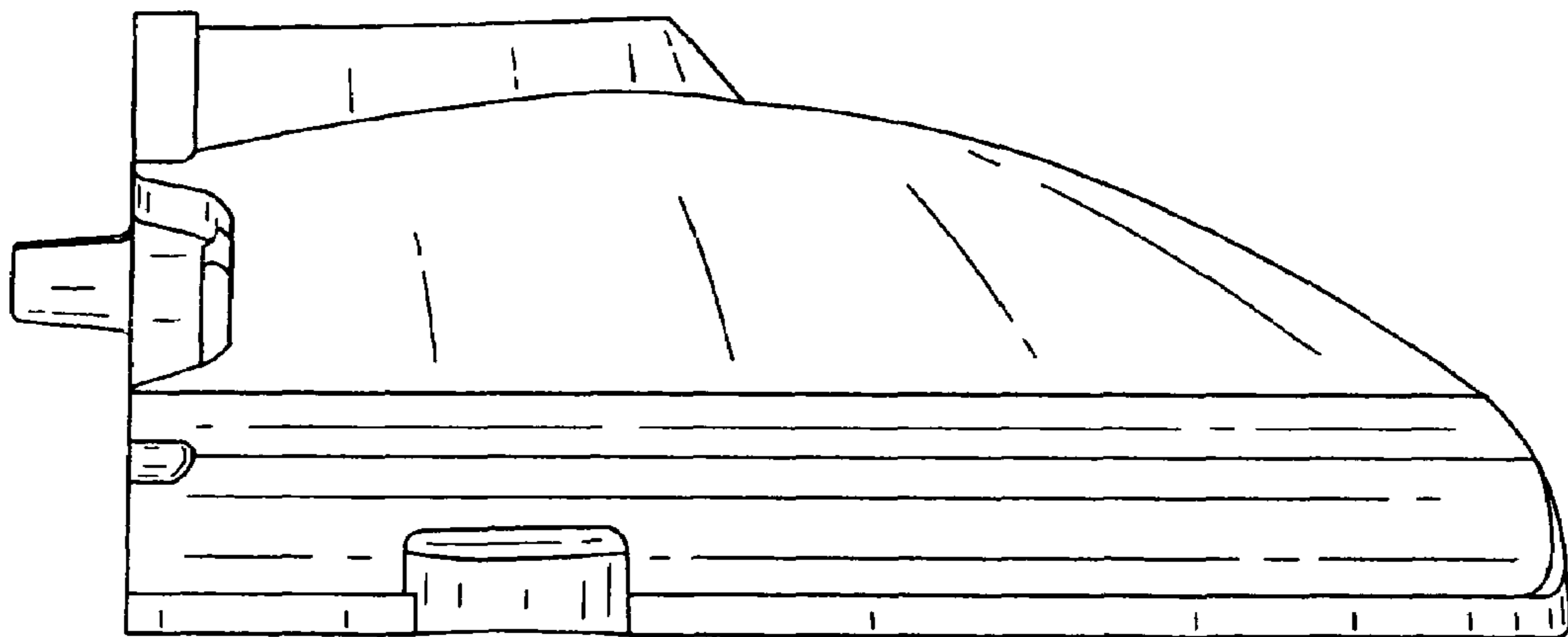


FIG.12

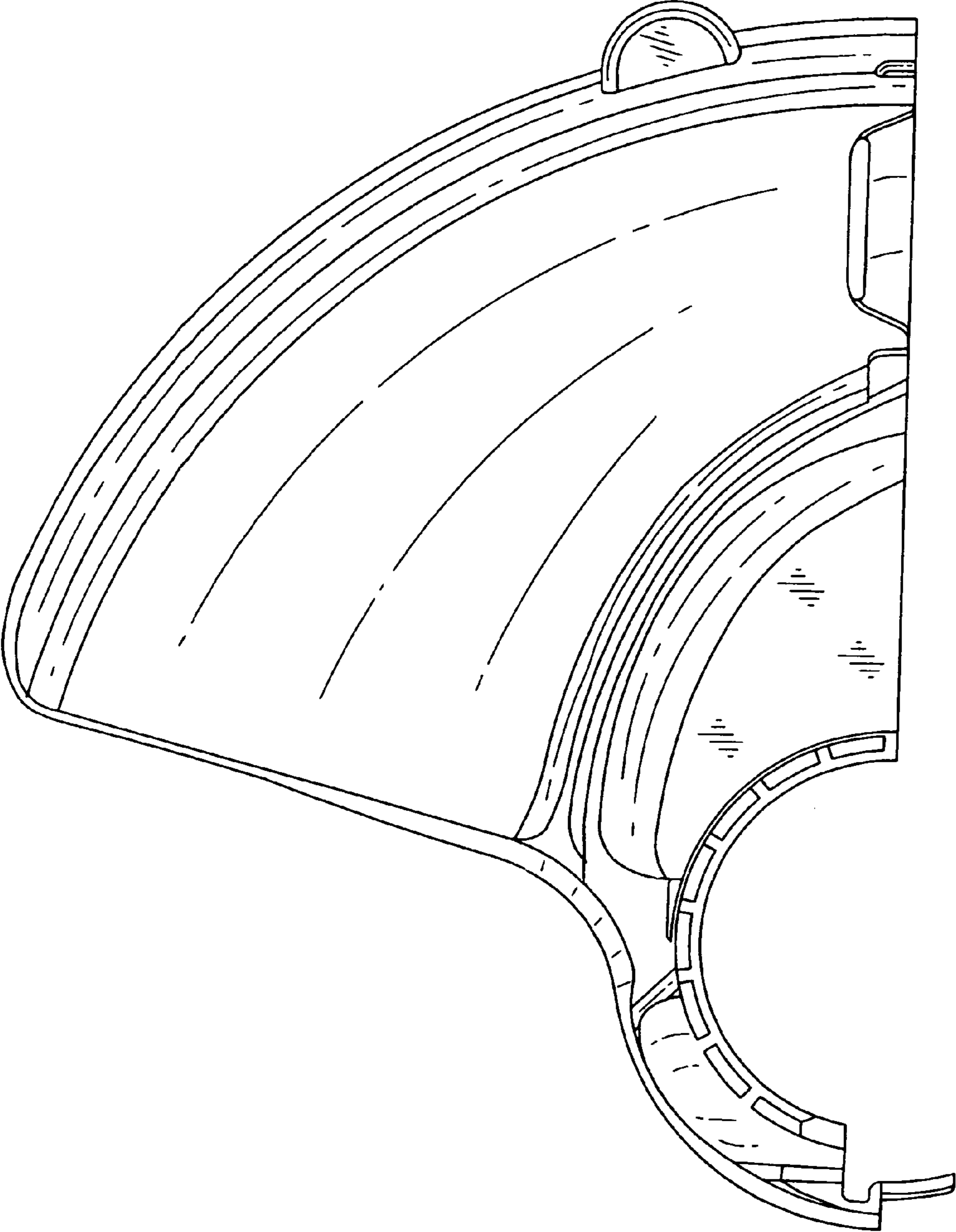


FIG.13

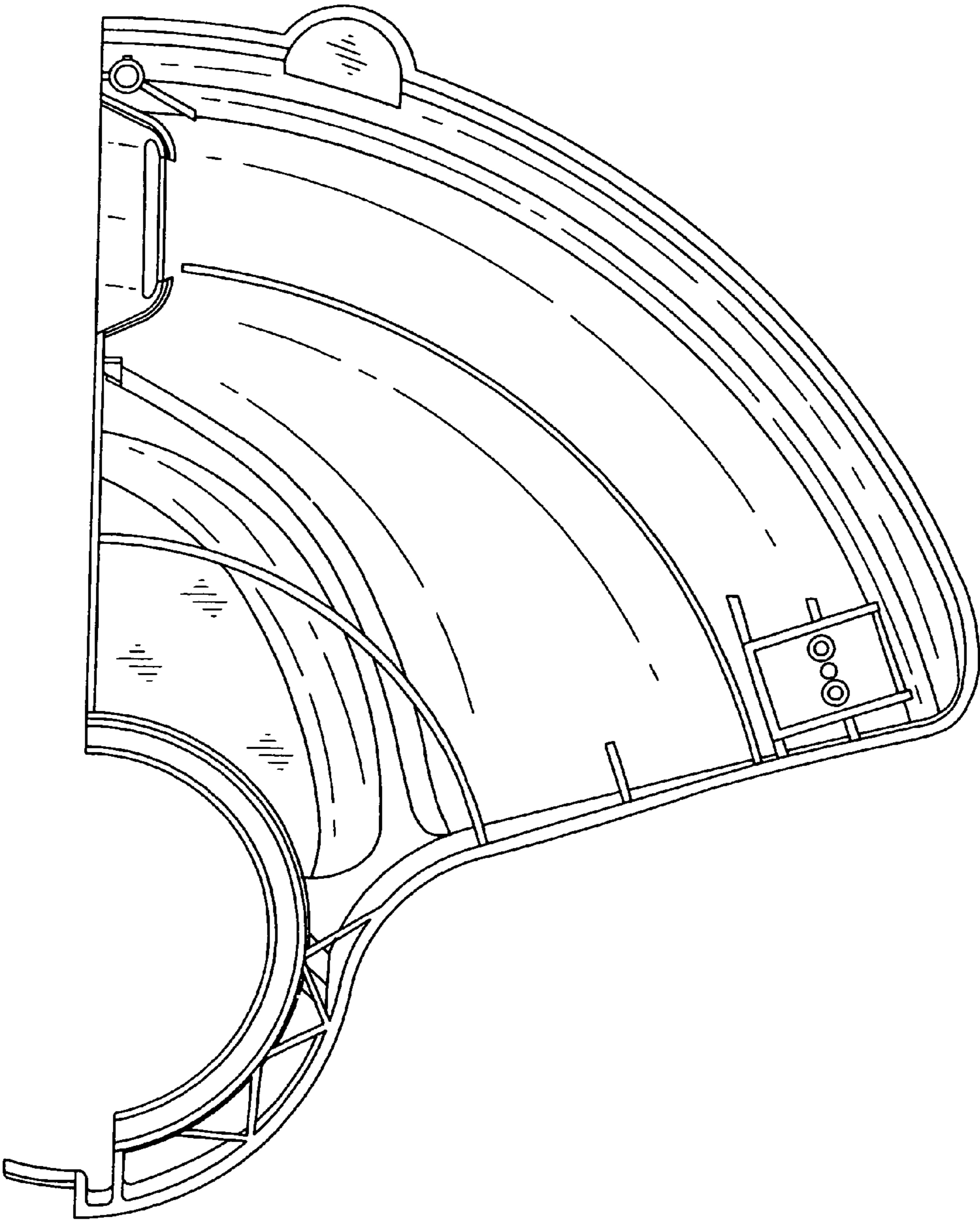


FIG.14