



US00D599631S

(12) **United States Design Patent**
Guadalupe

(10) **Patent No.:** **US D599,631 S**

(45) **Date of Patent:** **** Sep. 8, 2009**

(54) **BEACH DEBRIS RAKE**

(76) Inventor: **Michael F Guadalupe**, 852 Collins Ave., Apartment A-8, Miami Beach, FL (US) 33139

(**) Term: **14 Years**

(21) Appl. No.: **29/321,103**

(22) Filed: **Jul. 10, 2008**

(51) **LOC (9) Cl.** **08-01**

(52) **U.S. Cl.** **D8/1**

(58) **Field of Classification Search** D8/1, D8/13; 209/417-419, 614-615; 294/2, 55
See application file for complete search history.

(56) **References Cited**

U.S. PATENT DOCUMENTS

1,014,250	A *	1/1912	Norman	56/400.11
1,095,585	A *	5/1914	Mack	56/328.1
3,863,237	A *	1/1975	Doerr	15/1.7
4,190,279	A	2/1980	Squazzin		
4,198,720	A *	4/1980	Matsumoto	15/1.7
4,828,690	A	5/1989	Montez		

7,111,741	B2 *	9/2006	Bramante	209/614
7,393,032	B2 *	7/2008	Hoff	294/19.1
2005/0218044	A1 *	10/2005	Bramante	209/417

* cited by examiner

Primary Examiner—Holly H Baynham

Assistant Examiner—Sheryl Lane

(57) **CLAIM**

The ornamental design for a beach debris rake, as shown and described.

DESCRIPTION

FIG. 1 is a front elevation view of a beach debris rake showing my new design;

FIG. 2 is a rear elevation view thereof;

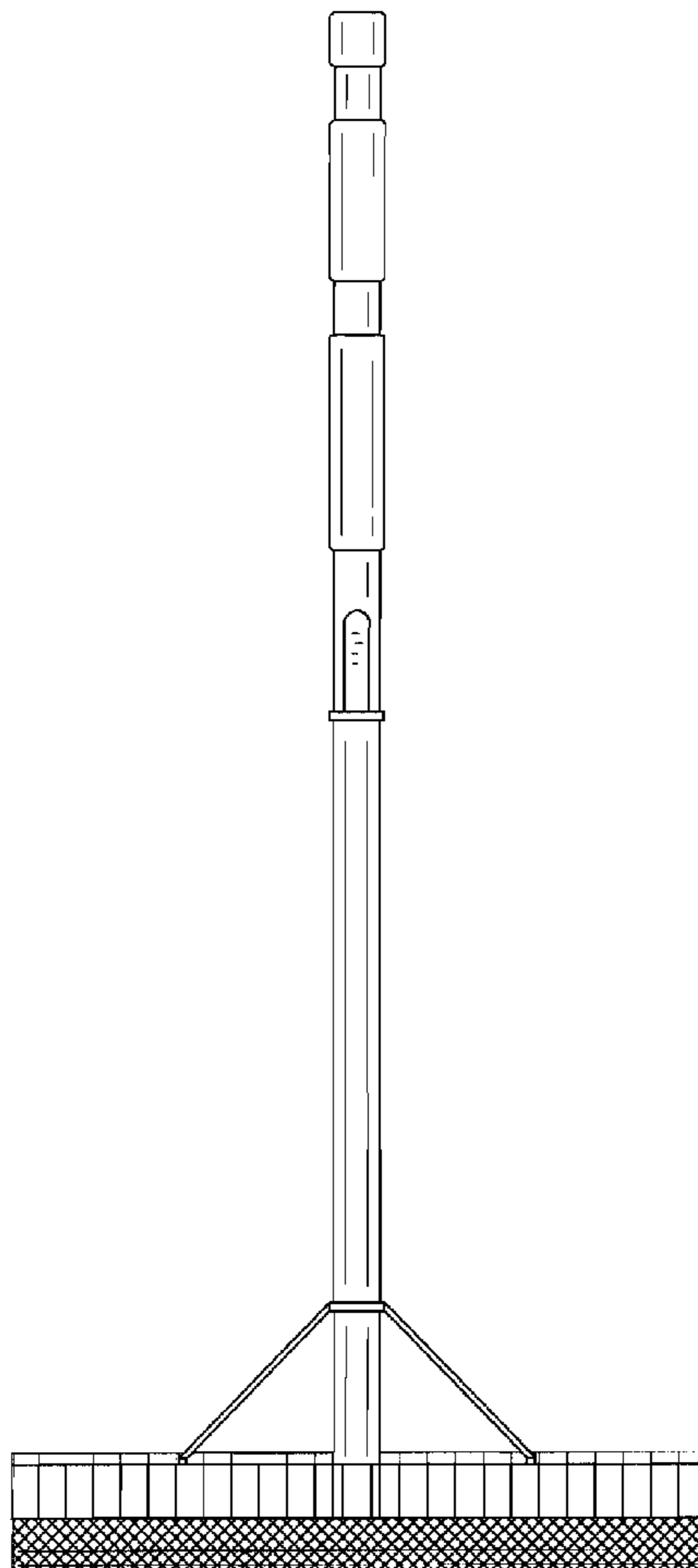
FIG. 3 is a right elevation view thereof; the opposite side being a mirror image of the shown;

FIG. 4 is a top plan view thereof;

FIG. 5 is a bottom plan view thereof; and,

FIG. 6 is an isometric view thereof.

1 Claim, 3 Drawing Sheets



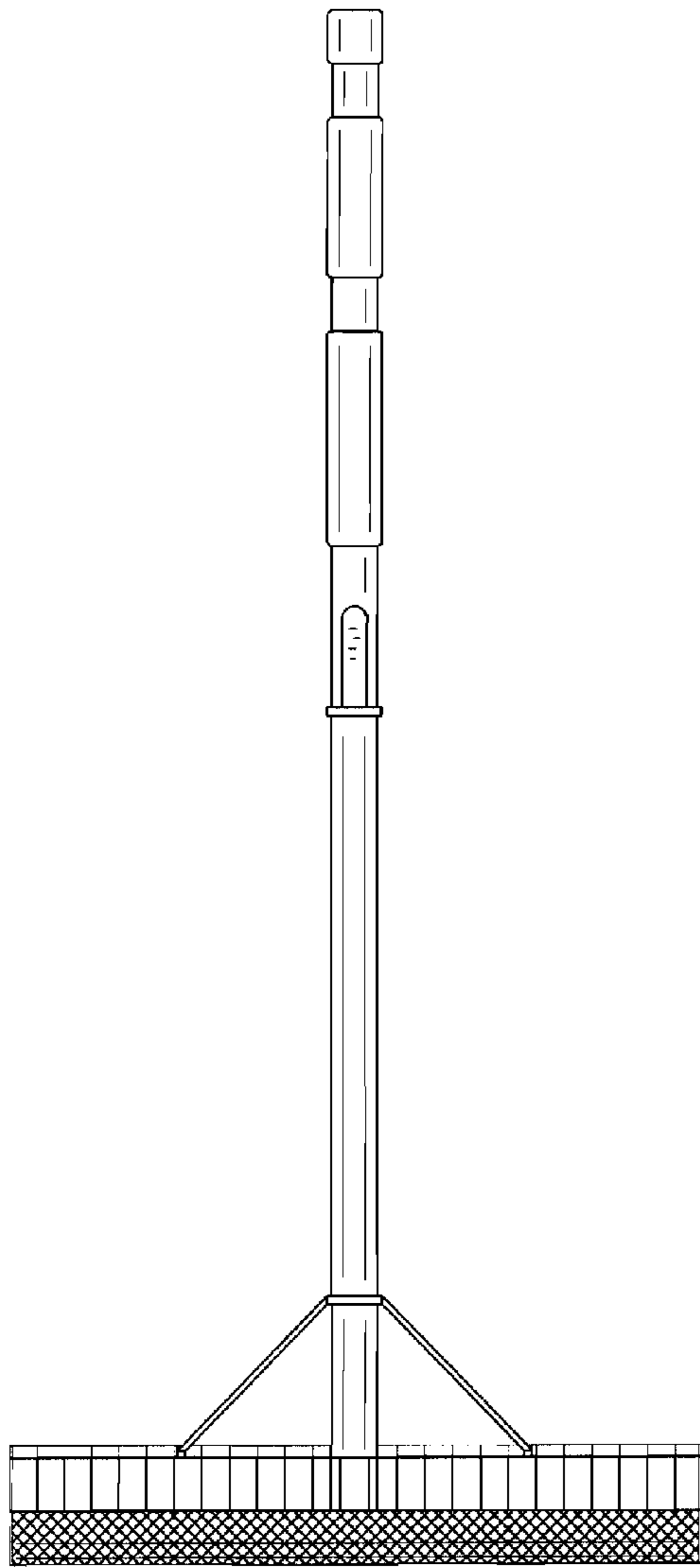


FIG. 1

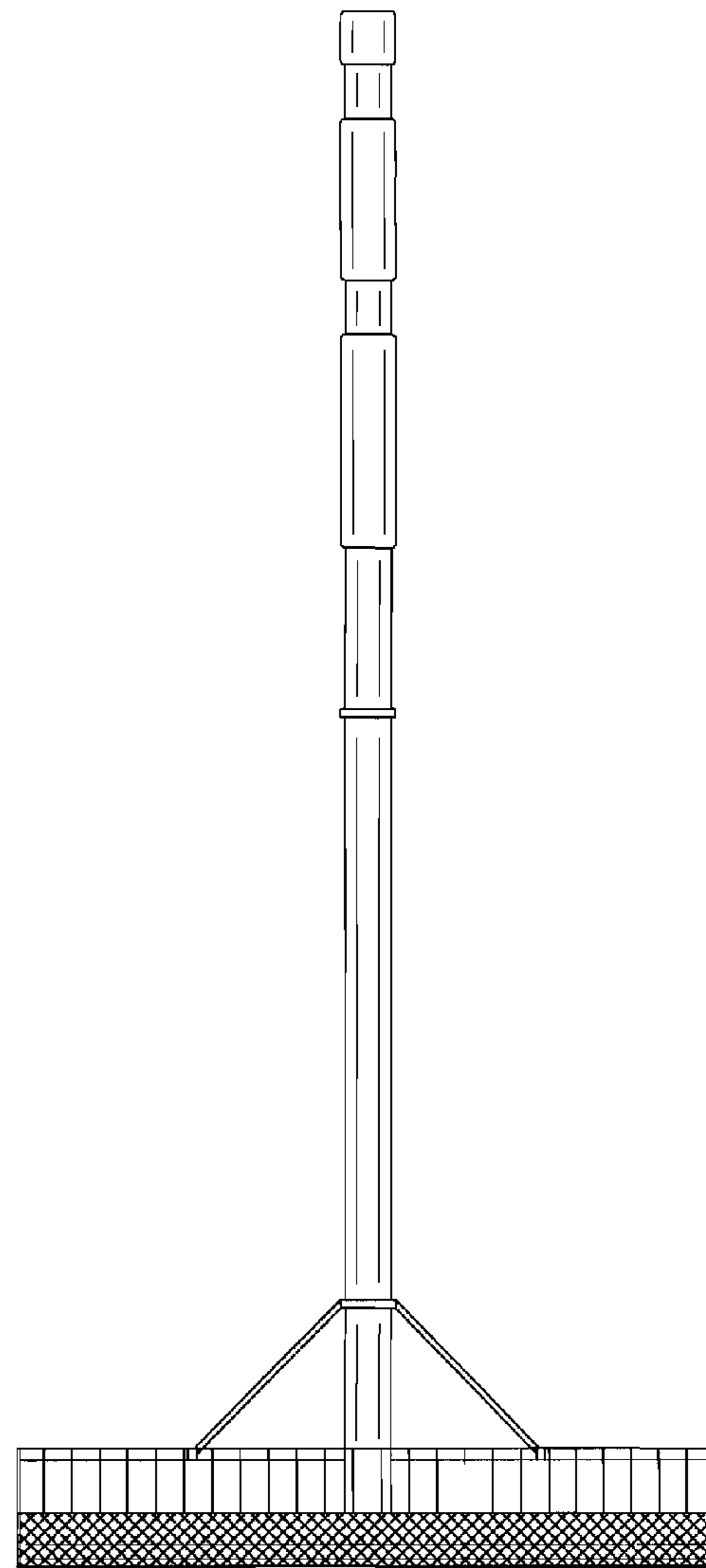


FIG. 2

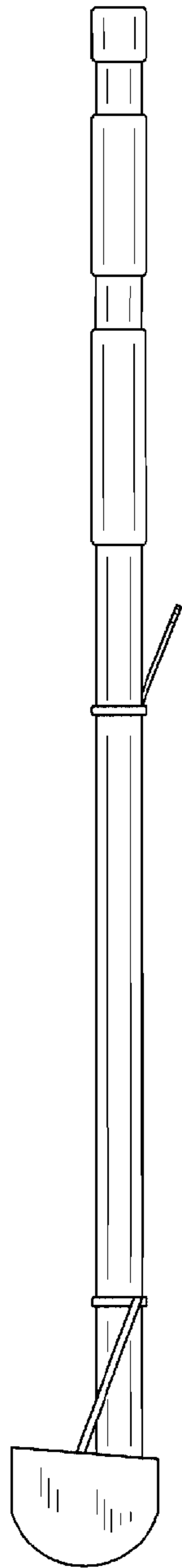


FIG. 3

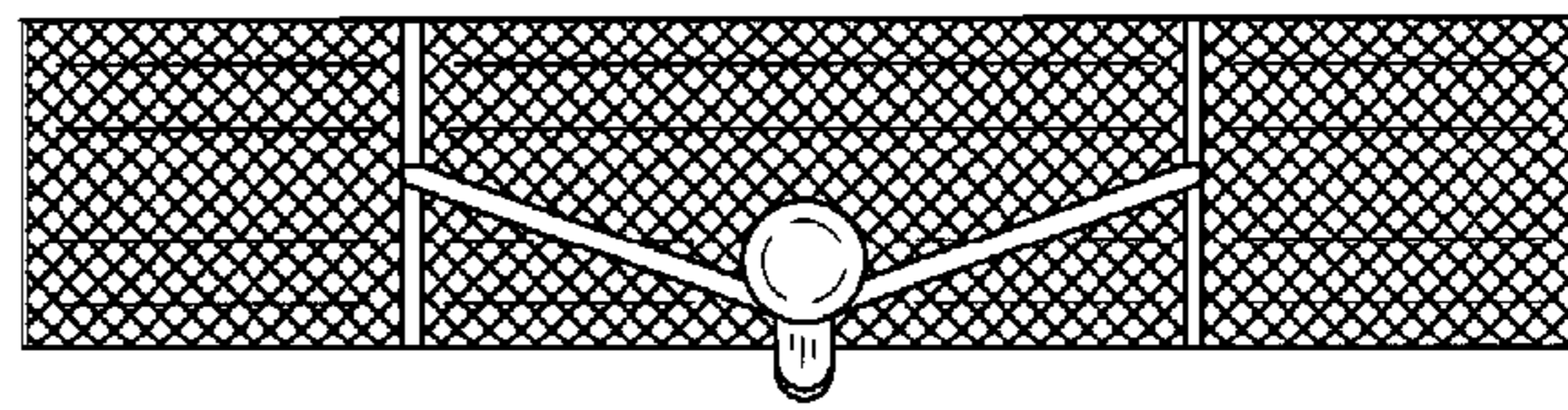


FIG. 4

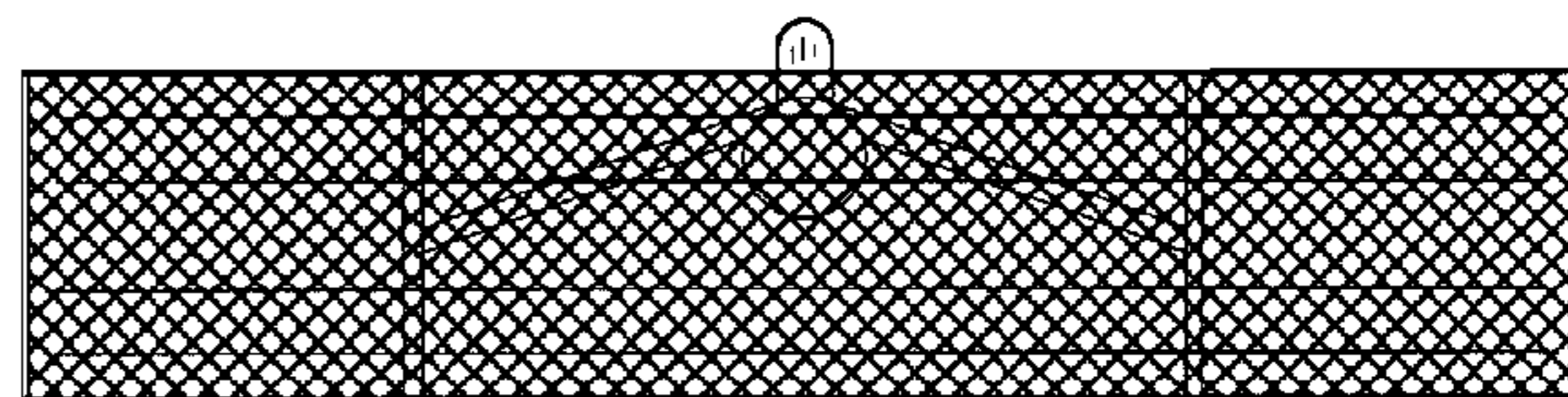


FIG. 5

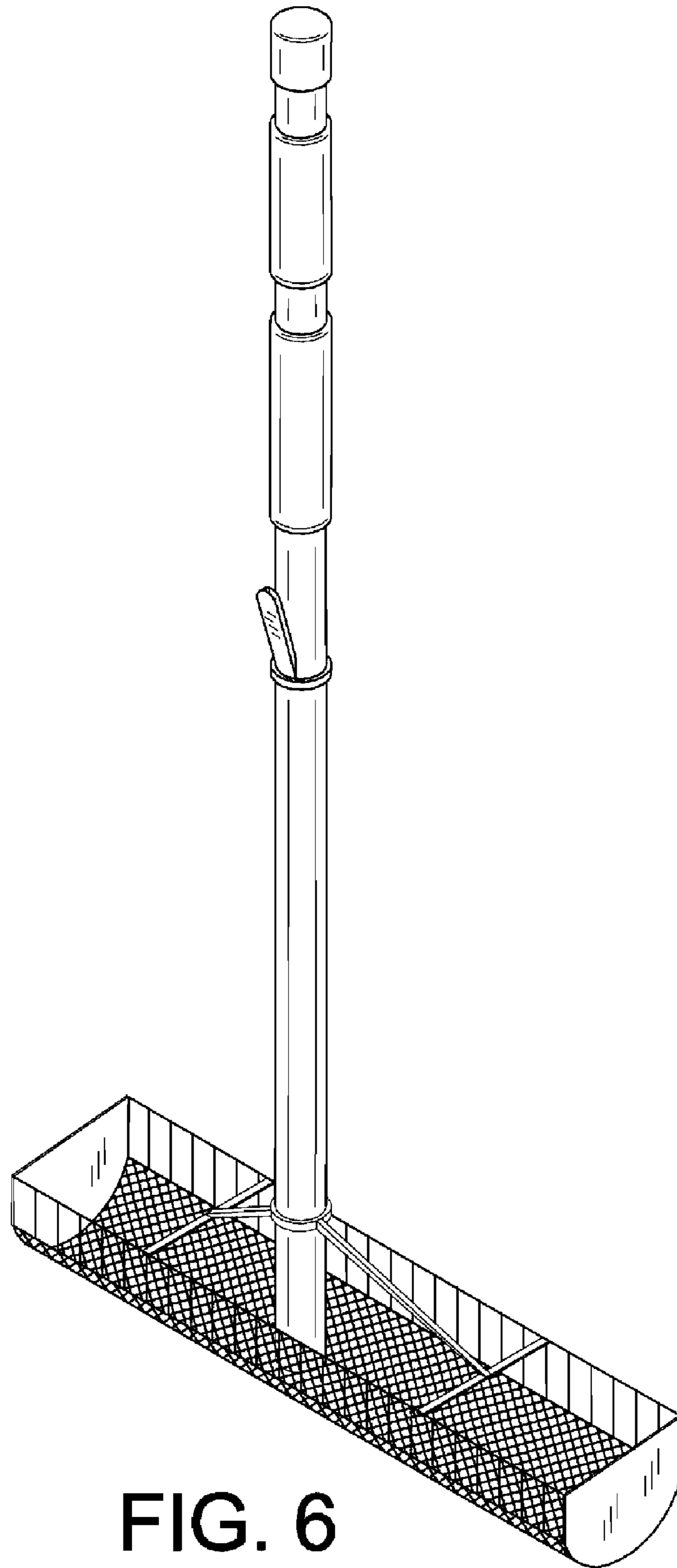


FIG. 6