



US00D599629S

(12) **United States Design Patent**  
**Pearce**

(10) **Patent No.:** **US D599,629 S**

(45) **Date of Patent:** **\*\* Sep. 8, 2009**

(54) **GARDEN PLUG DEVICE**

D560,982 S \* 2/2008 Hammond, Sr. .... D8/7

(76) **Inventor:** **Dennis R. Pearce**, 46 S. Lawson Rd.,  
Poquoson, VA (US) 23662

\* cited by examiner

*Primary Examiner*—Holly H Baynham

*Assistant Examiner*—Sheryl Lane

(74) *Attorney, Agent, or Firm*—William G. Sykes

(\*\*) **Term:** **14 Years**

(21) **Appl. No.:** **29/308,279**

(57) **CLAIM**

(22) **Filed:** **Jun. 9, 2008**

The ornamental design for a garden plug device, as shown.

(51) **LOC (9) Cl.** ..... **08-01**

(52) **U.S. Cl.** ..... **D8/1**

(58) **Field of Classification Search** ..... D8/1,  
D8/9; D15/28; 111/101.14, 106; 172/22,  
172/21, 371–372; 294/50.5

**DESCRIPTION**

See application file for complete search history.

FIG. 1 is a top perspective view of a garden plug device of my new design;

FIG. 2 is a bottom perspective thereof;

FIG. 3 is a front view thereof;

FIG. 4 is top view thereof;

FIG. 5 is a bottom view thereof;

FIG. 6 is a right side view thereof;

FIG. 7 is a left side view thereof; and,

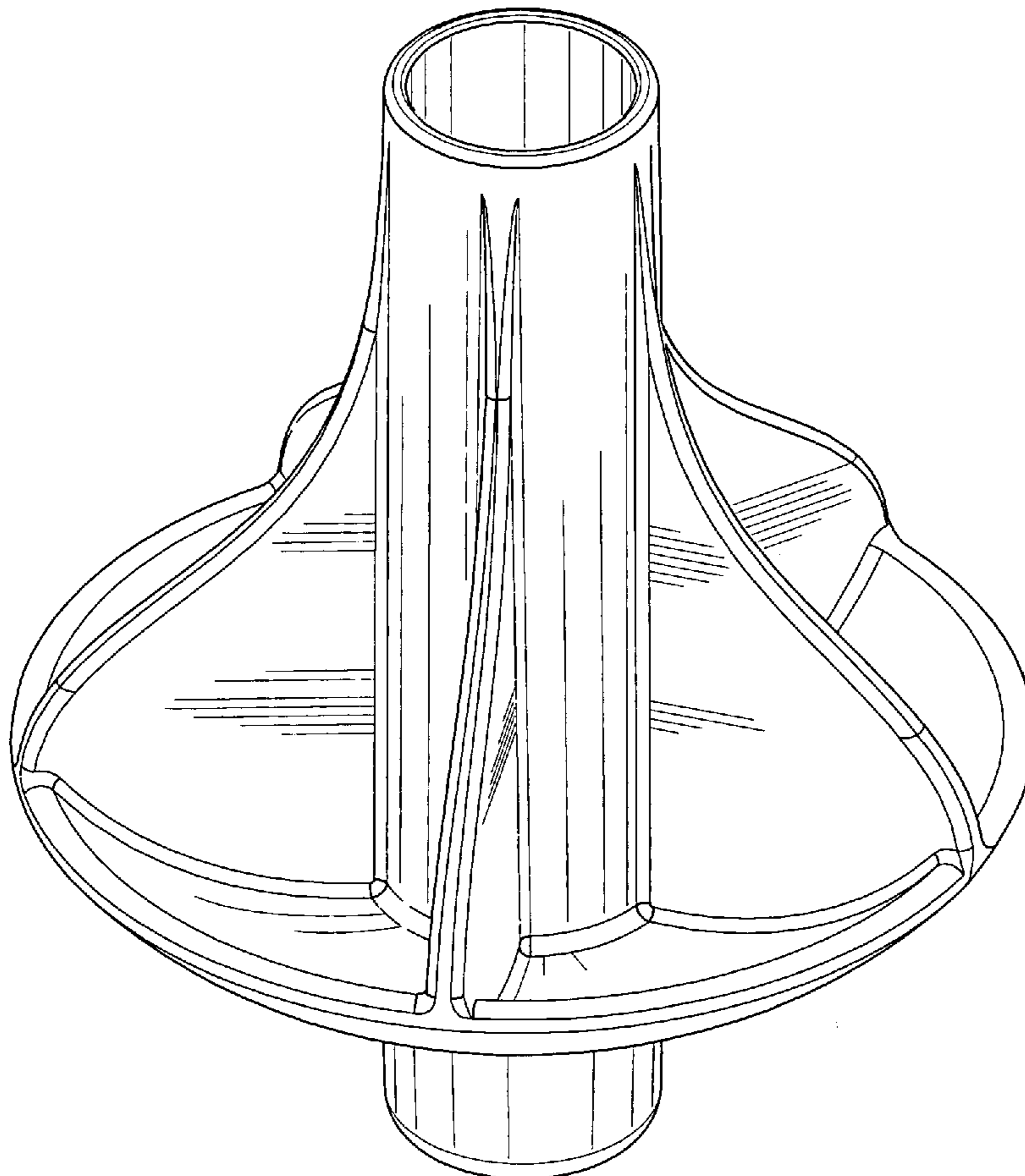
FIG. 8 is a back view thereof.

(56) **References Cited**

**U.S. PATENT DOCUMENTS**

4,986,368	A *	1/1991	Underwood et al.	.....	175/394
D405,328	S *	2/1999	Bott	.....	D8/1
6,599,065	B2 *	7/2003	Haughton et al.	.....	408/203.5
6,892,823	B2 *	5/2005	Cirella	.....	172/371
D528,878	S *	9/2006	Laramee	.....	D8/7
7,198,113	B1 *	4/2007	Schoppe	.....	172/22

**1 Claim, 8 Drawing Sheets**



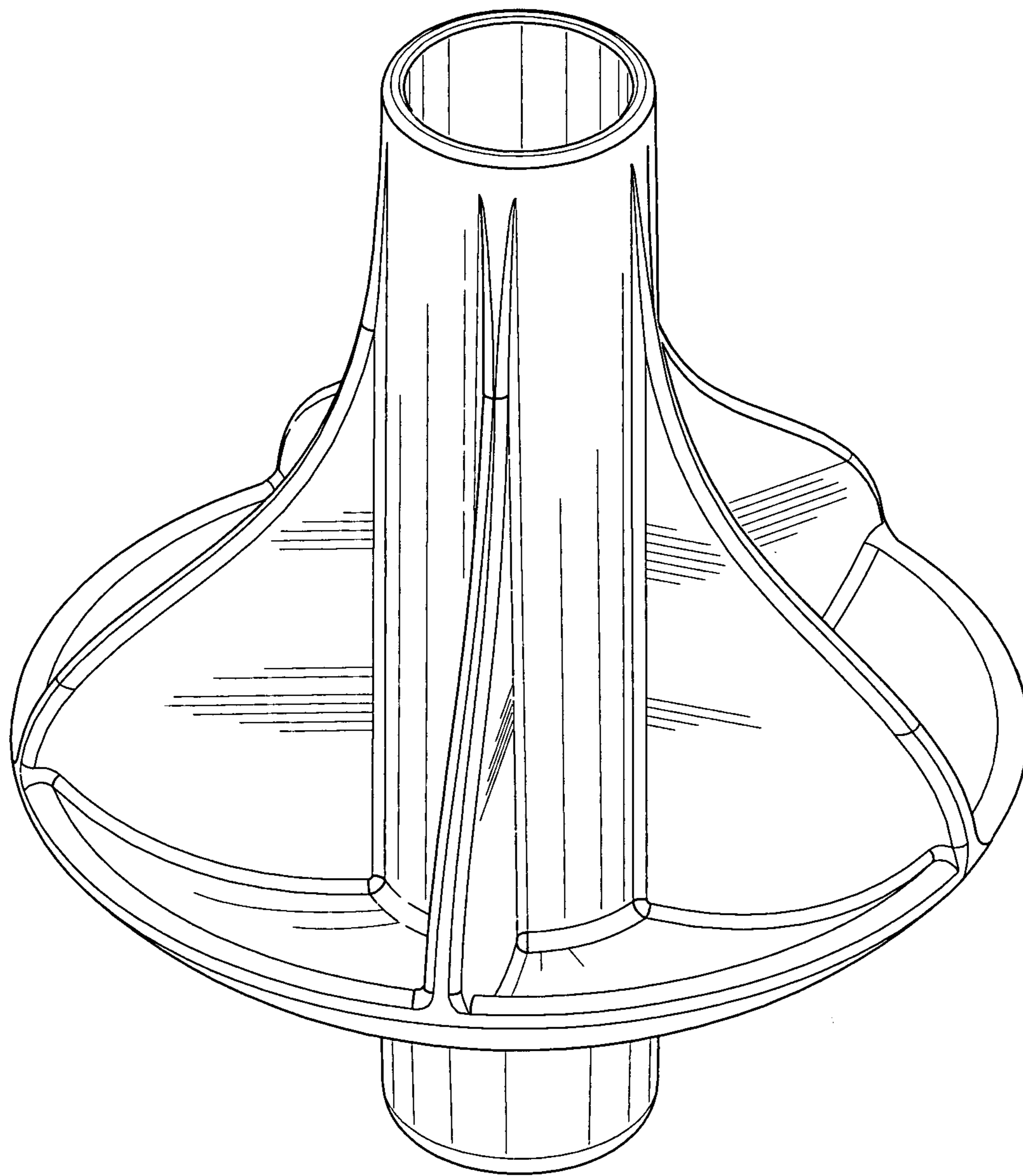


Fig. 1

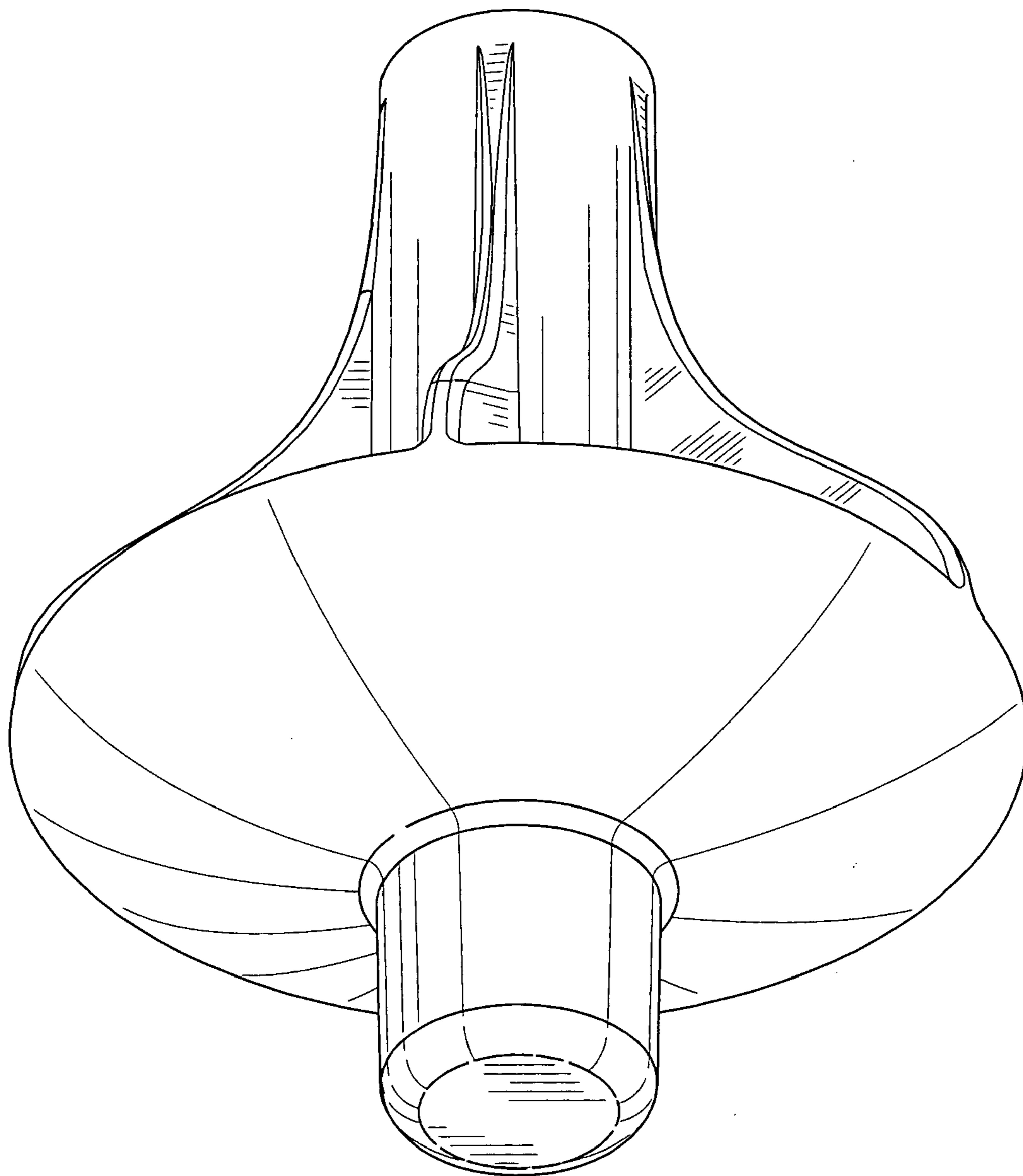


Fig. 2

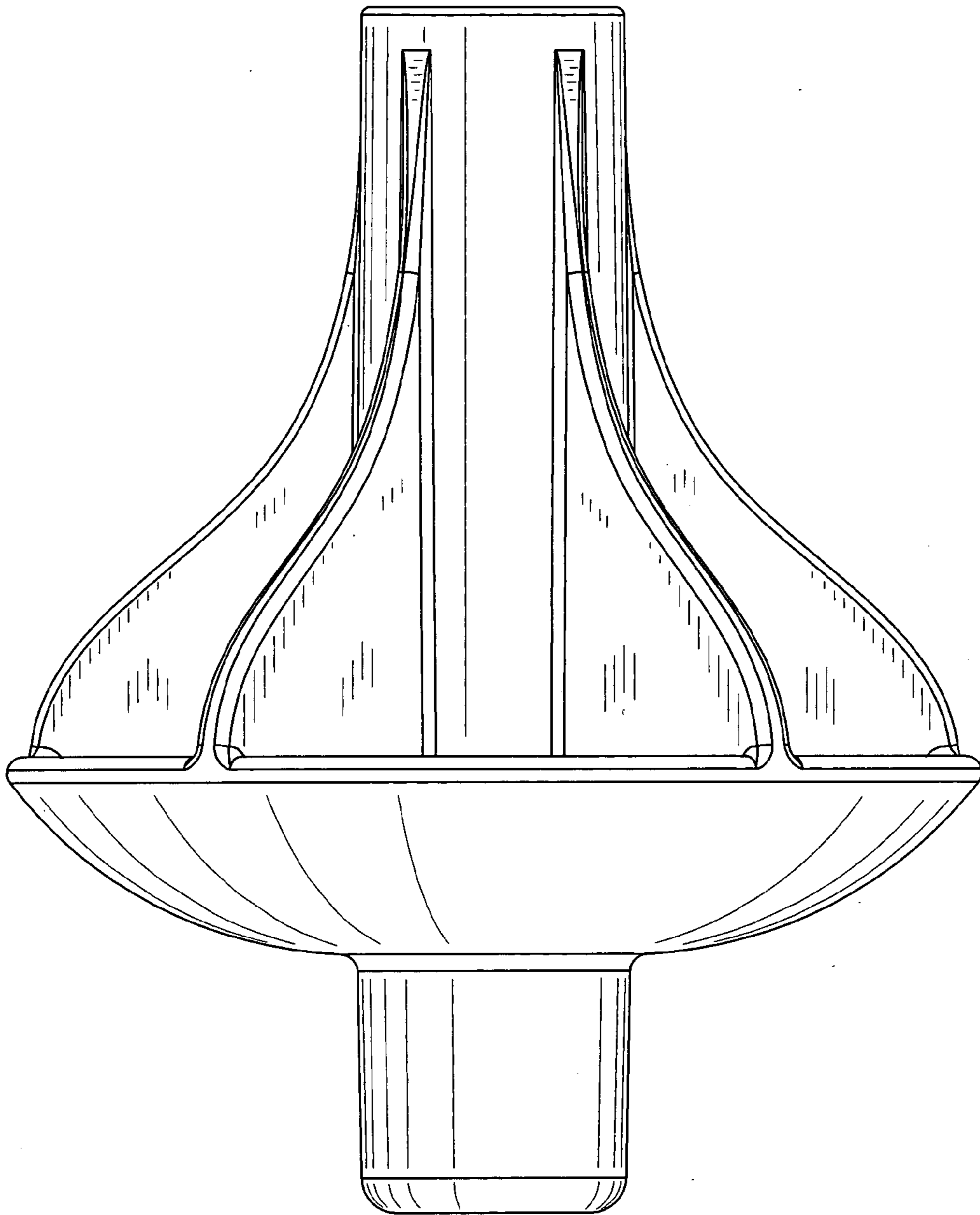


Fig. 3

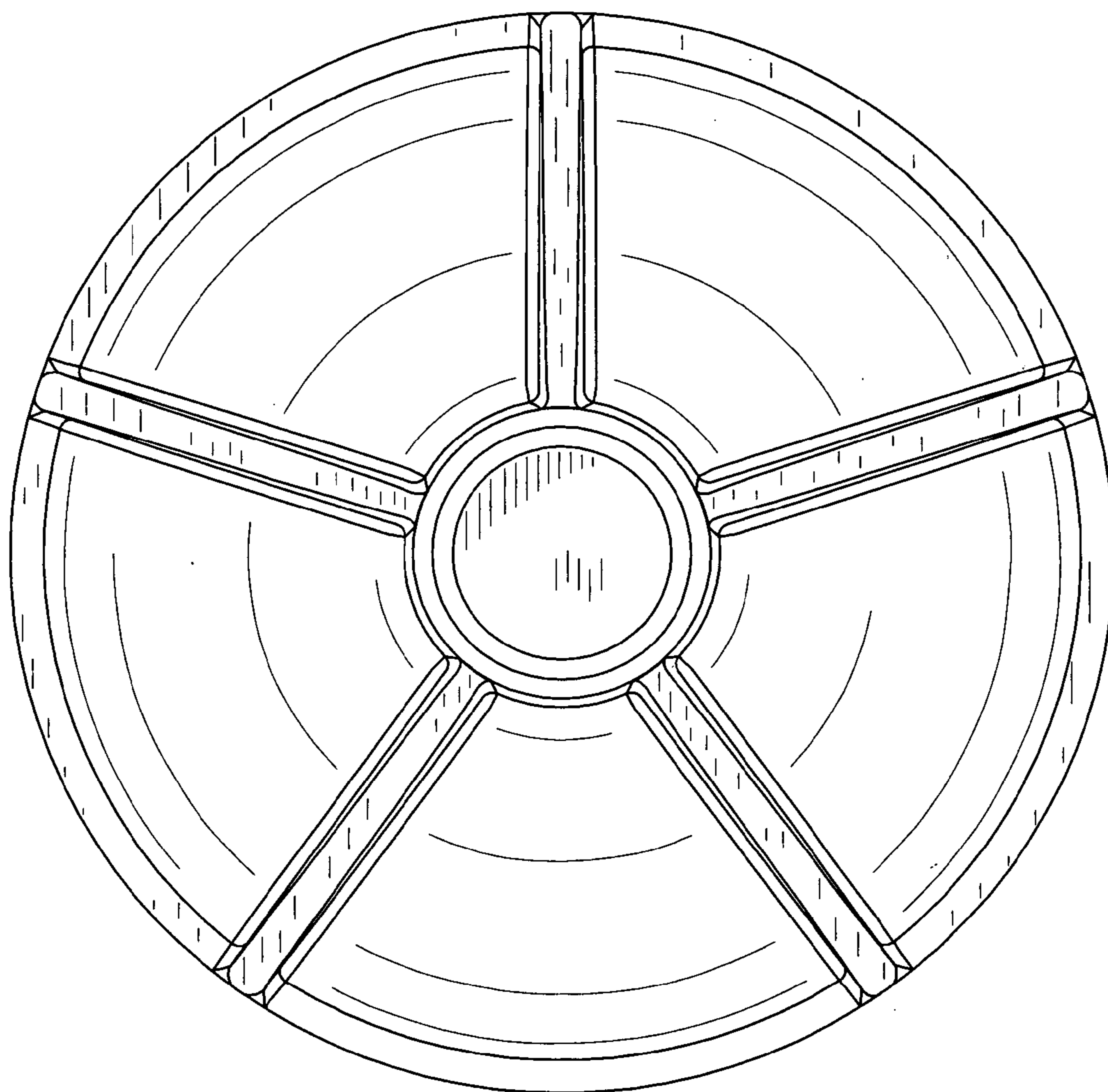


Fig. 4

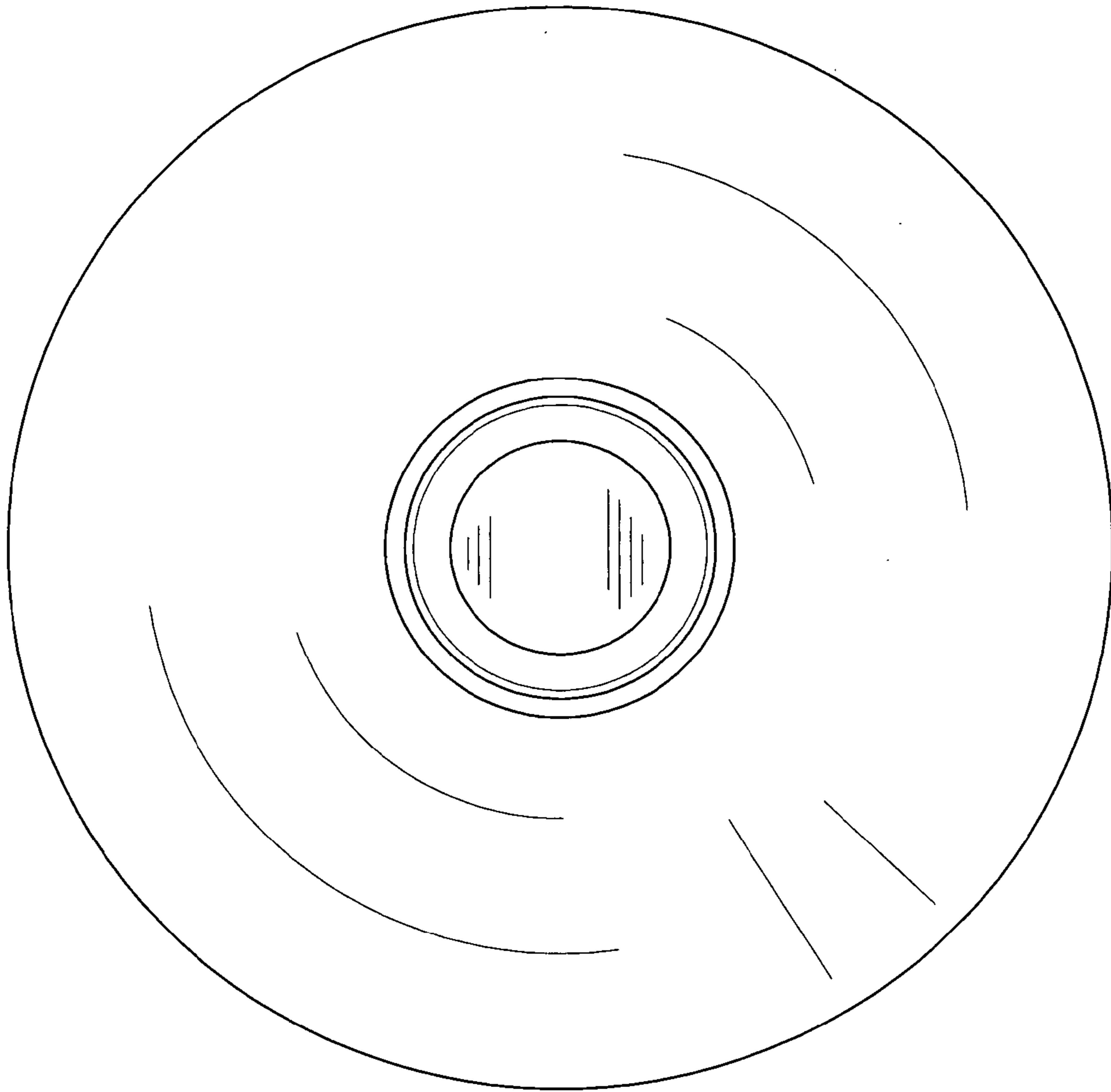


Fig. 5

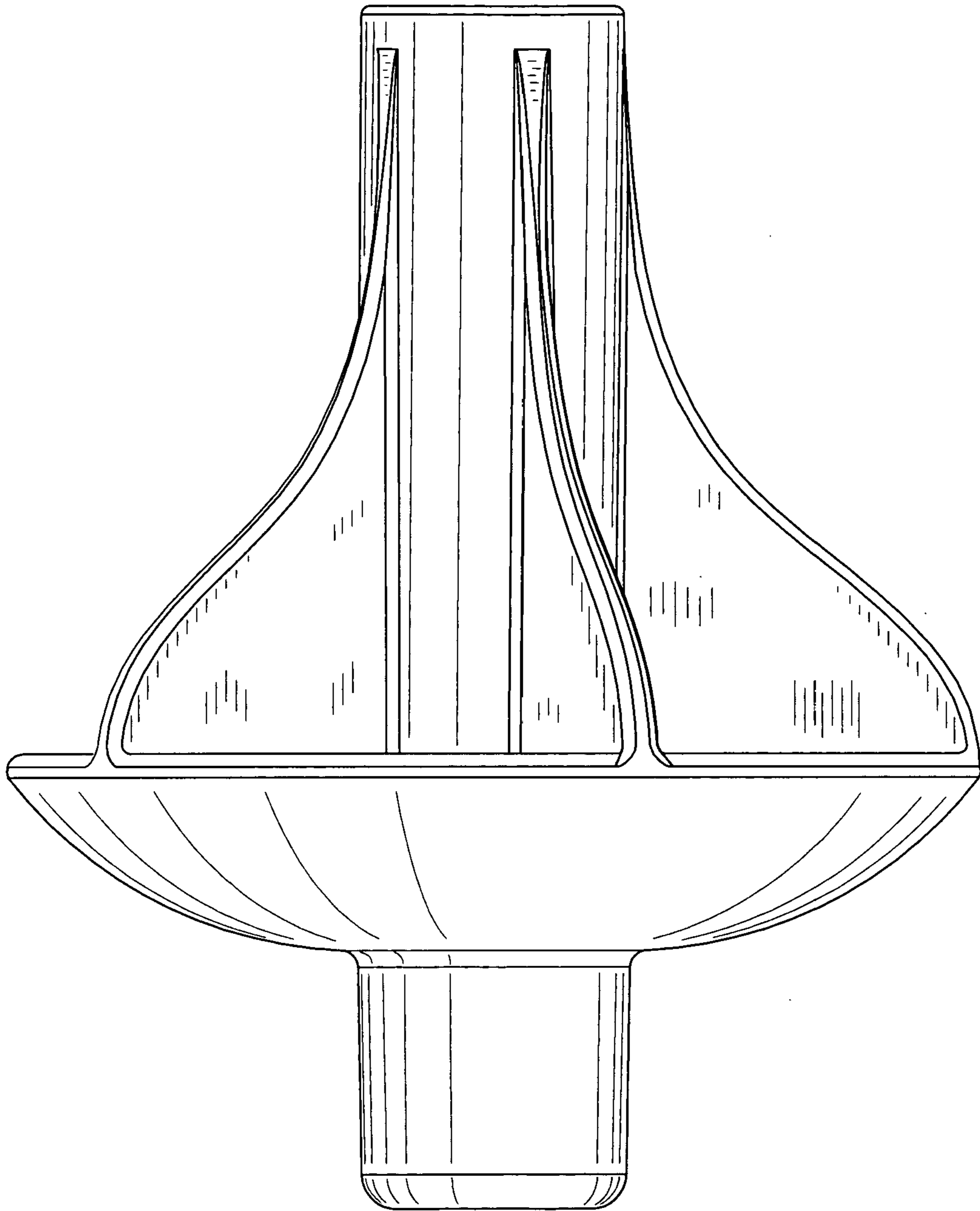


Fig. 6

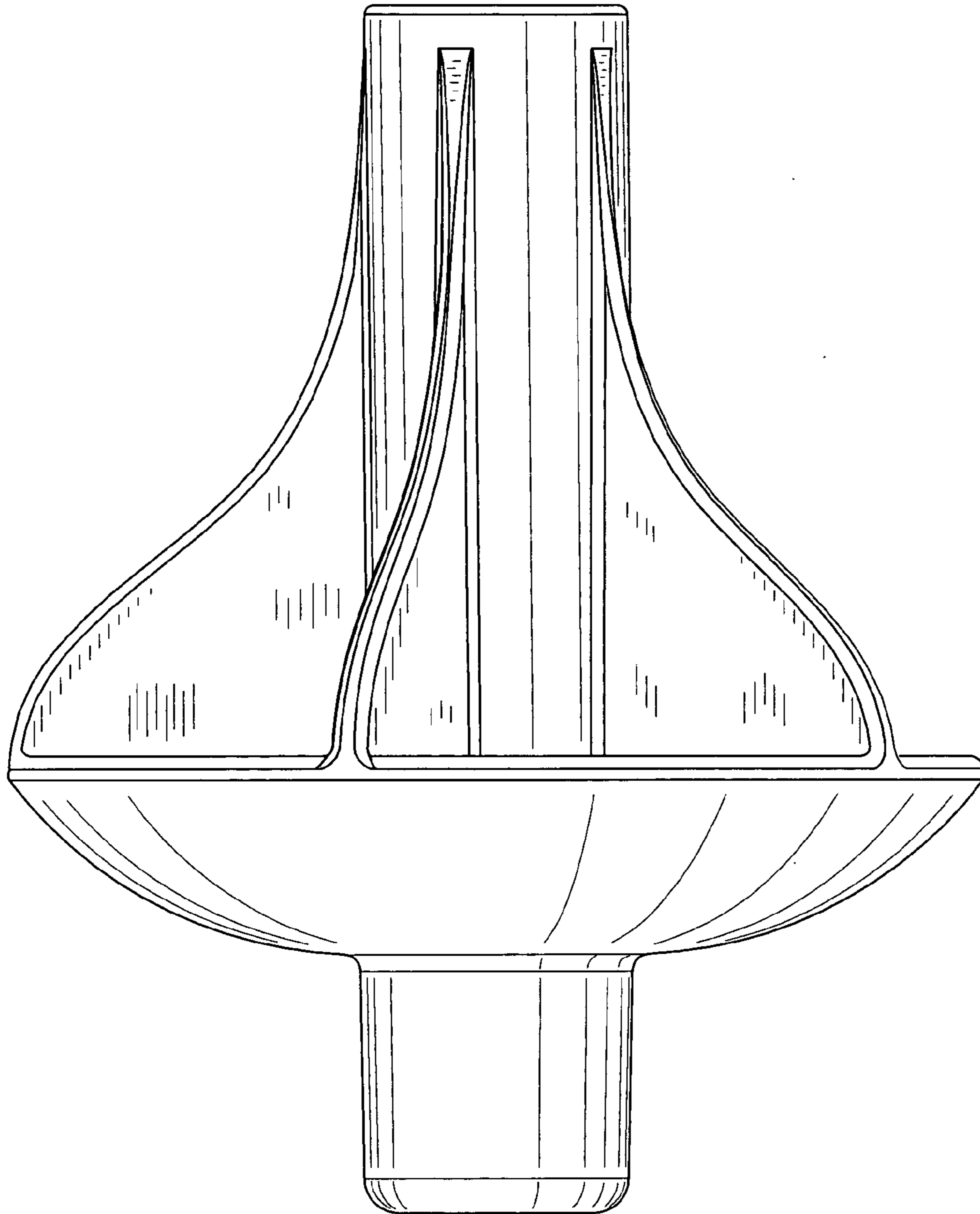


Fig. 7



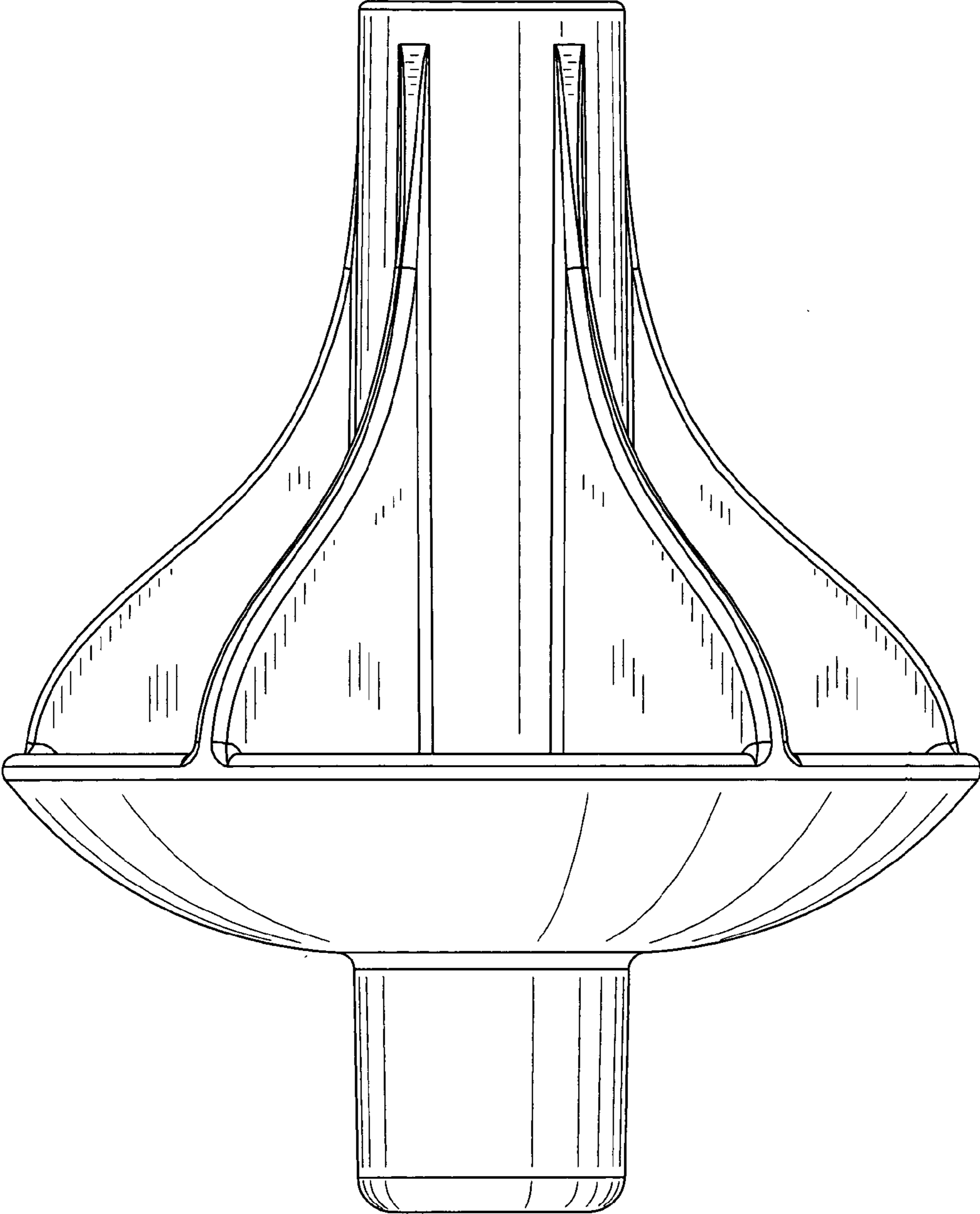


Fig. 8