



US00D599628S

(12) **United States Design Patent**
Pourounidis et al.

(10) **Patent No.:** **US D599,628 S**
(45) **Date of Patent:** **** Sep. 8, 2009**

(54) **SCOOP**

(76) Inventors: **Harry Pourounidis**, C/-BAMBIS, 1-9 Moreland Road, East Coburg, Victoria (AU) 3058; **Curtis Stone**, C/-BAMBIS, 1-9 Moreland Road, East Coburg, Victoria (AU) 3058

3,365,227 A * 1/1968 Wildgen 294/27.1
D383,267 S * 9/1997 Emmerth D32/46
D394,371 S * 5/1998 Cousins D7/691
6,478,293 B1 11/2002 Keener
D472,112 S * 3/2003 Bertke D7/691
6,733,056 B2 * 5/2004 Daniele 294/1.1

(**) Term: **14 Years**

* cited by examiner

(21) Appl. No.: **29/298,277**

Primary Examiner—Terry A Wallace
(74) *Attorney, Agent, or Firm*—Fulwider Patton LLP

(22) Filed: **Nov. 30, 2007**

(51) **LOC (9) Cl.** **07-02**

(52) **U.S. Cl.** **D7/691**

(58) **Field of Classification Search** D7/691,
D7/692, 669; 30/124, 136, 169, 324; 15/257.1,
15/257.9, 236.01, 236.02; 294/1.1, 55, 1.3,
294/3.5, 7, 25, 49, 54.5, 57; D32/46
See application file for complete search history.

(57) **CLAIM**

The ornamental design for a scoop, as shown.

DESCRIPTION

FIG. 1 is a side view of the scoop, showing our new design.

FIG. 2 is a top perspective view thereof; and,

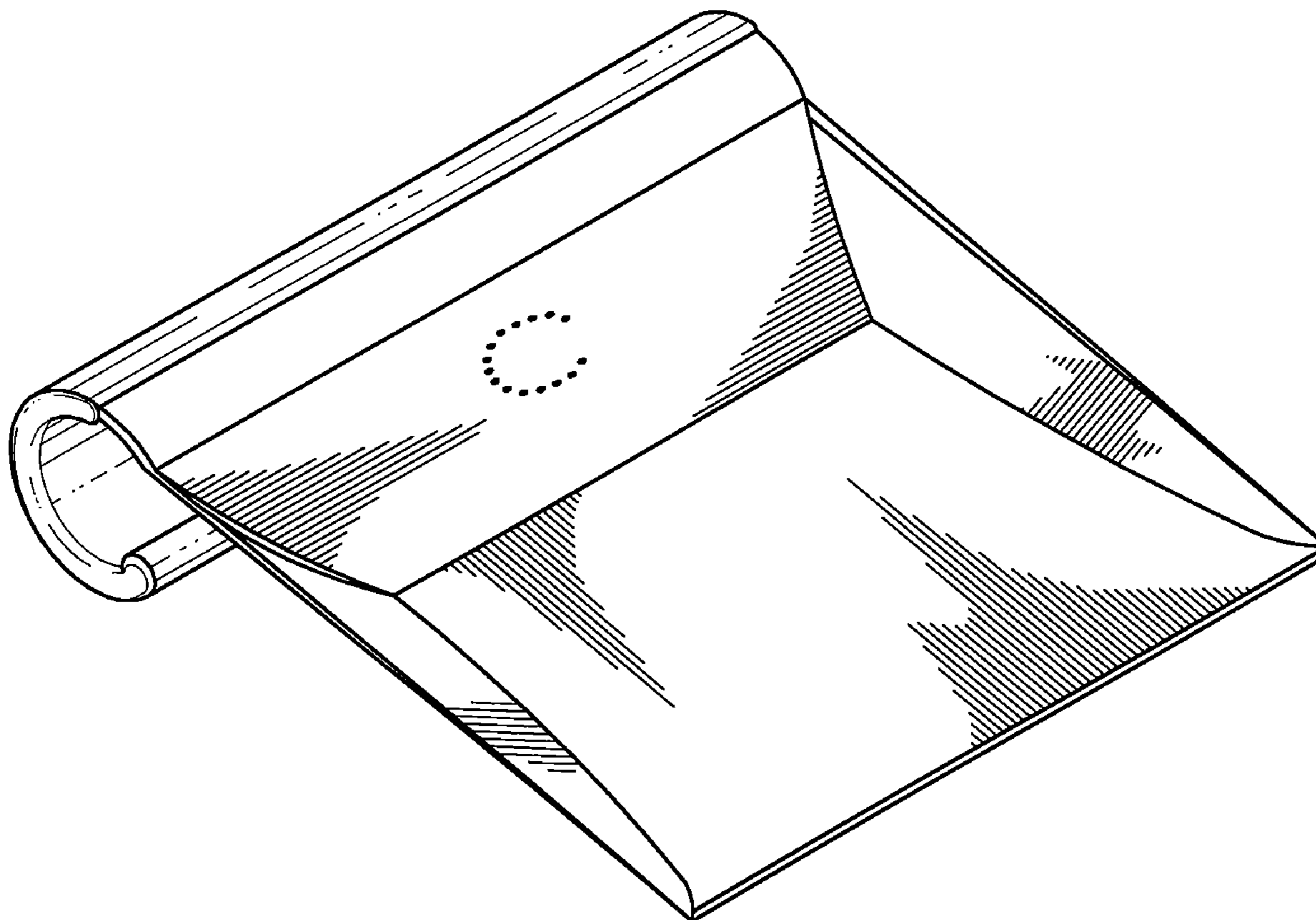
FIG. 3 is a top view thereof.

(56) **References Cited**

U.S. PATENT DOCUMENTS

2,651,925 A * 9/1953 Lawrence 15/257.1

1 Claim, 1 Drawing Sheet



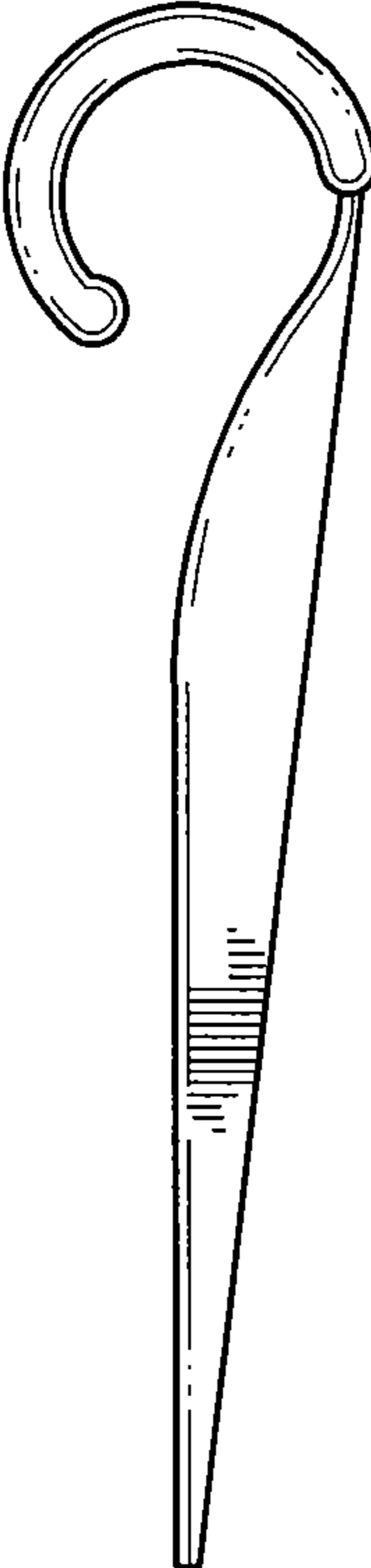


FIG. 1

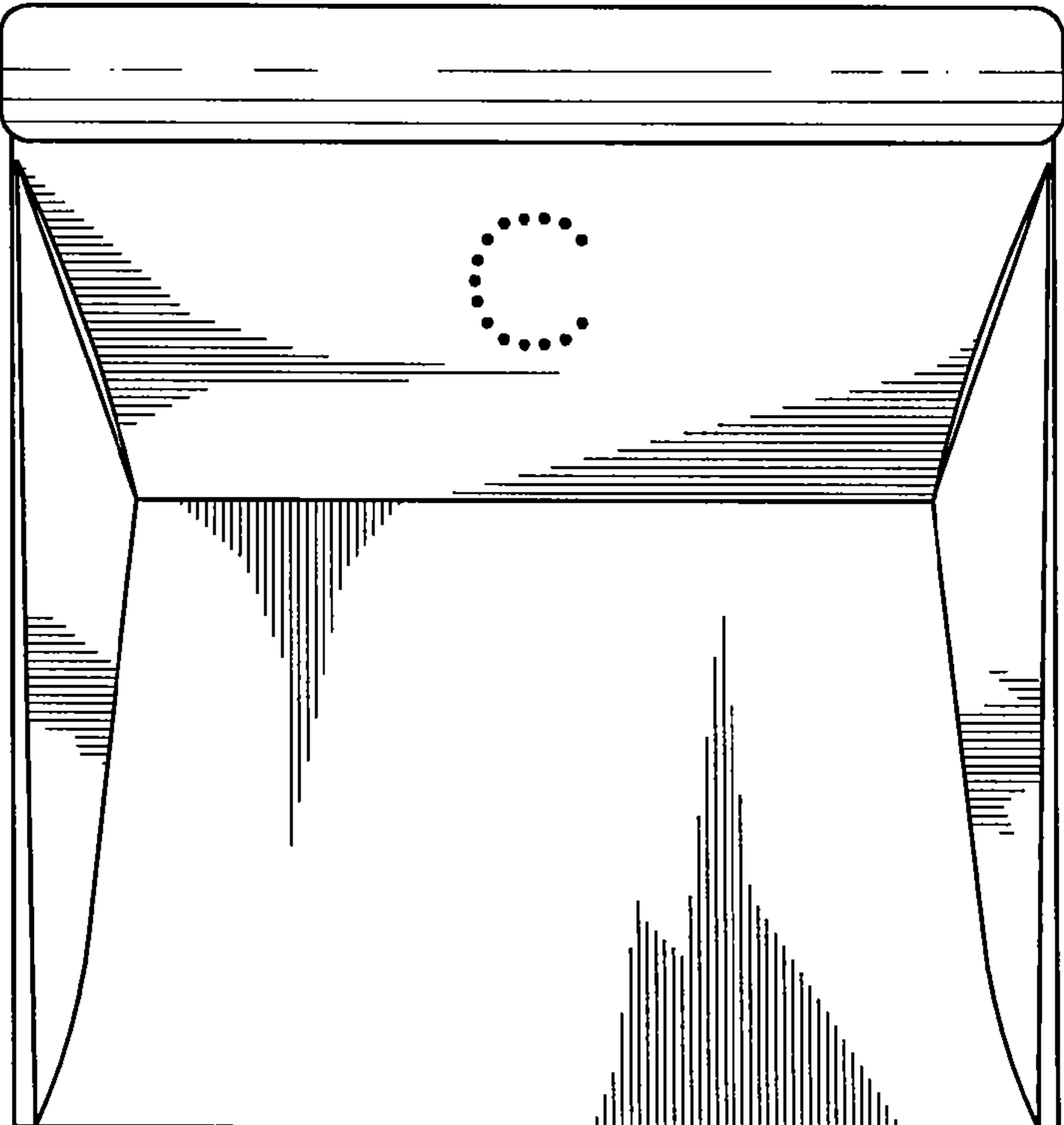


FIG. 3

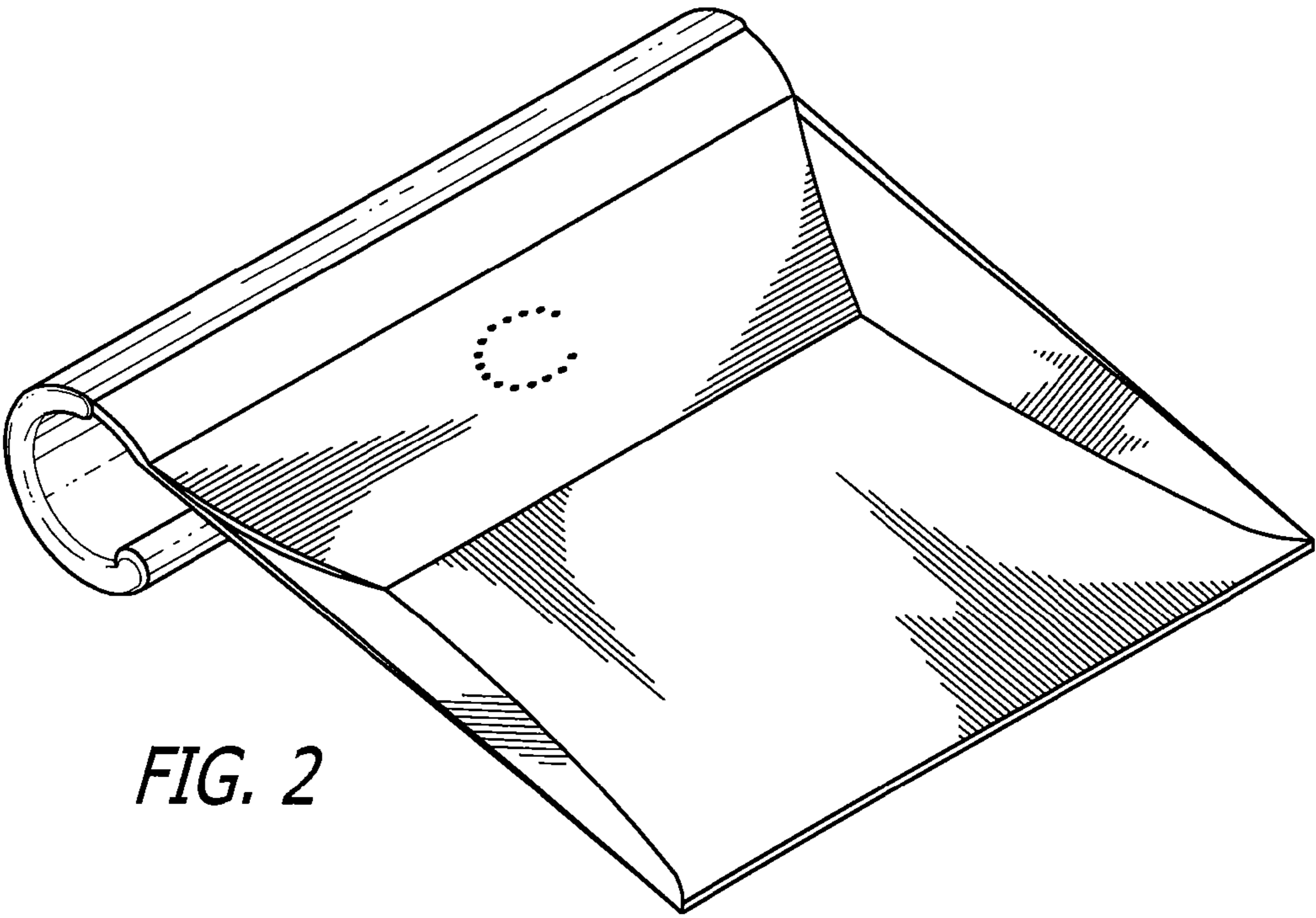


FIG. 2

UNITED STATES PATENT AND TRADEMARK OFFICE
CERTIFICATE OF CORRECTION

PATENT NO. : Des. 599,628 S
APPLICATION NO. : 29/298277
DATED : September 8, 2009
INVENTOR(S) : Harry Pouroundis et al.

Page 1 of 1

It is certified that error appears in the above-identified patent and that said Letters Patent is hereby corrected as shown below:

Title Page, insert--[30] Foreign Application Priority Data Jun 1, 2007 [AU] Australia
18240/2007--.

Signed and Sealed this

Seventh Day of December, 2010

A handwritten signature in black ink that reads "David J. Kappos". The signature is written in a cursive style with a large, prominent "D" and "K".

David J. Kappos
Director of the United States Patent and Trademark Office