



US00D599625S

(12) **United States Design Patent**
Lessells

(10) **Patent No.:** **US D599,625 S**
(45) **Date of Patent:** **** Sep. 8, 2009**

(54) **COMBINED BEVERAGE MUG AND CAN
HOLDER**

D443,183 S * 6/2001 Schlotthauer D7/625
D516,876 S * 3/2006 Smyth D7/625

(76) Inventor: **Doug Lessells**, 4710 Raven Ct., Hilliard,
OH (US) 43026

* cited by examiner

Primary Examiner—Terry A Wallace

(74) *Attorney, Agent, or Firm*—Standley Law Group LLP

(**) Term: **14 Years**

(57) **CLAIM**

(21) Appl. No.: **29/329,990**

The ornamental design for a combined beverage mug and can holder, as shown and described above.

(22) Filed: **Dec. 24, 2008**

(51) **LOC (9) Cl.** **07-01**

(52) **U.S. Cl.** **D7/625; D7/606**

(58) **Field of Classification Search** D7/619.1–625,
D7/605–608, 515; 62/457.1–457.9; 215/12.1,
215/12.2, 13.1; 220/737, 739, 915.1, 915.2,
220/902, 903, 592.17, 592.24

See application file for complete search history.

DESCRIPTION

FIG. 1 is a front perspective view of the combined beverage mug and can holder;

FIG. 2 is a right side elevation view of the FIG. 1 embodiment, the left side view being a mirror image thereof;

FIG. 3 is a front elevation view of the FIG. 1 embodiment;

FIG. 4 is a rear elevation view of the FIG. 1 embodiment;

FIG. 5 is a top plan view of the FIG. 1 embodiment;

FIG. 6 is a bottom plan view of the FIG. 1 embodiment; and,

FIG. 7 is an exploded view corresponding to the right side elevation shown in FIG. 2, showing the parts of the device.

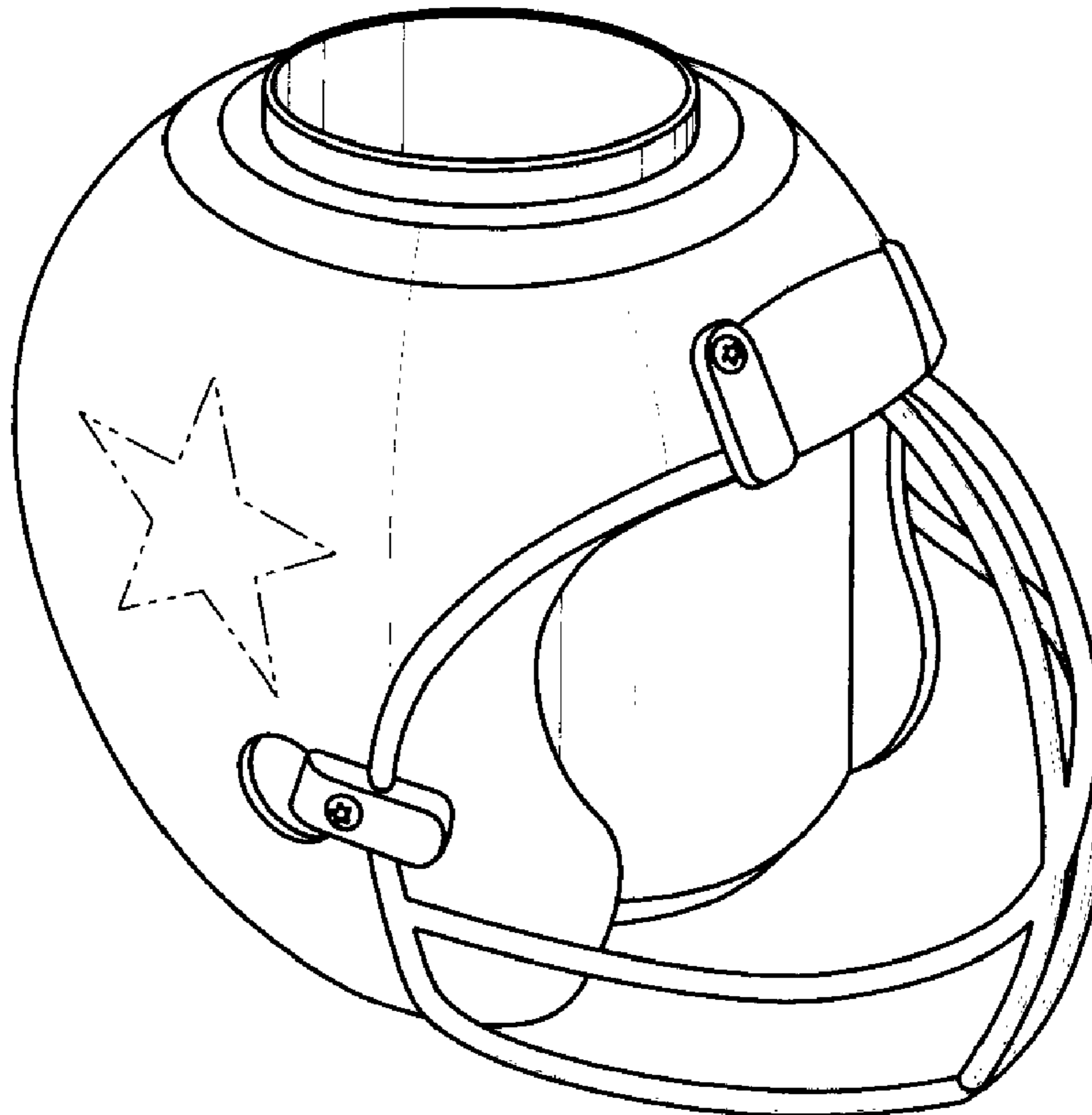
The broken lines are for illustrative purposes only and form no part of the claimed design.

(56) **References Cited**

U.S. PATENT DOCUMENTS

D243,578 S * 3/1977 Danat D7/515
D314,492 S * 2/1991 Weller et al. D7/623
D337,242 S * 7/1993 Steinfels, III D7/623
D349,216 S * 8/1994 Steinfels, III D7/623
D352,211 S * 11/1994 Rucks D7/625
D370,836 S * 6/1996 Van Blankenburg D7/625
D428,309 S * 7/2000 Schlotthauer D7/625

1 Claim, 4 Drawing Sheets



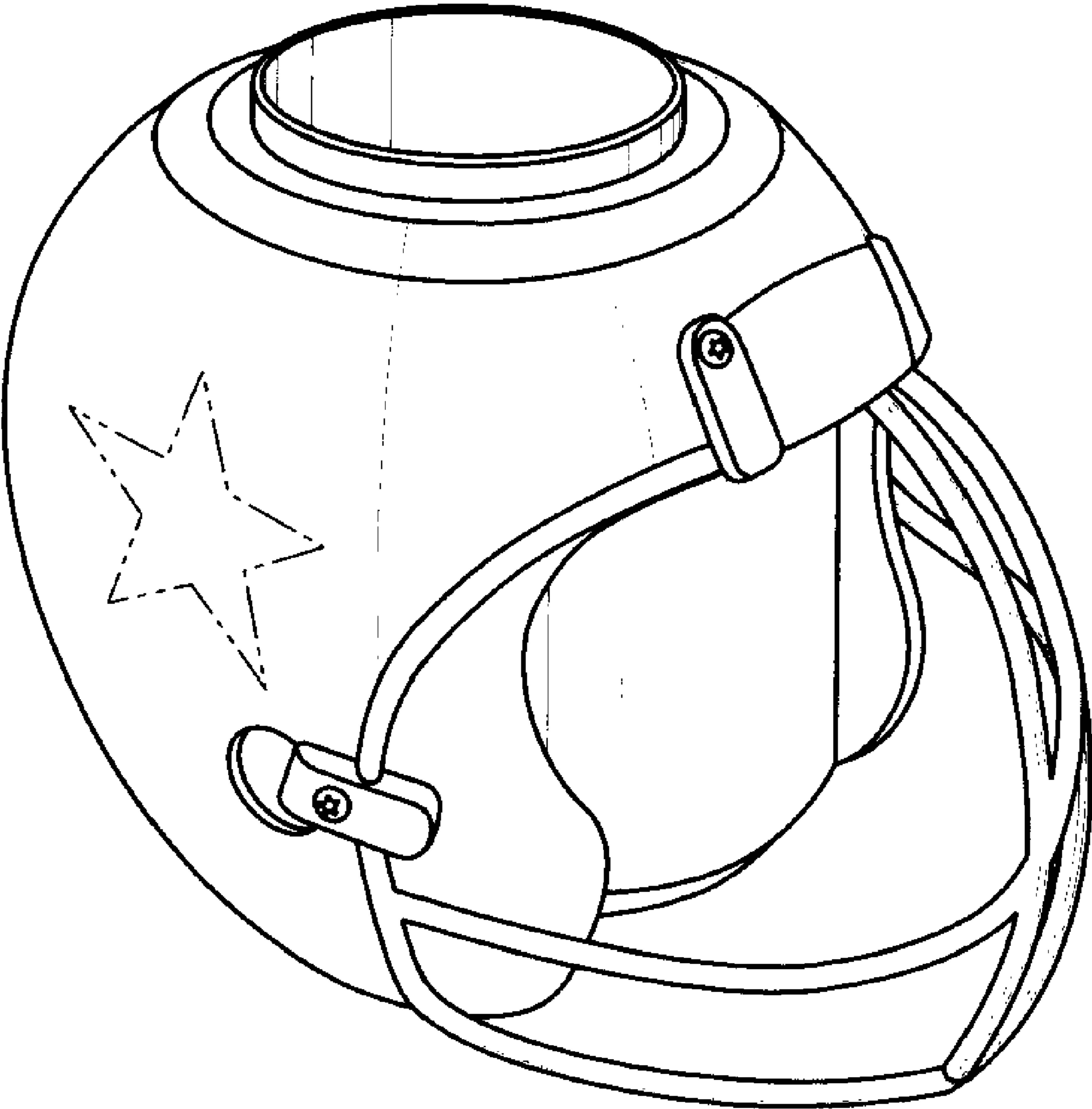


Fig. 1

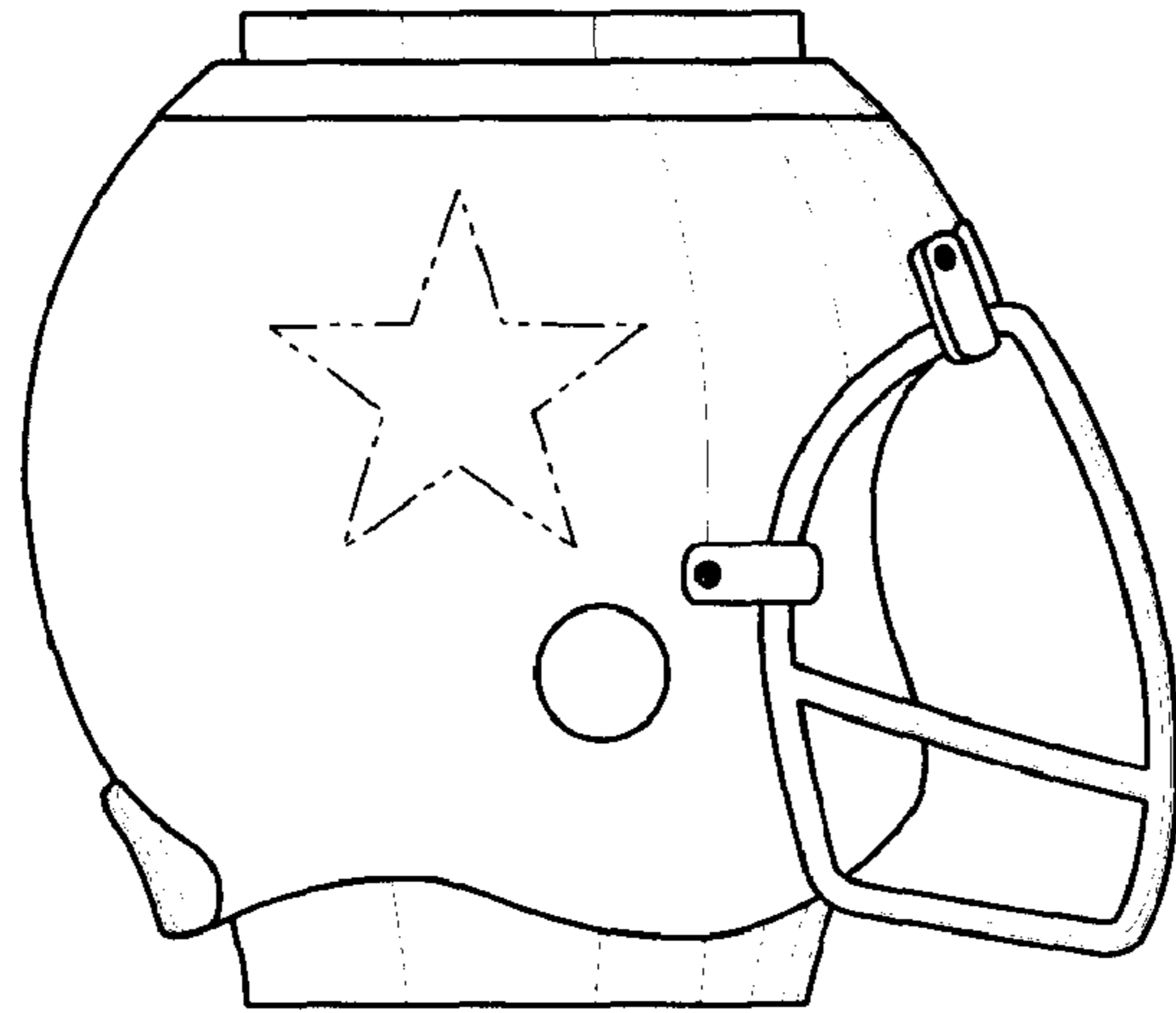


Fig. 2

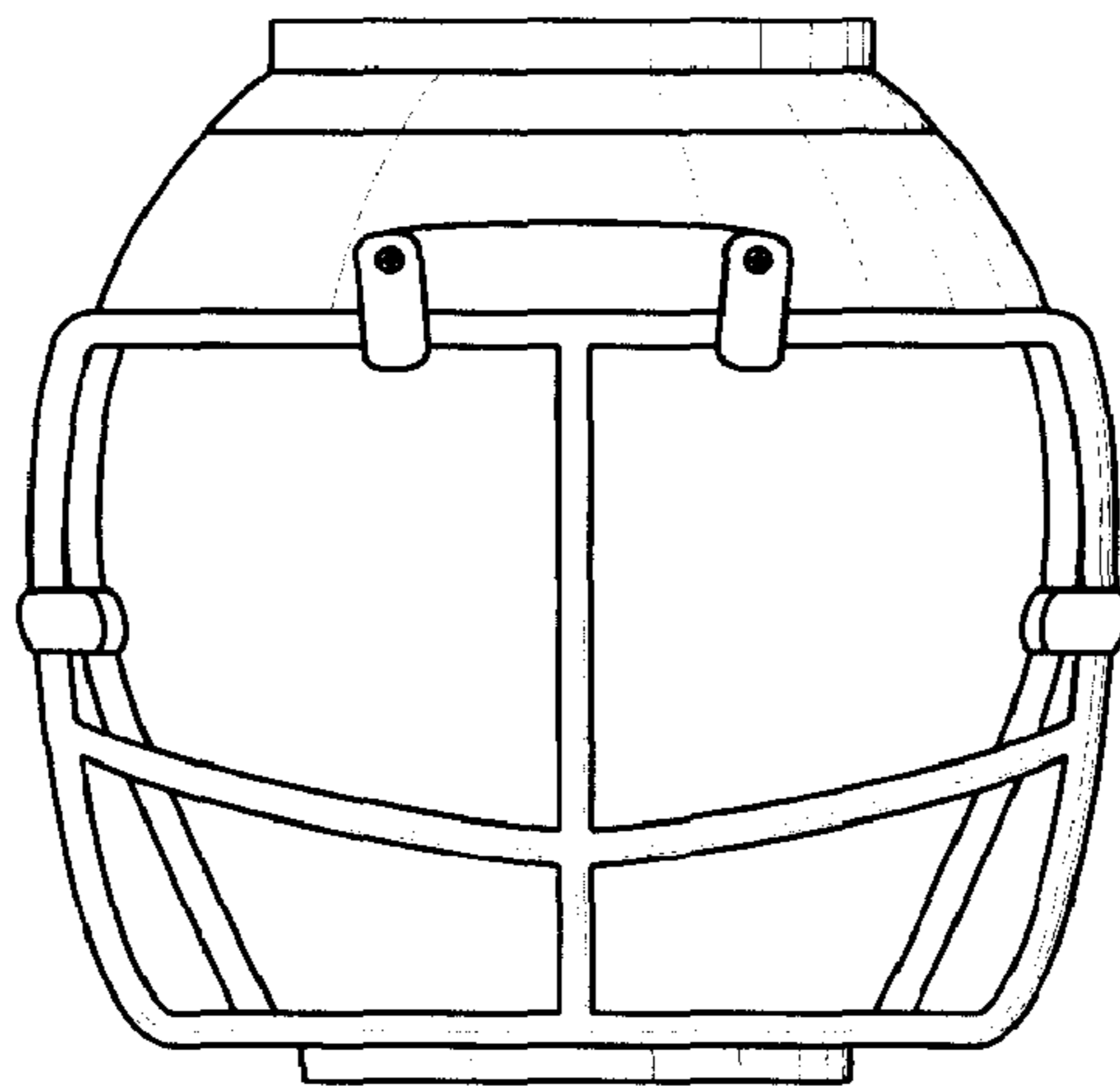


Fig. 3

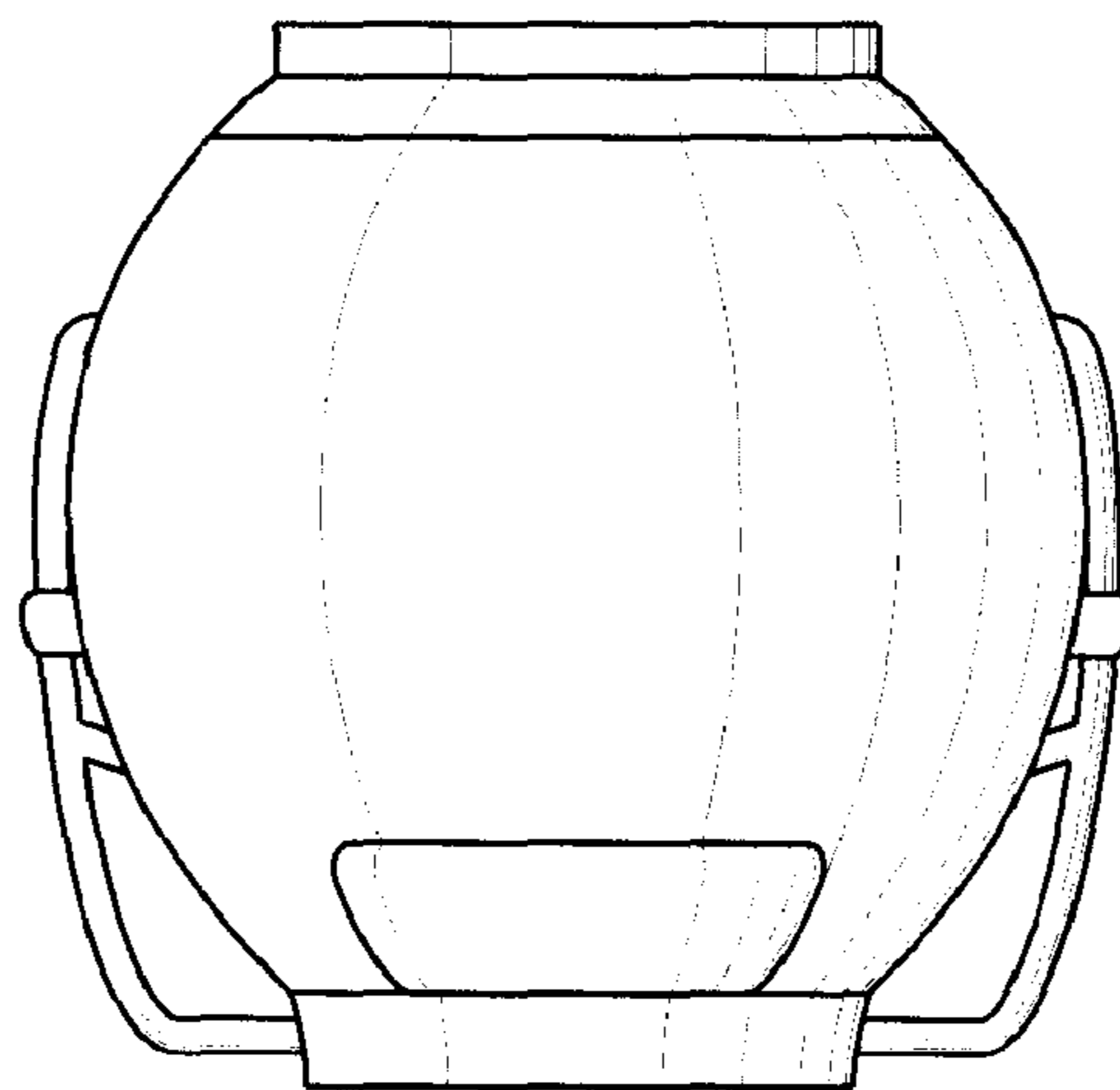


Fig. 4

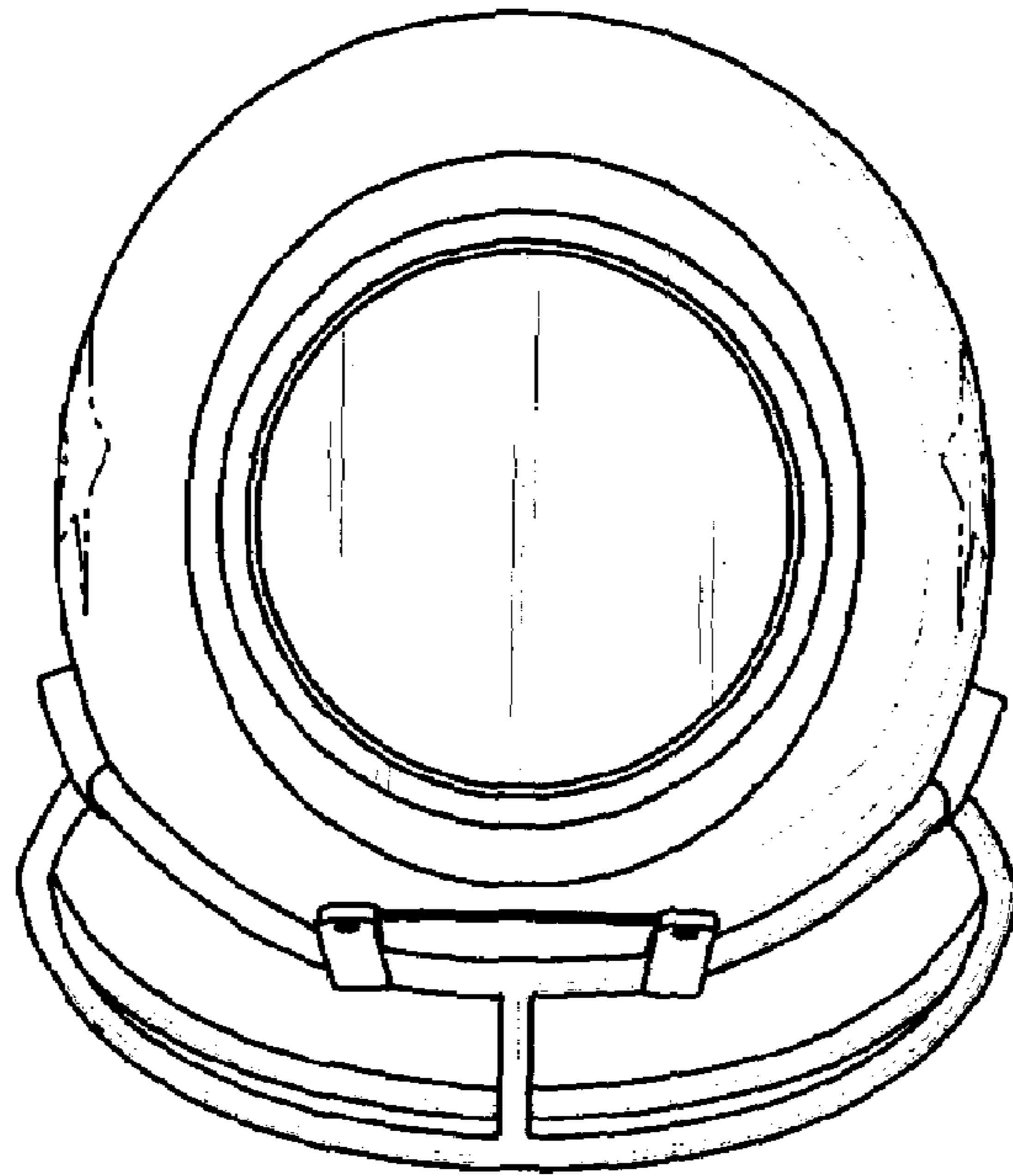


Fig. 5

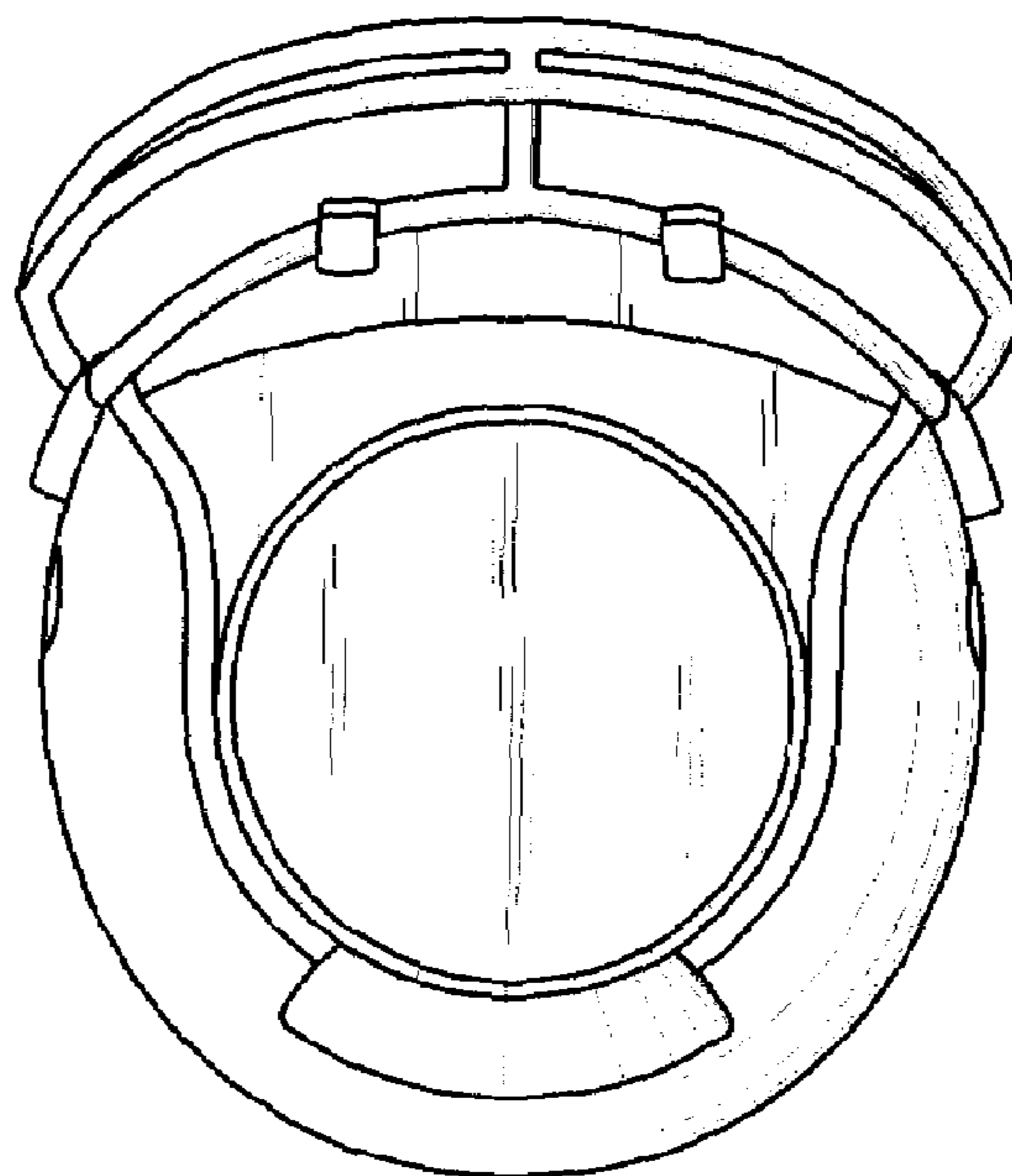


Fig. 6

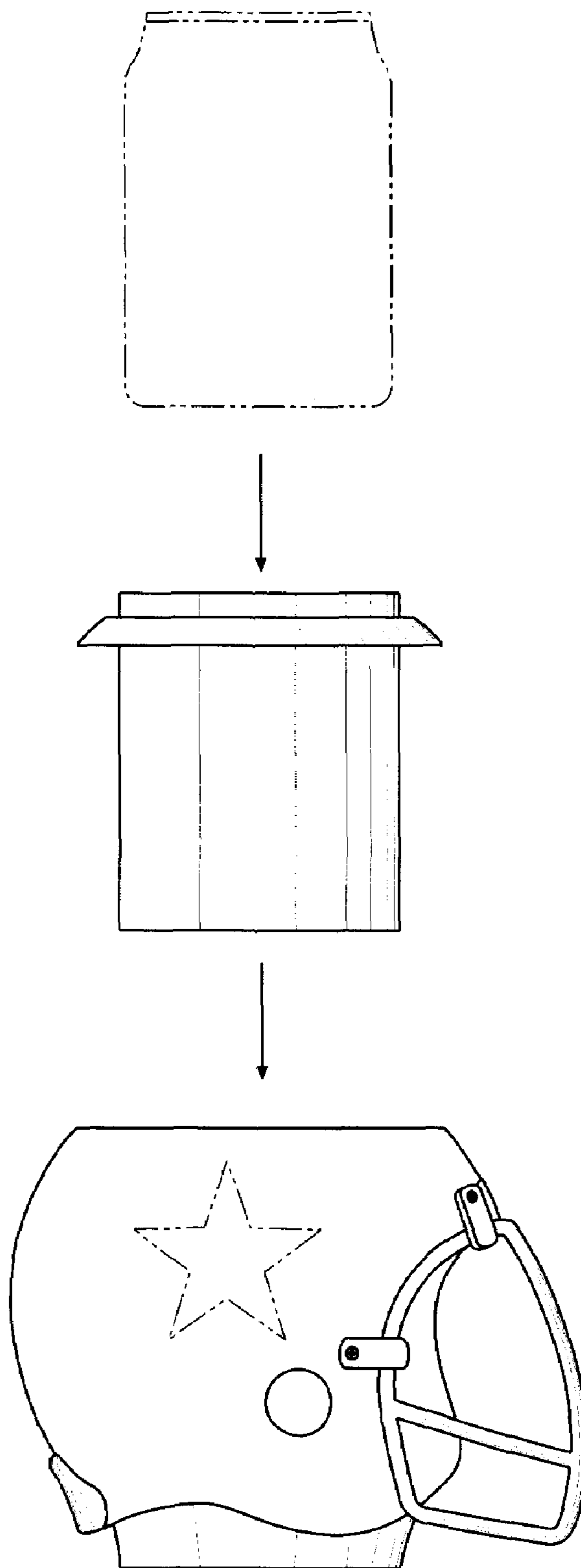


Fig. 7