

US00D599621S

(12) **United States Design Patent**
Poindexter et al.

(10) **Patent No.:** **US D599,621 S**

(45) **Date of Patent:** **** Sep. 8, 2009**

(54) **MUG**

(75) Inventors: **Michael Poindexter**, New York, NY
(US); **Eric Watts**, New York, NY (US)

(73) Assignee: **Punch Products USA, Inc.**, Rahway, NJ
(US)

(**) Term: **14 Years**

(21) Appl. No.: **29/326,655**

(22) Filed: **Oct. 22, 2008**

(51) **LOC (9) Cl.** **07-01**

(52) **U.S. Cl.** **D7/536; D7/532**

(58) **Field of Classification Search** D7/507-515,
D7/523, 531, 532, 536, 533; 220/703, 592.16,
220/592.17, 707, 711; 62/457.3; 215/383
See application file for complete search history.

(56) **References Cited**

U.S. PATENT DOCUMENTS

1,575,870	A *	3/1926	Sehlbach	215/383
D207,962	S *	6/1967	Reifsgaard	D7/536
D216,829	S *	3/1970	Colato	D7/536
D227,556	S *	7/1973	Bagguley et al.	D9/776
D289,937	S *	5/1987	Cleveland, Jr.	D34/39
4,852,757	A *	8/1989	Gold	220/4.03
D330,484	S *	10/1992	Ross	D7/511
5,284,271	A *	2/1994	Ross	220/711
D435,195	S *	12/2000	Joergensen	D7/536

D451,807	S *	12/2001	Goettner	D9/504
D460,661	S *	7/2002	Norris et al.	D7/533
D464,849	S *	10/2002	Norris et al.	D7/523
D482,933	S *	12/2003	Norris et al.	D7/533
D506,643	S *	6/2005	Norris et al.	D7/536
D509,707	S *	9/2005	Tien	D7/510
7,040,218	B1 *	5/2006	Biolchini, Jr.	99/297
D540,647	S *	4/2007	Ireland	D8/98
D569,187	S *	5/2008	Sandberg	D7/523
D571,153	S *	6/2008	Lopez	D7/511

* cited by examiner

Primary Examiner—Marianne Pandozzi

(74) *Attorney, Agent, or Firm*—Baker Botts L.L.P.

(57) **CLAIM**

The ornamental design for a mug, as shown and described.

DESCRIPTION

FIG. 1 is a perspective view of a mug.

FIG. 2 is a front view of the mug of FIG. 1.

FIG. 3 is a rear view of the mug of FIG. 1.

FIG. 4 is a right side view of the mug of FIG. 1.

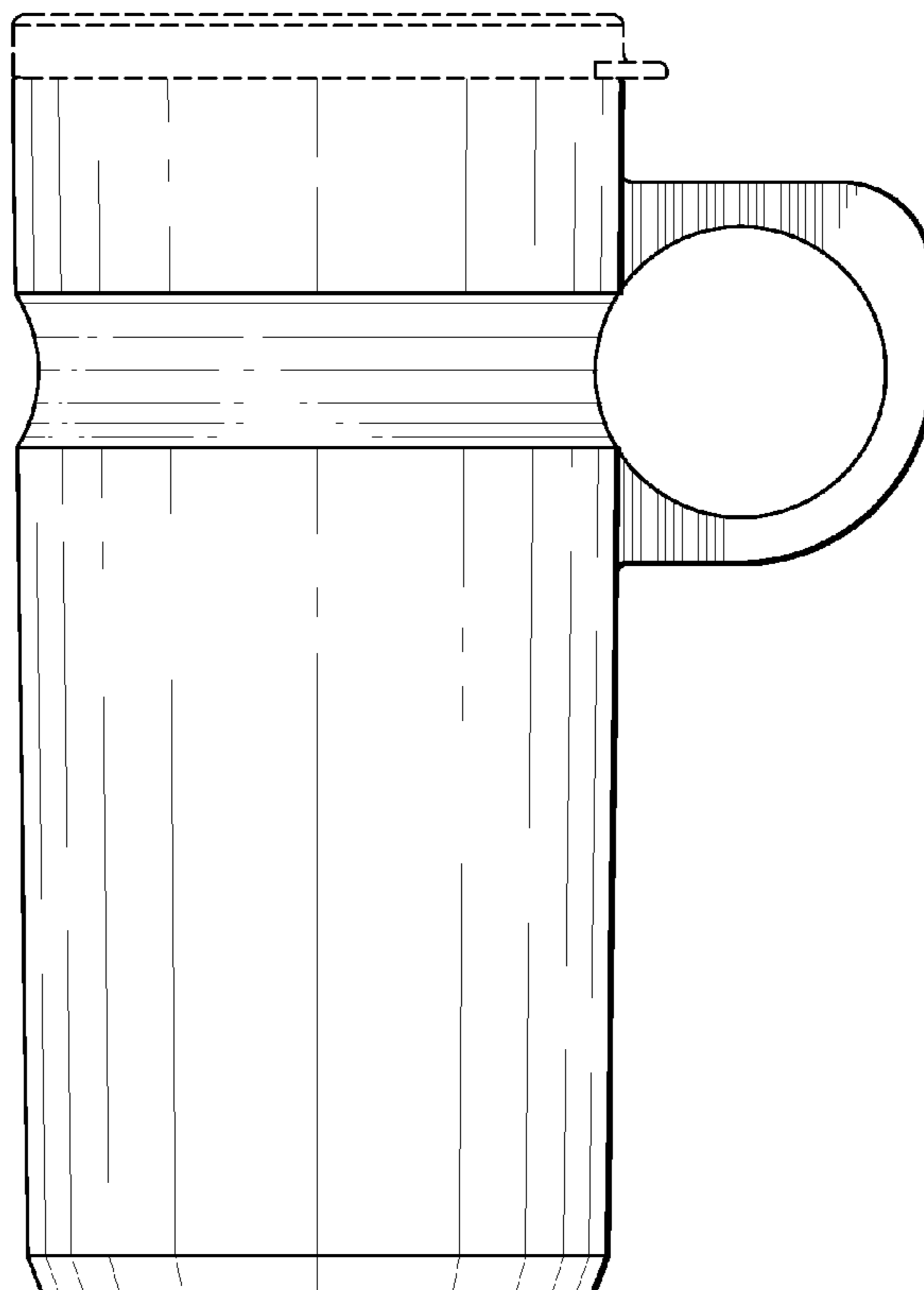
FIG. 5 is a left side view of the mug of FIG. 1.

FIG. 6 is a top view of the mug of FIG. 1; and,

FIG. 7 is a bottom view of the mug of FIG. 1.

The broken lines are provided for illustrative purposes only and form no part of the claimed design.

1 Claim, 6 Drawing Sheets



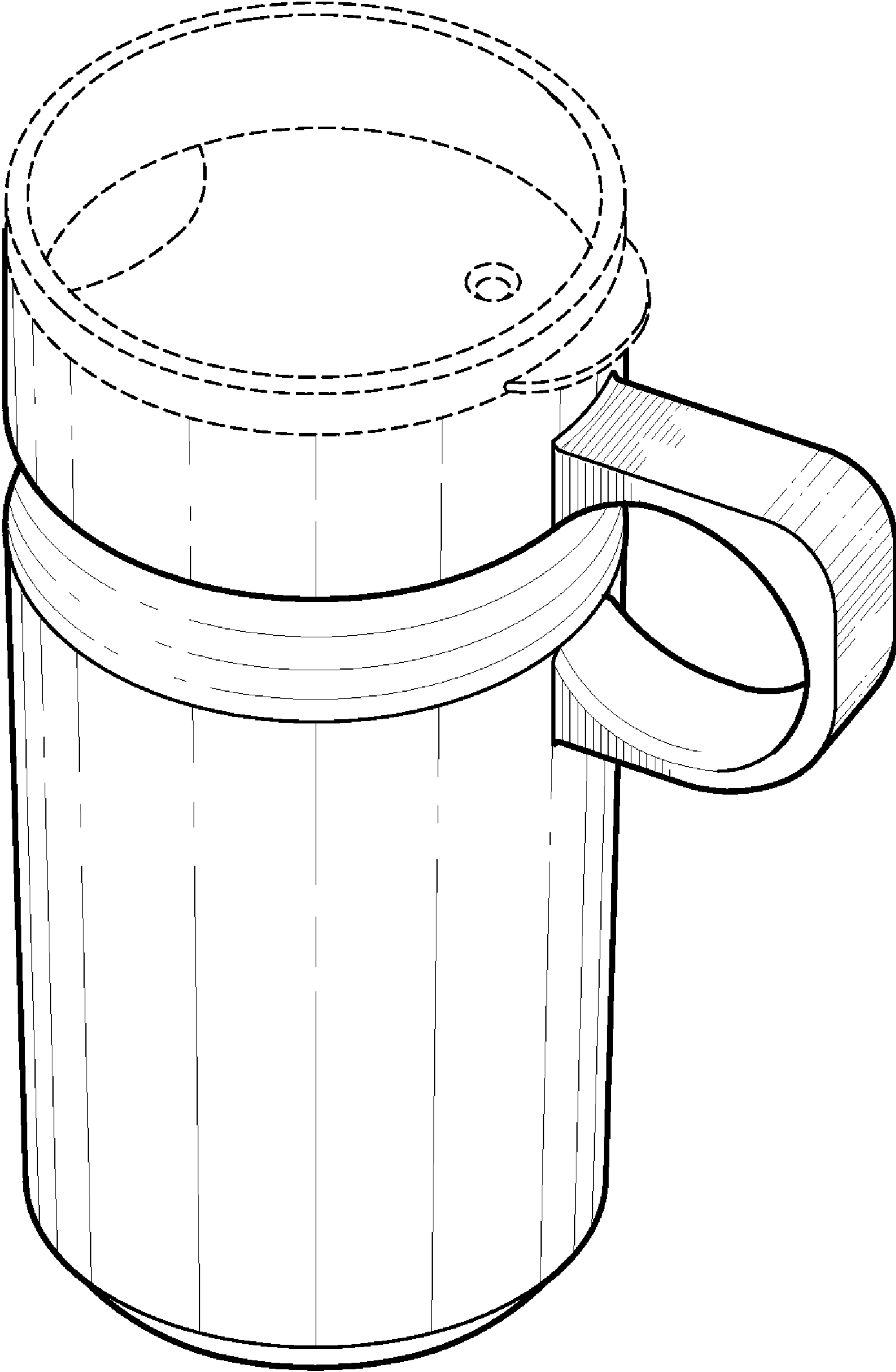


FIG. 1

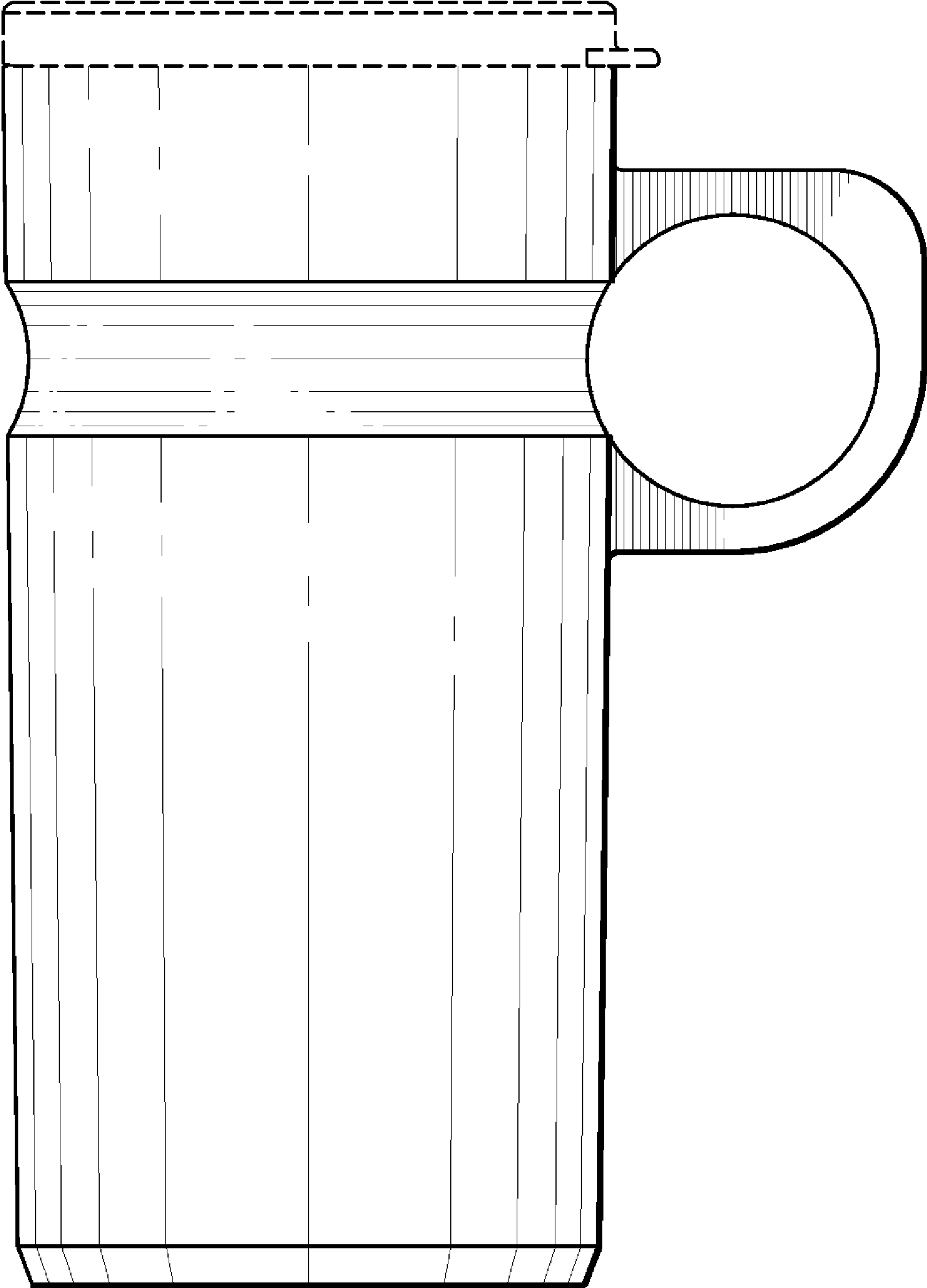


FIG. 2

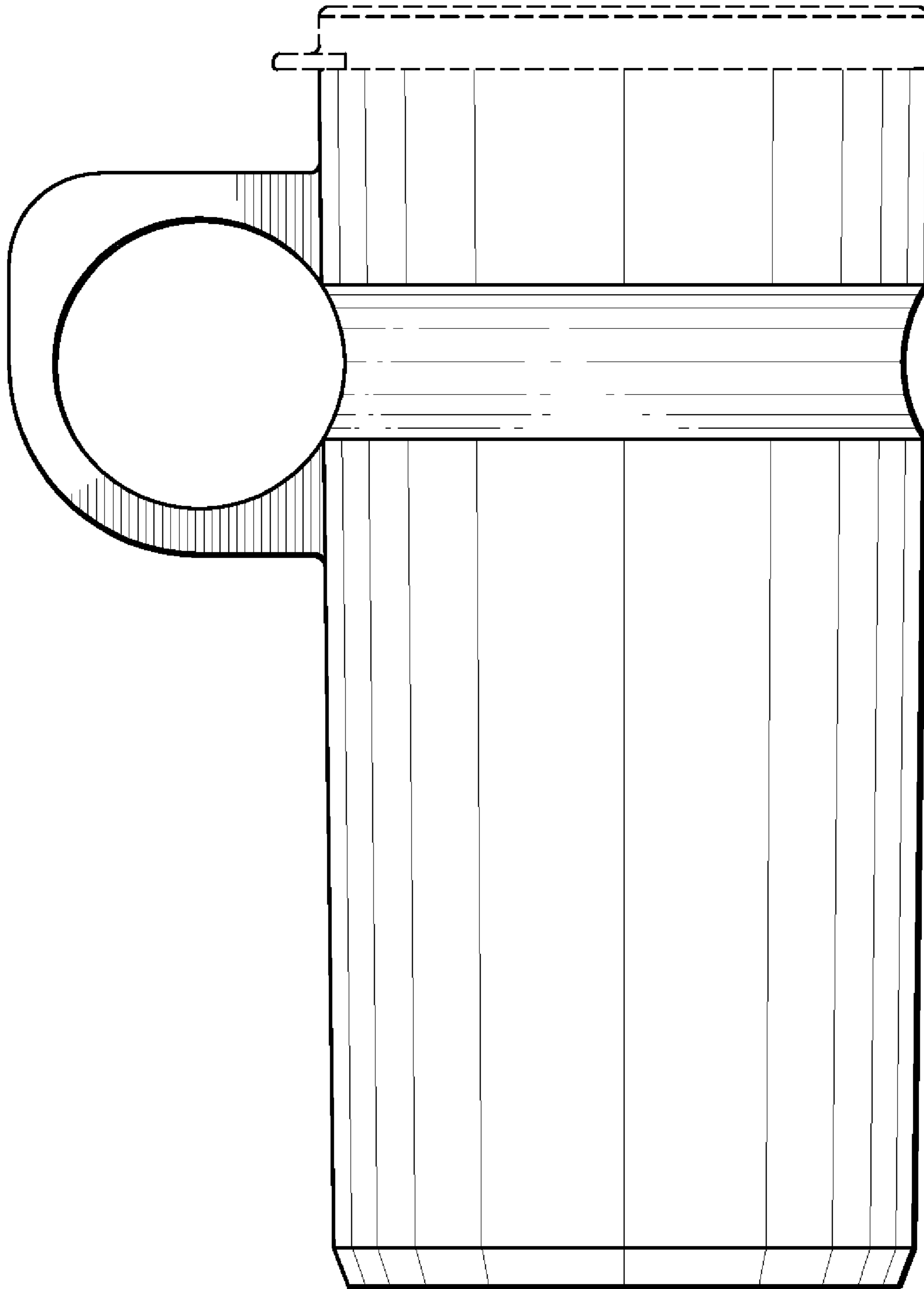


FIG. 3

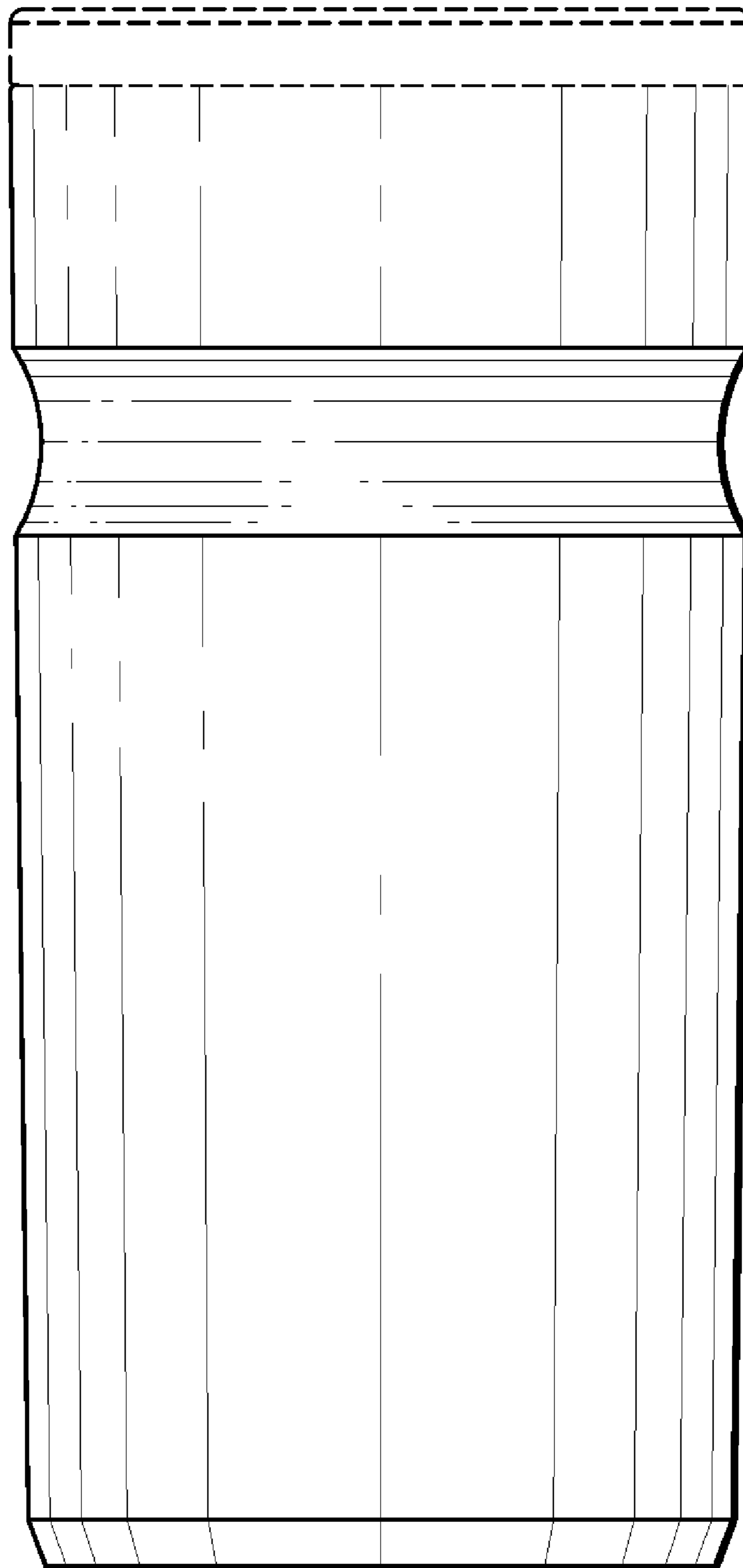


FIG. 4

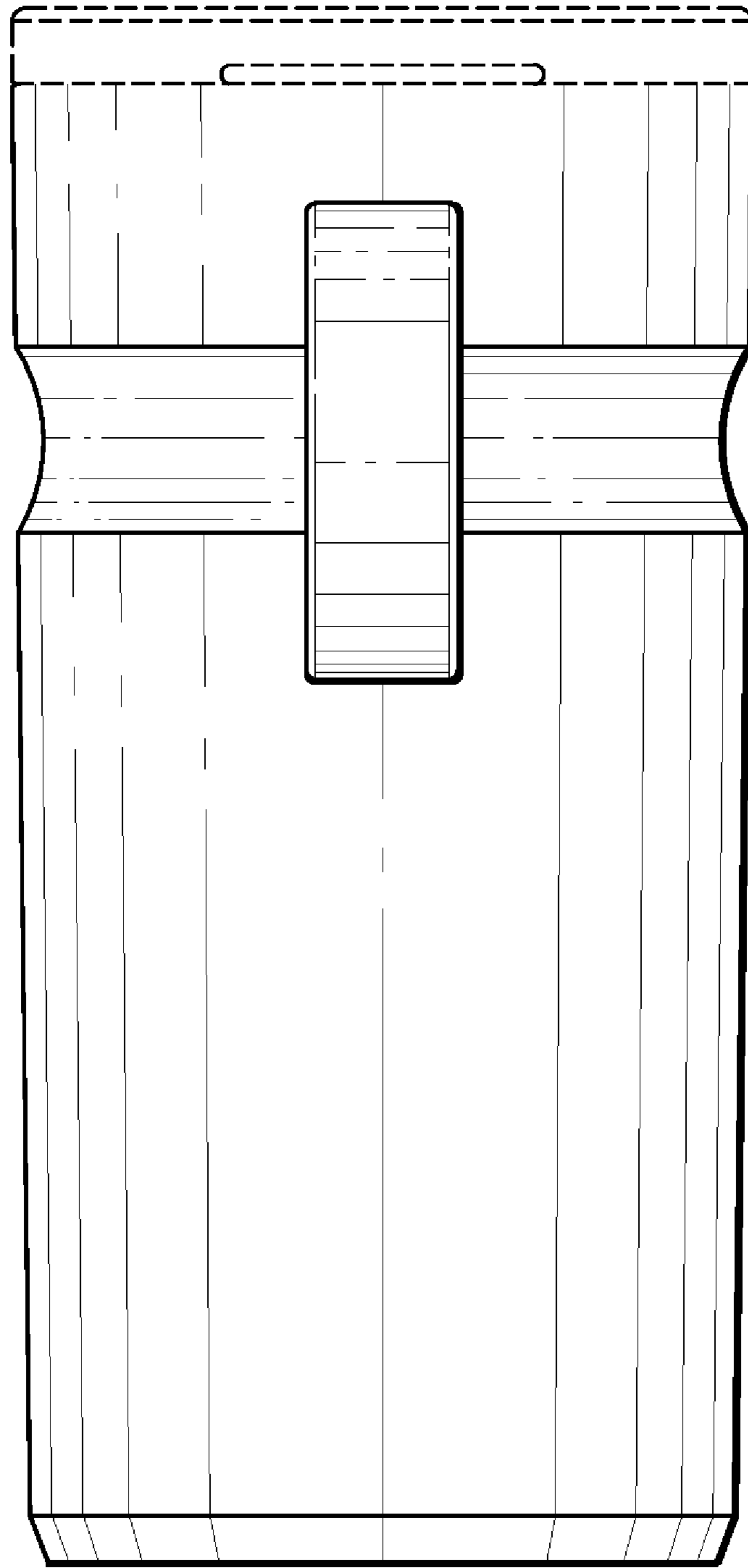


FIG. 5

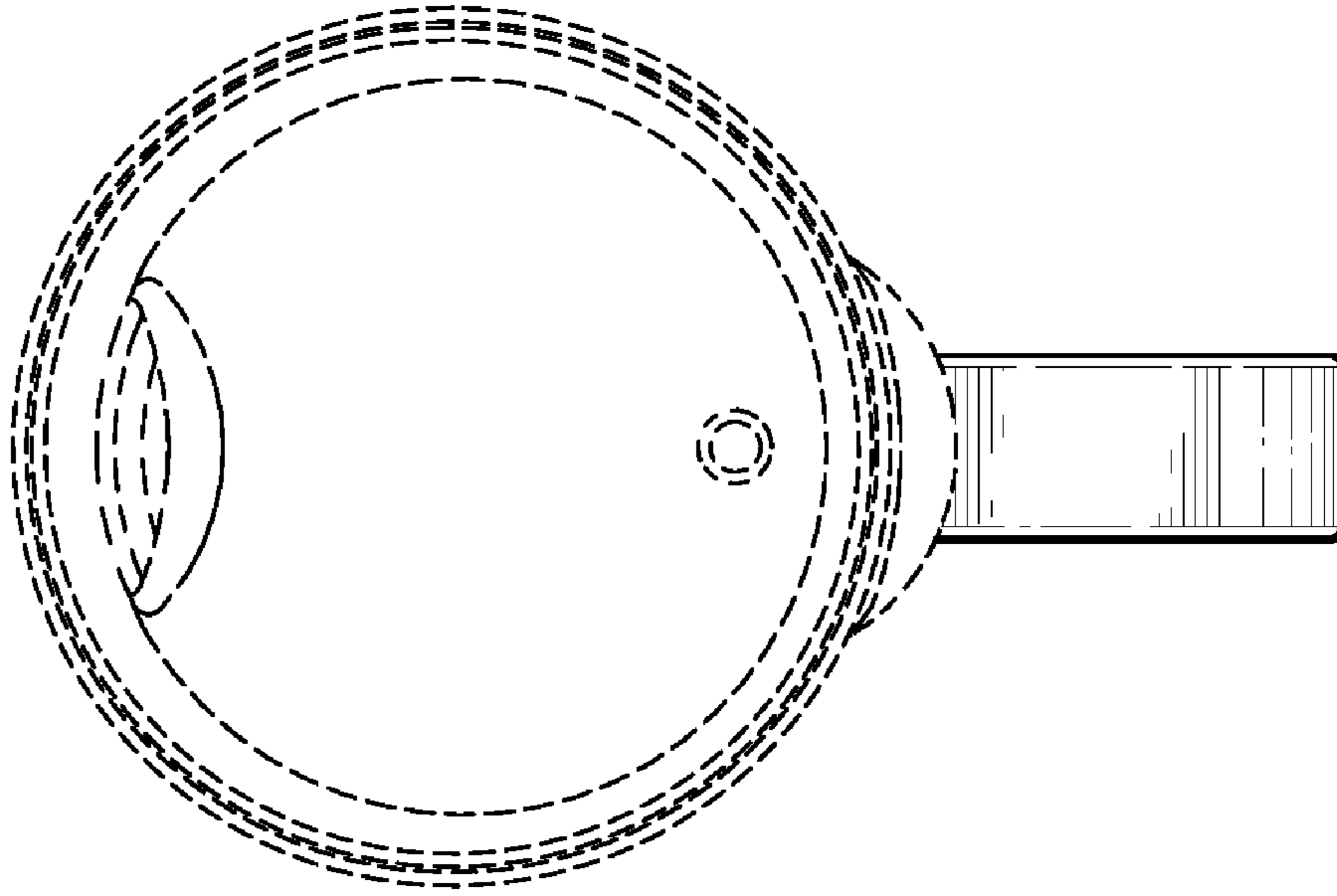


FIG. 6

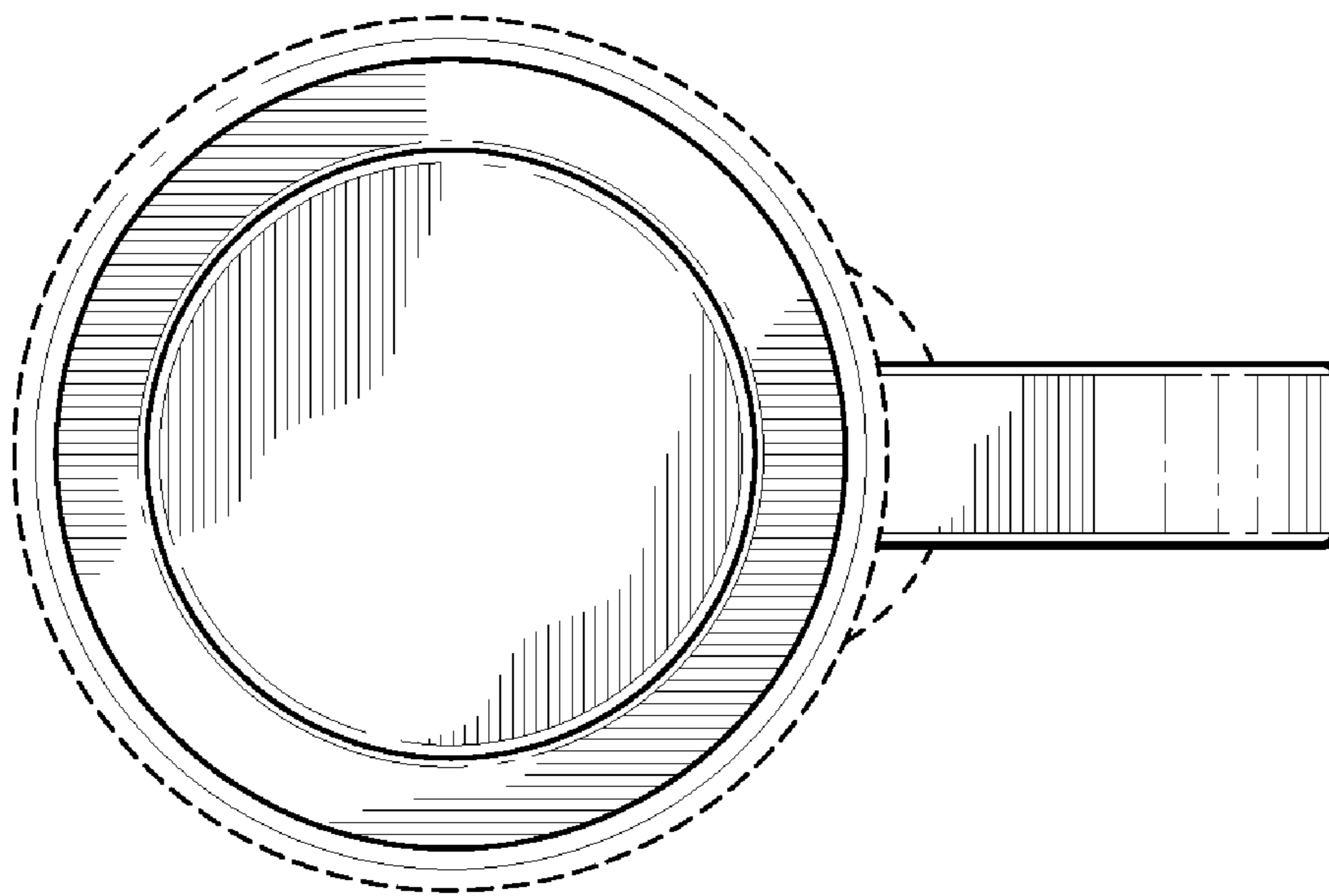


FIG. 7