



US00D599616S

(12) **United States Design Patent**  
**Cresswell et al.**

(10) **Patent No.:** **US D599,616 S**

(45) **Date of Patent:** **\*\* Sep. 8, 2009**

(54) **CHILD BOTTLE CAP WITH SPOUT AND COVER FOR STAINLESS STEEL BOTTLE**

(76) Inventors: **Jeff Cresswell**, 4345 Hedsstrom Way, Chico, CA (US) 95927; **Donald G Carlson**, 183 Sycamore Valley Rd., Chico, CA (US) 95973; **Chris Kalberer**, 4345 Hedstrom Way, Chico, CA (US) 95927

(\*\*) Term: **14 Years**

(21) Appl. No.: **29/326,934**

(22) Filed: **Oct. 28, 2008**

(51) **LOC (9) Cl.** ..... **07-02**

(52) **U.S. Cl.** ..... **D7/392.1; D7/396.2**

(58) **Field of Classification Search** ..... D7/509-511, D7/516, 534, 392, 392.1, 296.1, 900; D9/440, D9/446, 447; D24/197-199; 220/295, 301, 220/361, 603, 710.5, 713-715, 717, 719, 220/721; 215/11.1, 11.4, 11.6, 354, 396, 215/398, 902

See application file for complete search history.

(56) **References Cited**

**U.S. PATENT DOCUMENTS**

- D315,213 S \* 3/1991 Ohnuki ..... D9/533
- D369,943 S \* 5/1996 Dark ..... D7/392.1
- D375,019 S \* 10/1996 Goto et al. .... D7/392.1
- D387,247 S \* 12/1997 Randolph ..... D7/510
- D397,906 S \* 9/1998 Briggs et al. .... D7/392.1
- D430,455 S \* 9/2000 Pickens ..... D7/392.1
- D434,944 S \* 12/2000 Randolph ..... D7/510
- D446,685 S \* 8/2001 Atkin et al. .... D7/510

- D457,778 S \* 5/2002 Randolph et al. .... D7/392.1
- D461,361 S \* 8/2002 Orr et al. .... D7/392.1
- D476,890 S \* 7/2003 Hirose ..... D9/440
- D520,809 S \* 5/2006 Randolph et al. .... D7/392.1
- D584,103 S \* 1/2009 Valderrama et al. .... D7/392.1

\* cited by examiner

*Primary Examiner*—Holly H Baynham

*Assistant Examiner*—Cynthia M Chin

(57) **CLAIM**

The ornamental design for a child bottle cap with spout and cover for stainless steel bottle, as shown and described.

**DESCRIPTION**

FIG. 1 is a front elevational view of the assembled child bottle cap with spout and cover for stainless steel bottle;

FIG. 2 is a side elevational view of the assembled child bottle cap with spout and cover for stainless steel bottle;

FIG. 3 is a top plan view of the assembled child bottle cap with spout and cover for stainless steel bottle;

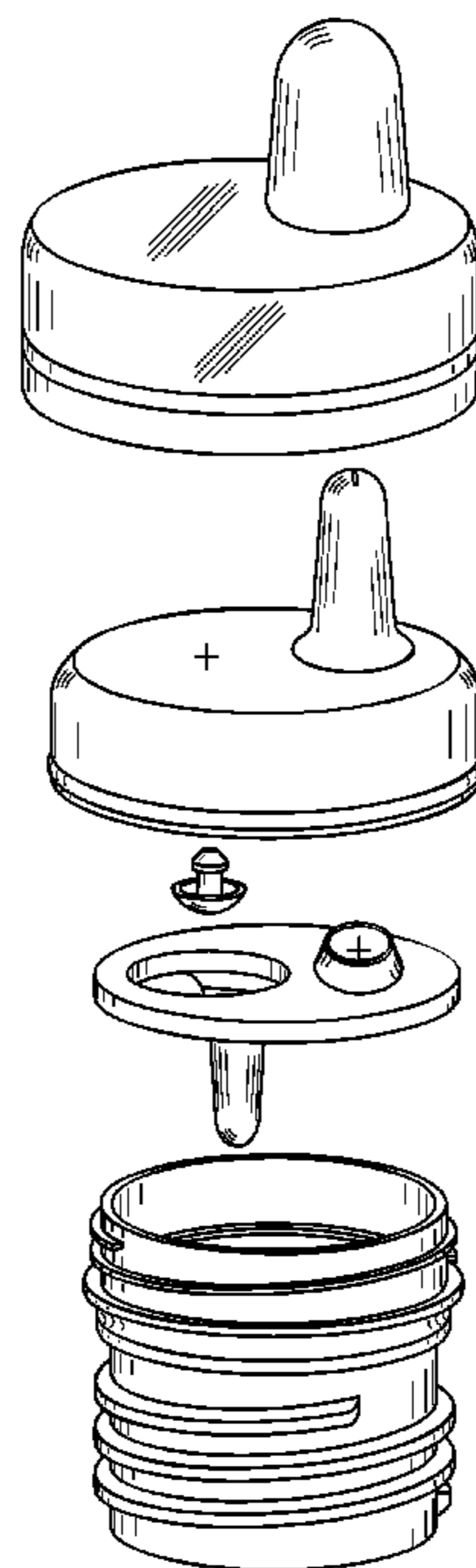
FIG. 4 is a bottom plan view of the assembled child bottle cap with spout and cover for stainless steel bottle;

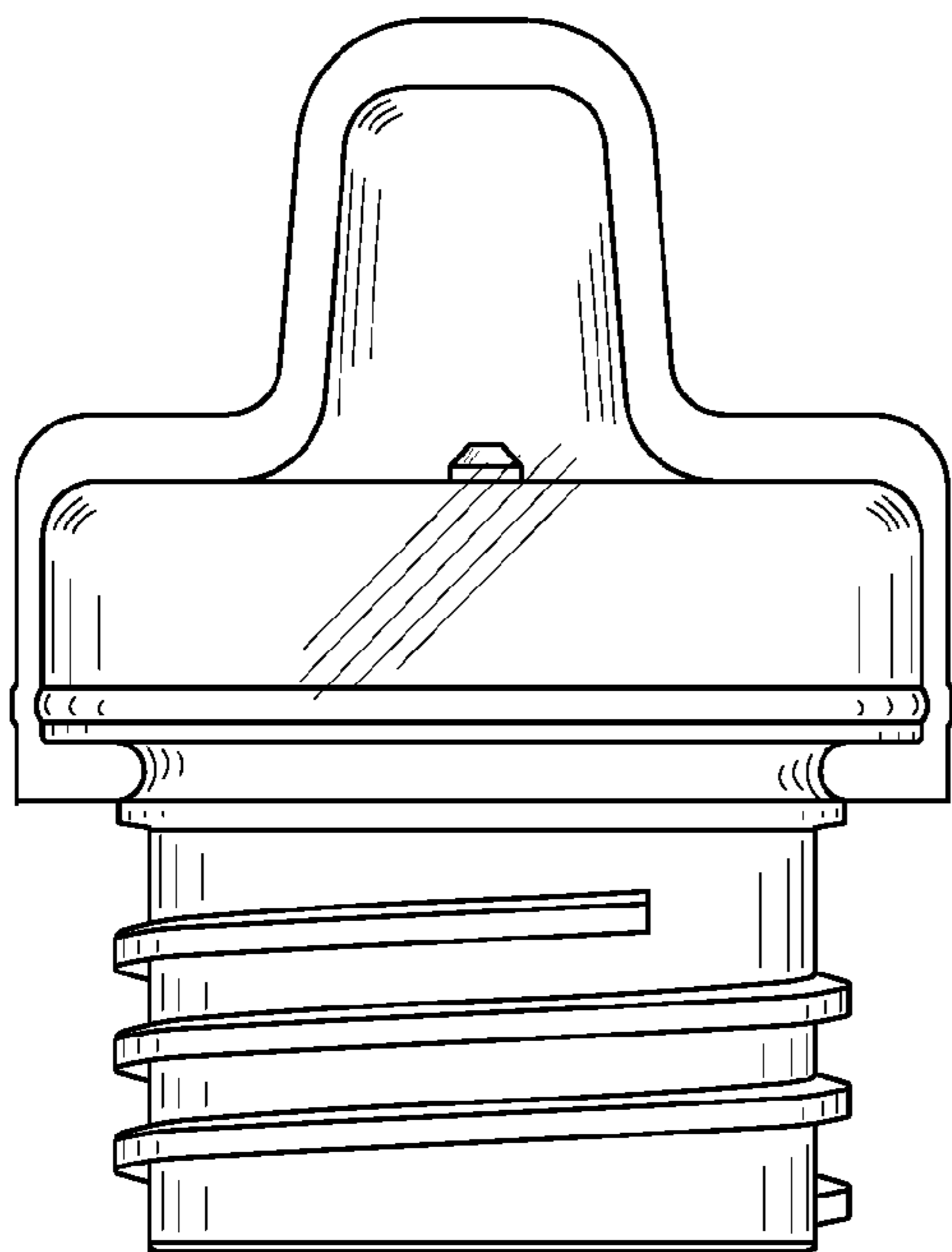
FIG. 5 is an exploded perspective view of the aligned parts of the child bottle cap with spout and cover for stainless steel bottle;

FIG. 6 is an exploded front elevational view of the aligned parts of the child bottle cap with spout and cover for stainless steel bottle; and,

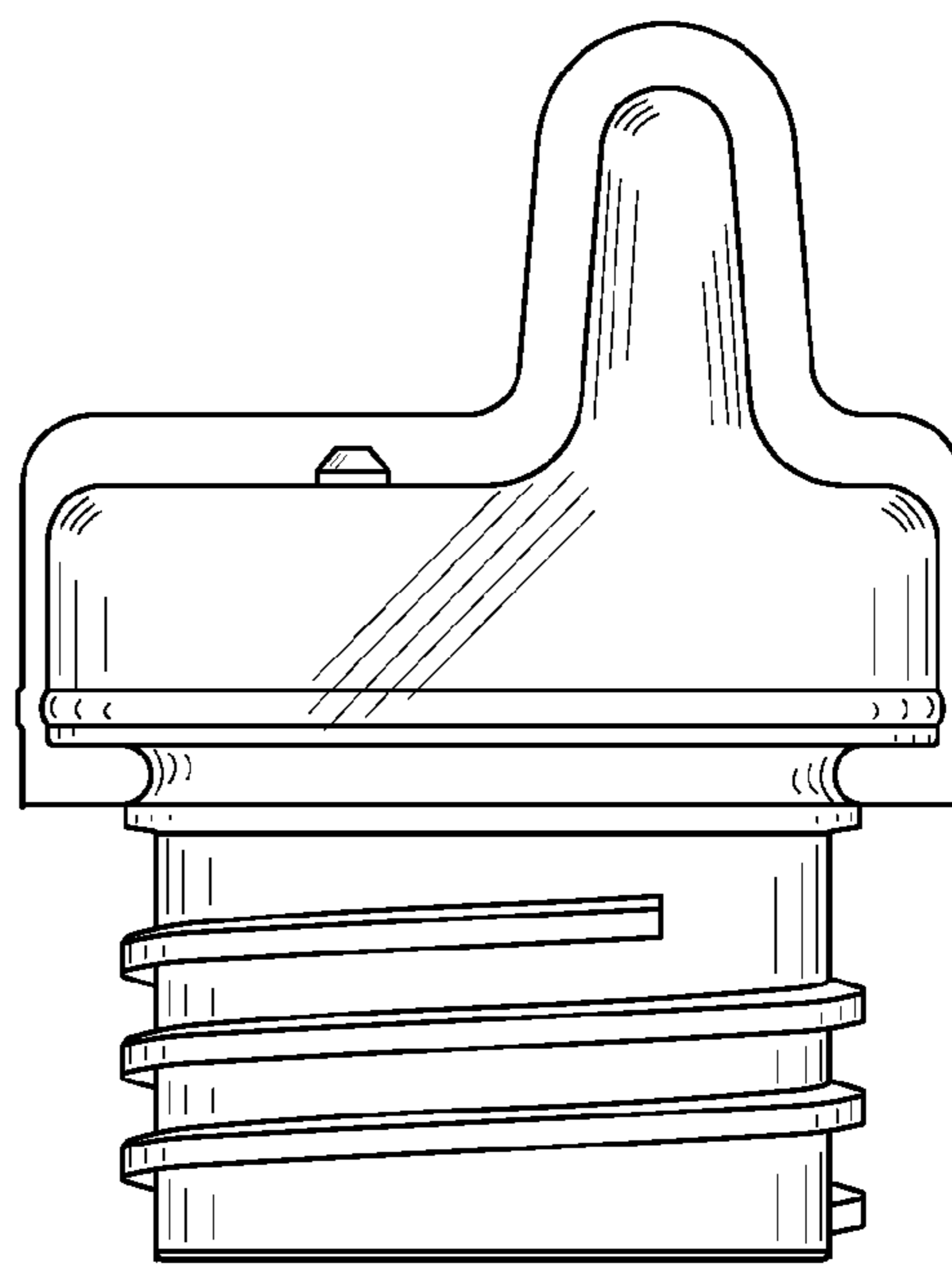
FIG. 7 is an exploded side elevational view of the aligned parts of the child bottle cap with spout and cover for stainless steel bottle.

**1 Claim, 4 Drawing Sheets**

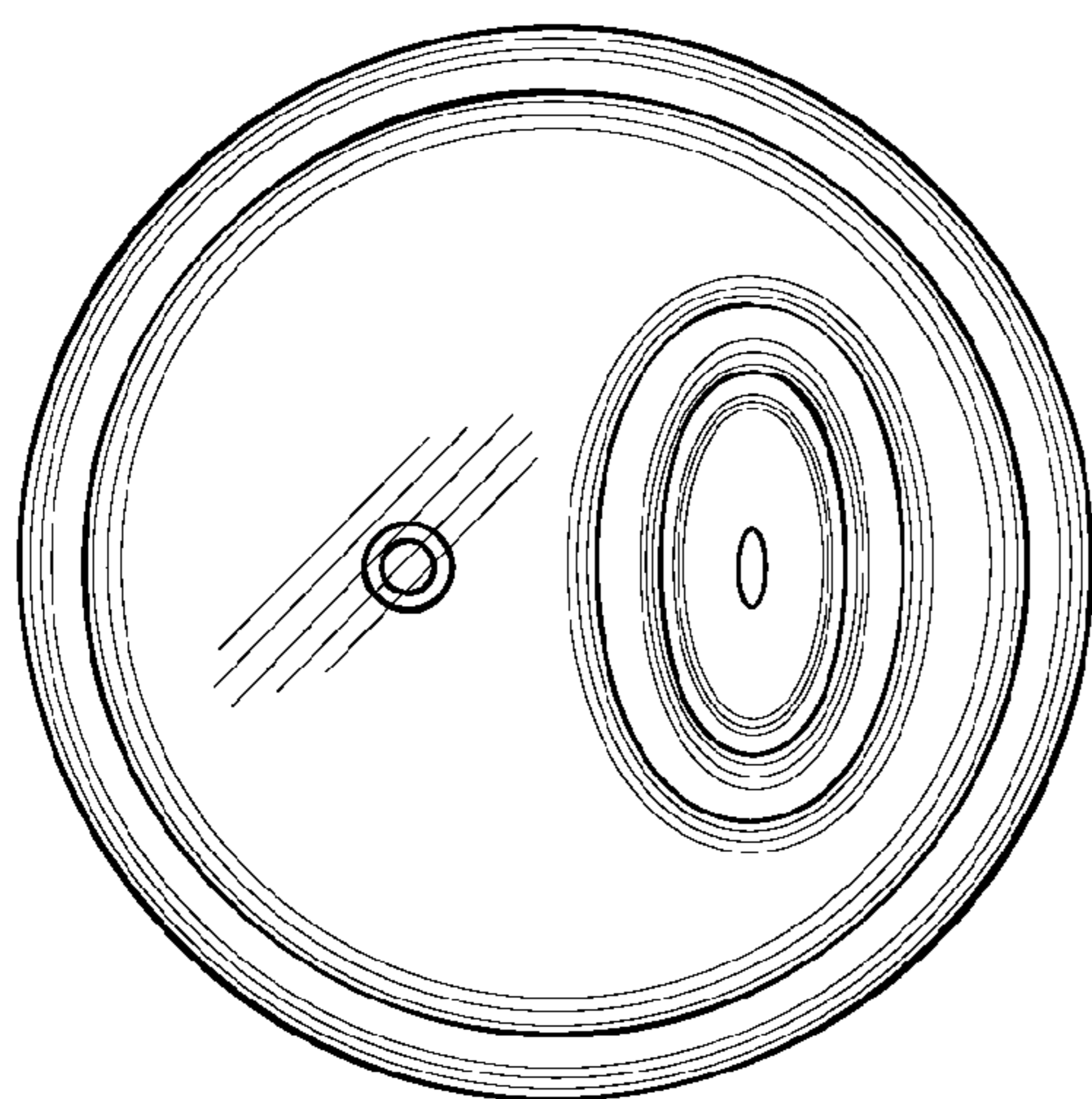




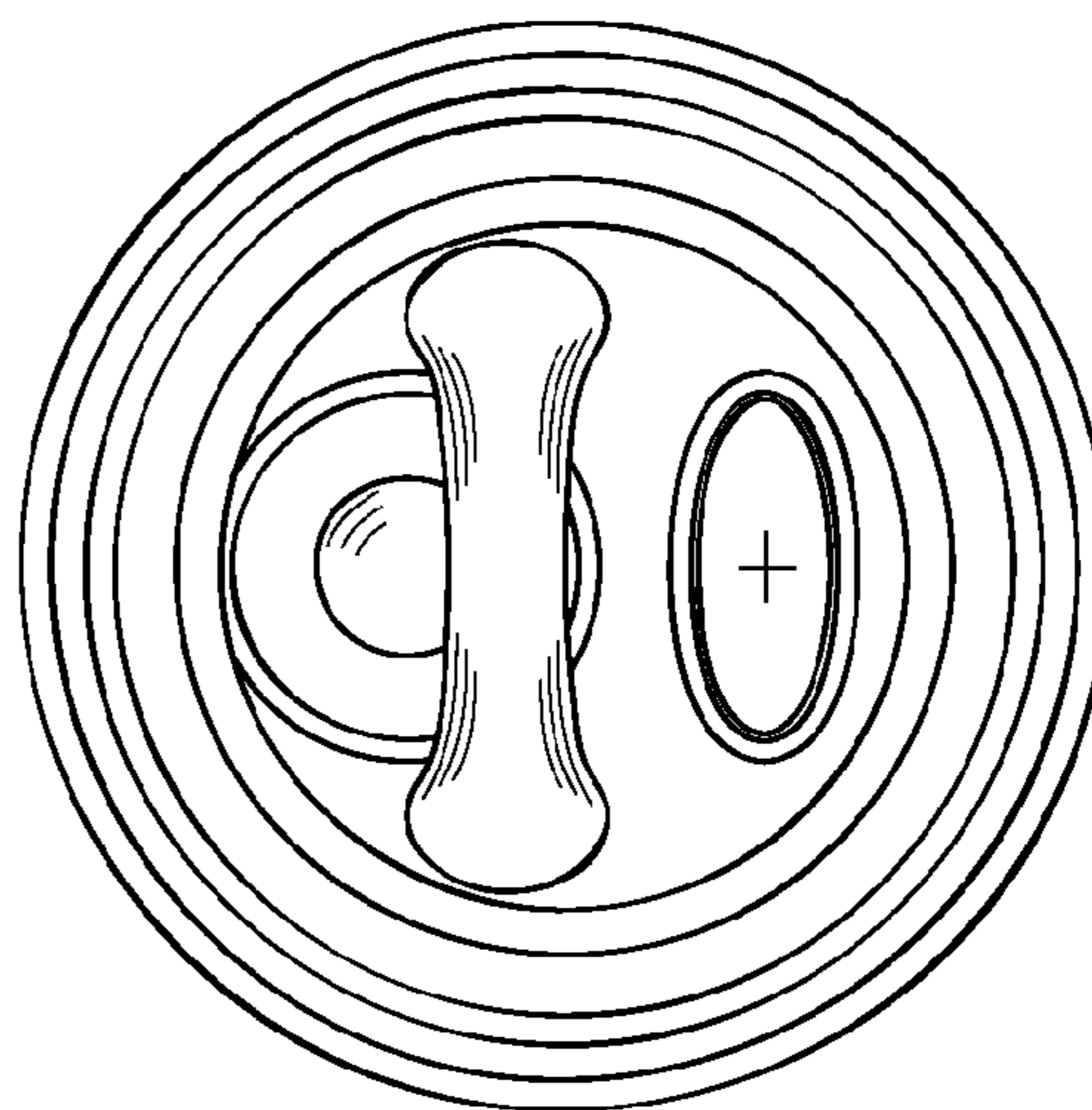
**FIG. 1**



**FIG. 2**

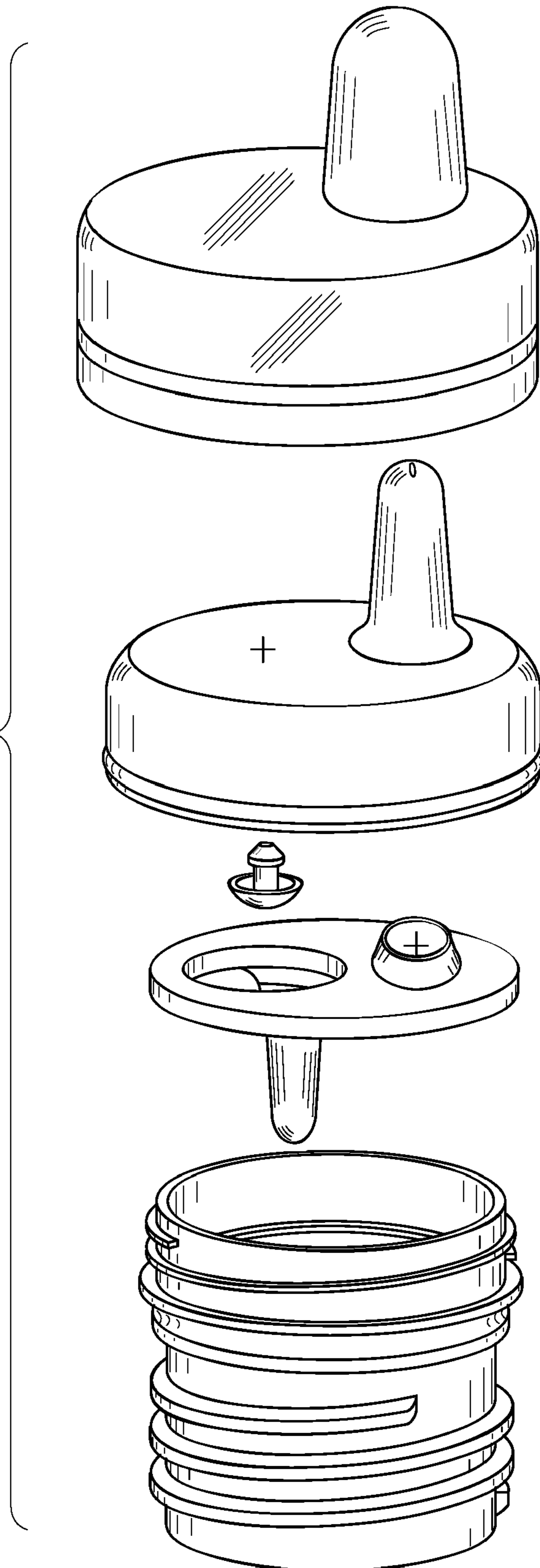


**FIG. 3**

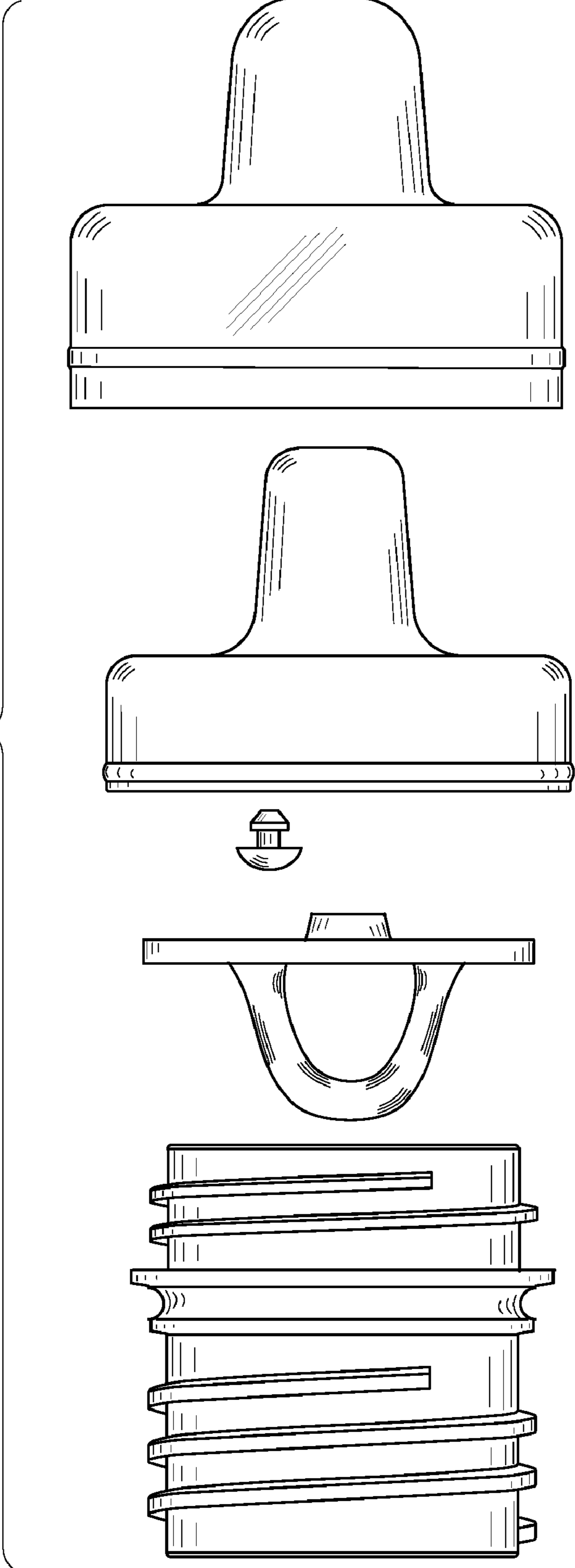


**FIG. 4**

*FIG. 5*



*FIG. 6*



*FIG. 7*

