



US00D599609S

(12) **United States Design Patent**
Ruffoni

(10) **Patent No.:** **US D599,609 S**

(45) **Date of Patent:** **** Sep. 8, 2009**

(54) **COOKWARE VESSEL**

(76) **Inventor:** **Walter Ruffoni**, Via Panoramica 14, San Giulio, Orta S. Giulio (IT) 28016

(**) **Term:** **14 Years**

(21) **Appl. No.:** **29/327,971**

(22) **Filed:** **Nov. 17, 2008**

(51) **LOC (9) Cl.** **07-02**

(52) **U.S. Cl.** **D7/354**

(58) **Field of Classification Search** D2/875;
D7/323, 354-361, 365, 378-379, 513, 523,
D7/532, 542-545, 560-565, 584-588, 602;
D11/152-153; 99/422, 425, 445; 206/519;
219/620-621, 725-730; 220/573.1-574,
220/769, 912; 229/400

See application file for complete search history.

(56) **References Cited**

U.S. PATENT DOCUMENTS

D44,932 S *	11/1913	Mittinger	D7/584
D54,898 S *	4/1920	Churchill	D7/545
D103,599 S *	3/1937	Ruck	D7/565
D230,690 S *	3/1974	Aries	D7/361
D269,243 S *	6/1983	Lam	D7/361
D269,399 S *	6/1983	Lam	D7/361
D269,931 S *	8/1983	Durand	D7/562
4,446,969 A *	5/1984	Tyler	206/519
D281,456 S *	11/1985	Swedarsky et al.	D2/875
D382,766 S *	8/1997	Hamada et al.	D7/354
D394,188 S *	5/1998	Reynaert et al.	D7/584
D414,375 S *	9/1999	Diulus	D7/354
D426,427 S *	6/2000	Rubbright et al.	D7/565
D449,204 S *	10/2001	Groll	D7/354
D482,562 S *	11/2003	Demers	D7/354
D509,106 S *	9/2005	de Groote et al.	D7/587
D514,018 S *	1/2006	Talmadge	D11/153
D517,865 S *	3/2006	Rocha	D7/562

D552,925 S *	10/2007	Kloppsteck	D7/361
D571,607 S *	6/2008	Stattmann	D7/361
D579,716 S *	11/2008	Pawson et al.	D7/361
D587,165 S *	2/2009	White	D11/152

OTHER PUBLICATIONS

NapaStyle Catalog, "Late harvest 2007", for Oct. 2007 delivery, Napa Style 574 Gateway Dr., Napa, CA, 94558.

* cited by examiner

Primary Examiner—Caron Veynar

Assistant Examiner—Ricky Pham

(74) *Attorney, Agent, or Firm*—Edward S. Sherman

(57) **CLAIM**

The ornamental design for a cookware vessel, as shown and described.

DESCRIPTION

FIG. 1 is a perspective view of first embodiment of a "cookware vessel", showing my new design;

FIG. 2 is an elevational view thereof;

FIG. 3 is a top plan view of thereof;

FIG. 4 is a bottom plan view thereof;

FIG. 5 is a perspective view of a second embodiment of a "cookware vessel", showing my new design;

FIG. 6 is an elevational view thereof;

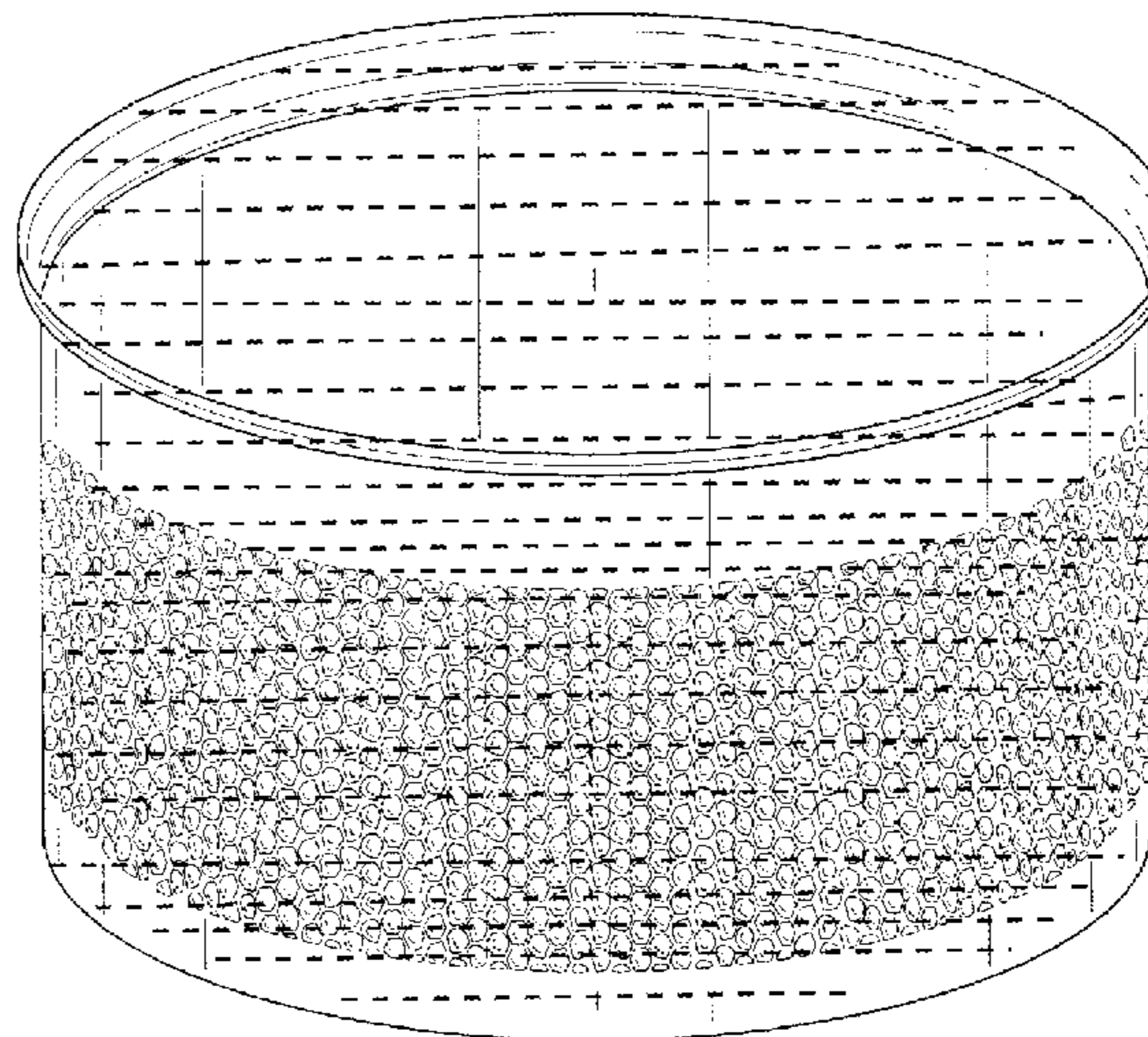
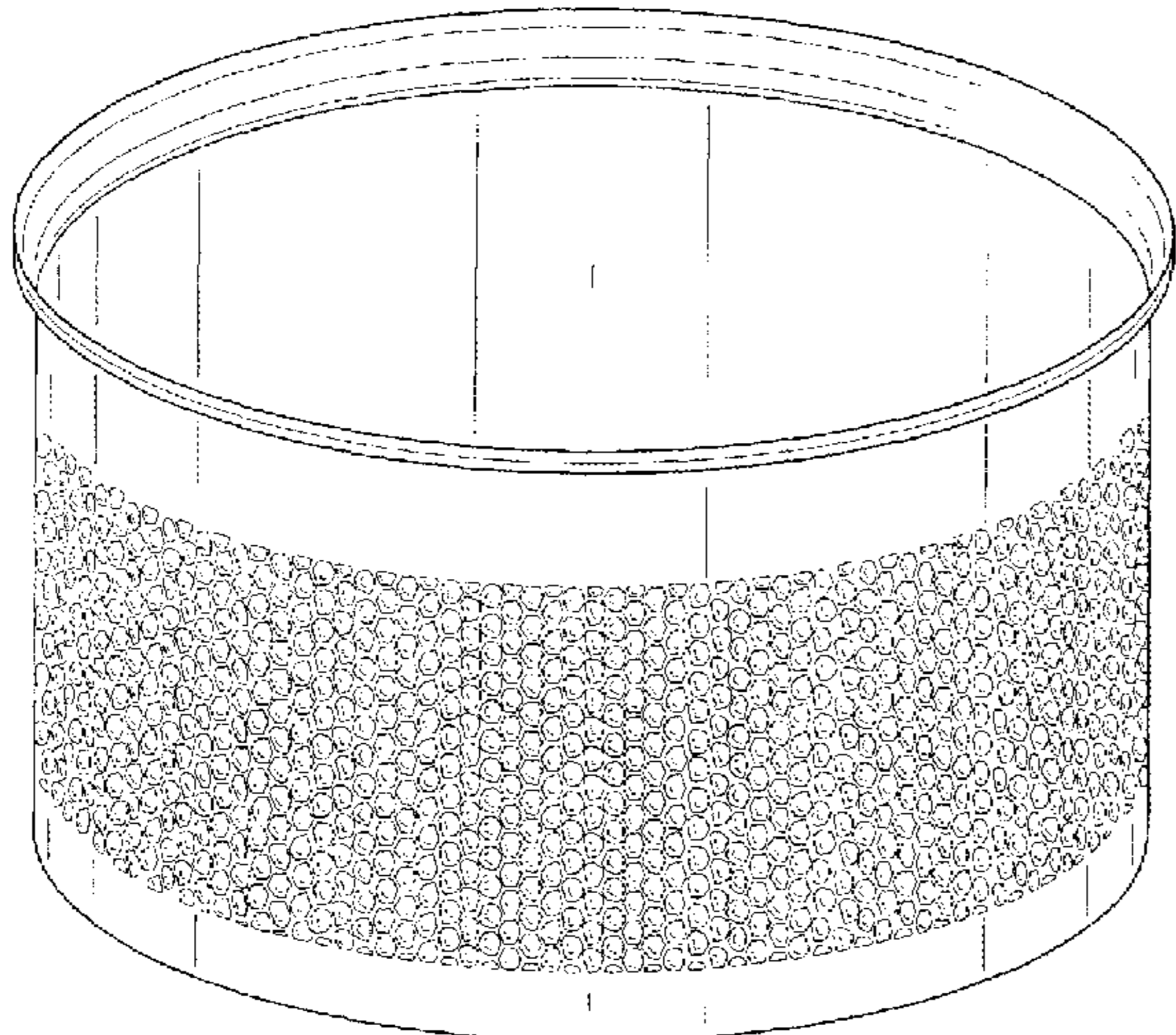
FIG. 7 is a top plan view thereof; and,

FIG. 8 is a bottom plan view thereof.

The cookware vessels of FIGS. 1-8 have a hammered texture applied over selected portions of the exterior.

The overlaid pattern of broken lines in FIGS. 5-8 indicates that this embodiment of the cookware vessel has a grey or silver color typical of, for example, stainless steel.

1 Claim, 8 Drawing Sheets



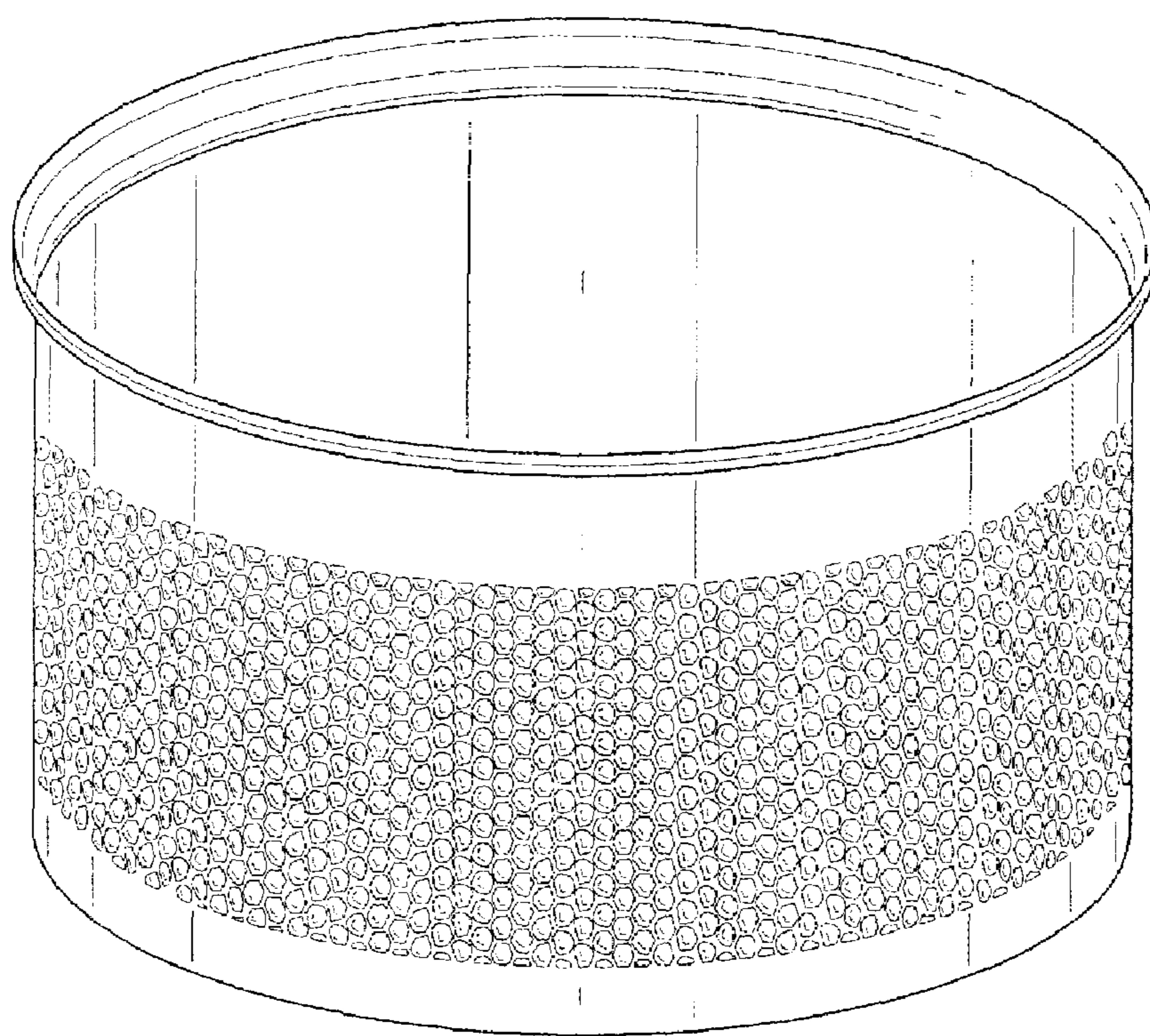


FIG. 1

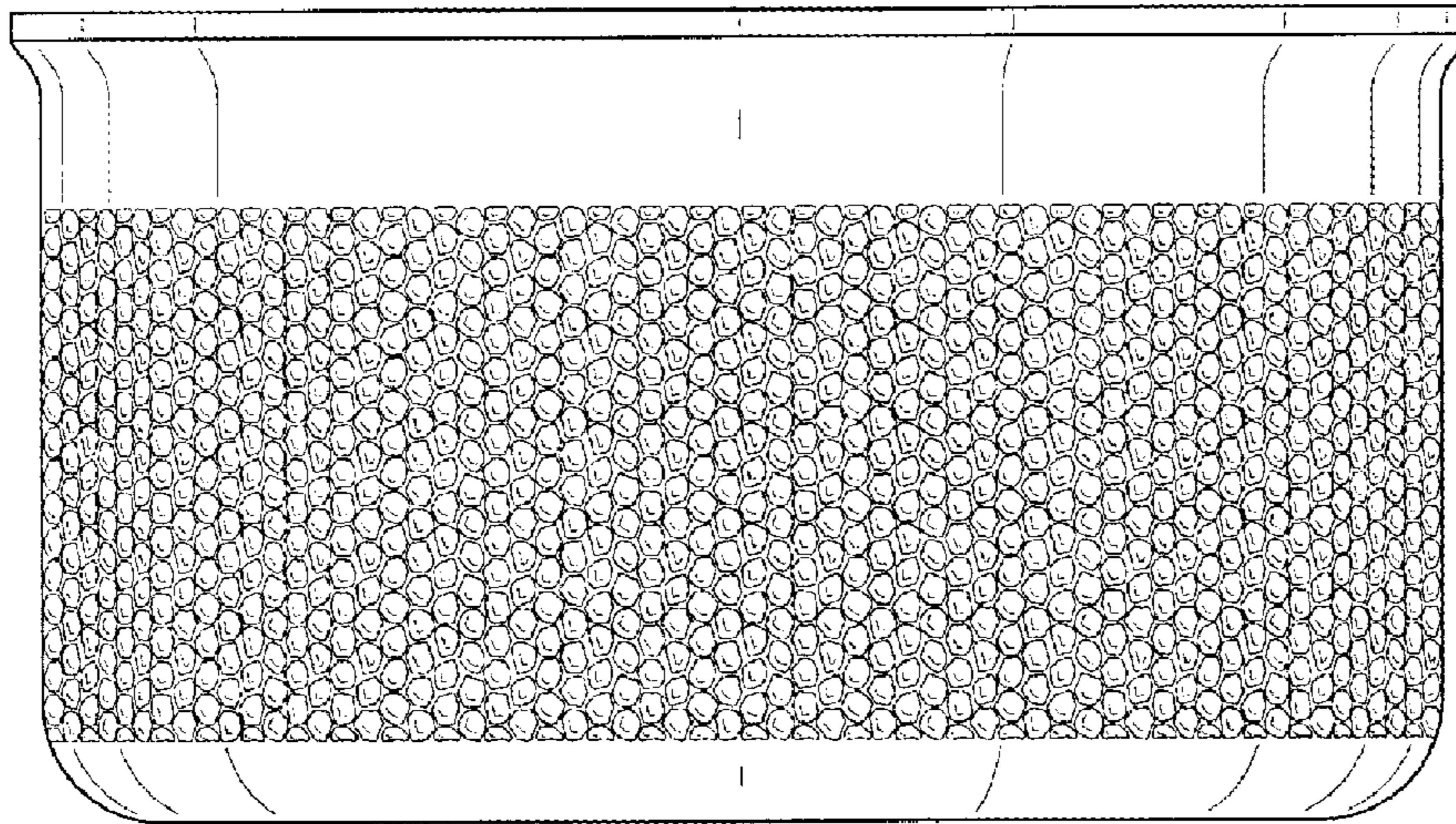


FIG. 2

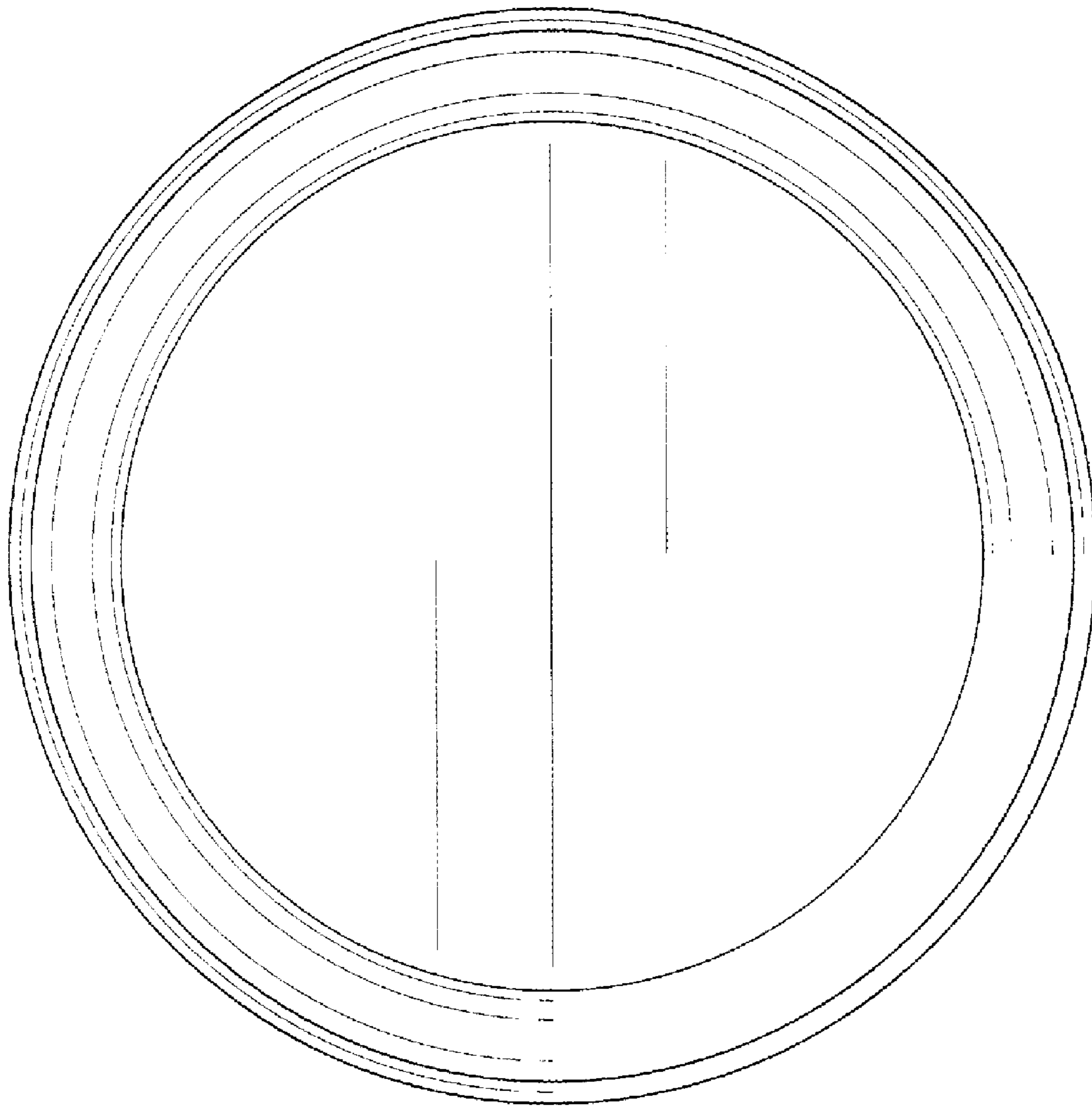


FIG. 3

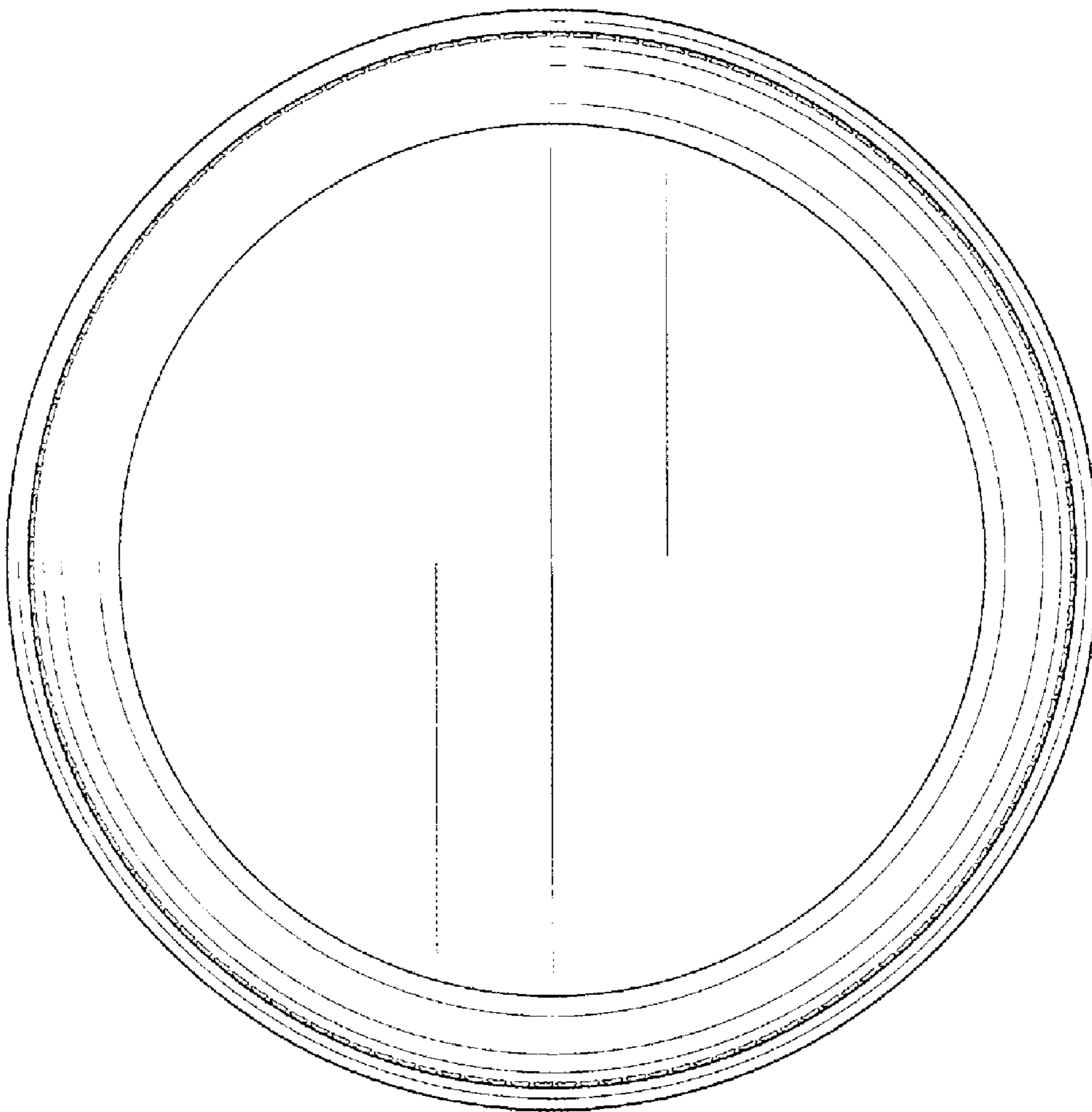


FIG. 4

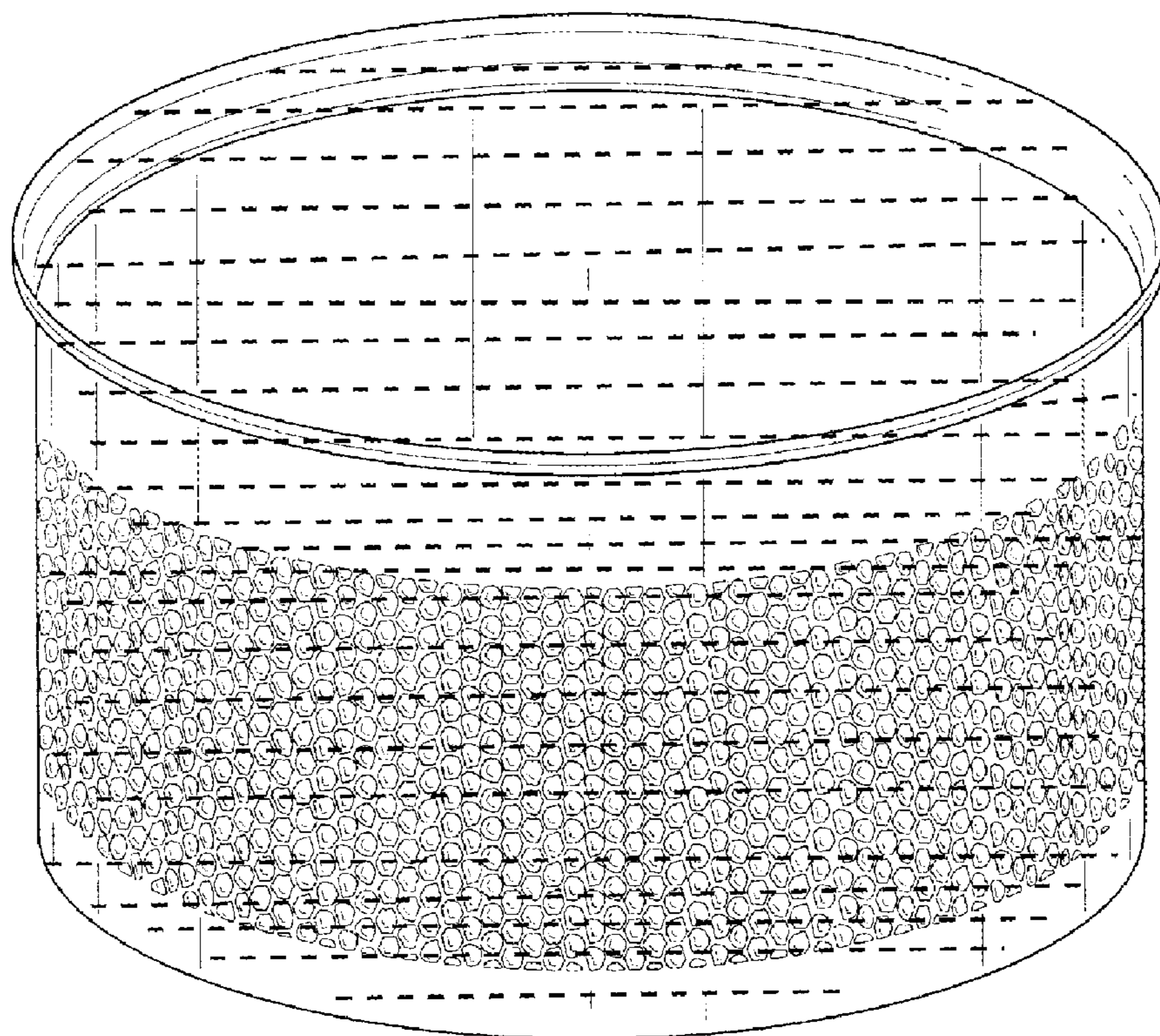


FIG. 5

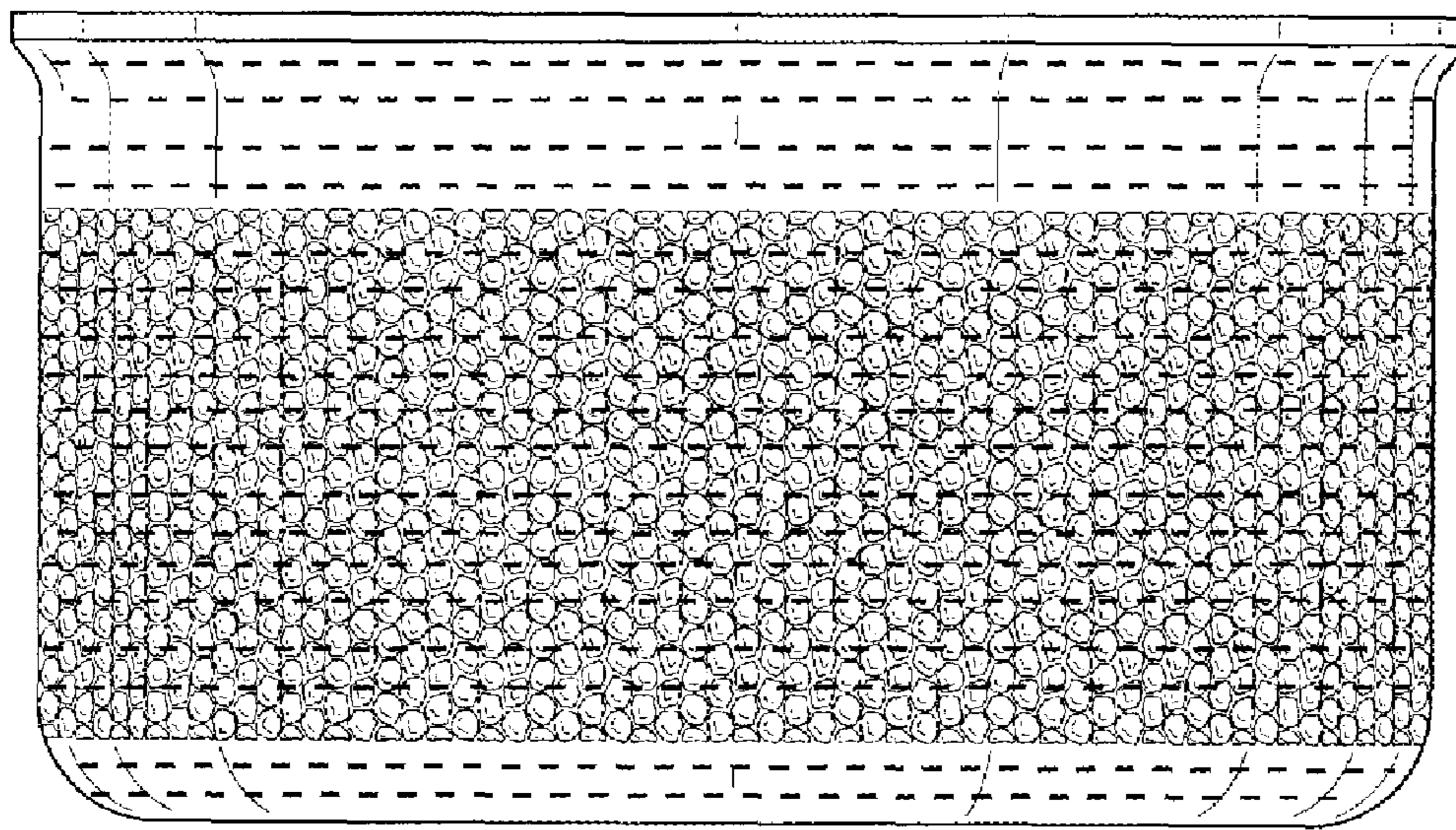


FIG. 6

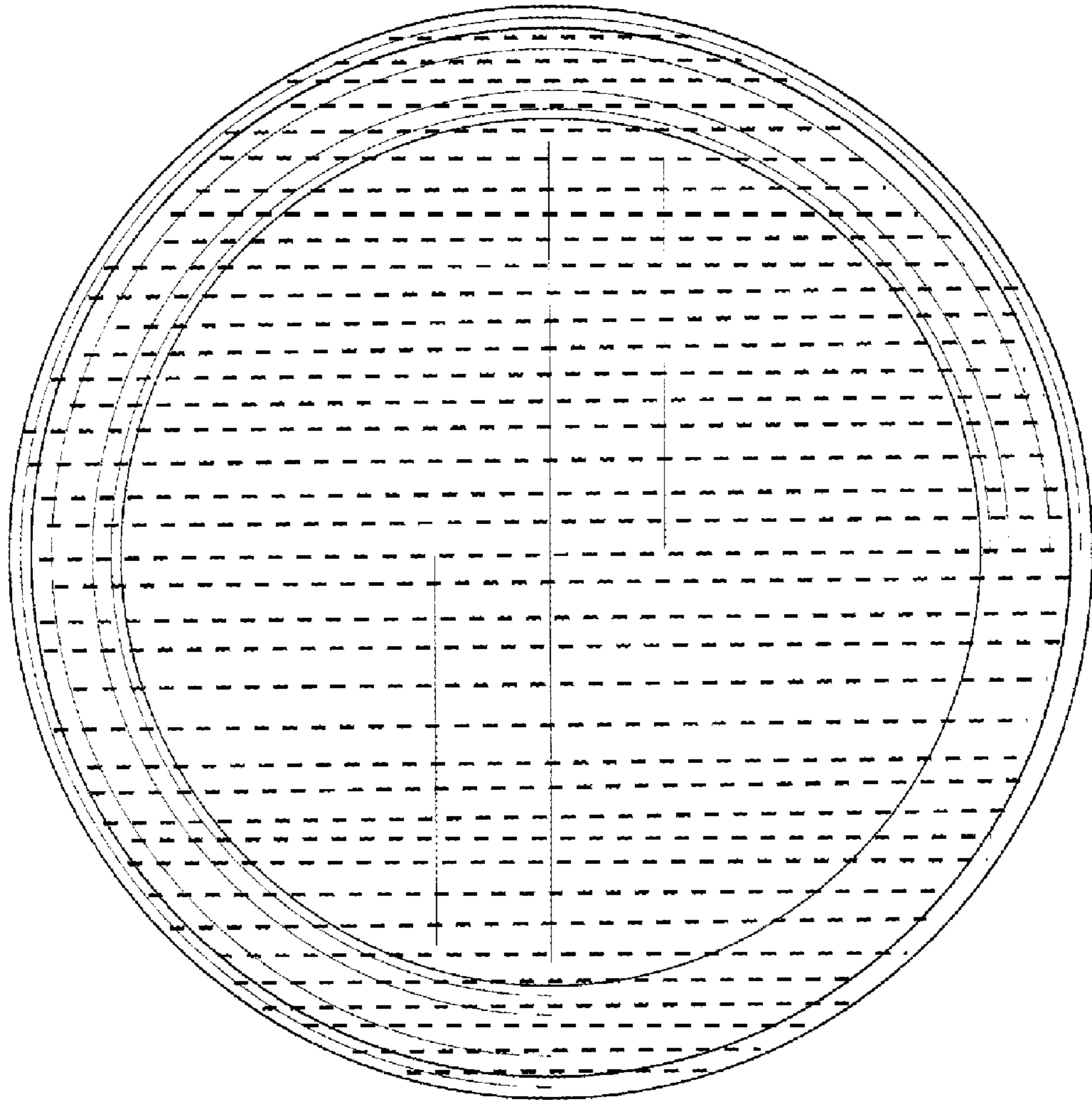


FIG. 7

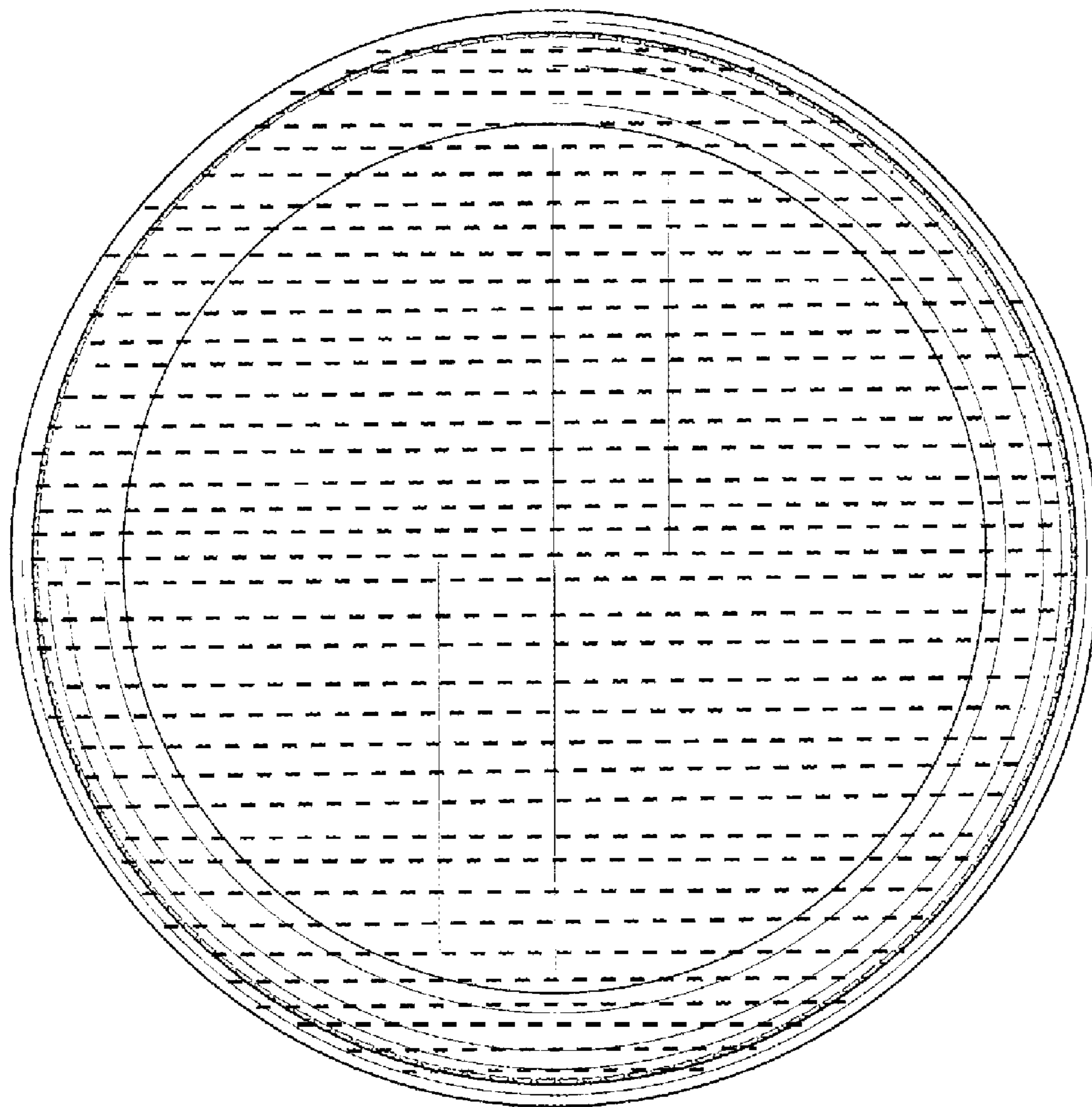


FIG. 8