



US00D599606S

(12) **United States Design Patent**
Wakita et al.

(10) **Patent No.:** **US D599,606 S**
(45) **Date of Patent:** **** Sep. 8, 2009**

(54) **HEAT INSULATING AND HOT WATER POT**

D552,900 S * 10/2007 Wilenius et al. D6/509
D581,196 S * 11/2008 Kassenaar D7/306
D592,900 S * 5/2009 Wang D7/306

(75) Inventors: **Ikuko Wakita**, Osaka (JP); **Masaaki Kotoku**, Osaka (JP)

FOREIGN PATENT DOCUMENTS

(73) Assignee: **Panasonic Corporation**, Osaka (JP)

JP D1188409 10/2003
JP D1196661 2/2004
JP D1237231 4/2005

(**) Term: **14 Years**

OTHER PUBLICATIONS

(21) Appl. No.: **29/319,210**

Japanese Office Action issued Sep. 9, 2008 in Japanese Design Application No. 2008-008484 (with translation).

(22) Filed: **Jun. 5, 2008**

* cited by examiner

(30) **Foreign Application Priority Data**

Apr. 2, 2008 (JP) 2008-008484

Primary Examiner—Marianne Pandozzi

(74) *Attorney, Agent, or Firm*—Brinks Hofer Gilson & Lione

(51) **LOC (9) Cl.** **07-01**

(52) **U.S. Cl.** **D7/306; D7/354; D7/605**

(57) **CLAIM**

(58) **Field of Classification Search** D7/306,
D7/313, 320, 608, 307, 308, 354, 300, 605,
D7/312; 222/131, 399, 209, 129.1; 220/592.18,
220/23.91

We claim the ornamental design for a heat insulating and hot water pot, as shown and described.

See application file for complete search history.

DESCRIPTION

FIG. 1 is a top perspective view of a heat insulating and hot water pot of the present invention;

(56) **References Cited**

U.S. PATENT DOCUMENTS

D293,409 S * 12/1987 Seike et al. D7/313
D423,277 S * 4/2000 Josancy D7/354
D463,192 S * 9/2002 Uneo et al. D7/306
D486,351 S * 2/2004 Lu et al. D7/354
D487,376 S * 3/2004 Uneo et al. D7/306
D518,677 S * 4/2006 Van Berlo D7/306
D522,794 S * 6/2006 Imai D7/313
D541,572 S * 5/2007 Watanabe D7/313

FIG. 2 is a front view thereof;

FIG. 3 is a top view thereof;

FIG. 4 is a bottom view thereof;

FIG. 5 is a right side view thereof;

FIG. 6 is a left side view thereof; and,

FIG. 7 is a rear view thereof.

1 Claim, 7 Drawing Sheets

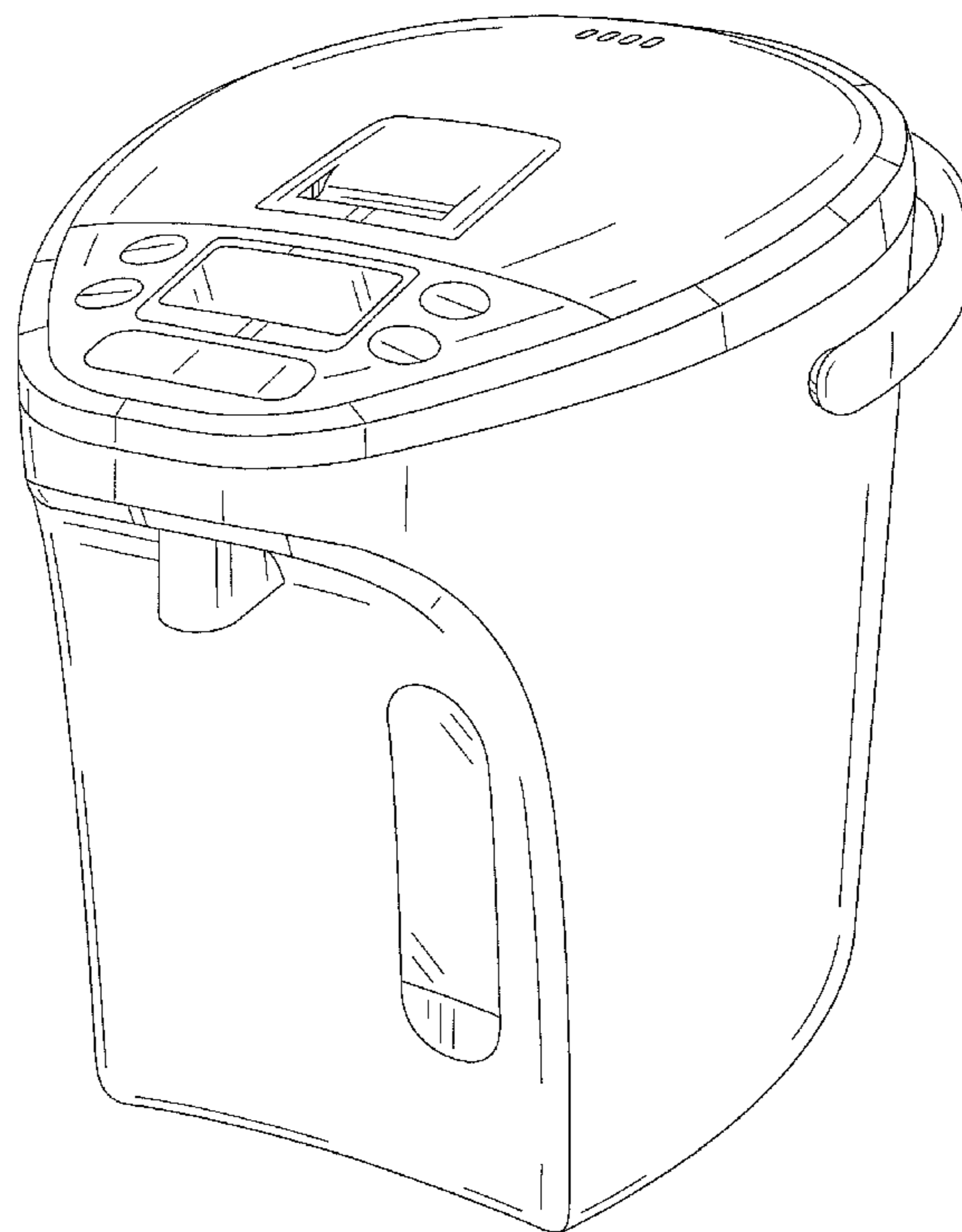


FIG.1

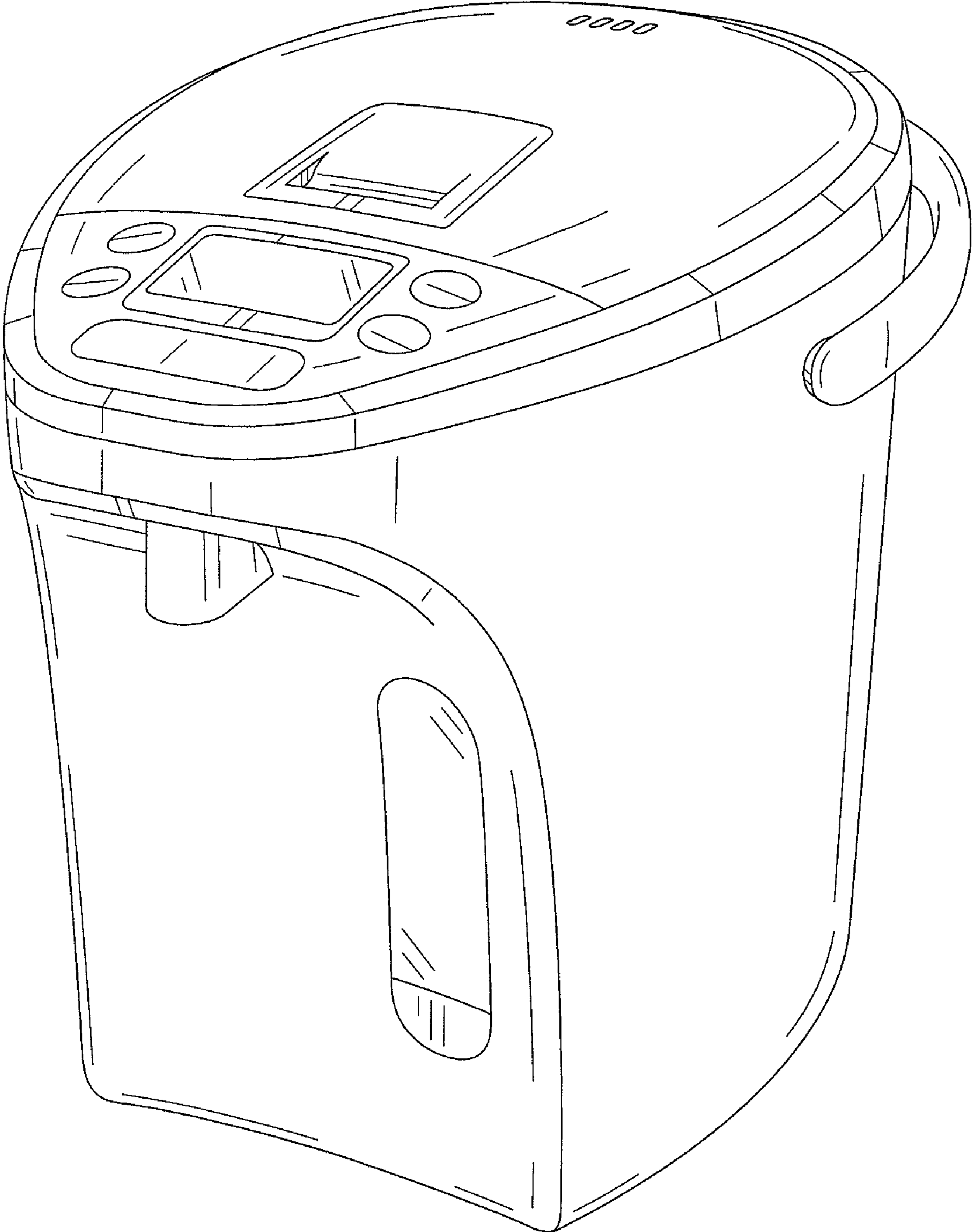


FIG.2

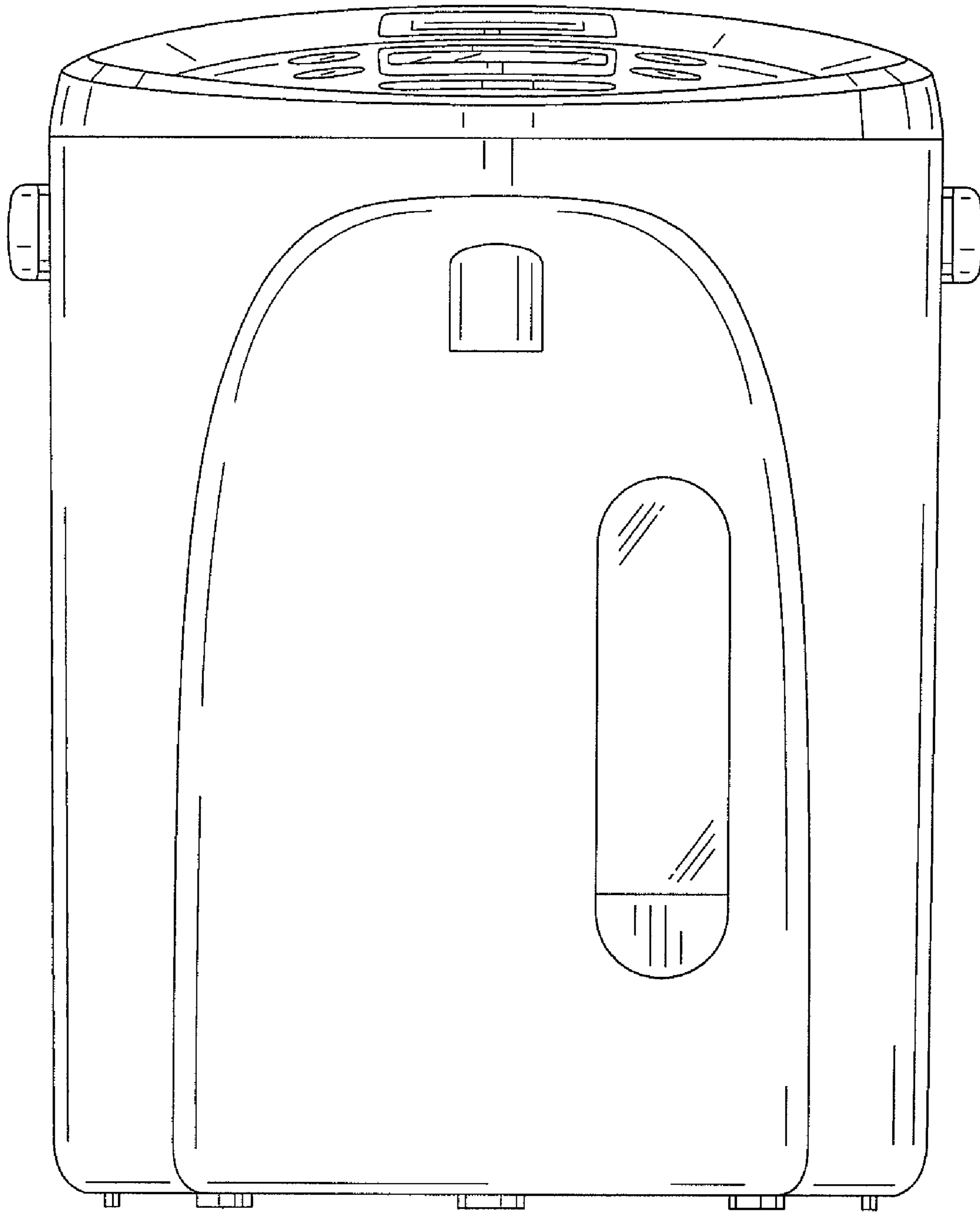


FIG.3

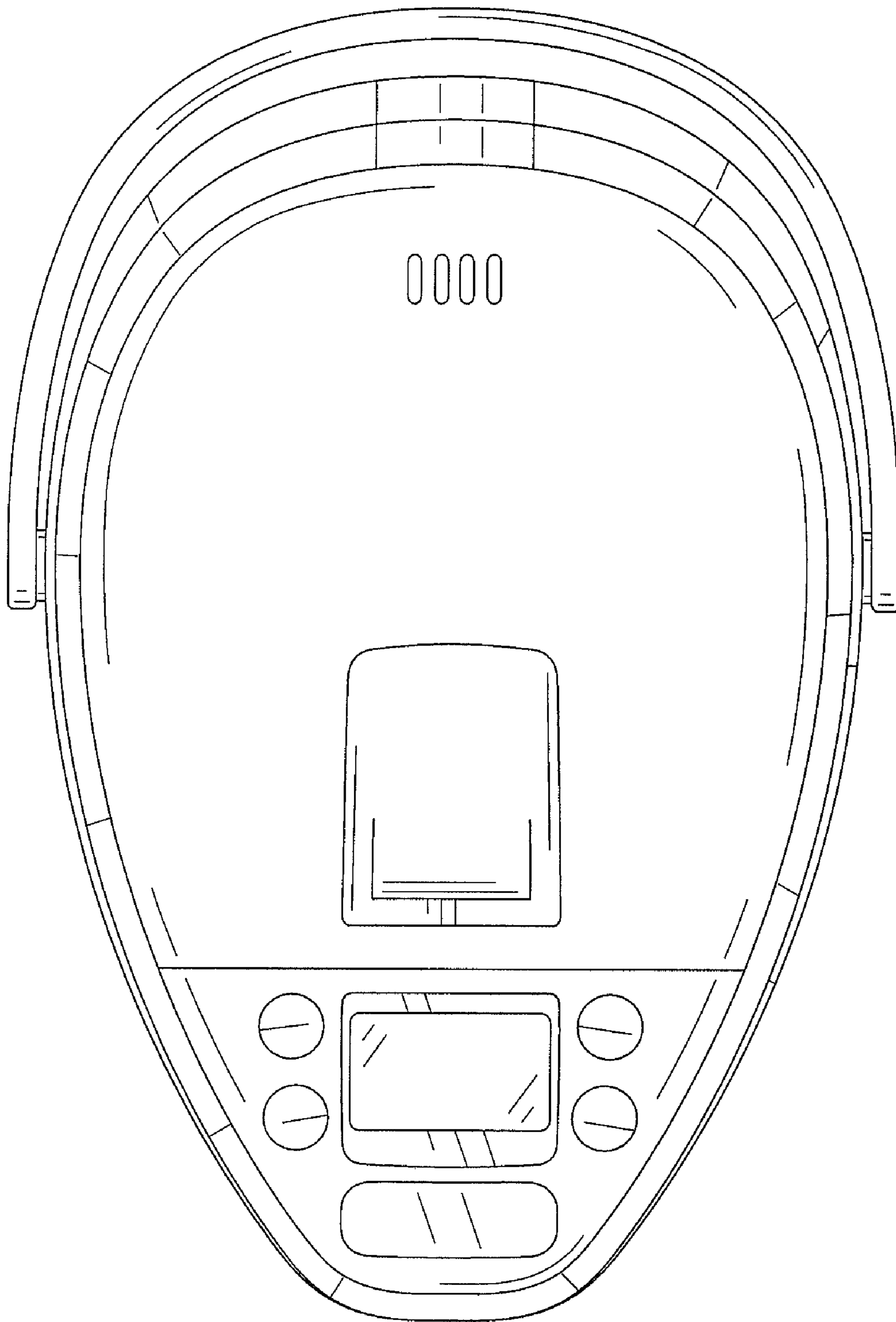


FIG.4

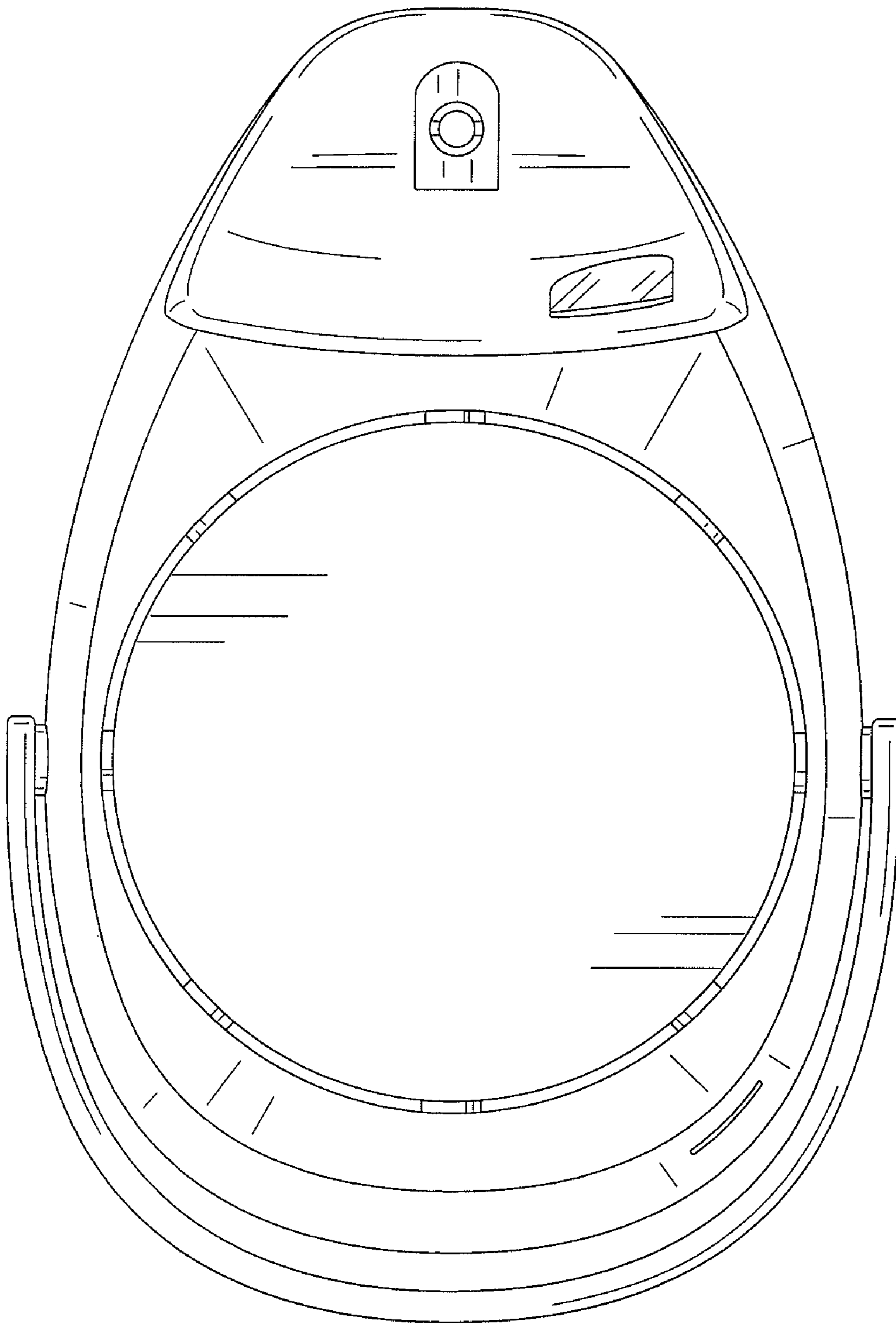


FIG.5

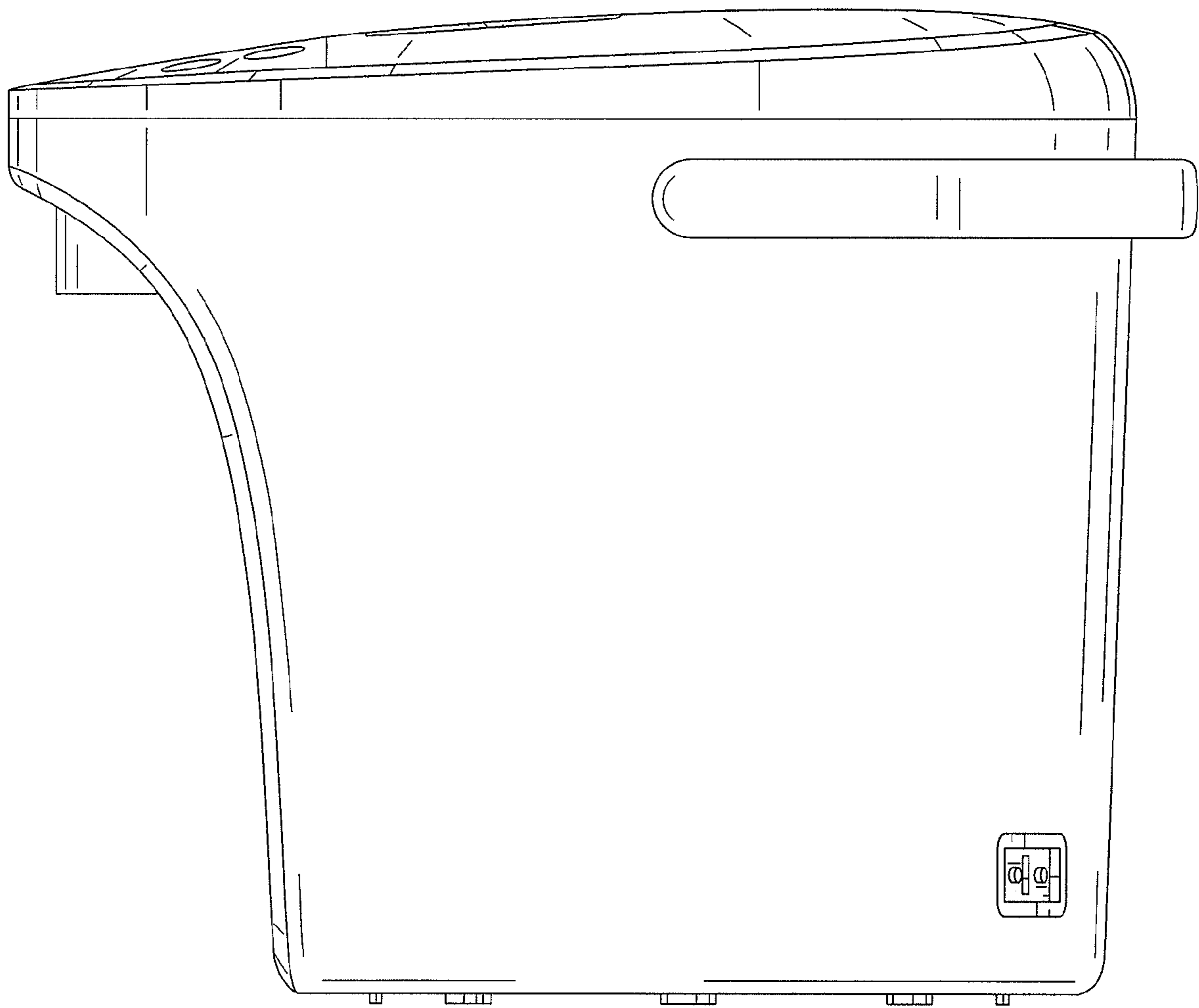


FIG.6

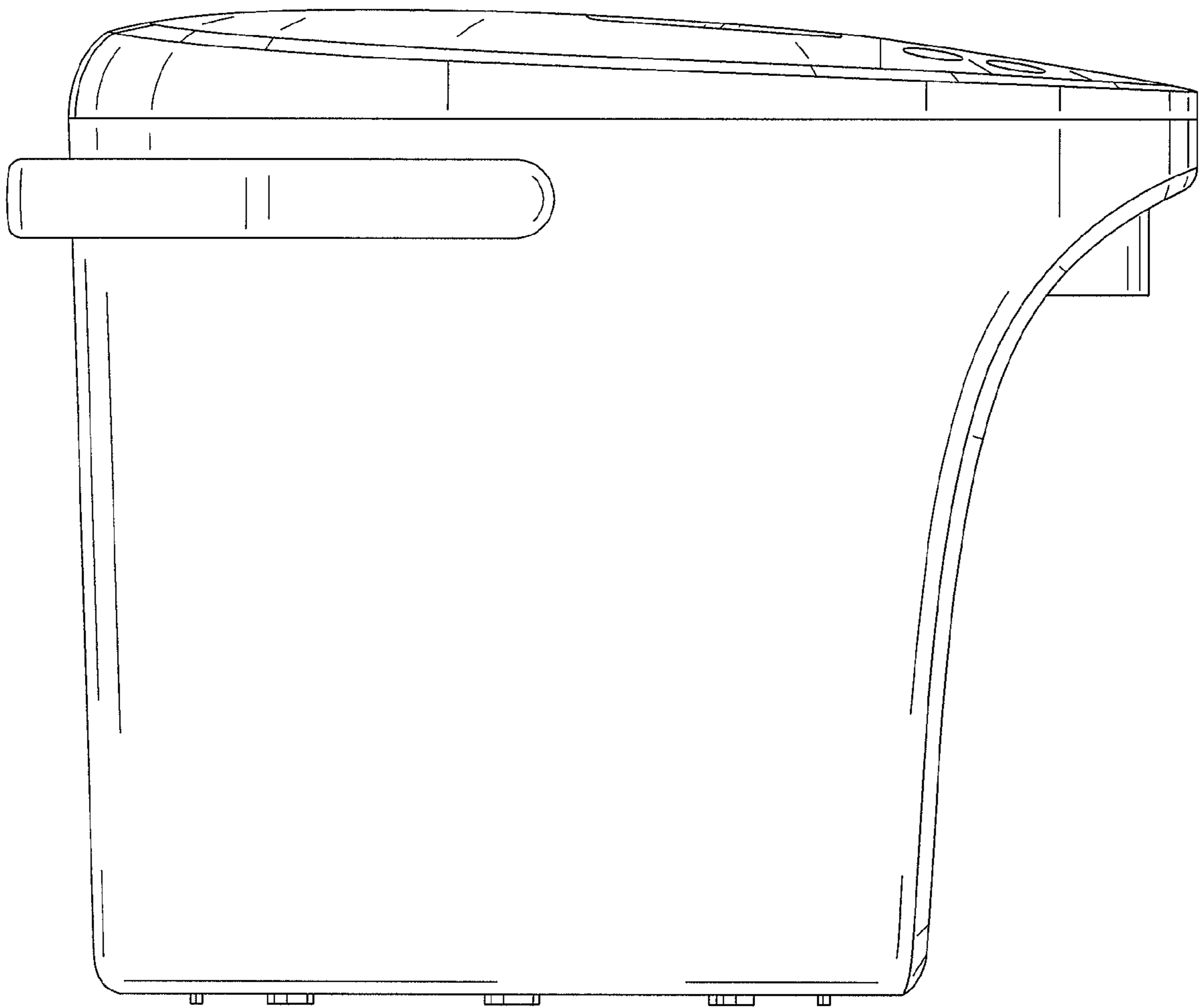


FIG.7

