



US00D599602S

(12) **United States Design Patent**
Chou

(10) **Patent No.:** **US D599,602 S**

(45) **Date of Patent:** **** Sep. 8, 2009**

(54) **END COVER OF A WINDOW CURTAIN RAIL**

(76) **Inventor:** **Tser Wen Chou**, 1A, 3 Fl., No. 176,
Jiankang Rd., Taipei City (TW)

(**) **Term:** **14 Years**

(21) **Appl. No.:** **29/328,800**

(22) **Filed:** **Dec. 2, 2008**

(51) **LOC (9) Cl.** **06-10**

(52) **U.S. Cl.** **D6/580**

(58) **Field of Classification Search** D6/580,
D6/581, 582, 583, 584, 585, 586, 587, 588,
D6/589, 590, 591, 592, 593, 594; D3/260;
D13/155, 184; D20/44; D25/119, 122, 124;
4/506; 52/169.5; 160/32, 168.1 V, 178.1 R;
174/496; D8/396

See application file for complete search history.

(56) **References Cited**

U.S. PATENT DOCUMENTS

D438,094 S *	2/2001	Ishii	D8/396
D440,447 S *	4/2001	Horsten	D6/580
D442,413 S *	5/2001	Ishii	D6/581
D443,456 S *	6/2001	Horsten	D6/580
D447,901 S *	9/2001	Horsten	D6/580
D486,987 S *	2/2004	Tyner	D6/580
D501,184 S *	1/2005	Ikeda	D13/156
D506,341 S *	6/2005	Gruner	D6/580

D541,567 S *	5/2007	Spence	D6/580
D543,404 S *	5/2007	Watkins et al.	D6/580
D587,054 S *	2/2009	Patterson et al.	D6/580

* cited by examiner

Primary Examiner—Robert M Spear

Assistant Examiner—Barbara B Lohr

(74) *Attorney, Agent, or Firm*—Ming Chow; Sinorica, LLC

(57) **CLAIM**

The ornamental design for an end cover of a window curtain rail, as shown and described.

DESCRIPTION

FIG. 1 is a perspective view of an end cover of a window curtain rail;

FIG. 2 is a front view thereof;

FIG. 3 is a rear view thereof;

FIG. 4 is a right side view thereof;

FIG. 5 is a left side view thereof;

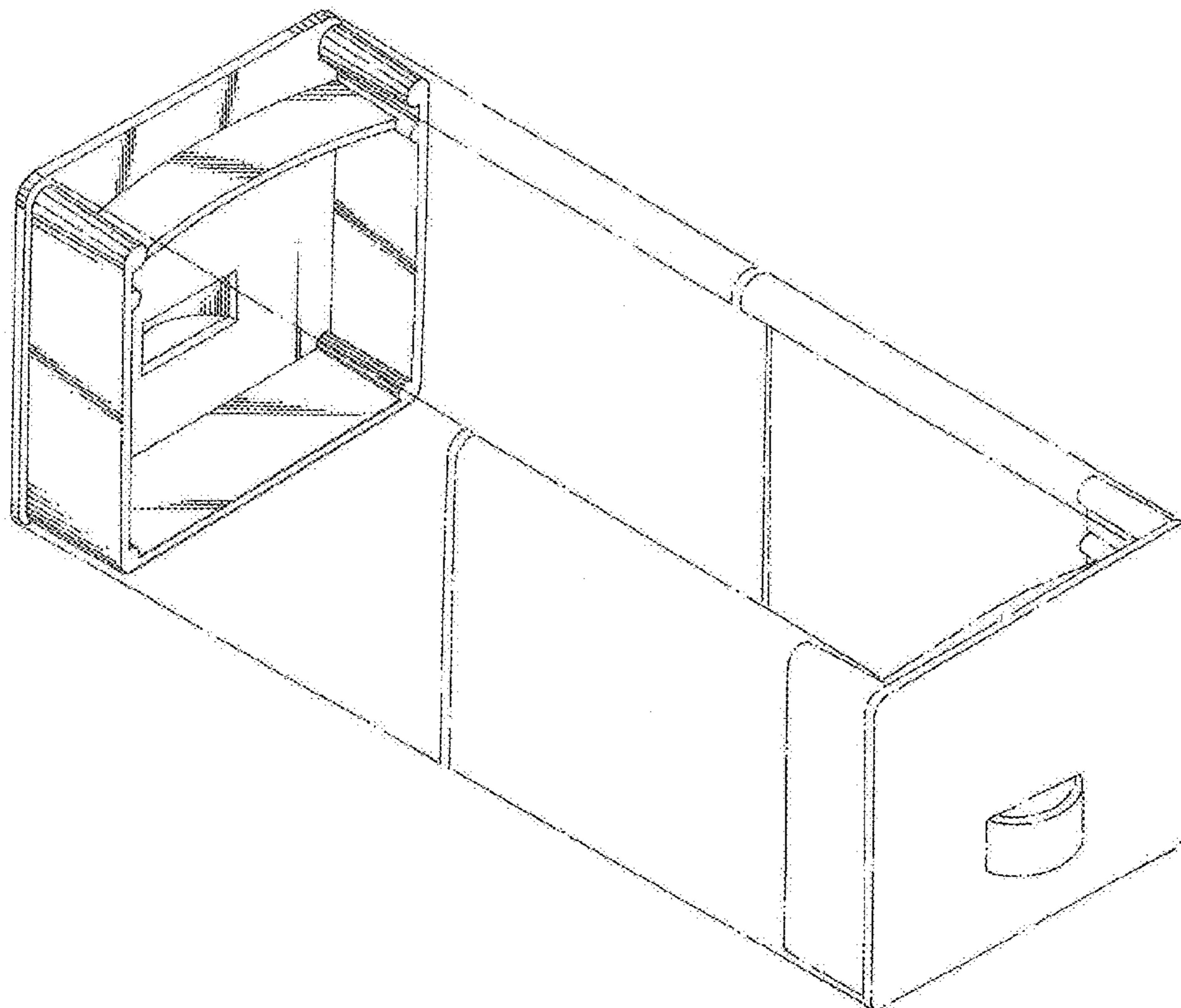
FIG. 6 is a top view thereof;

FIG. 7 is a bottom view thereof; and,

FIG. 8 is a perspective view of the design showing that one end cover is mounted at one end of a window curtain rail.

The broken line of the design forms no part of the claim.

1 Claim, 5 Drawing Sheets



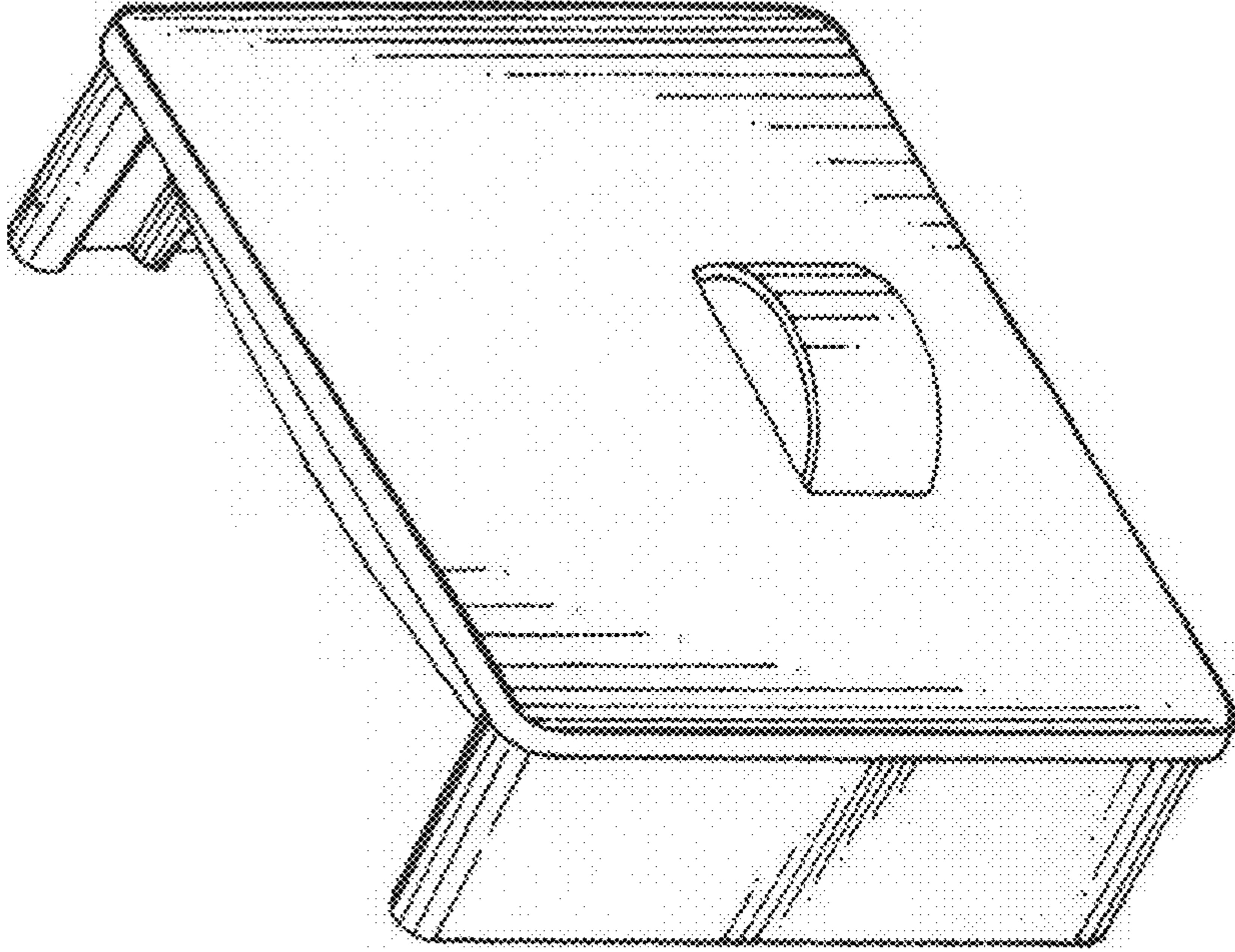


FIG 1

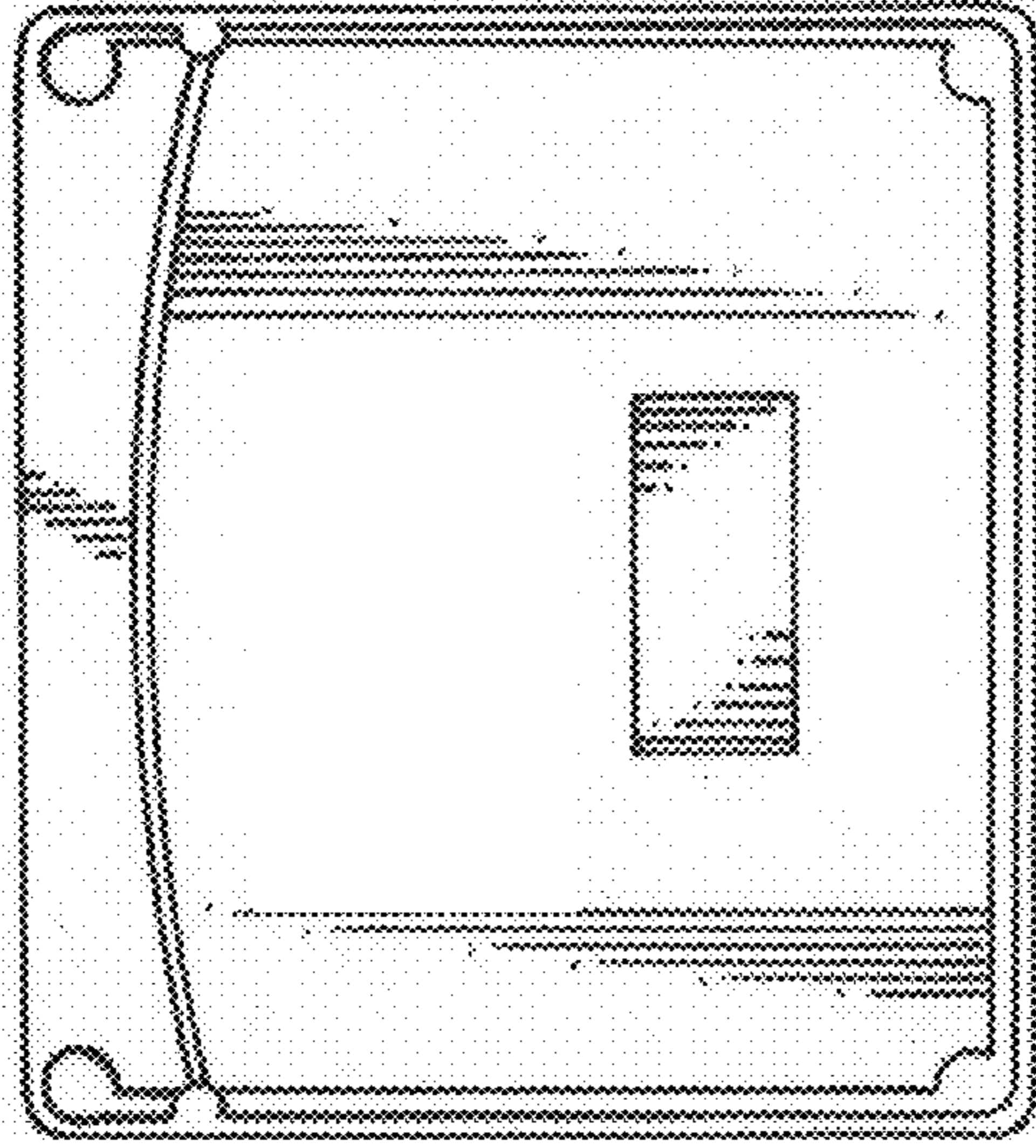


FIG 3

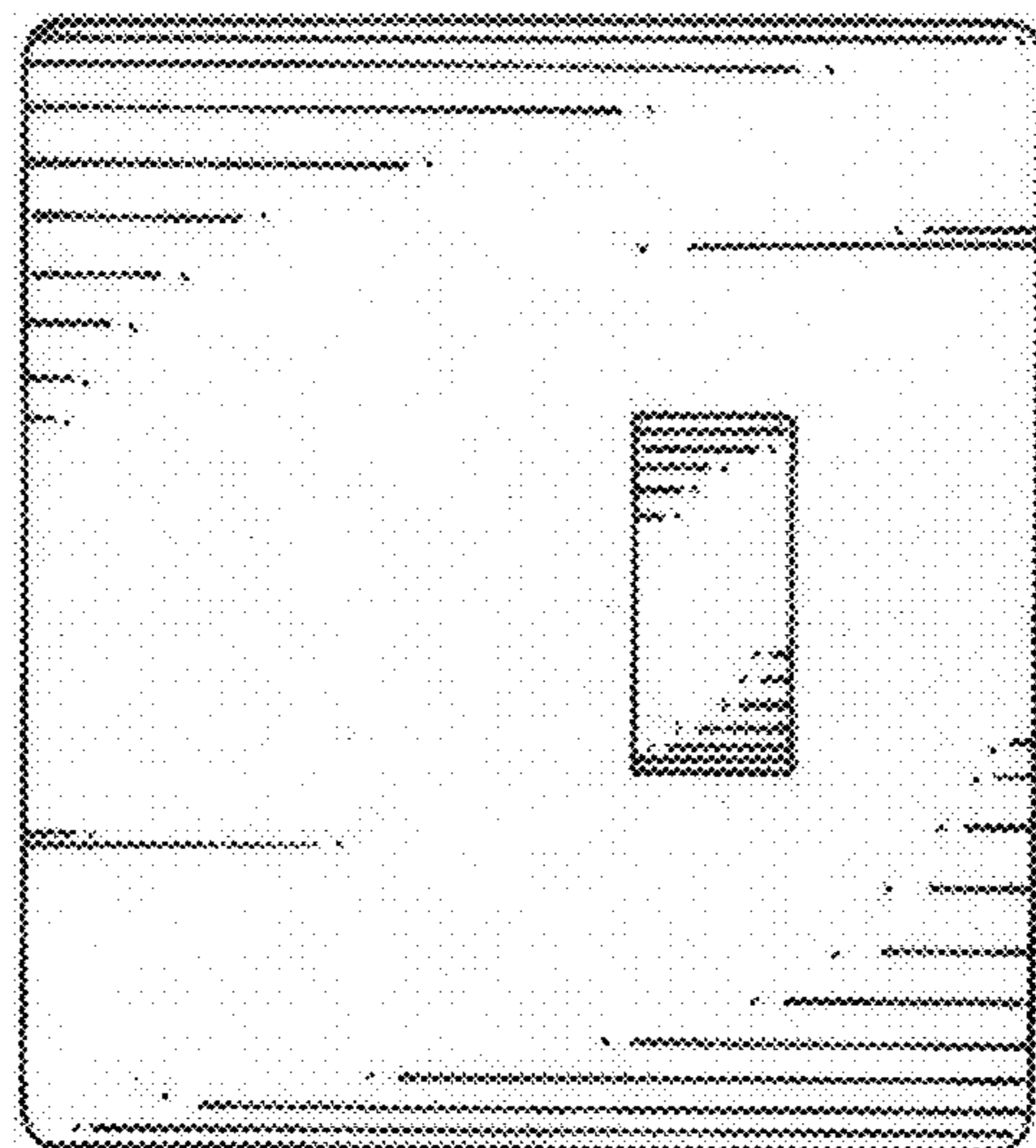


FIG 2

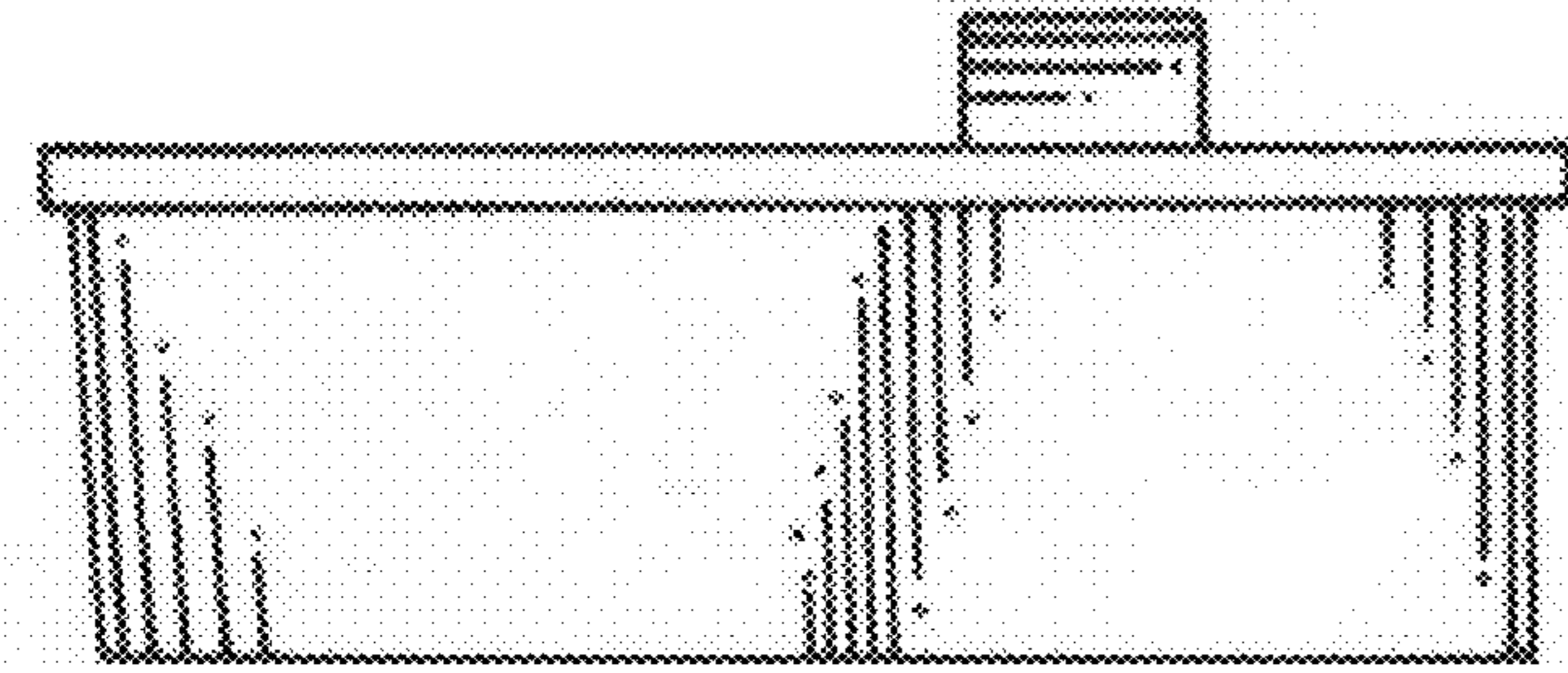


FIG 5

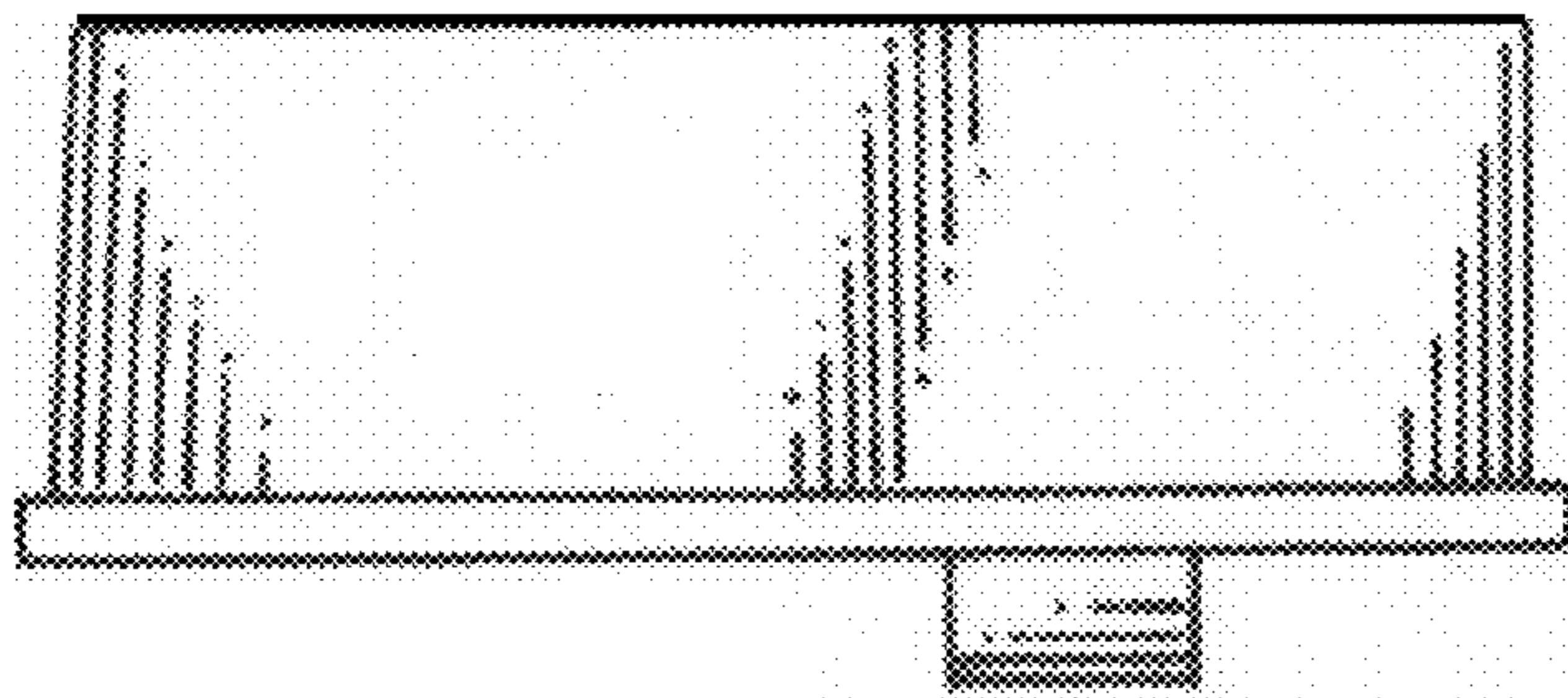


FIG 4

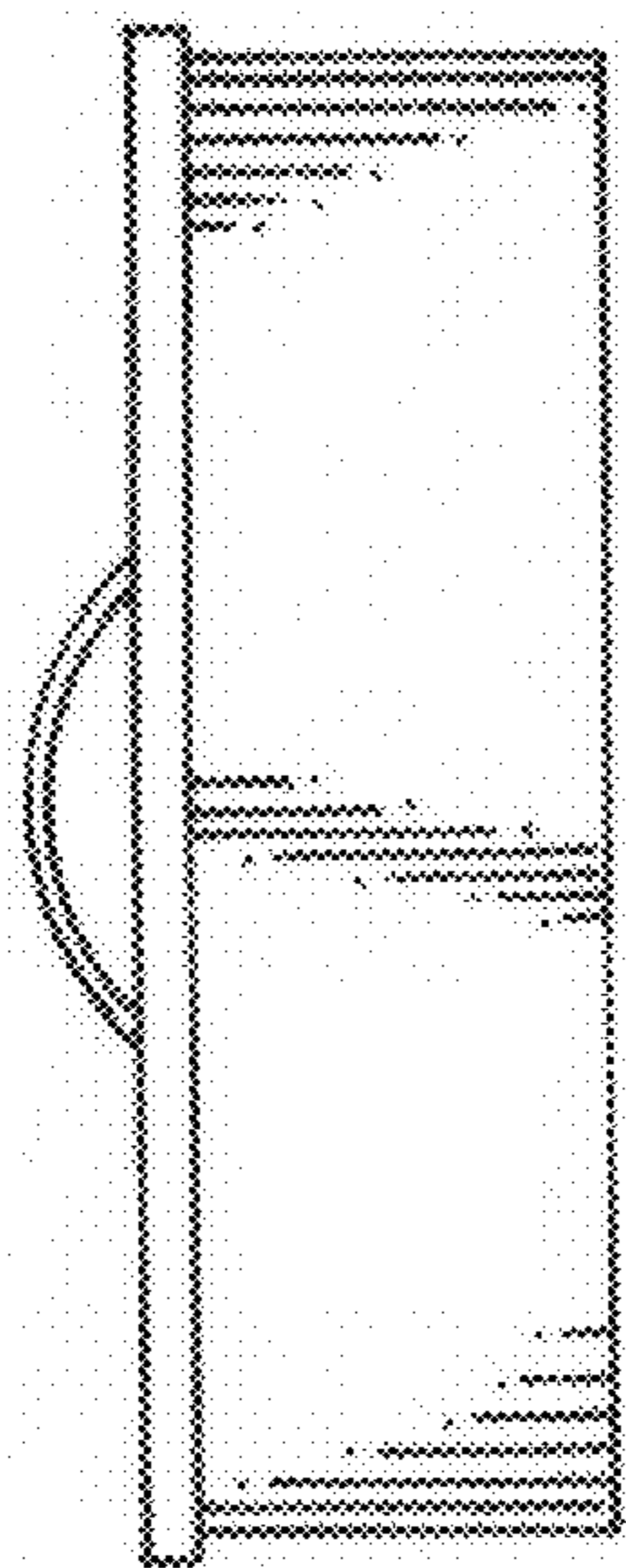


FIG 7

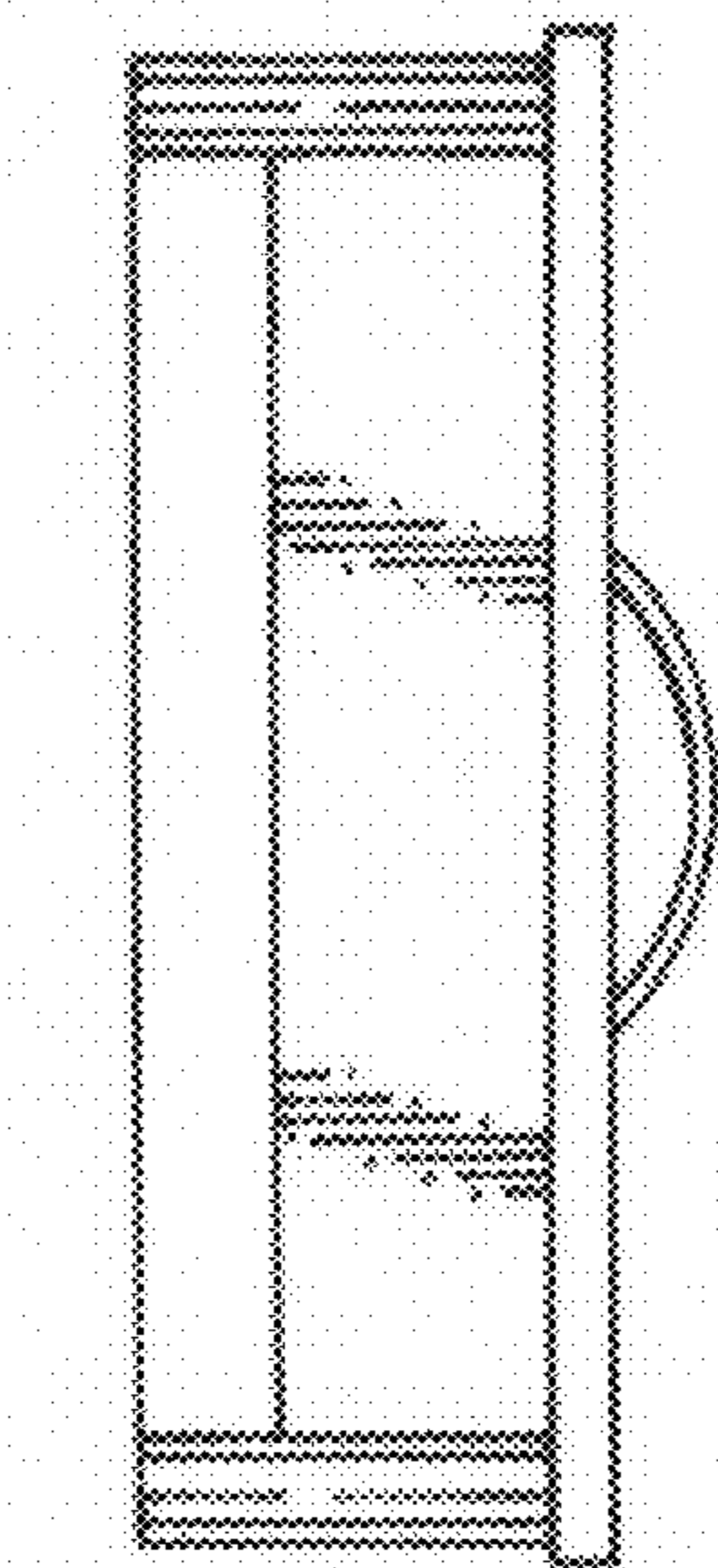


FIG 6

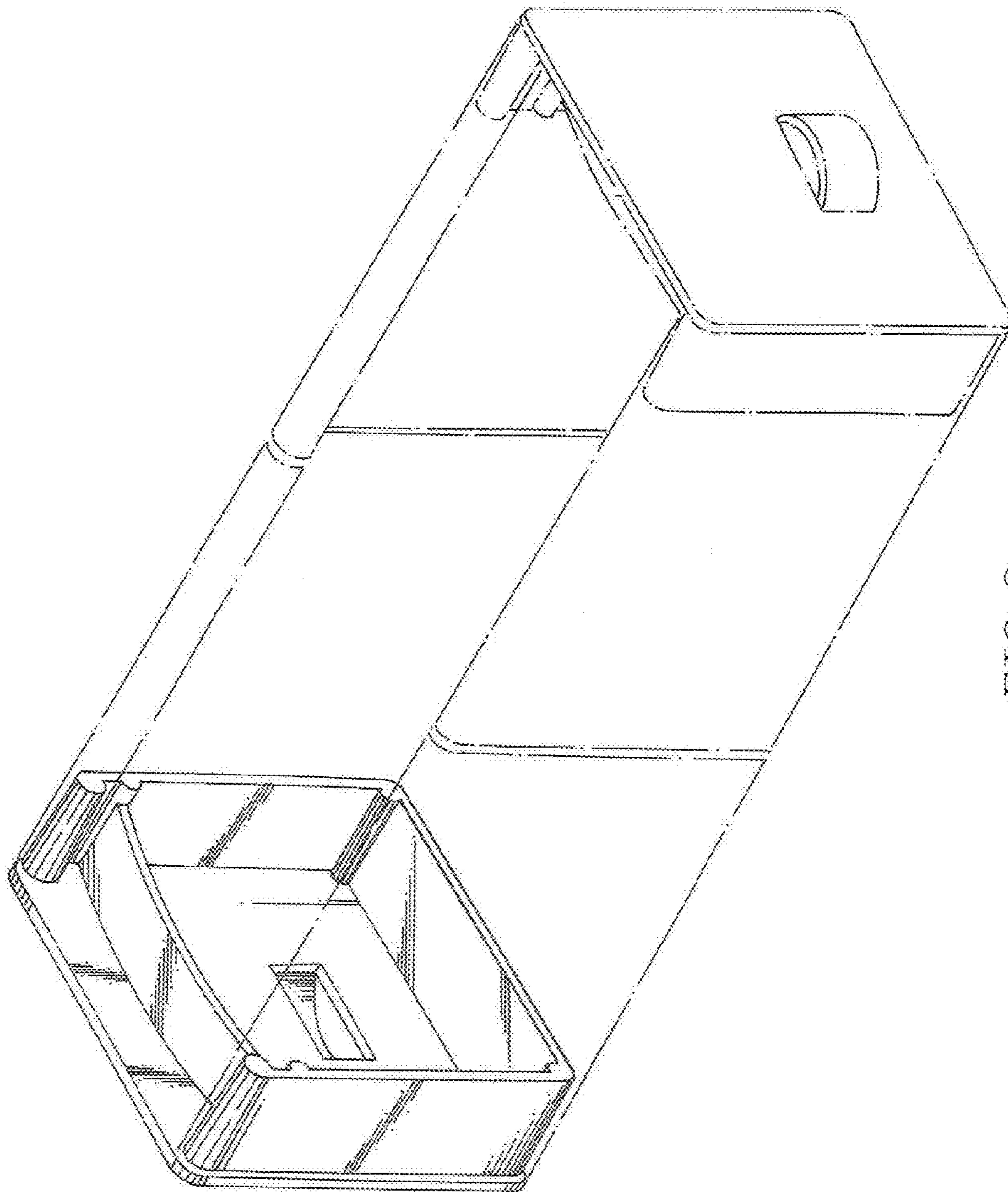


FIG 8