



US00D599601S

(12) **United States Design Patent**  
**Mallen**

(10) **Patent No.:** **US D599,601 S**

(45) **Date of Patent:** **\*\* Sep. 8, 2009**

(54) **SUPPORT FOR HANGING/DRYING SPORTS EQUIPMENT**

D417,996 S \* 12/1999 Mallen ..... D6/553

**FOREIGN PATENT DOCUMENTS**

(76) Inventor: **Frank Mallen**, 20 Birkdale Crescent,  
Dollard-des-Ormeaux, Québec (CA)  
H9C 2P3

CA 2437470 2/2005  
CA 2576662 2/2006  
CA 2314439 2/2008

(\*\*) Term: **14 Years**

\* cited by examiner

(21) Appl. No.: **29/330,471**

*Primary Examiner*—Caron Veynar

*Assistant Examiner*—Ricky Pham

(22) Filed: **Jan. 8, 2009**

(74) *Attorney, Agent, or Firm*—Ogilvy Renault LLP

(51) **LOC (9) Cl.** ..... **08-08**

(57) **CLAIM**

(52) **U.S. Cl.** ..... **D6/552; D6/411; D32/58**

The ornamental design for a support for hanging/drying sports equipment, as shown and described.

(58) **Field of Classification Search** ..... D6/405,  
D6/410–411, 449, 455, 456, 458–463, 552–553;  
D32/58–59; 211/59.1, 60.1, 70.5, 85.7, 163,  
211/195, 204–206; 248/127–128, 155.1–155.2  
See application file for complete search history.

**DESCRIPTION**

(56) **References Cited**

**U.S. PATENT DOCUMENTS**

1,137,900 A \* 5/1915 Reichert ..... 211/163  
3,310,180 A \* 3/1967 Neagle ..... 211/205  
3,827,571 A \* 8/1974 Koutny ..... 211/59.1  
D275,719 S \* 10/1984 Ritchey ..... D6/411  
D300,289 S \* 3/1989 Walter ..... D6/411  
D354,654 S \* 1/1995 Mallen ..... D6/552  
D355,288 S \* 2/1995 Mallen ..... D32/58  
D356,907 S \* 4/1995 Jernigan ..... D6/463  
D387,216 S \* 12/1997 Stone ..... D6/405  
D389,338 S \* 1/1998 Vairo ..... D6/458  
5,862,924 A \* 1/1999 Dumont ..... 211/85.7

FIG. 1 is a perspective view of a support for hanging/drying sports equipment in accordance with the present design;

FIG. 2 is a front elevational view of the support of FIG. 1;

FIG. 3 is a rear elevational view of the support of FIG. 1;

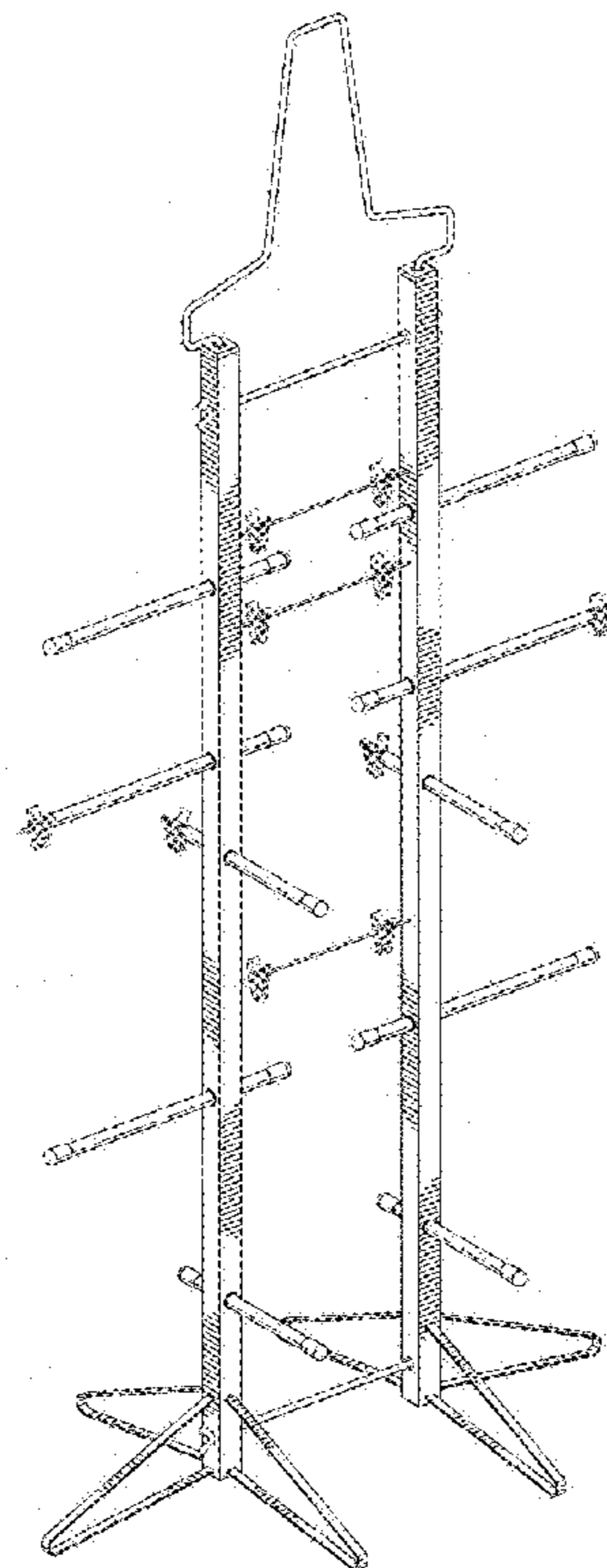
FIG. 4 is a right-side elevational view of the support of FIG. 1, the left-side elevational view being a mirror image thereof;

FIG. 5 is a top plan view of the support of FIG. 1; and,

FIG. 6 is a bottom plan view of the support of FIG. 1.

The broken lines showing structural supports and peripheral components in each figure are for illustrative purposes only and form no part of the claimed design.

**1 Claim, 5 Drawing Sheets**



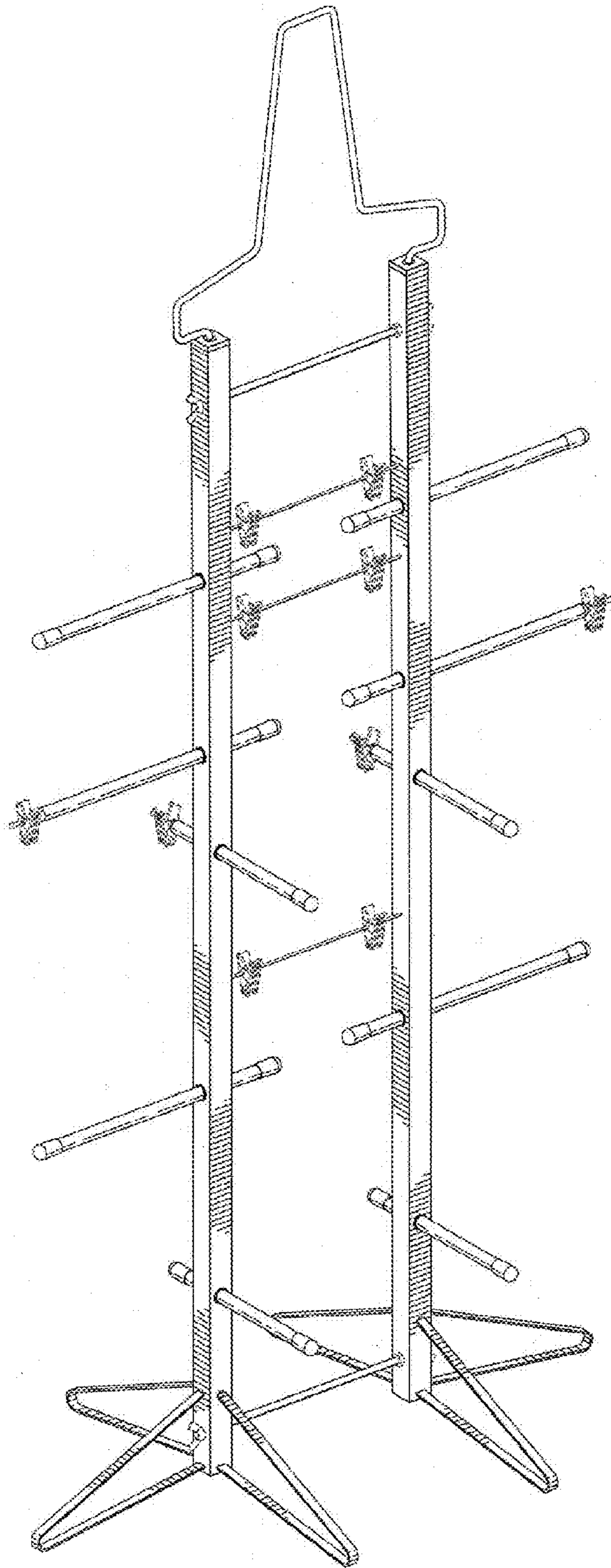
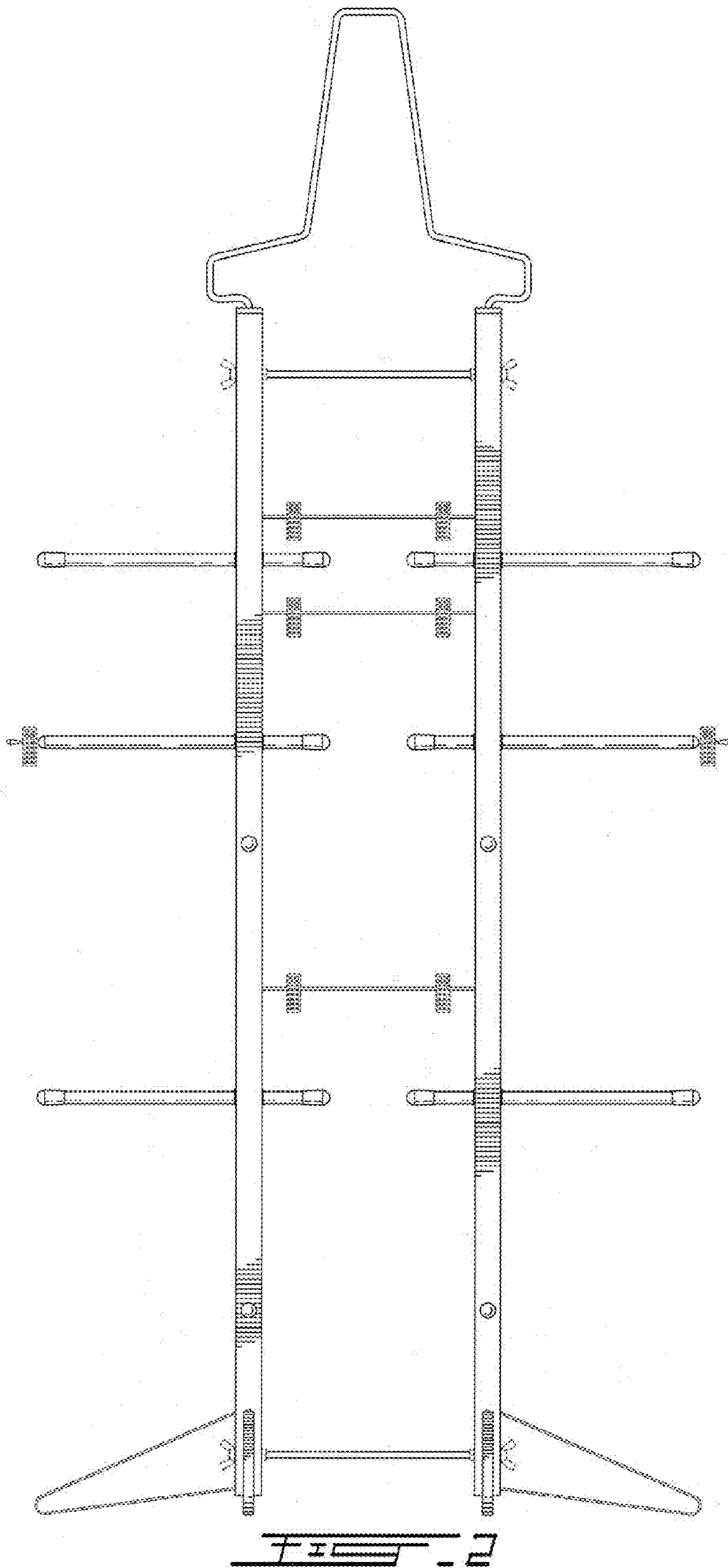
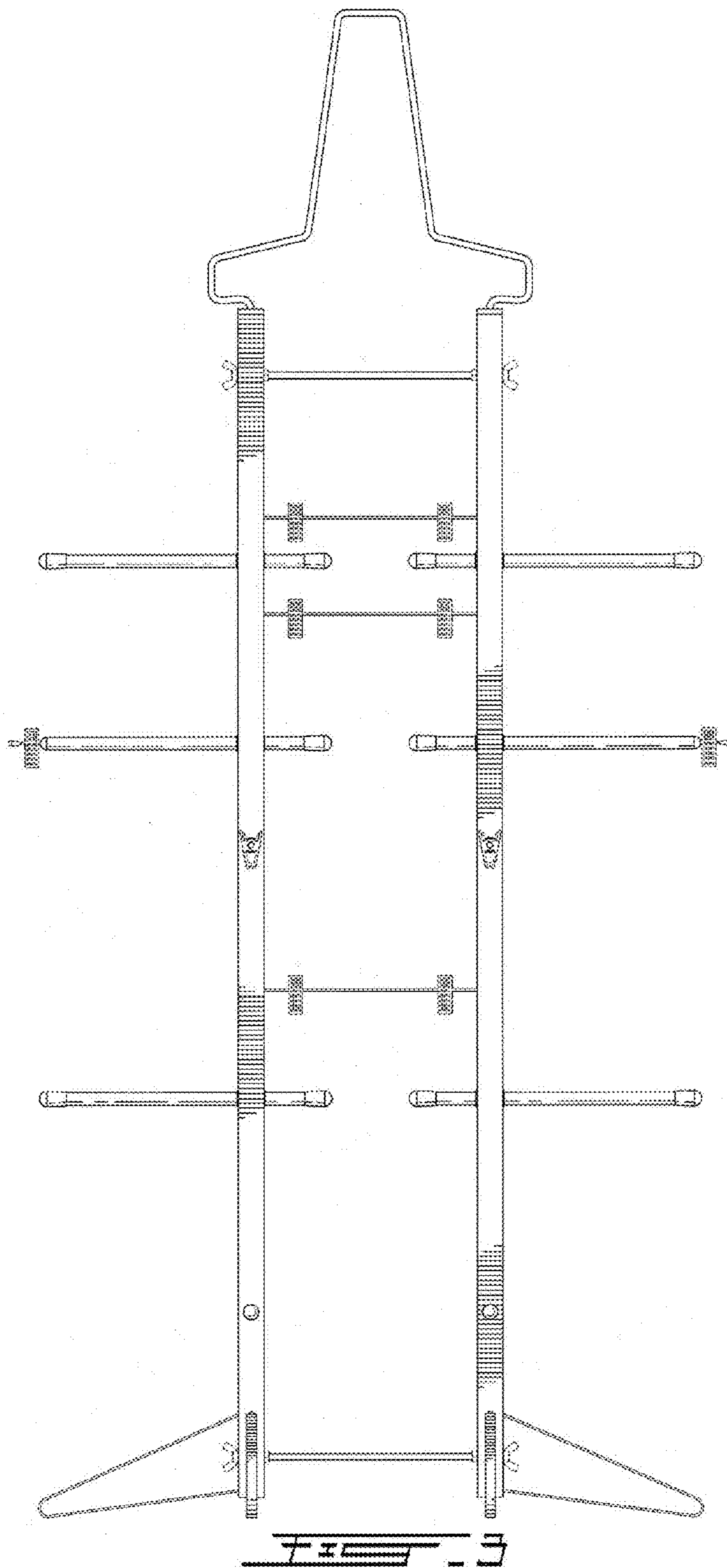


FIG. 1







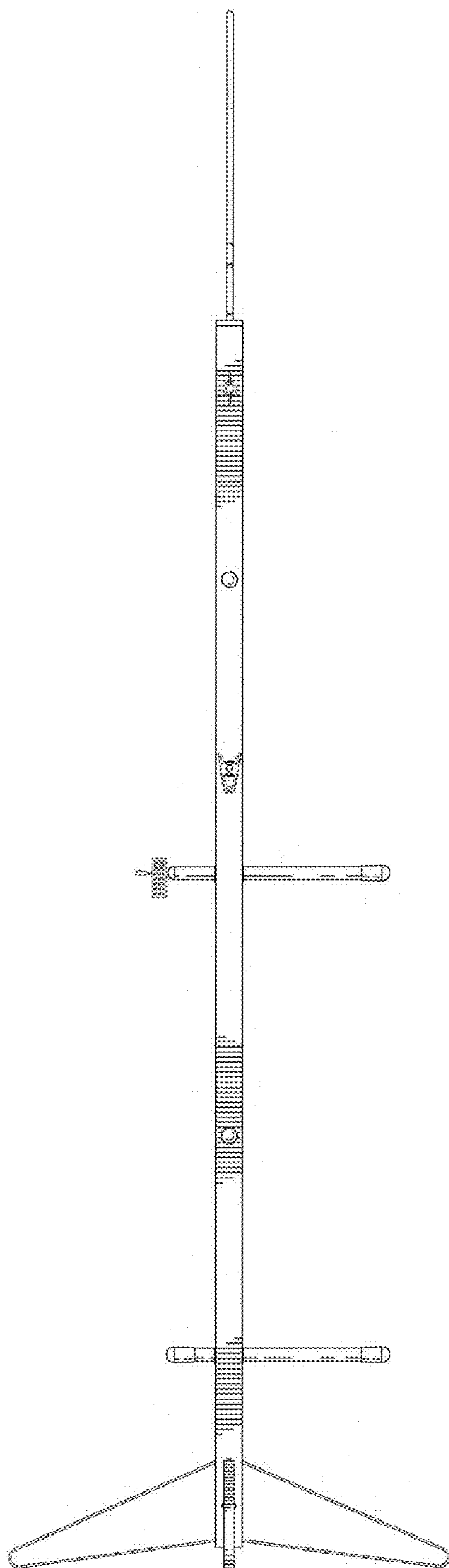


FIG. 4

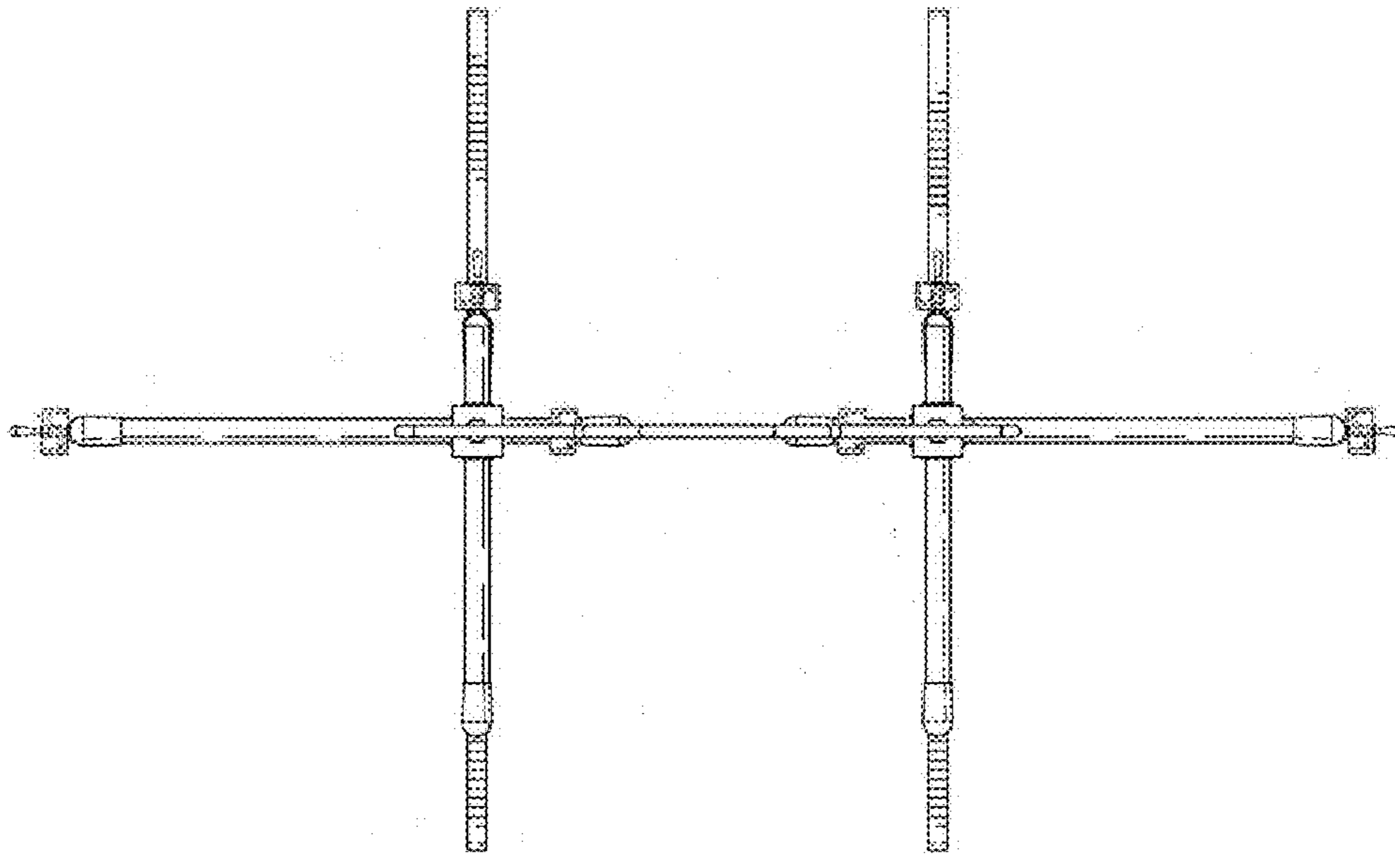


FIG. 5

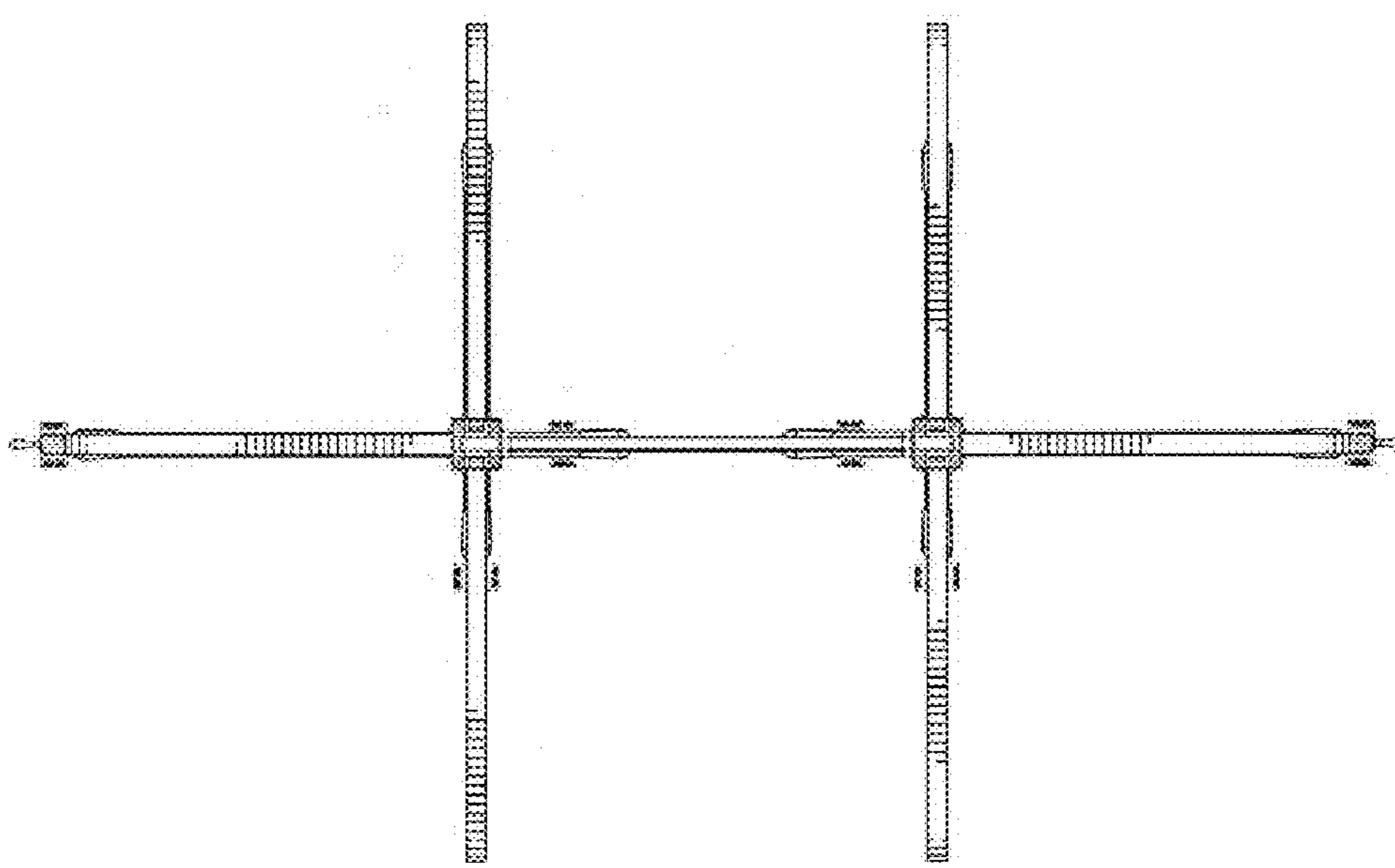


FIG. 6