



(12) **United States Design Patent**  
**Lam**

(10) **Patent No.:** **US D599,600 S**  
(45) **Date of Patent:** **\*\* Sep. 8, 2009**

(54) **ELECTRIC FOLDABLE TOWEL WARMER**

(57) **CLAIM**

(75) Inventor: **Wing Yiu Lam**, Shatin (HK)

The ornamental design for a electric foldable towel warmer, as shown and described.

(73) Assignee: **Sincere International Trading Co., Ltd.**, Shatin (HK)

(\*\*) Term: **14 Years**

**DESCRIPTION**

(21) Appl. No.: **29/274,861**

FIG. 1 is a perspective view from the top of an electric foldable towel warmer;

(22) Filed: **Jun. 1, 2007**

FIG. 2 is a perspective view thereof from below;

(51) **LOC (9) Cl.** ..... **06-04**

FIG. 3 is a front view thereof;

(52) **U.S. Cl.** ..... **D6/548**

FIG. 4 is a rear view thereof;

(58) **Field of Classification Search** ..... D6/410,  
D6/411, 462, 546, 548, 553, 567, 574, 566;  
D32/58, 59; 242/597.5, 597.7, 597.8; 211/13.1,  
211/26, 86.01, 119.004, 123, 124, 181.1,  
211/16; 248/127, 153, 175, 176.1, 200.1,  
248/302, 309.1

FIG. 5 is a top plan view thereof;

FIG. 6 is a bottom plan view thereof;

FIG. 7 is a right side view thereof;

FIG. 8 is a left side view thereof;

See application file for complete search history.

FIG. 9 is a perspective view thereof in a first alternative configuration;

FIG. 10 is a perspective view thereof in a second alternative configuration;

(56) **References Cited**

**U.S. PATENT DOCUMENTS**

D176,436 S	*	12/1955	Youhouse et al.	.....	D32/58
D324,620 S	*	3/1992	Chalot	.....	D6/548
D412,630 S	*	8/1999	Lowe	.....	D6/462
D436,777 S	*	1/2001	Walker	.....	D6/548
D456,167 S	*	4/2002	Harwanko	.....	D6/410

FIG. 11 is a perspective view thereof in a third alternative configuration;

FIG. 12 is a perspective view thereof in a fourth alternative configuration;

FIG. 13 is a perspective view thereof in a fifth alternative configuration; and,

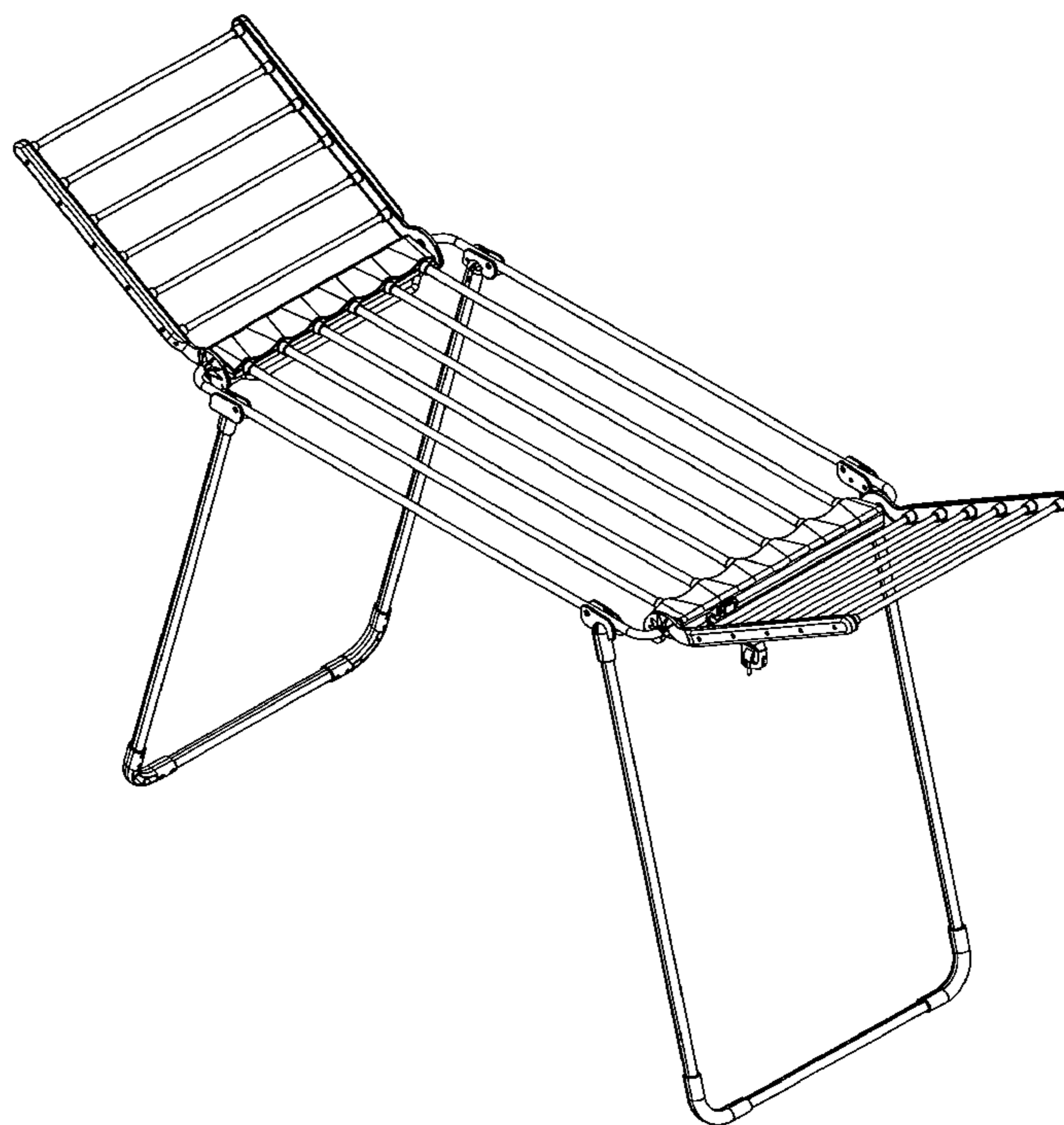
FIG. 14 is a perspective view thereof in a sixth alternative configuration.

\* cited by examiner

*Primary Examiner*—Brian N Vinson

(74) *Attorney, Agent, or Firm*—Buchanan Ingersoll & Rooney PC

**1 Claim, 14 Drawing Sheets**



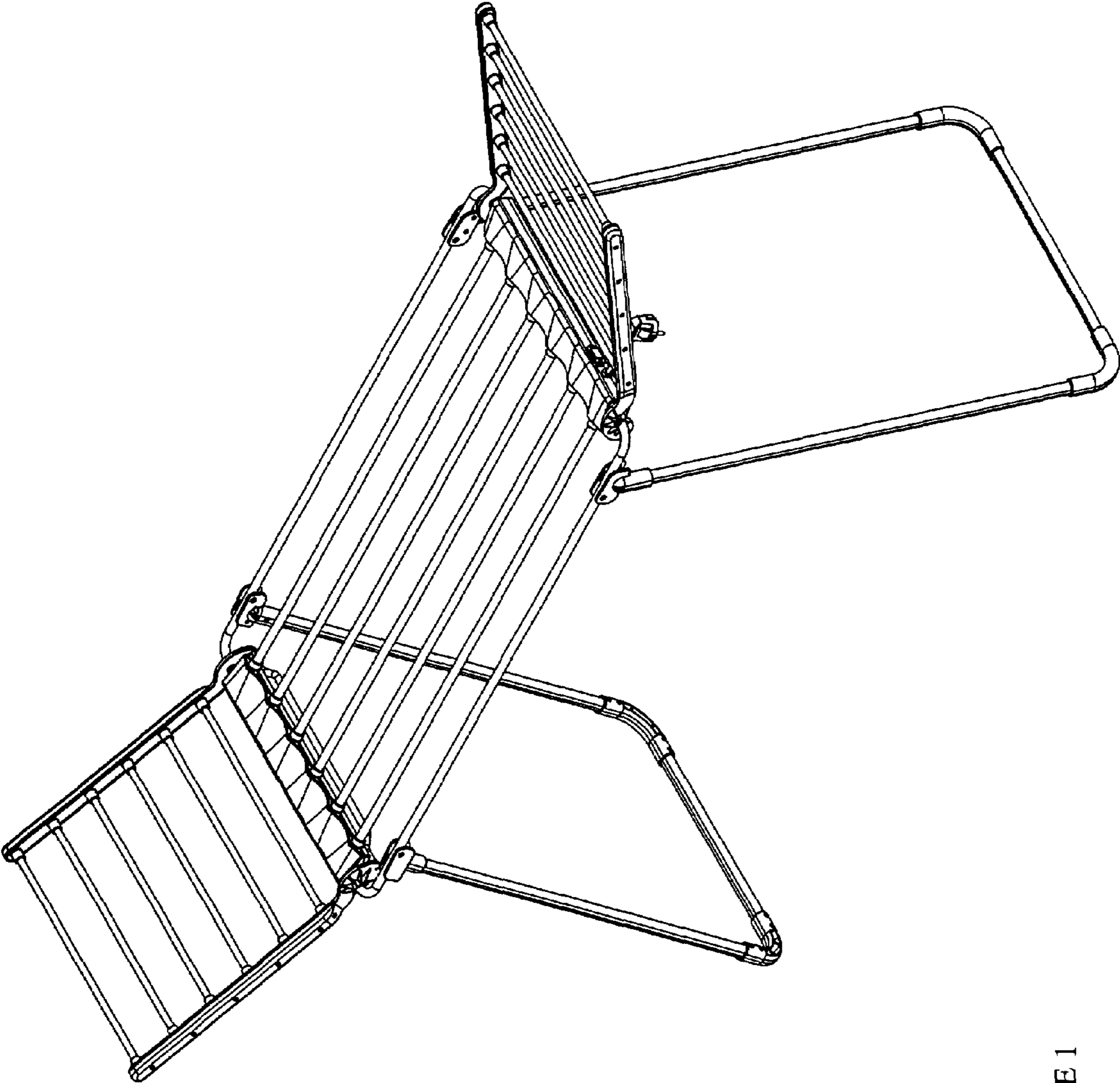


FIGURE 1

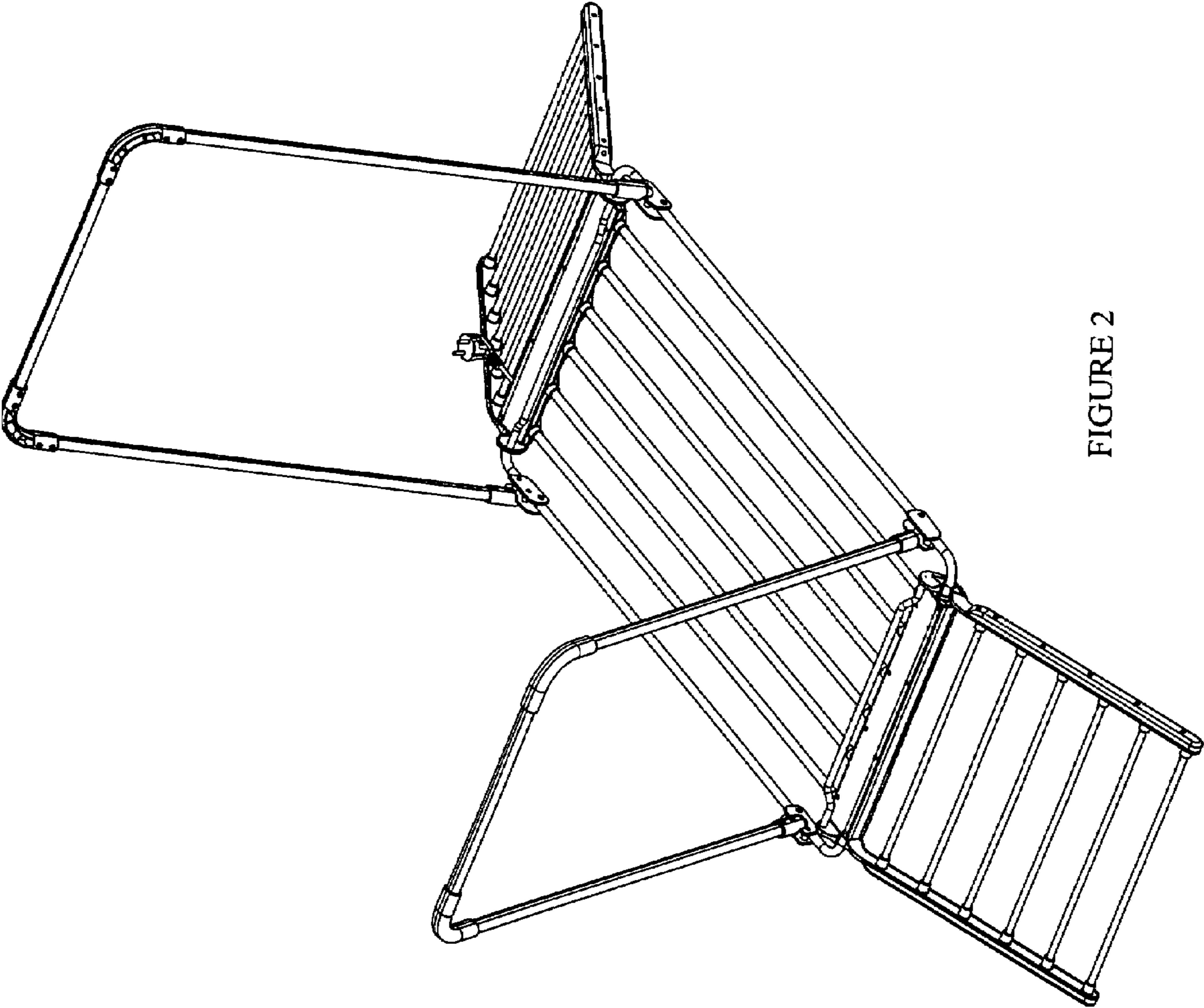


FIGURE 2

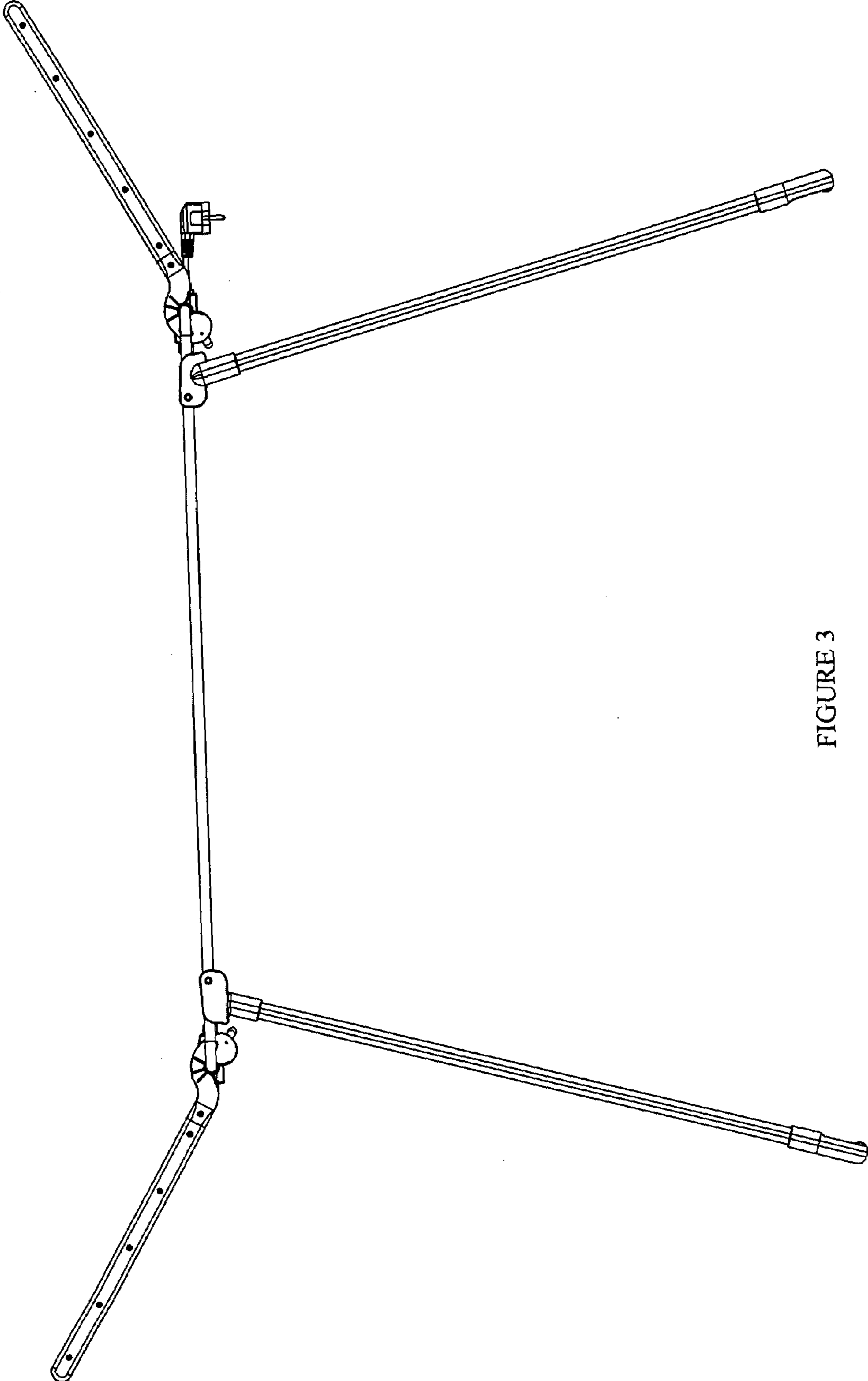


FIGURE 3

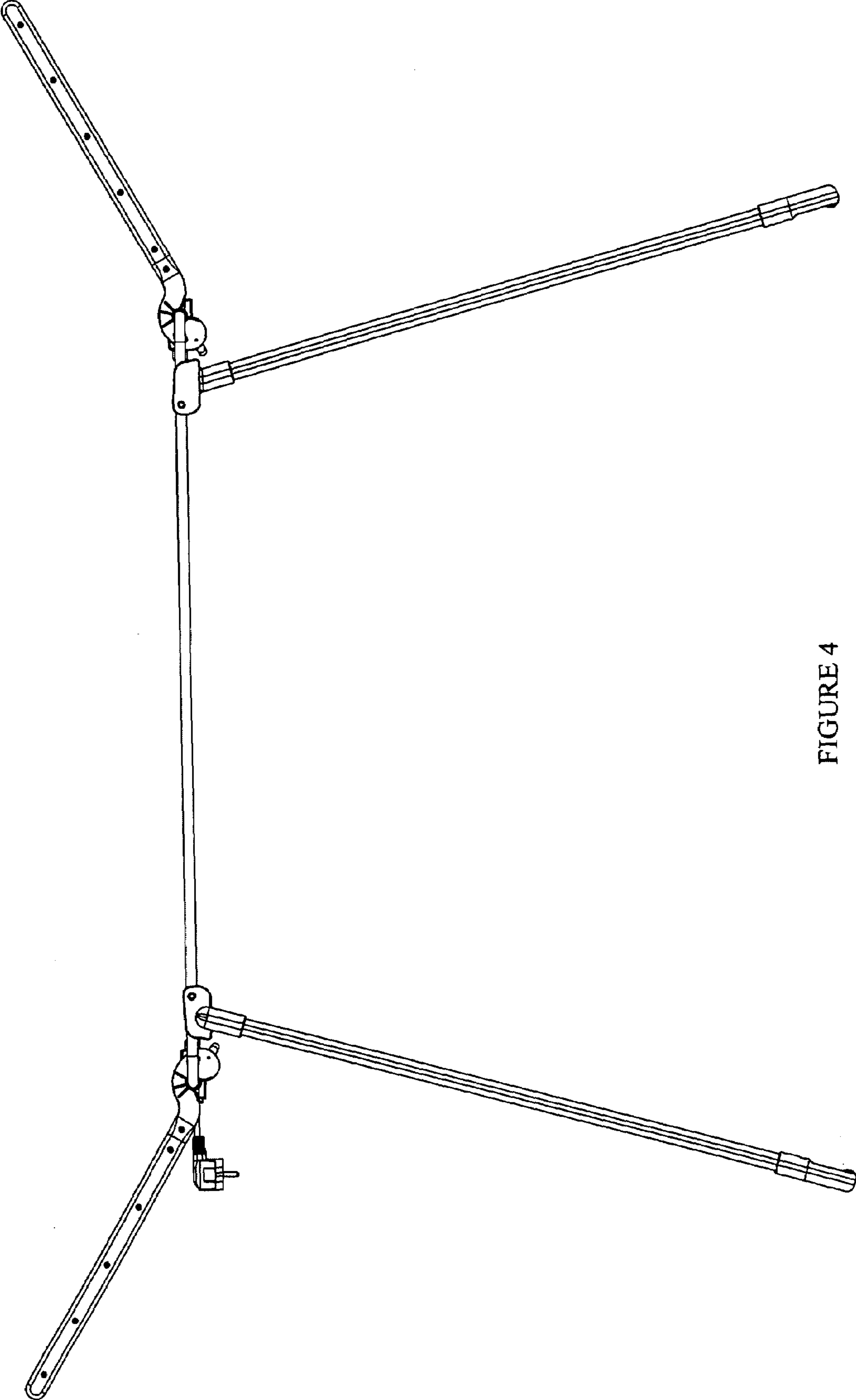


FIGURE 4

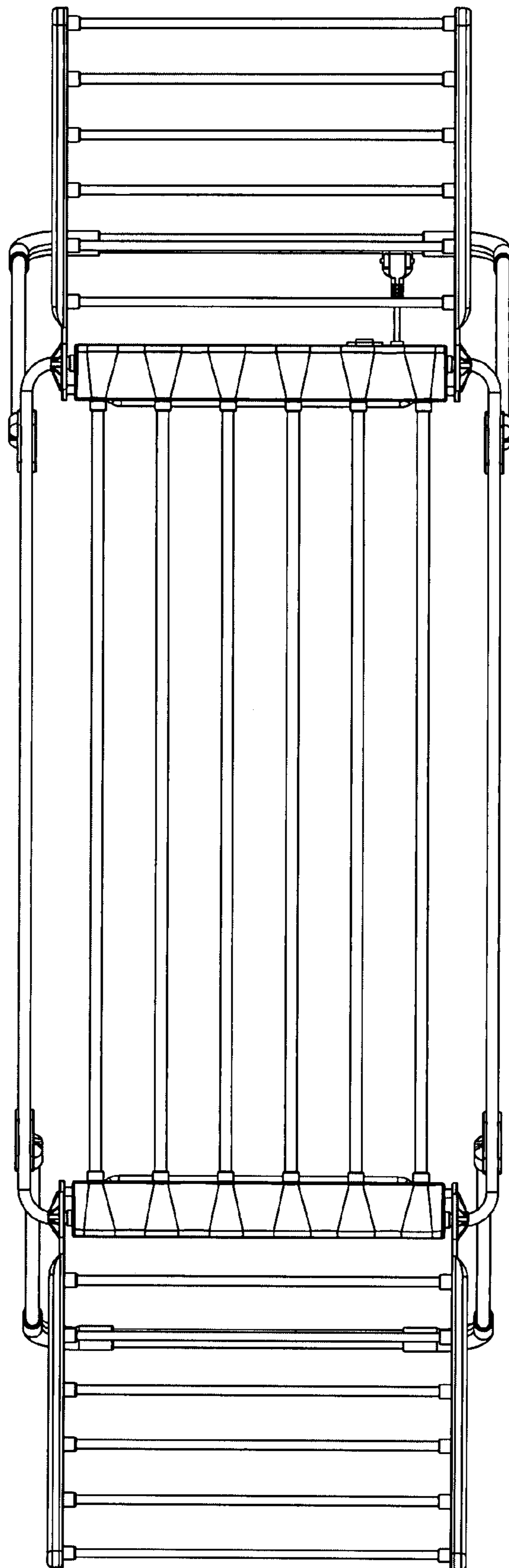


FIGURE 5

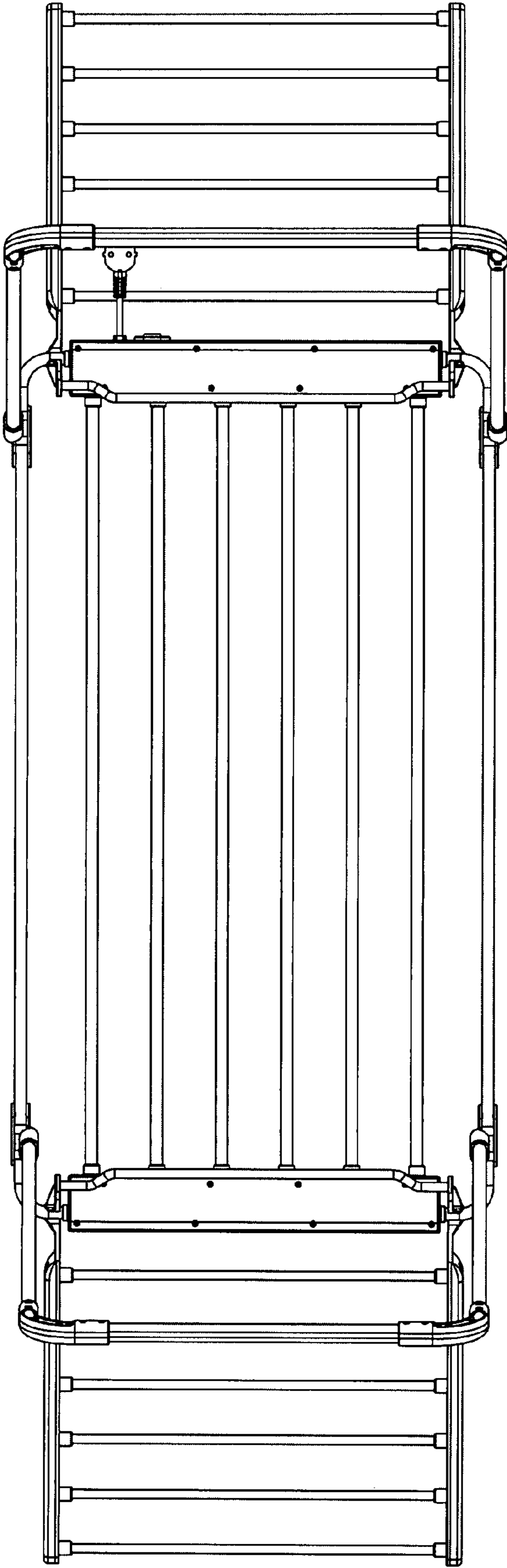


FIGURE 6

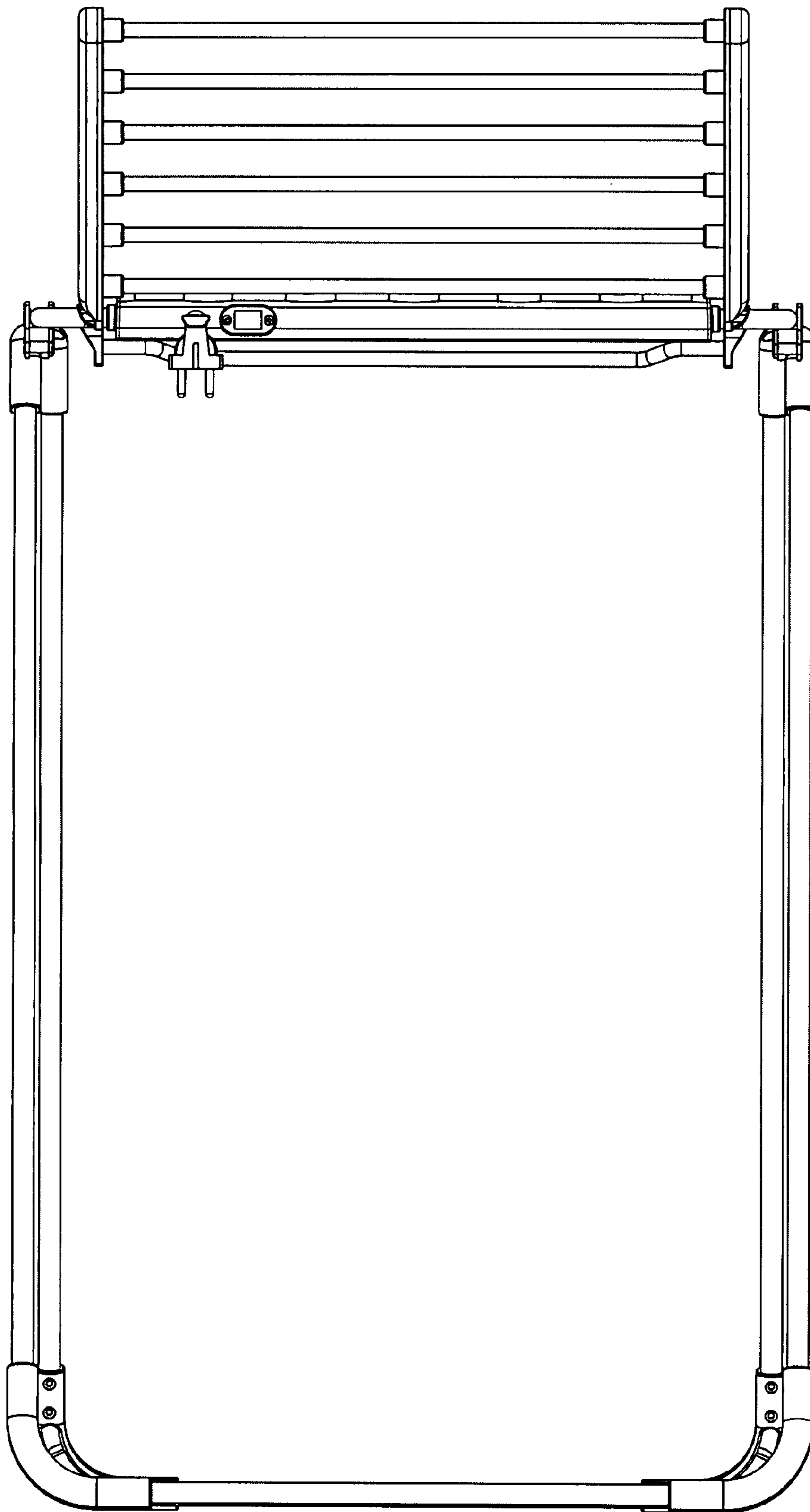


FIGURE 7



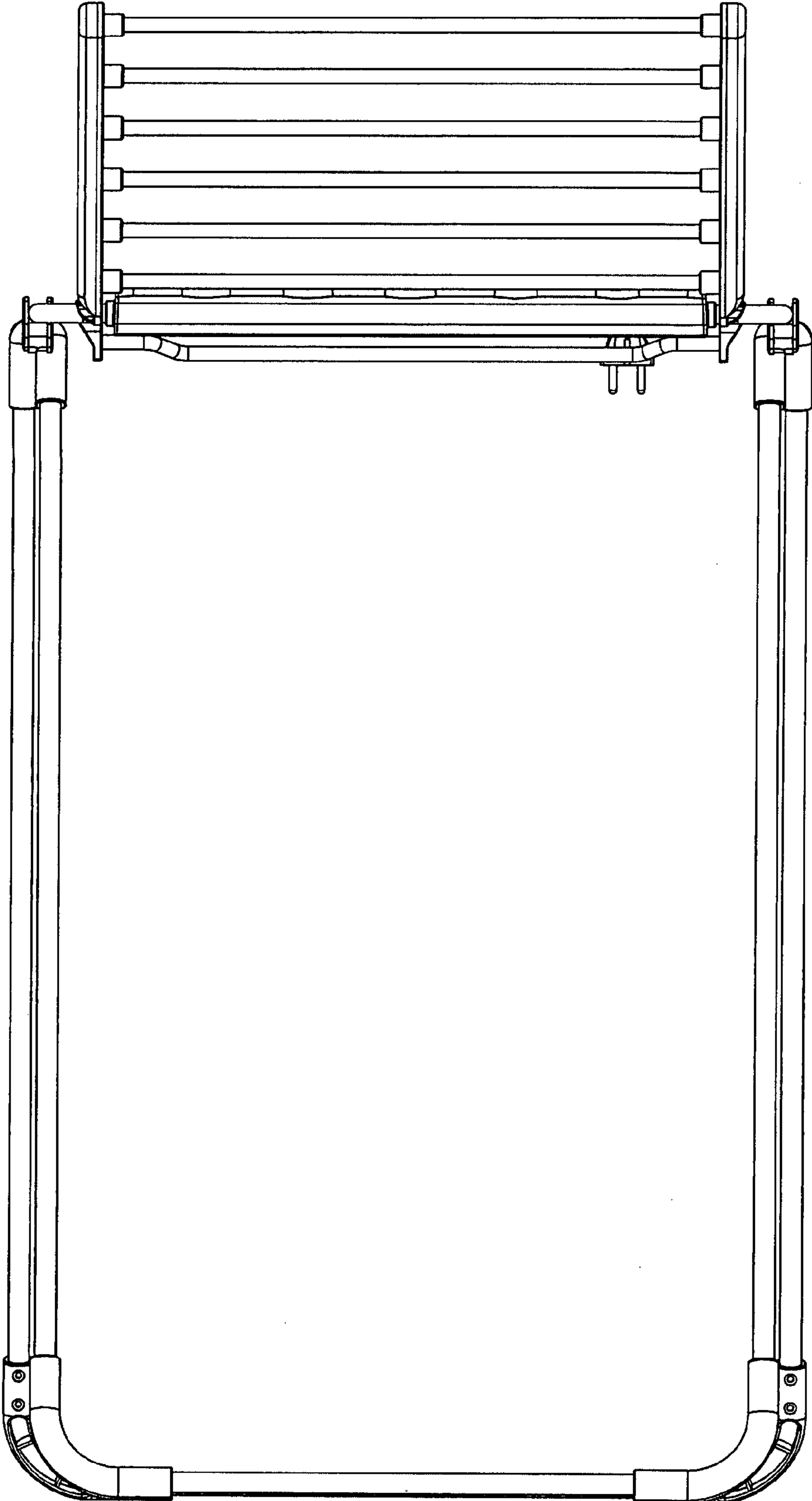


FIGURE 8

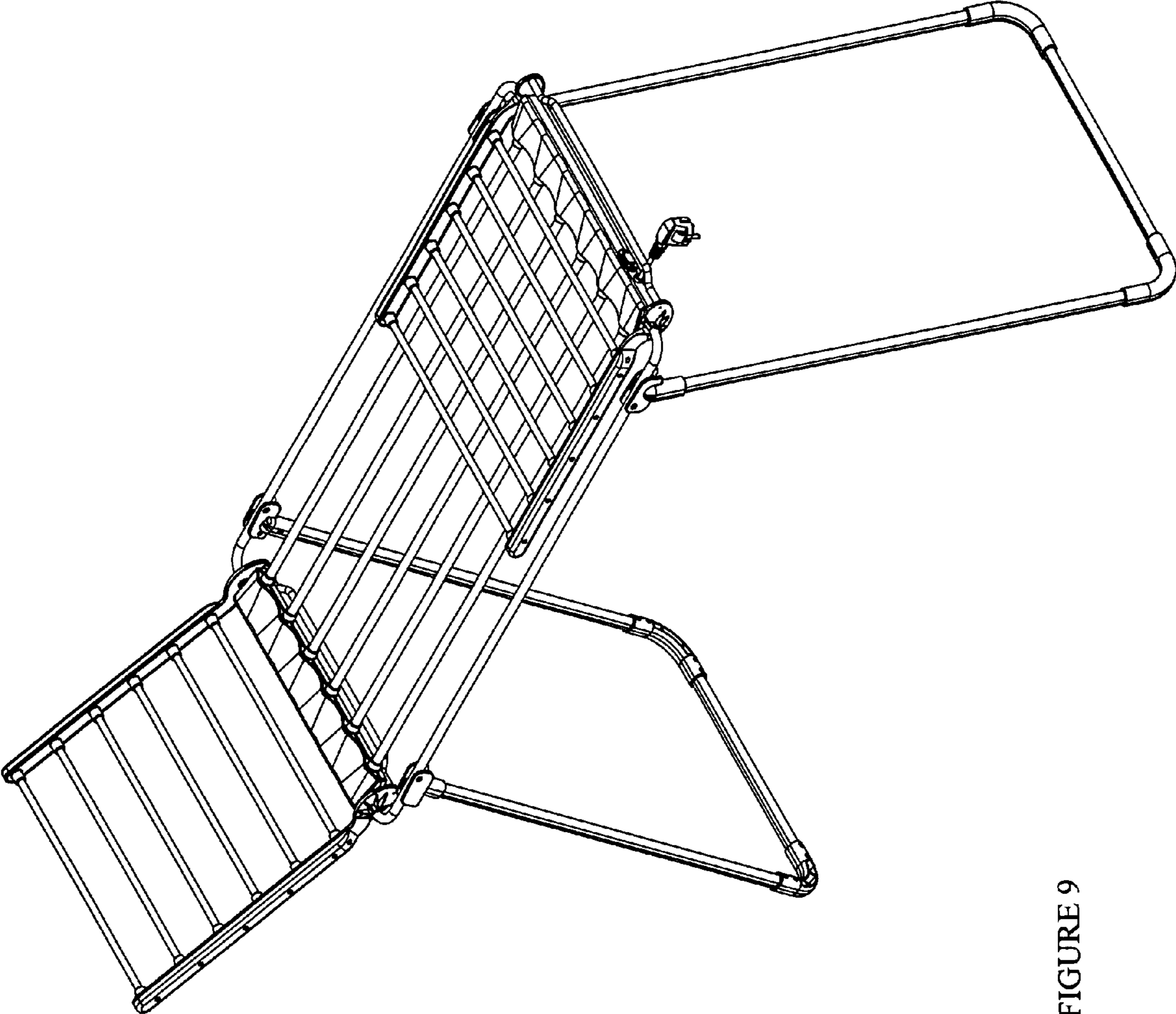


FIGURE 9

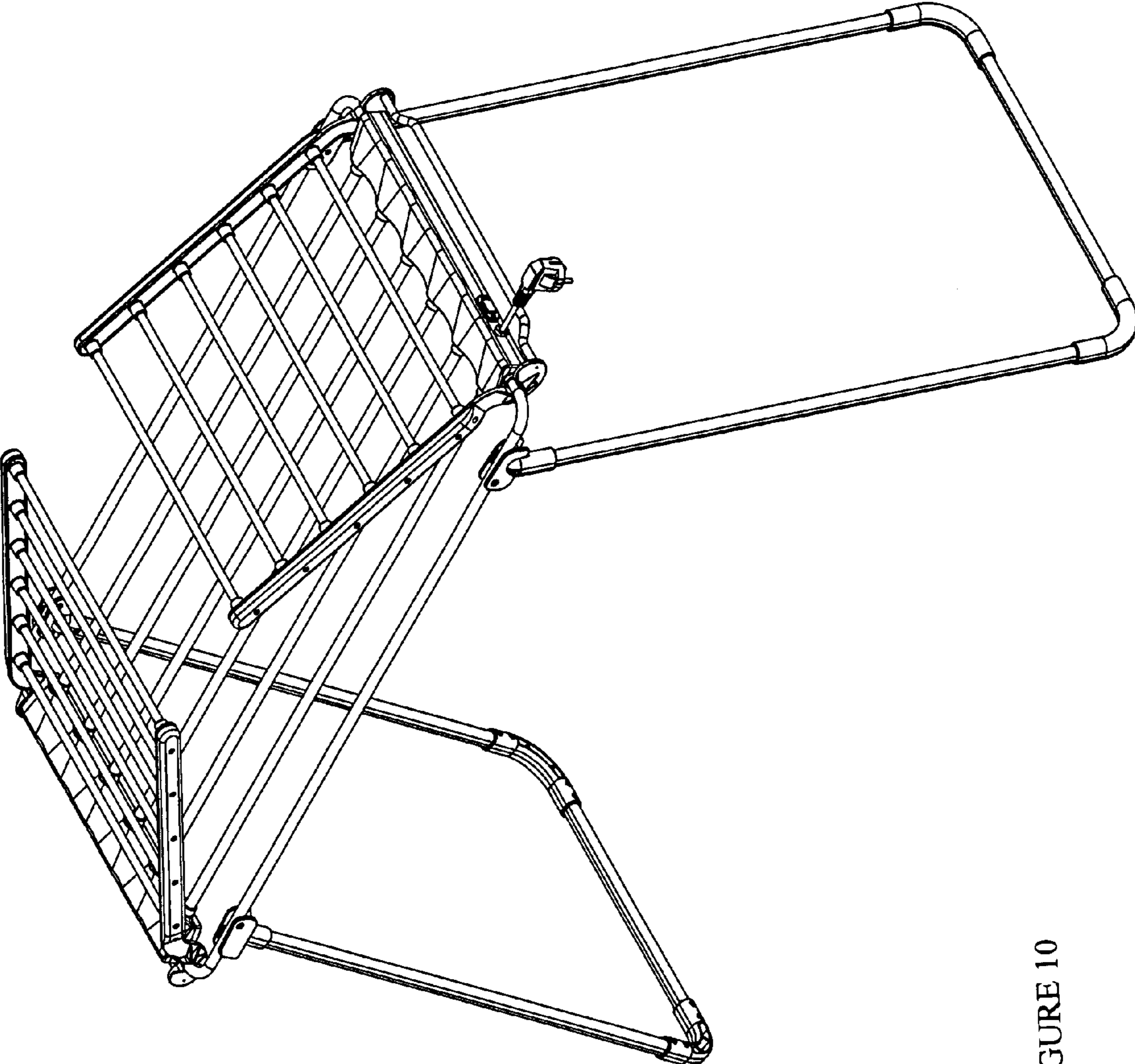


FIGURE 10

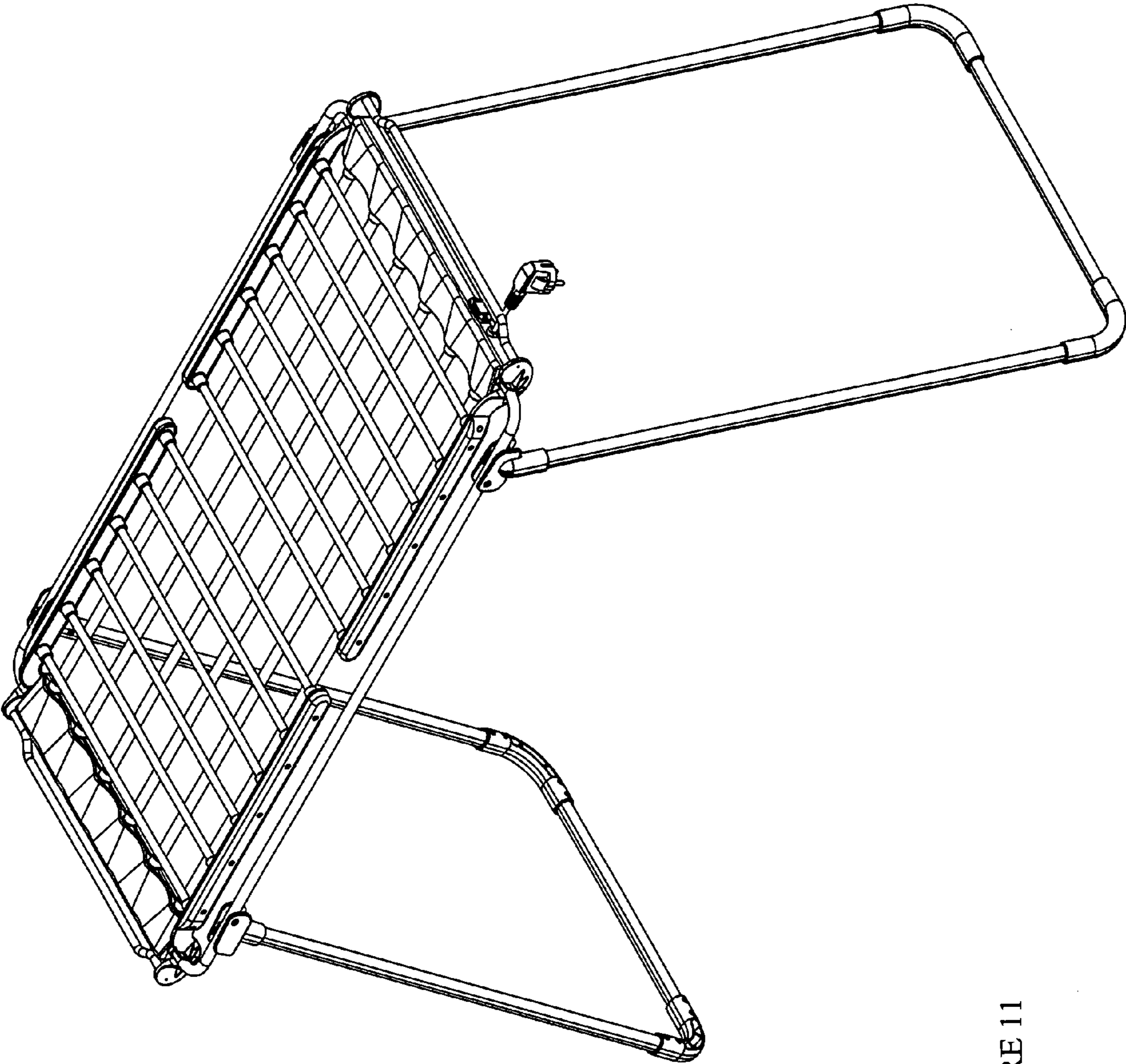


FIGURE 11

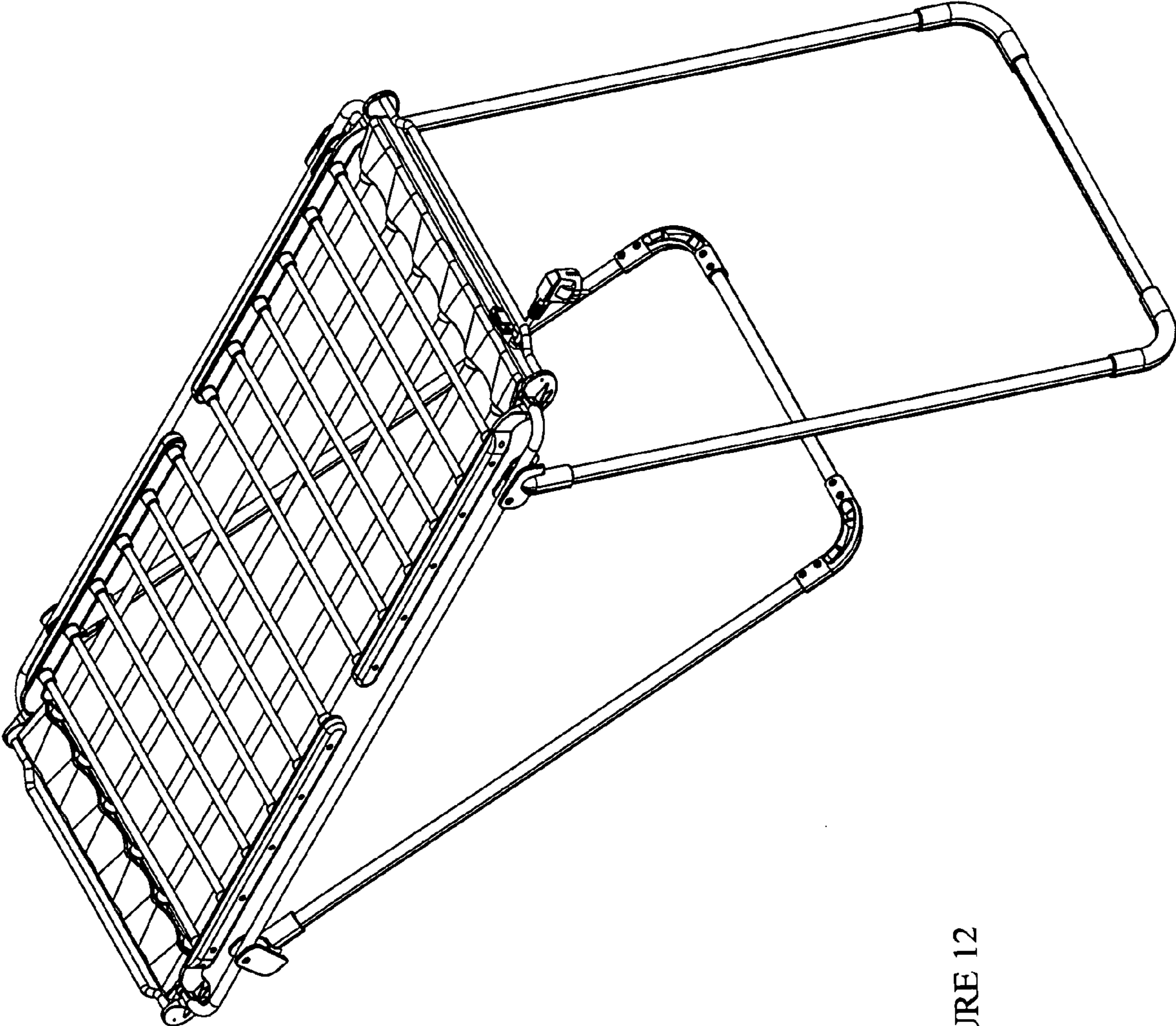


FIGURE 12

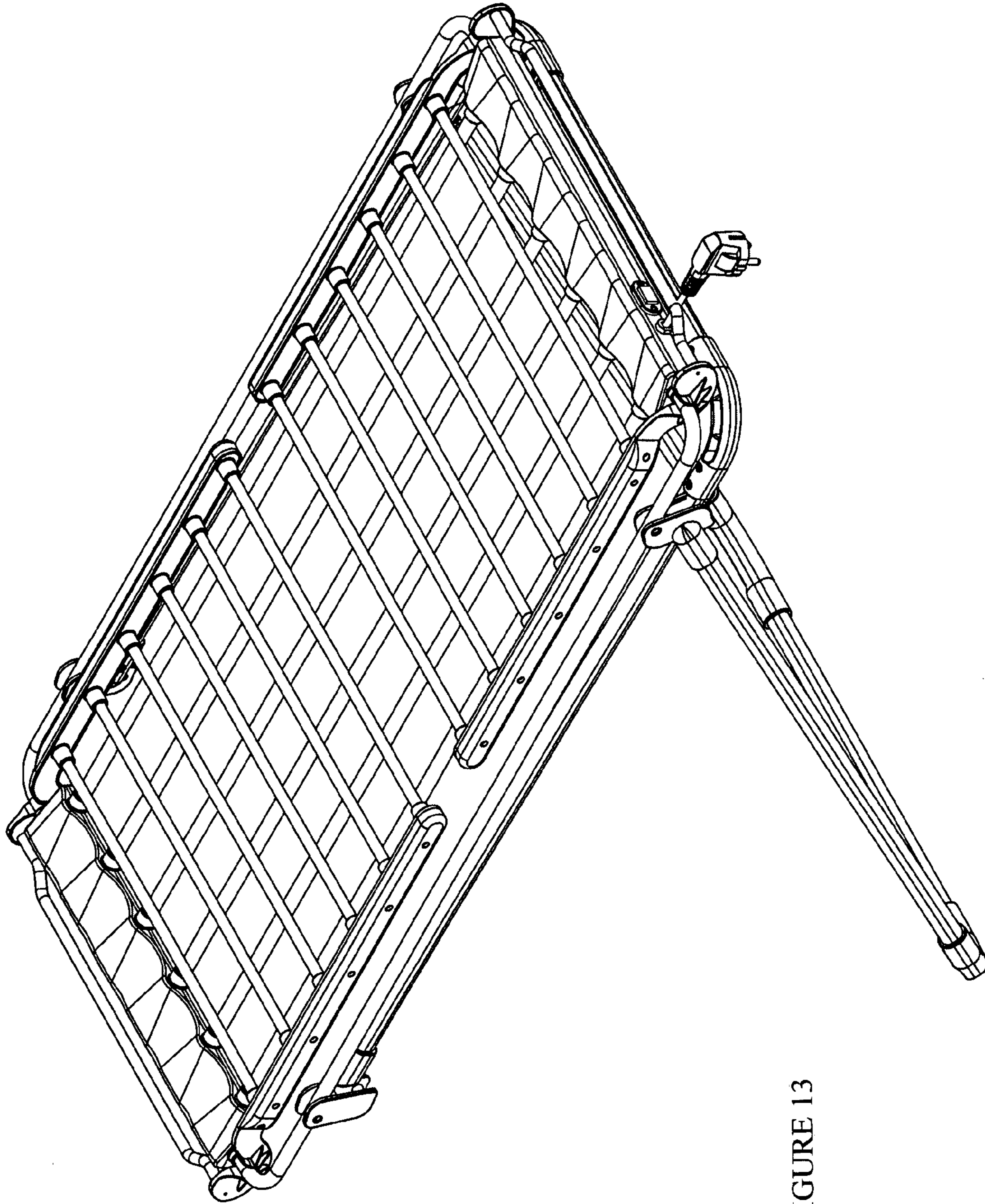


FIGURE 13

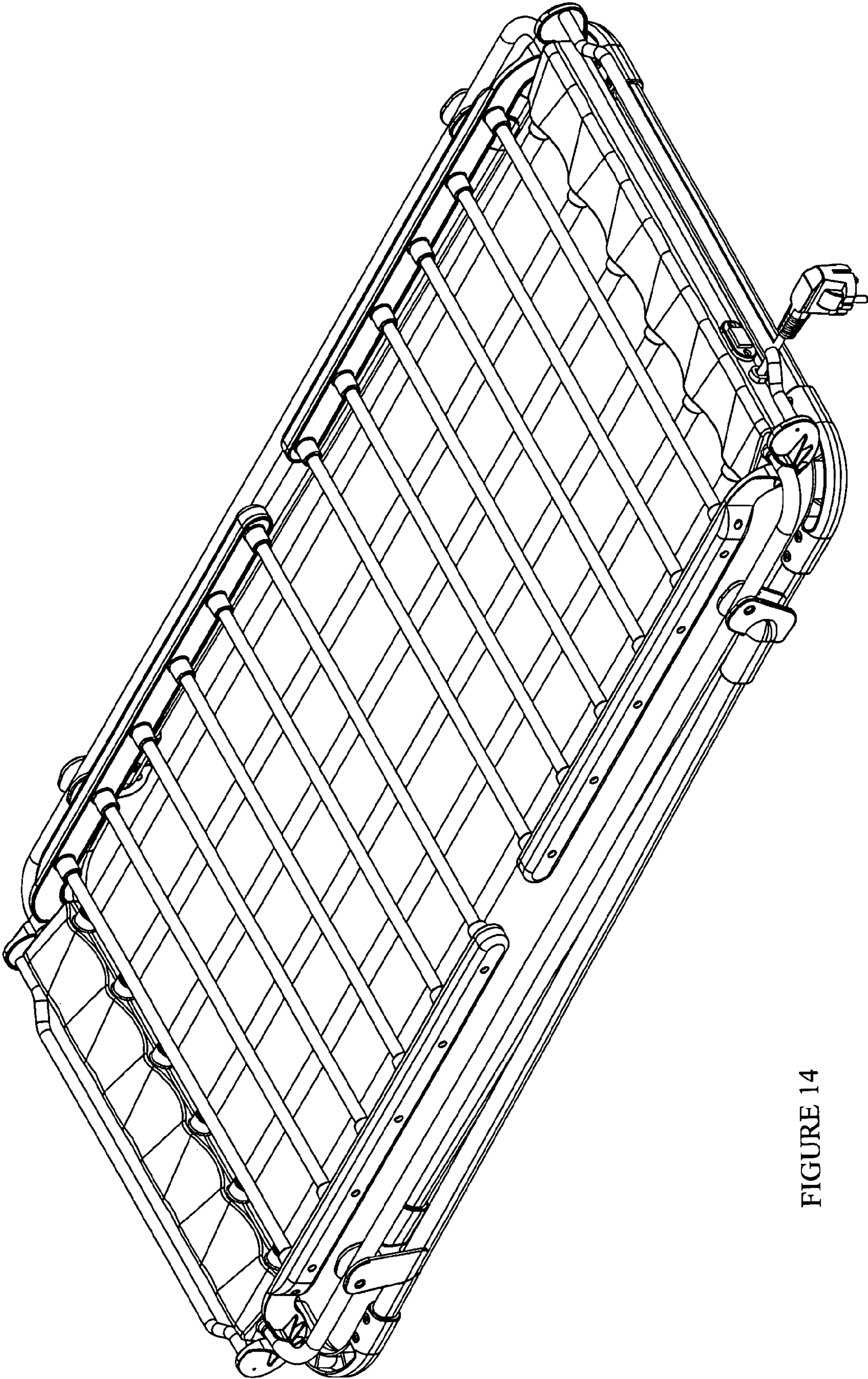


FIGURE 14