



US00D599598S

(12) **United States Design Patent**  
**Ghiorghie**

(10) **Patent No.:** **US D599,598 S**

(45) **Date of Patent:** **\*\* Sep. 8, 2009**

(54) **SOAP DISPENSER**

D551,087 S \* 9/2007 Snell ..... D6/542  
D554,410 S \* 11/2007 Snell ..... D6/542  
D581,193 S \* 11/2008 Ghiorghie ..... D6/542

(75) Inventor: **Radu Alexandru Ghiorghie**, Copley,  
OH (US)

**OTHER PUBLICATIONS**

(73) Assignee: **InterDesign, Inc.**, Solon, OH (US)

2007 InterDesign, Inc. product brochure, p. 2, 3, 4, 5, 6, 7, 8, 9, 10, 12,  
13, 14, 15, 17, 49 w/front & back cover.

(\*\*) Term: **14 Years**

\* cited by examiner

(21) Appl. No.: **29/313,972**

*Primary Examiner*—Brian N Vinson

(22) Filed: **Feb. 23, 2009**

(74) *Attorney, Agent, or Firm*—D. Peter Hochberg; Sean F.  
Mellino; Daniel J. Smola

(51) **LOC (9) Cl.** ..... **23-02**

(52) **U.S. Cl.** ..... **D6/542**

(58) **Field of Classification Search** ..... D6/542–545;  
221/281–282; 222/14, 173, 146.3, 628, 251,  
222/181.1, 181.3; D9/682, 688, 690, 691,  
D9/448, 449

(57) **CLAIM**

See application file for complete search history.

The ornamental design for an soap dispenser, as shown and  
described.

**DESCRIPTION**

(56) **References Cited**

FIG. 1 is a perspective view of the soap dispenser according  
to the invention;

**U.S. PATENT DOCUMENTS**

FIG. 2 is a top view of the soap dispenser as shown in FIG. 1;

D477,990 S *	8/2003	Dretzka	.....	D6/542
D477,991 S *	8/2003	Dretzka	.....	D6/542
D484,039 S	12/2003	Dretzka		
D484,401 S *	12/2003	Dretzka	.....	D6/542
D486,336 S	2/2004	Snell		
D530,954 S *	10/2006	Snell	.....	D6/542
D531,843 S	11/2006	Snell		
D531,844 S	11/2006	Snell		
D537,360 S *	2/2007	Snell	.....	D6/542
D537,361 S *	2/2007	Dretzka	.....	D6/542
D538,092 S	3/2007	Snell		
D538,177 S *	3/2007	Dretzka	.....	D6/542

FIG. 3 is a front view of the soap dispenser as shown in FIG. 1;

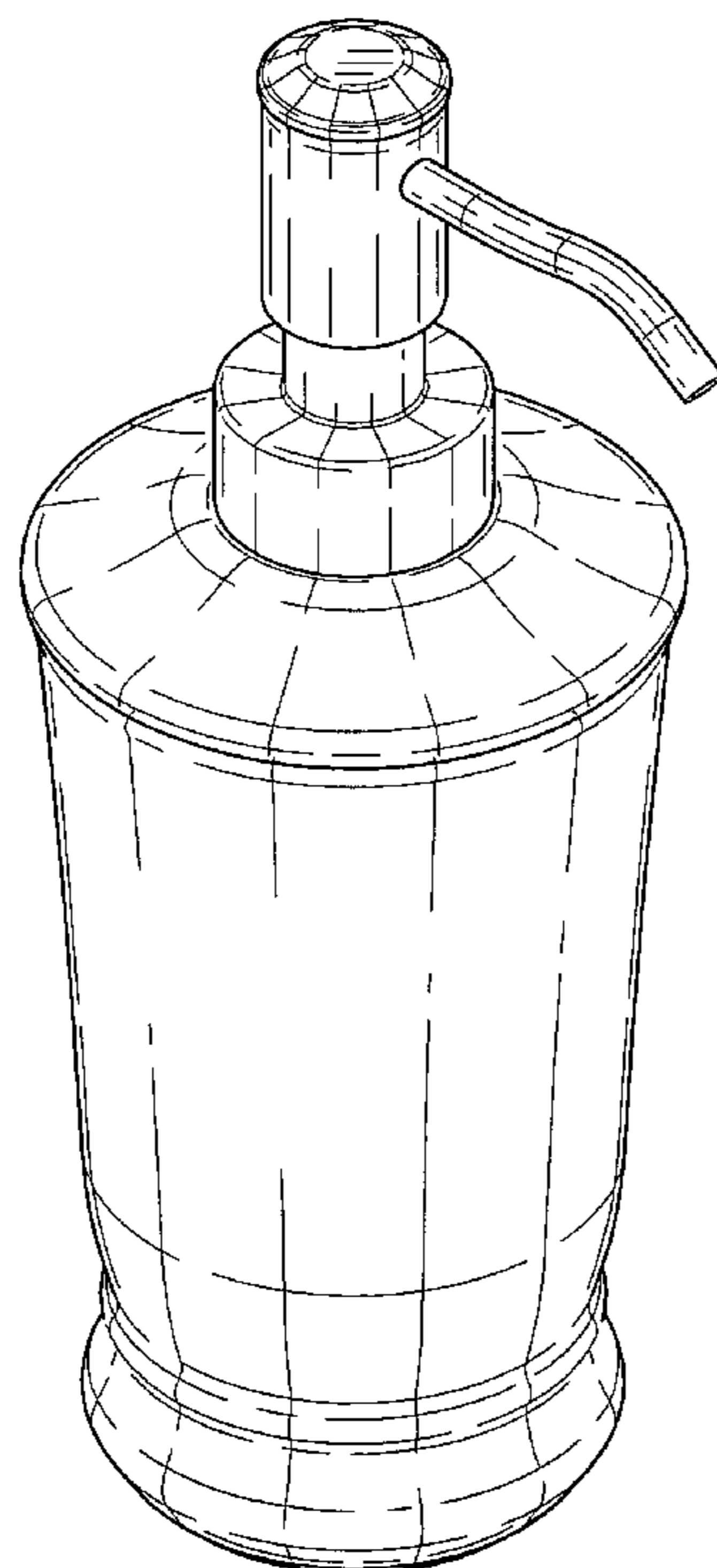
FIG. 4 is a side view of the soap dispenser as shown in FIG. 1;

FIG. 5 is a rear view of the soap dispenser as shown in FIG. 1;

FIG. 6 is a side view of the soap dispenser as shown in FIG. 1,  
shown from the opposite side as that shown in FIG. 4; and,

FIG. 7 is a bottom view of the soap dispenser as shown in FIG. 1.

**1 Claim, 3 Drawing Sheets**



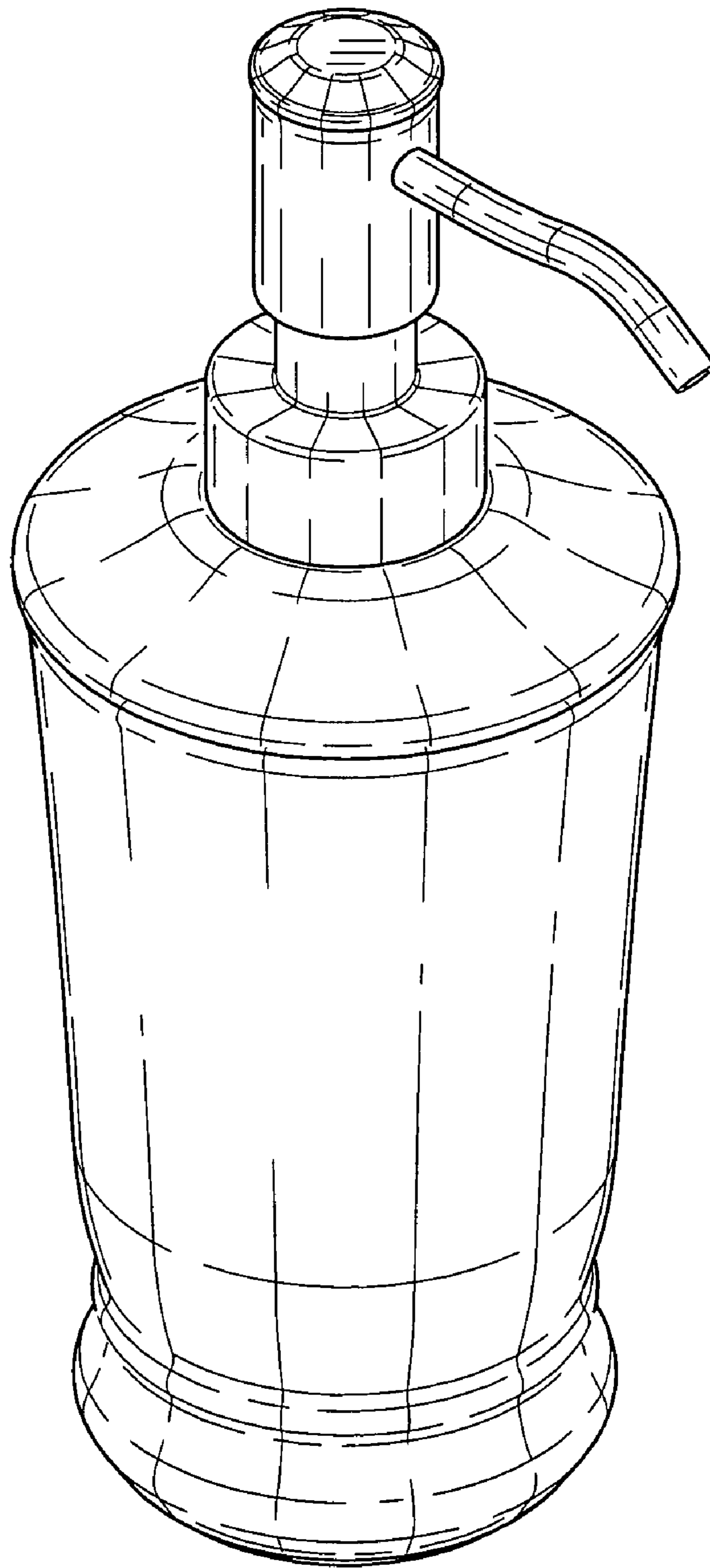
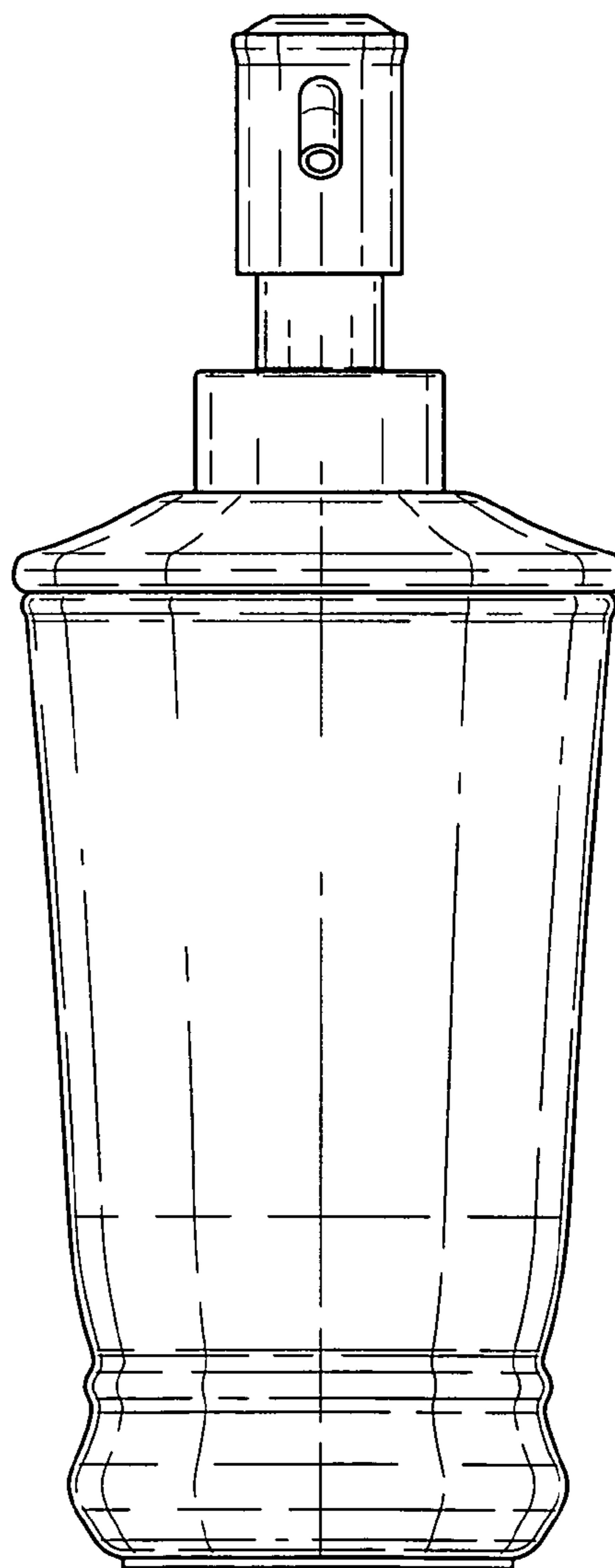
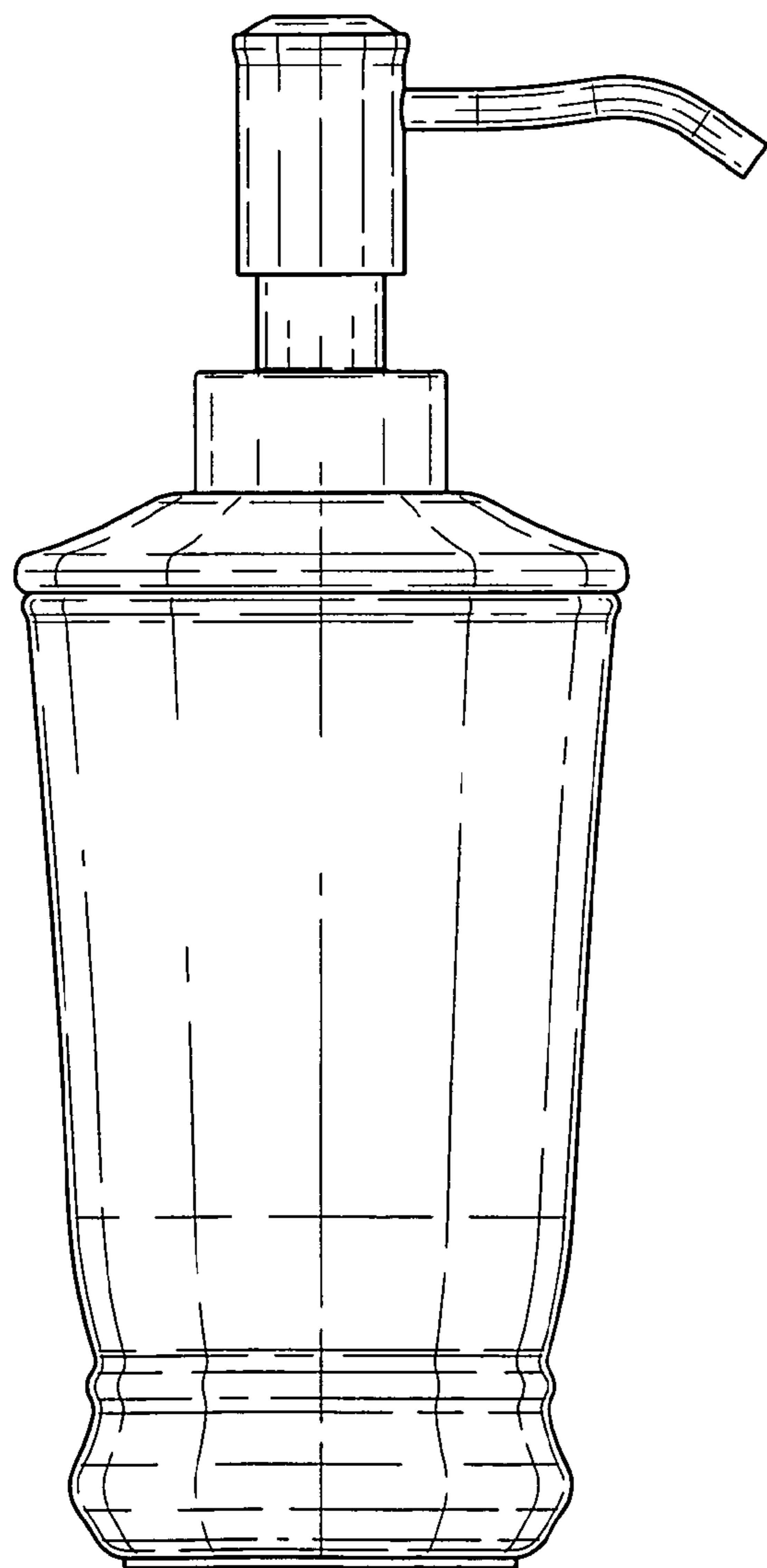
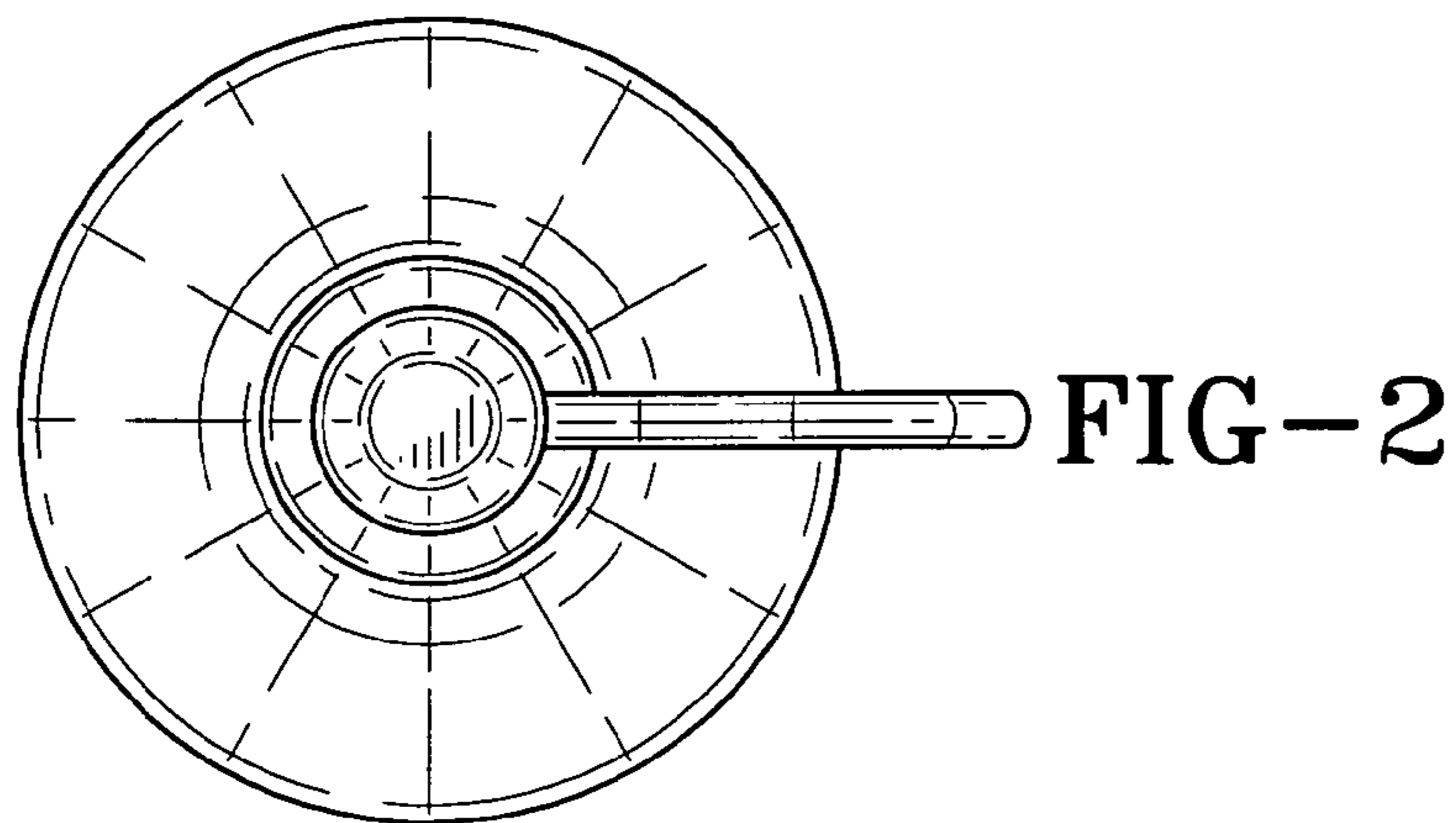


FIG-1



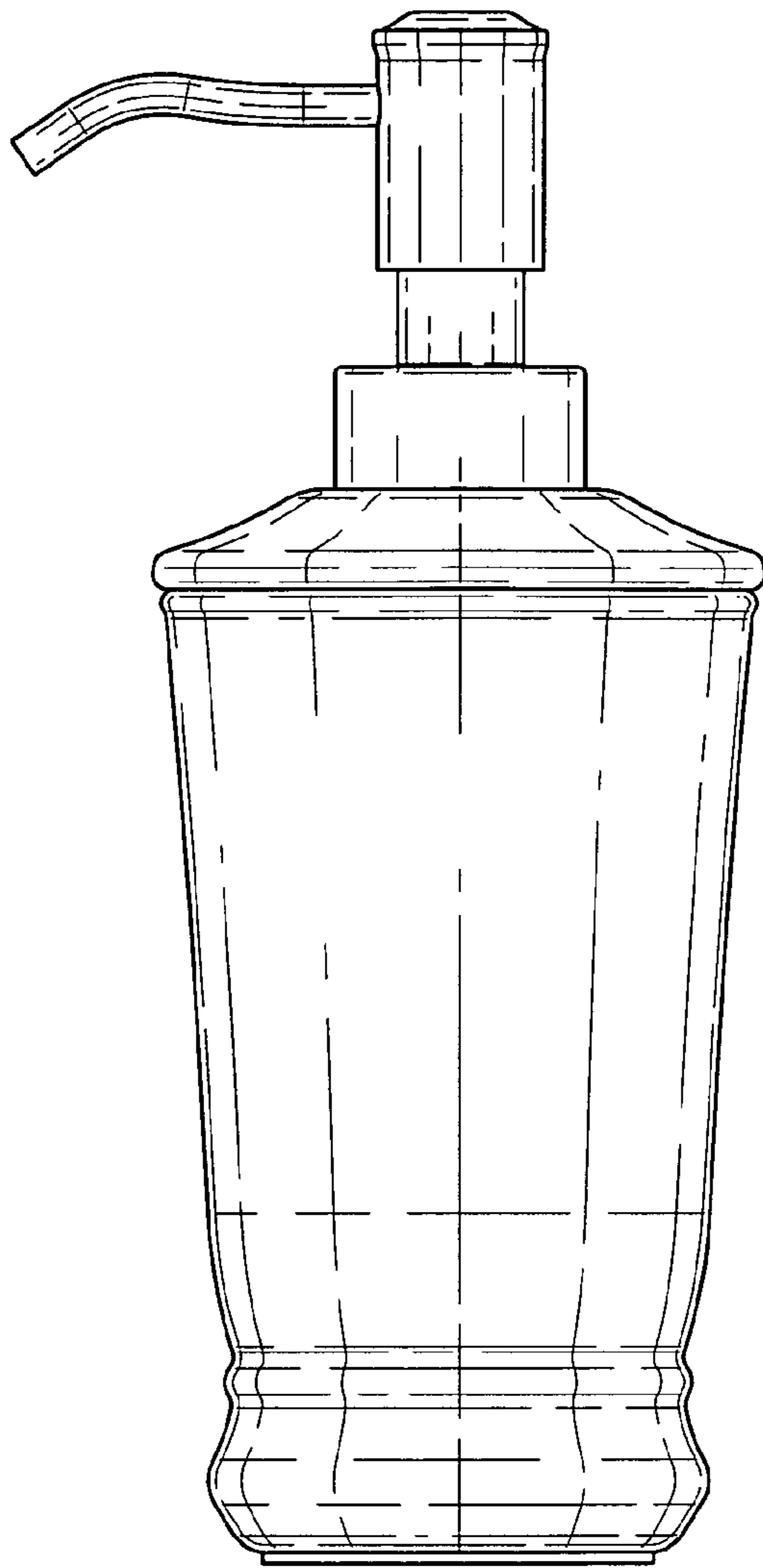


FIG-5

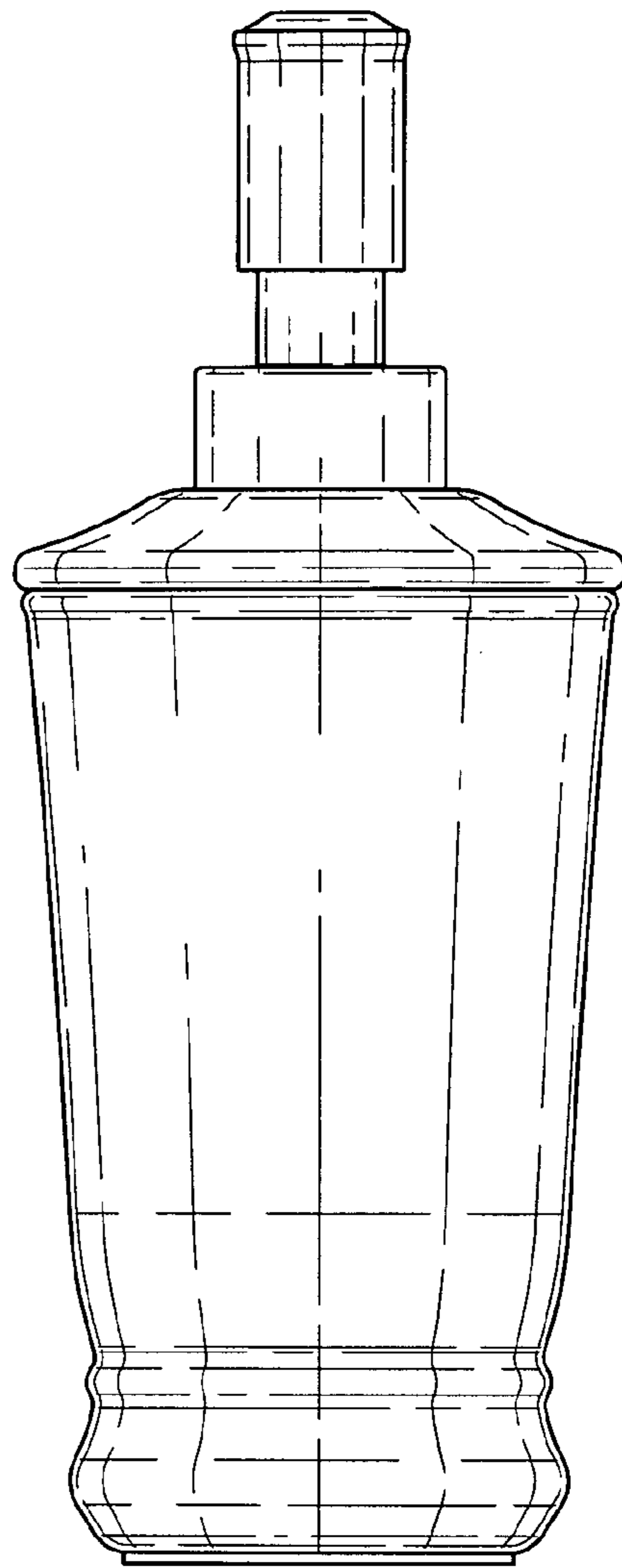


FIG-6

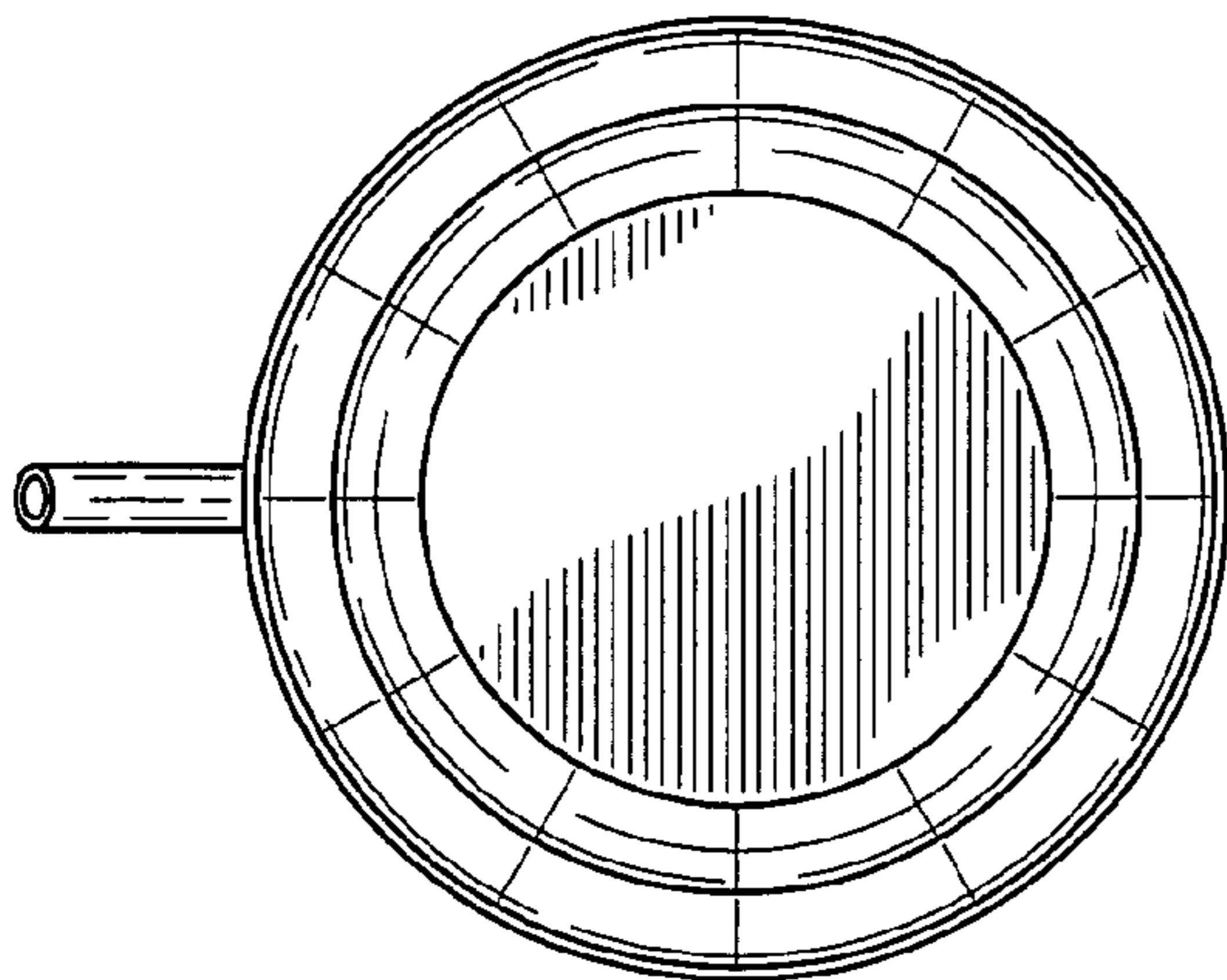


FIG-7