



US00D599597S

(12) **United States Design Patent**  
**Dretzka**

(10) **Patent No.:** **US D599,597 S**  
(45) **Date of Patent:** **\*\* Sep. 8, 2009**

(54) **SOAP DISPENSER**

D581,193 S \* 11/2008 Ghiorghie ..... D6/542

(75) Inventor: **Philip C. Dretzka**, Mariemont, OH (US)

(73) Assignee: **InterDesign, Inc.**, Solon, OH (US)

(\*\*) Term: **14 Years**

(21) Appl. No.: **29/312,956**

(22) Filed: **Nov. 25, 2008**

(51) **LOC (9) Cl.** ..... **23-02**

(52) **U.S. Cl.** ..... **D6/542**

(58) **Field of Classification Search** ..... D6/542-545;  
221/281-282; 222/14, 173, 146.3, 628, 251,  
222/181.1, 181.3; D9/682, 688, 690, 691,  
D9/448, 449

See application file for complete search history.

(56) **References Cited**

**U.S. PATENT DOCUMENTS**

D477,990 S	*	8/2003	Dretzka	.....	D6/542
D477,991 S	*	8/2003	Dretzka	.....	D6/542
D484,039 S		12/2003	Dretzka		
D484,401 S	*	12/2003	Dretzka	.....	D6/542
D530,954 S	*	10/2006	Snell	.....	D6/542
D537,360 S	*	2/2007	Snell	.....	D6/542
D537,361 S	*	2/2007	Dretzka	.....	D6/542
D538,092 S		3/2007	Snell		
D538,177 S	*	3/2007	Dretzka	.....	D6/542
D551,087 S	*	9/2007	Snell	.....	D6/542
D554,410 S	*	11/2007	Snell	.....	D6/542

**OTHER PUBLICATIONS**

2007 InterDesign, Inc. product brochure, p. 2, 3, 4, 5, 6, 7, 8, 9, 10, 12, 13, 14, 15, 17, w/front & back cover.

\* cited by examiner

*Primary Examiner*—Brian N Vinson

(74) *Attorney, Agent, or Firm*—D. Peter Hochberg; Sean F. Mellino; Daniel J. Smola

(57) **CLAIM**

The ornamental design for a soap dispenser, as shown and described.

**DESCRIPTION**

FIG. 1 is a perspective view of the soap dispenser according to the invention;

FIG. 2 is a top view of the soap dispenser as shown in FIG. 1;

FIG. 3 is a side view of the soap dispenser as shown in FIG. 1;

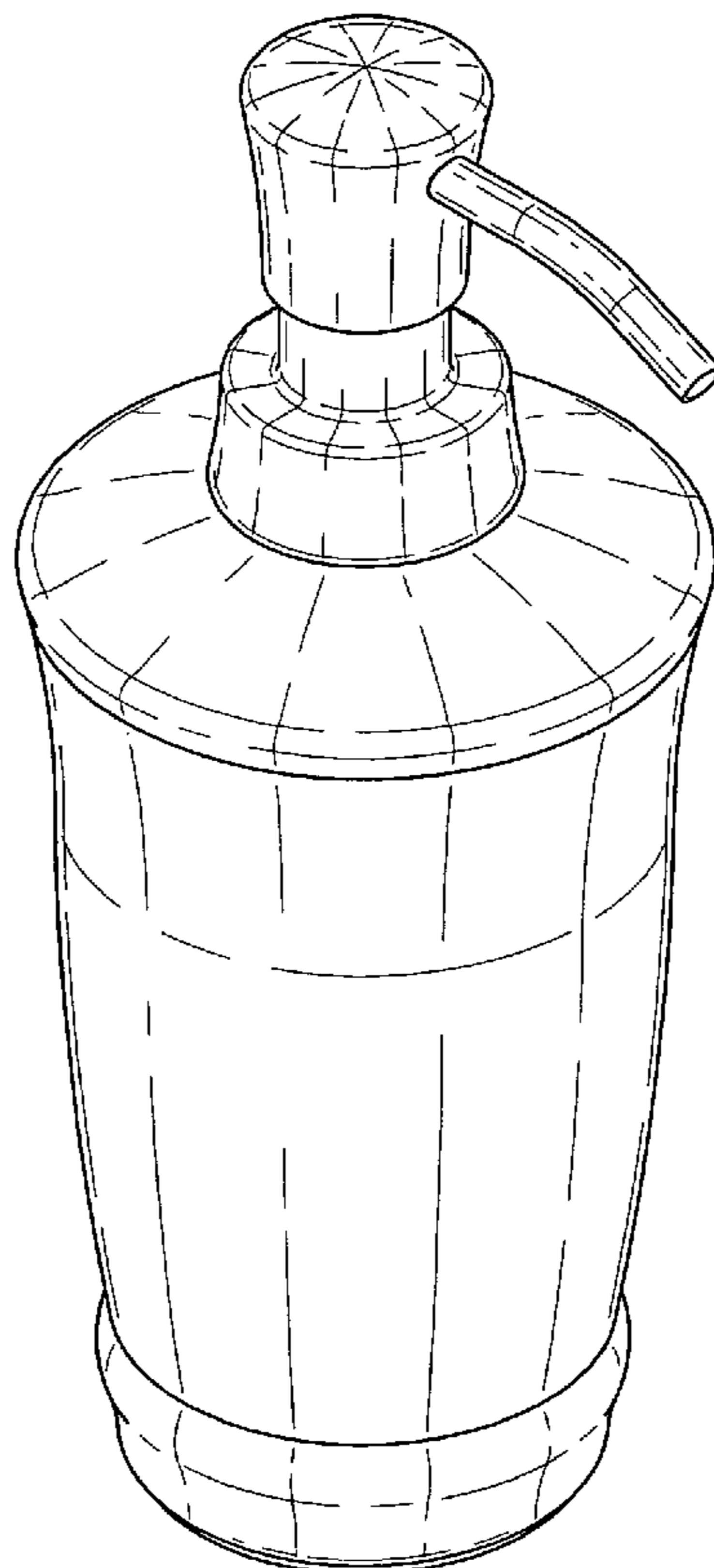
FIG. 4 is a front view of the soap dispenser as shown in FIG. 1;

FIG. 5 is a side view of the soap dispenser as shown in FIG. 1, shown from the opposite side as shown in FIG. 3;

FIG. 6 is a rear view of the soap dispenser as shown in FIG. 1; and,

FIG. 7 is a bottom view of the soap dispenser as shown in FIG. 1.

**1 Claim, 3 Drawing Sheets**



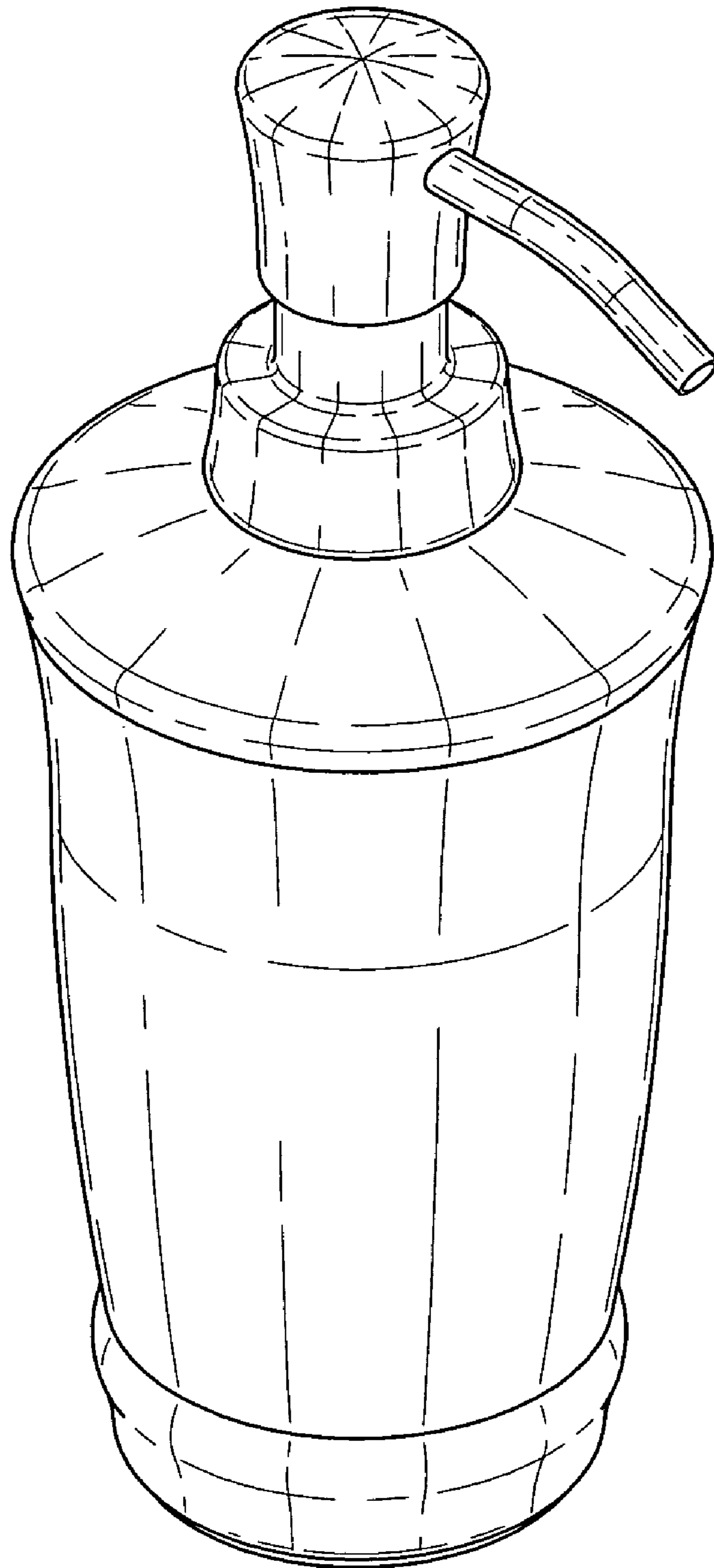


FIG-1

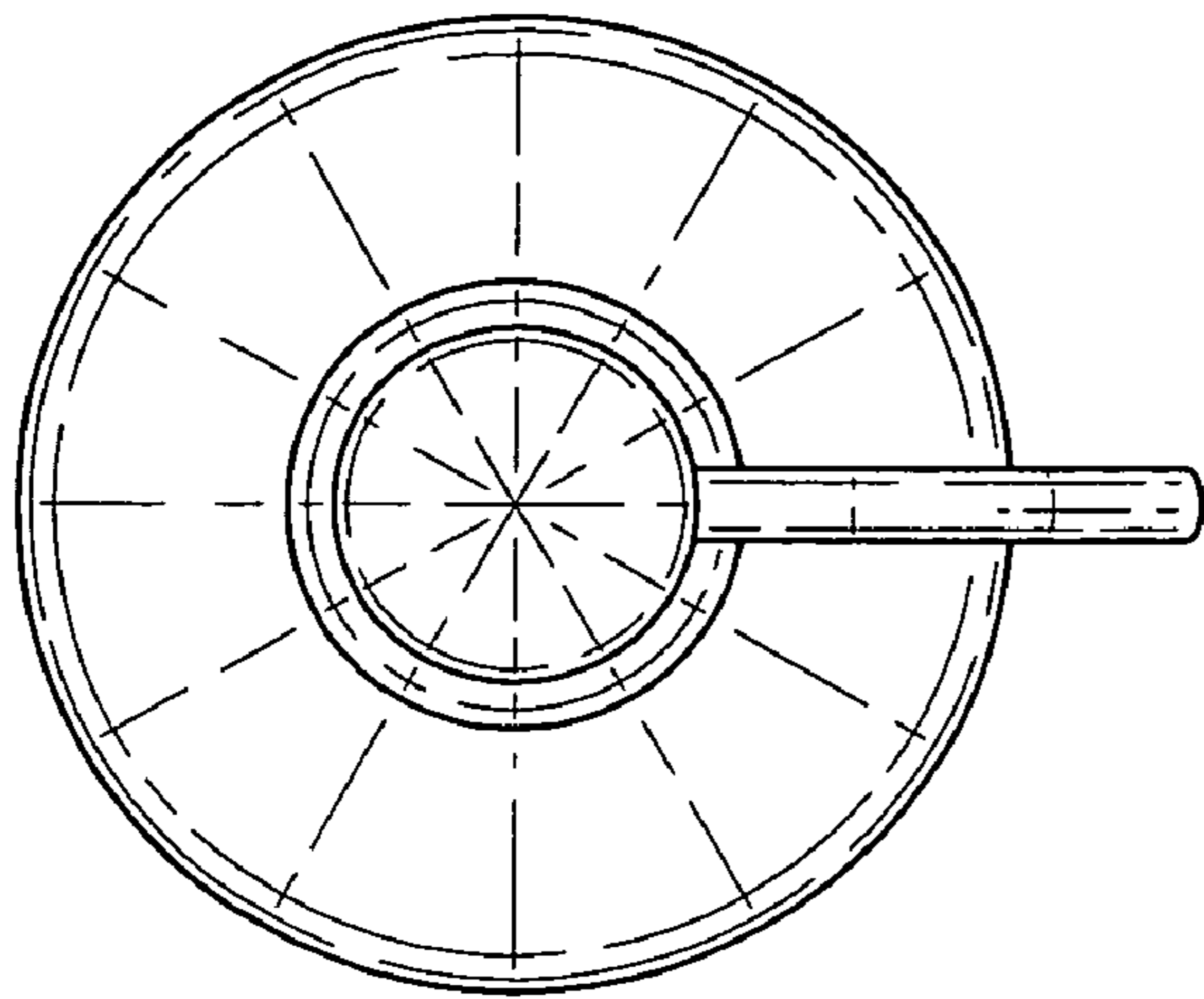


FIG-2

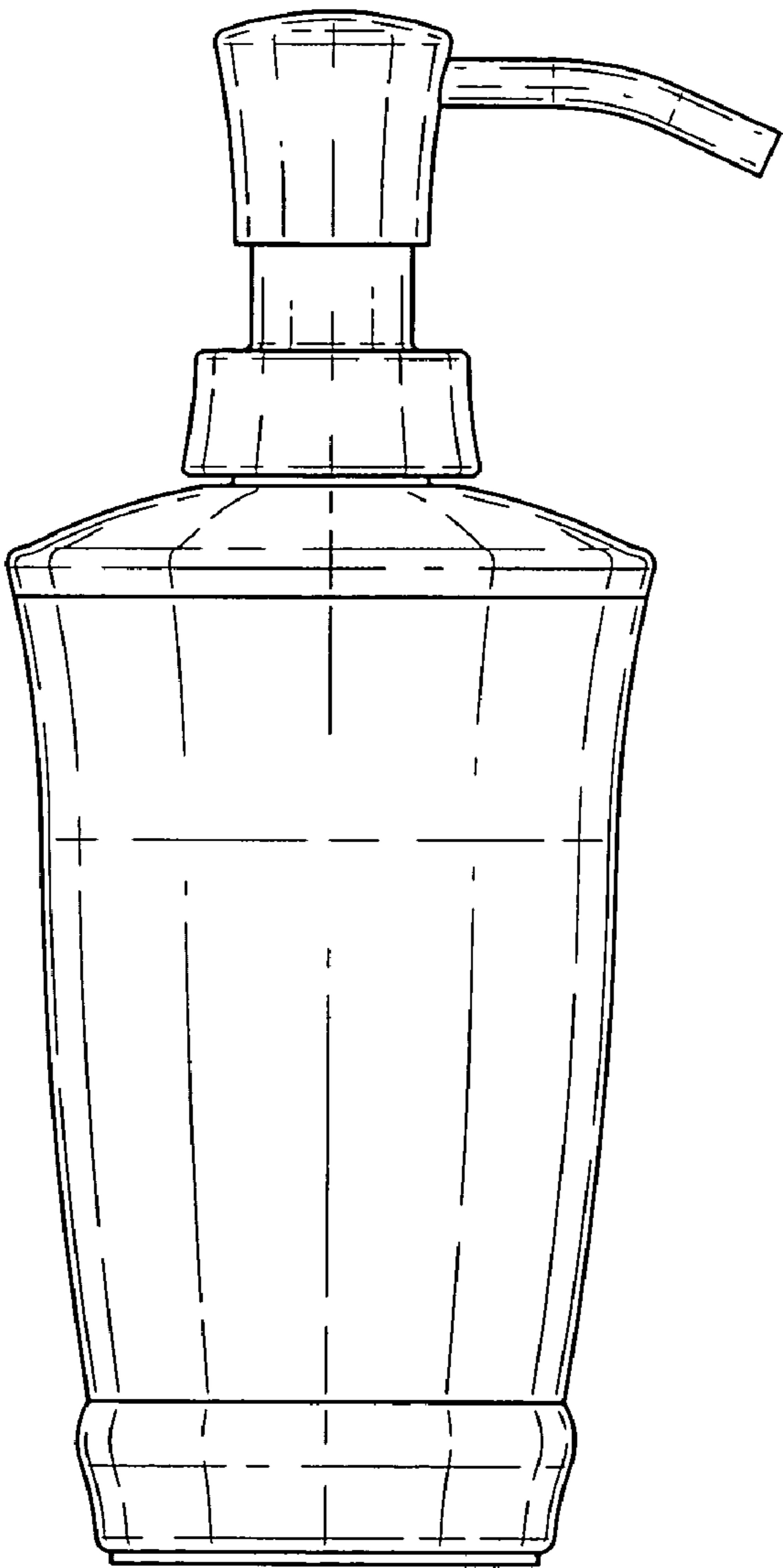


FIG-3

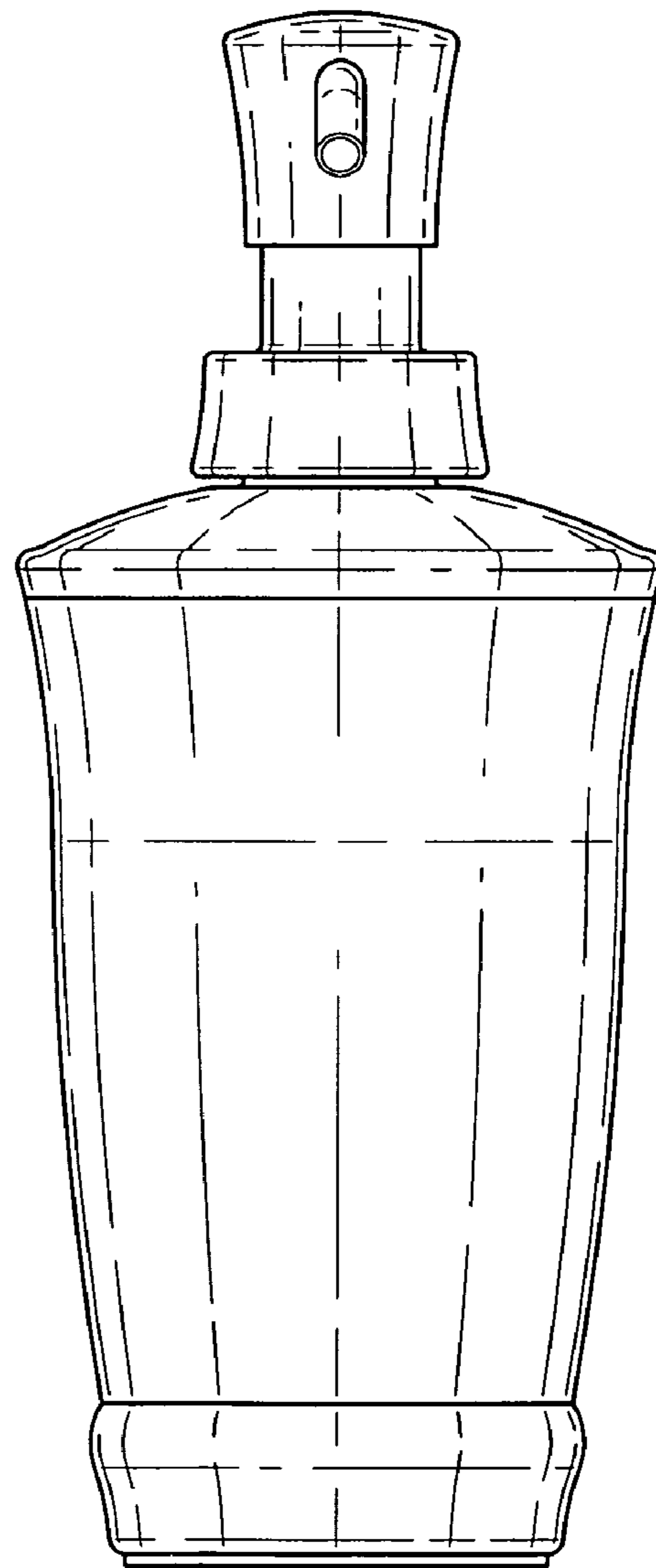


FIG-4

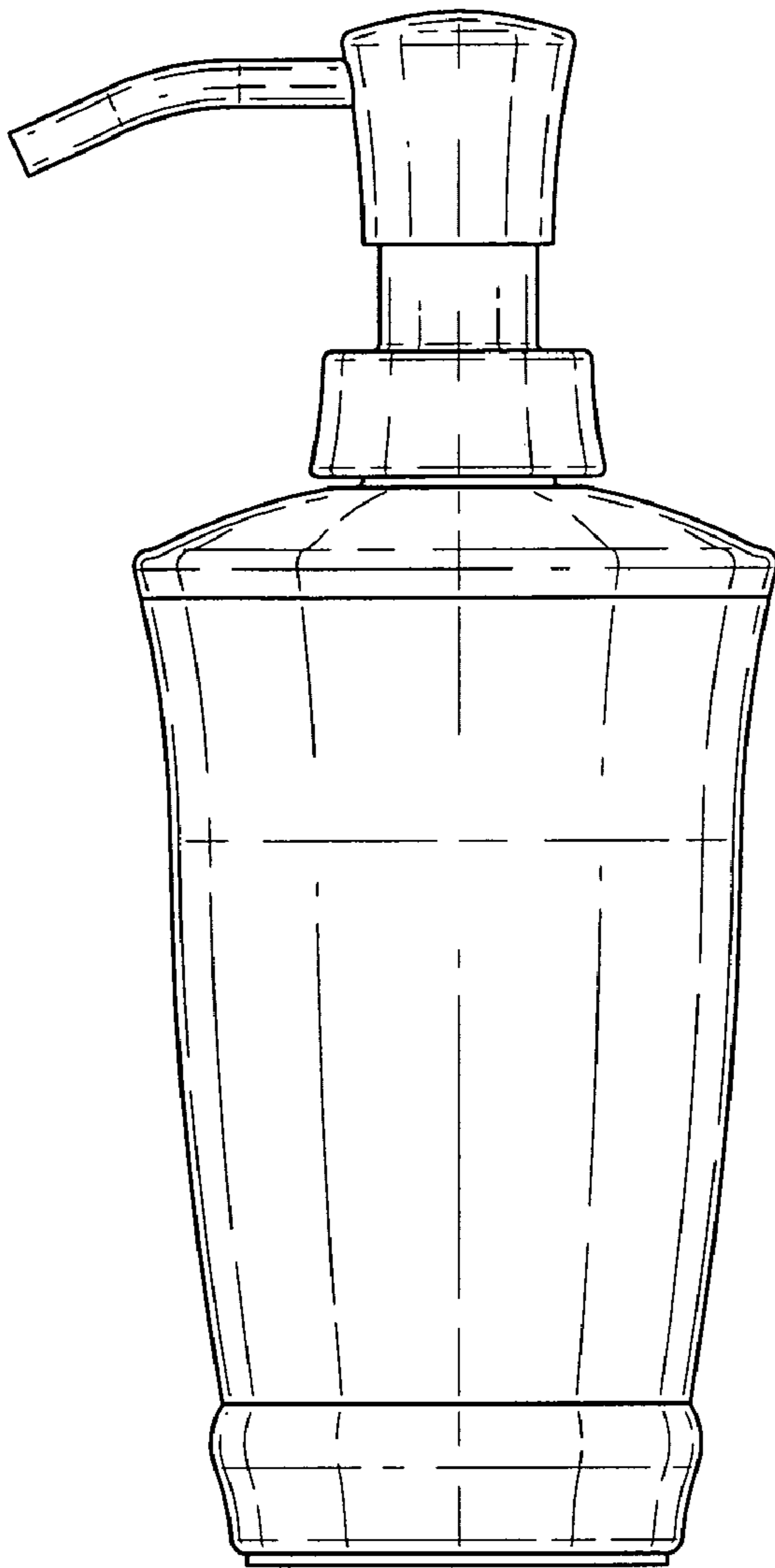


FIG-5

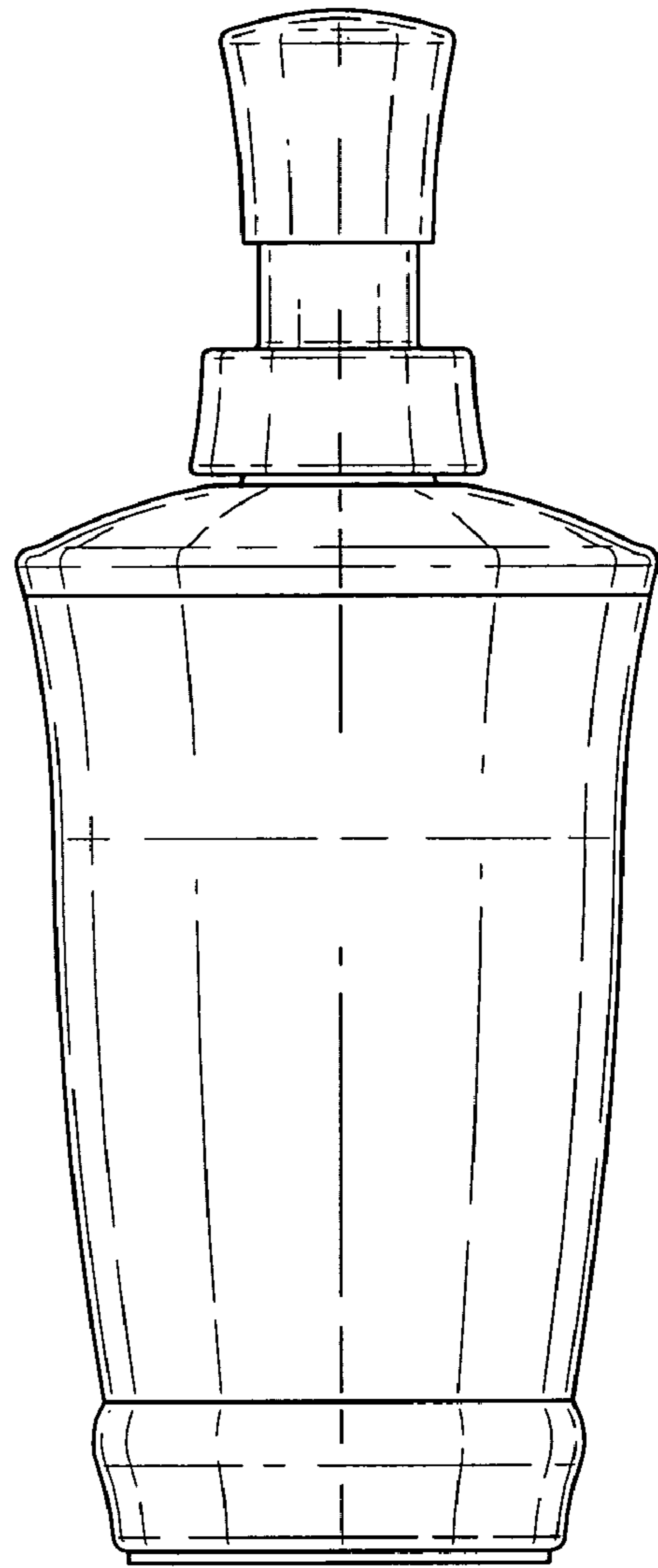


FIG-6

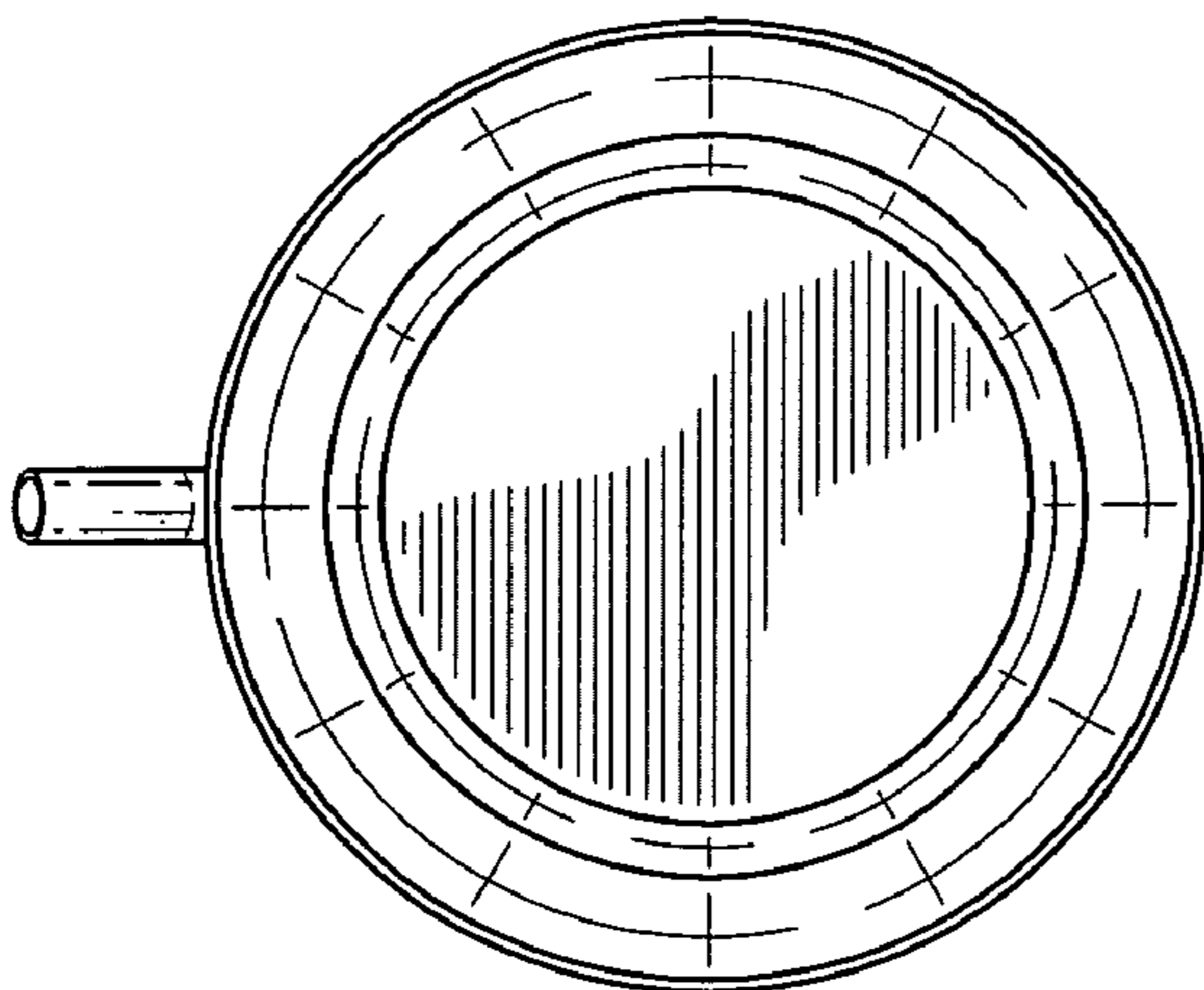


FIG-7