

US00D599592S

(12) **United States Design Patent**
Dretzka

(10) **Patent No.:** **US D599,592 S**

(45) **Date of Patent:** **** Sep. 8, 2009**

(54) **TOOTHBRUSH STAND**

(75) Inventor: **Philip C. Dretzka**, Mariemont, OH (US)

(73) Assignee: **InterDesign, Inc.**, Solon, OH (US)

(**) Term: **14 Years**

(21) Appl. No.: **29/312,962**

(22) Filed: **Nov. 25, 2008**

(51) **LOC (9) Cl.** **23-02**

(52) **U.S. Cl.** **D6/534**

(58) **Field of Classification Search** D6/524,
D6/526, 527, 528, 534; 206/208, 228, 209,
206/209.1, 361, 362, 362.1, 362.2, 362.3;
211/13.1, 66, 70.6, 86.01, 87.01

See application file for complete search history.

(56) **References Cited**

U.S. PATENT DOCUMENTS

D270,878 S *	10/1983	Sabatella	D6/534
D418,706 S *	1/2000	Robishaw	D6/534
D477,734 S *	7/2003	Snell	D6/534
D478,230 S	8/2003	Dretzka		
D478,231 S *	8/2003	Snell	D6/534
D482,222 S *	11/2003	Dretzka	D6/534
D499,918 S *	12/2004	Snell	D6/534
D530,122 S *	10/2006	Snell	D6/534
D530,552 S *	10/2006	Snell	D6/534

D530,949 S *	10/2006	Snell	D6/534
D530,950 S *	10/2006	Dretzka	D6/534
D546,607 S *	7/2007	Dretzka	D6/534
D576,828 S *	9/2008	Ghiorghie	D6/534
D576,829 S *	9/2008	Dretzka	D6/534

OTHER PUBLICATIONS

2007 InterDesign, Inc. product brochure, p. 2, 3, 4, 5, 6, 7, 8, 9, 10, 12, 13, 14, 15, 17 w/front & back cover.

* cited by examiner

Primary Examiner—Brian N Vinson

(74) *Attorney, Agent, or Firm*—D. Peter Hochberg; Sean F. Mellino; Daniel J. Smola

(57) **CLAIM**

The ornamental design for a toothbrush stand, as shown and described.

DESCRIPTION

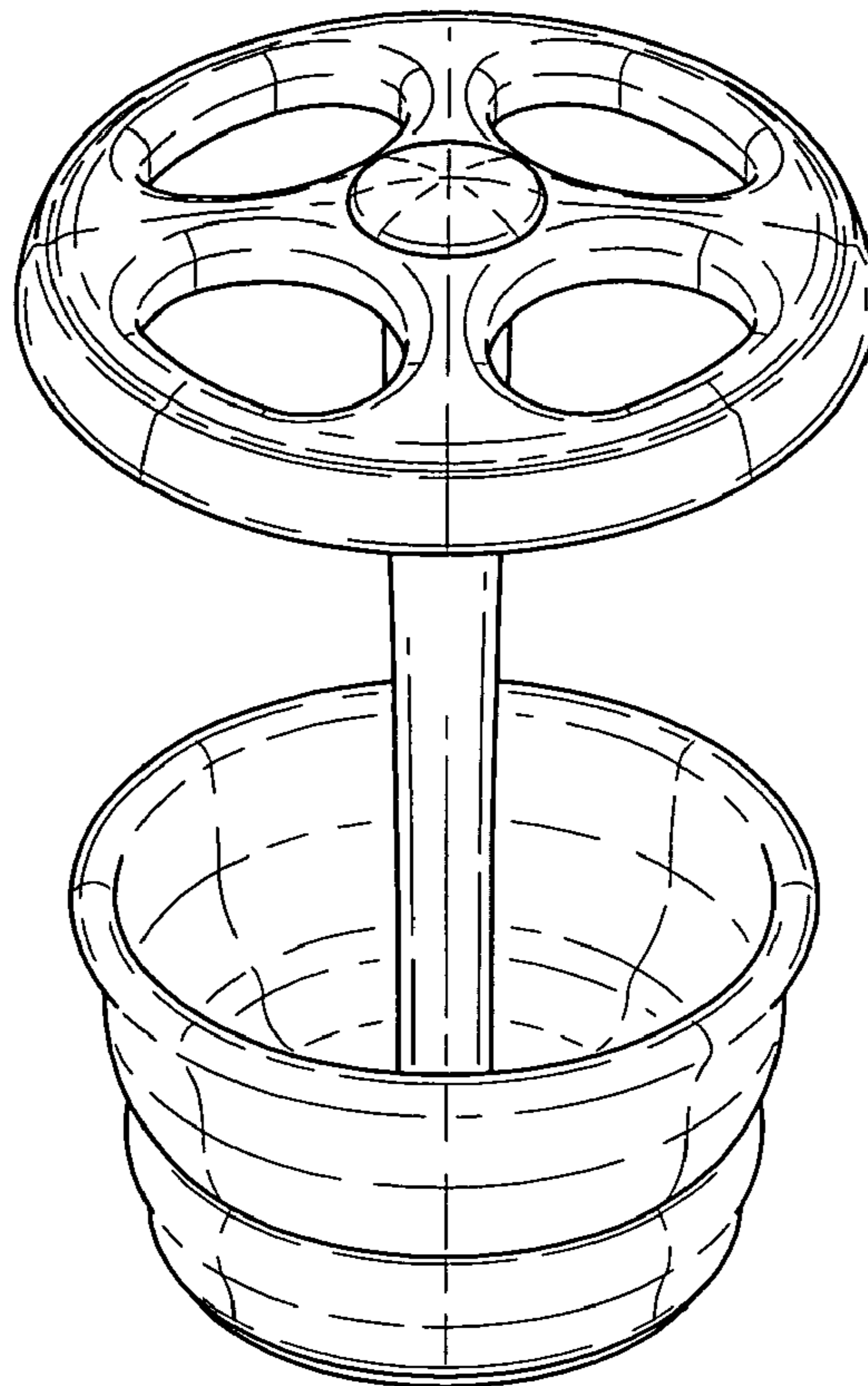
FIG. 1 is a perspective view of the toothbrush stand according to the invention;

FIG. 2 is a front view of the toothbrush stand as shown in FIG. 1, which is identical to the rear view and side views;

FIG. 3 is a top view of the toothbrush stand as shown in FIG. 1; and,

FIG. 4 is a bottom view of the toothbrush stand as shown in FIG. 1.

1 Claim, 1 Drawing Sheet



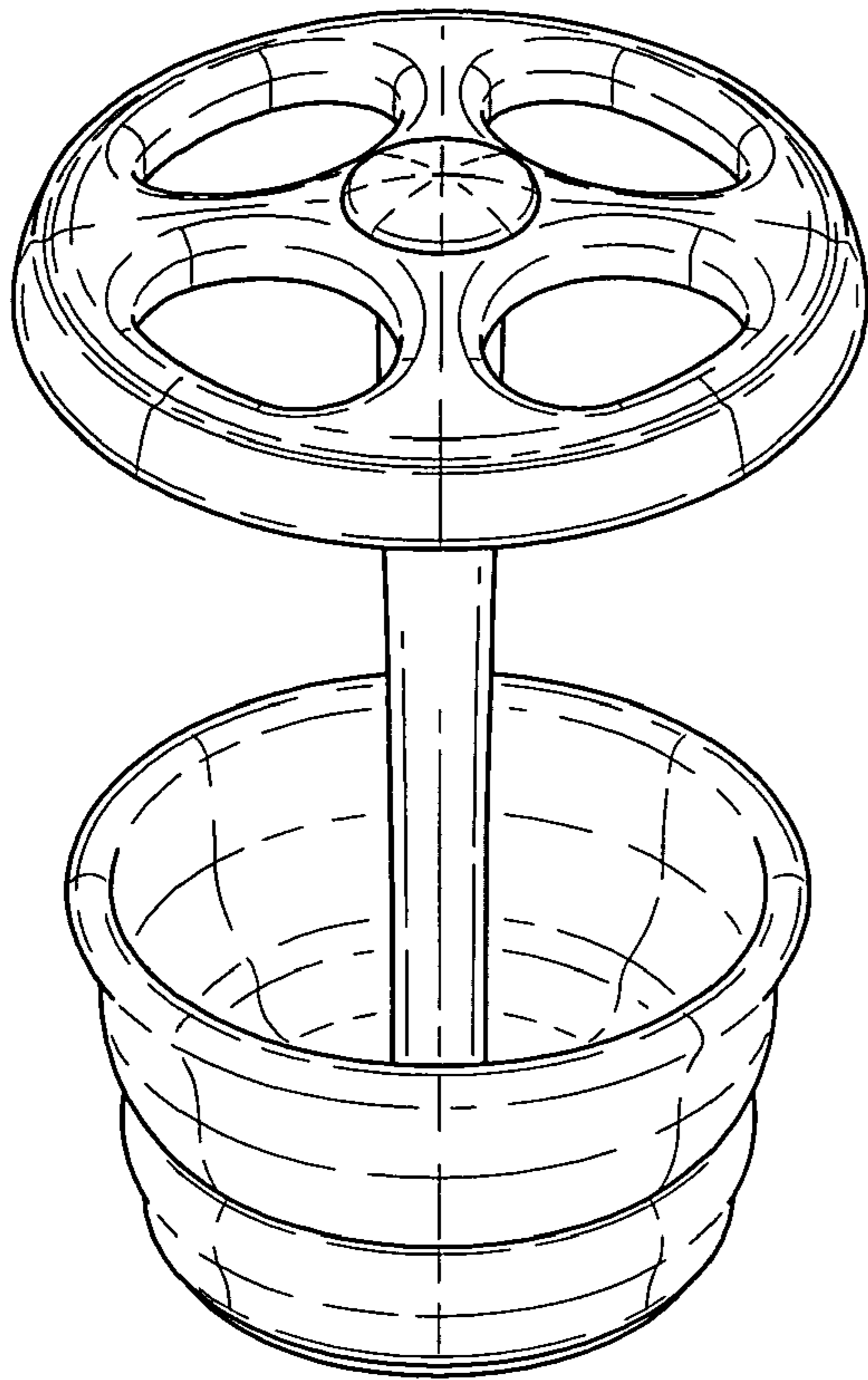


FIG-1

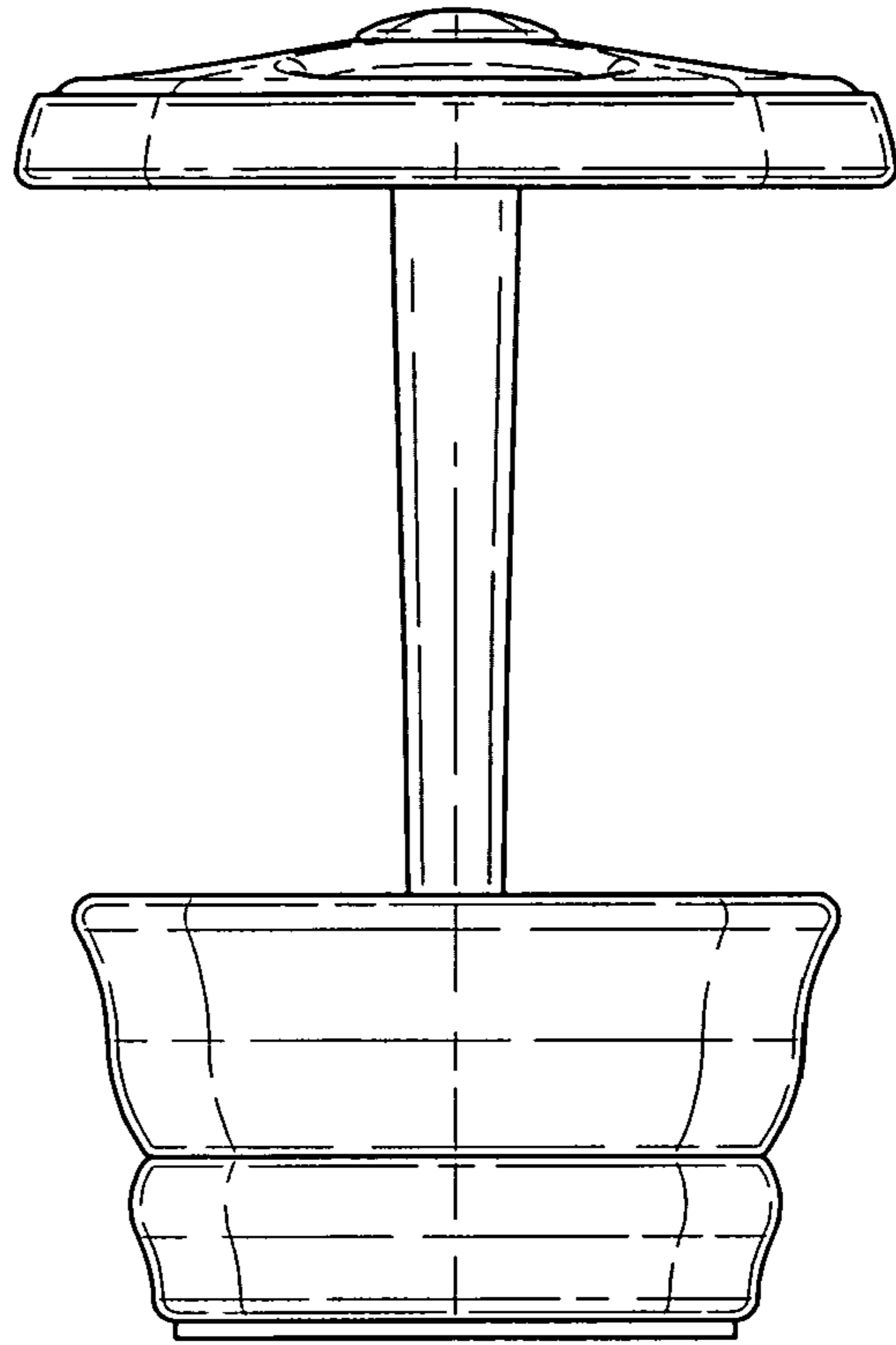


FIG-2

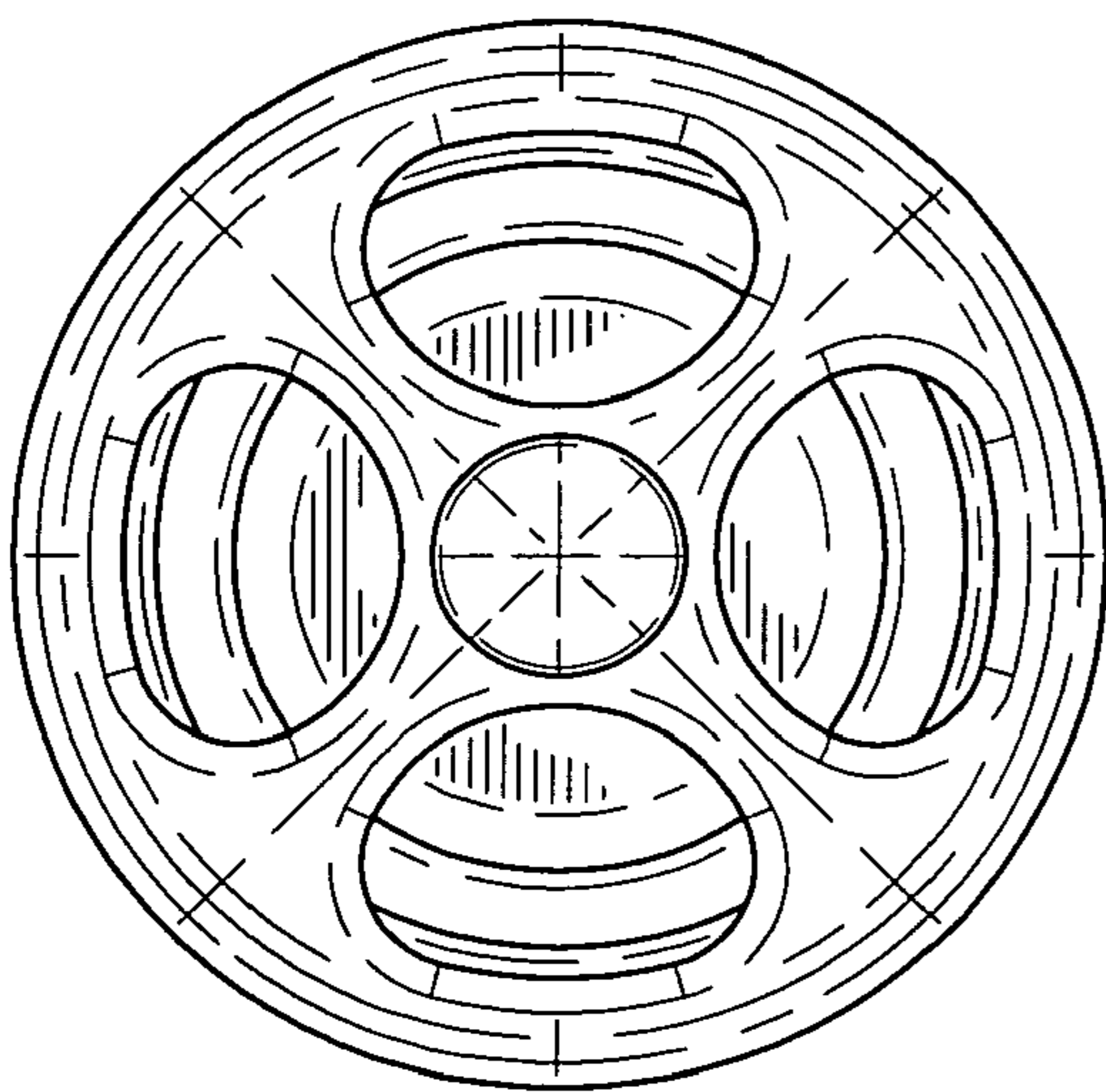


FIG-3

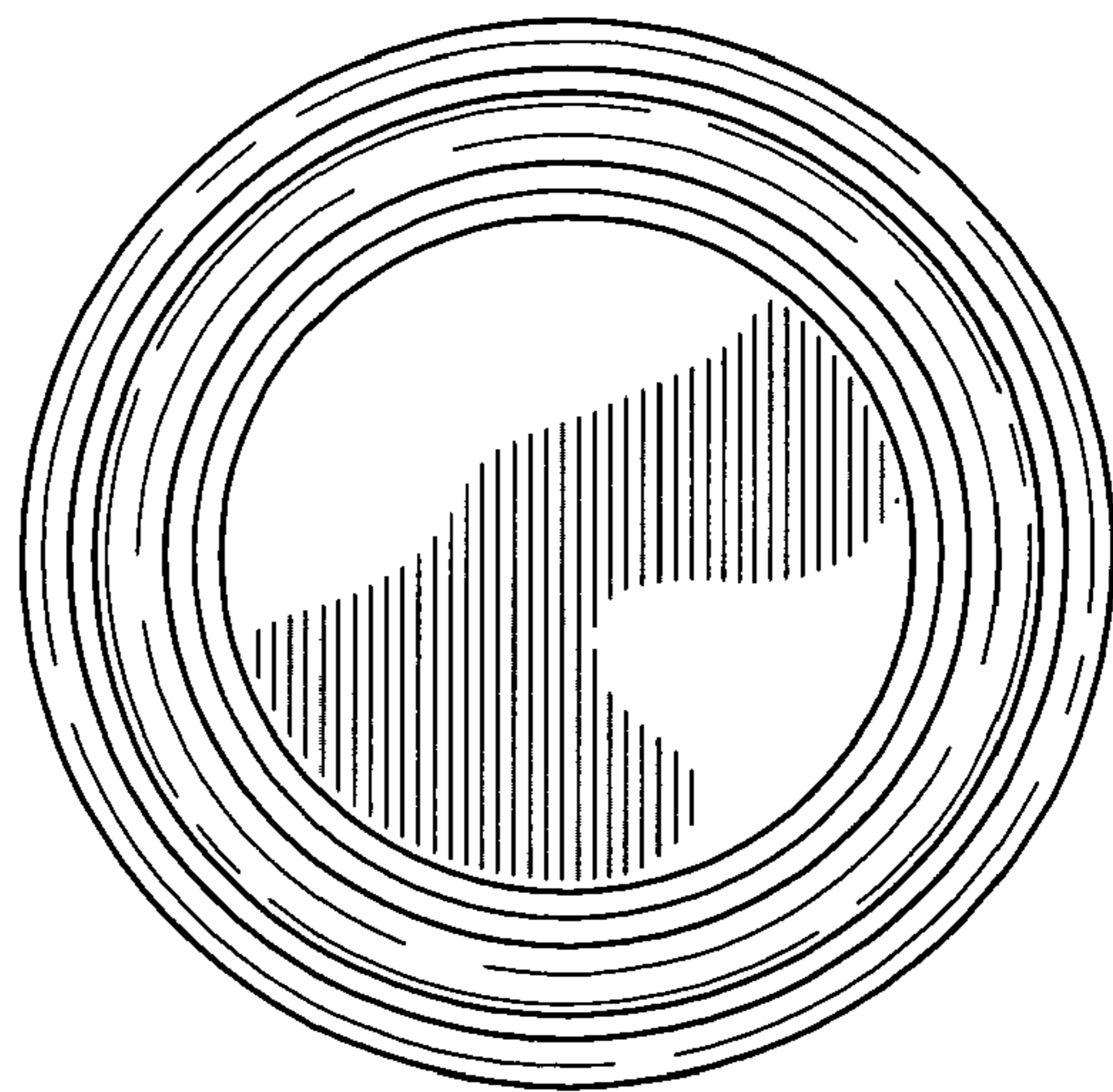


FIG-4