



US00D599591S

(12) **United States Design Patent**  
**Snell**

(10) **Patent No.:** **US D599,591 S**  
(45) **Date of Patent:** **\*\* Sep. 8, 2009**

(54) **TOOTHBRUSH STAND**

D576,829 S \* 9/2008 Dretzka ..... D6/534

(75) Inventor: **Russell Benton Snell**, Bentleyville, OH  
(US)

(73) Assignee: **InterDesign, Inc.**, Solon, OH (US)

(\*\*) Term: **14 Years**

(21) Appl. No.: **29/312,951**

(22) Filed: **Nov. 25, 2008**

(51) **LOC (9) Cl.** ..... **23-02**

(52) **U.S. Cl.** ..... **D6/534**

(58) **Field of Classification Search** ..... D6/524,  
D6/526, 527, 528, 534; 206/208, 228, 209,  
206/209.1, 361, 362, 362.1, 362.2, 362.3;  
211/13.1, 66, 70.6, 86.01, 87.01

See application file for complete search history.

(56) **References Cited**

**U.S. PATENT DOCUMENTS**

D270,878 S *	10/1983	Sabatella	.....	D6/534
D418,706 S *	1/2000	Robishaw	.....	D6/534
D477,734 S *	7/2003	Snell	.....	D6/534
D478,231 S *	8/2003	Snell	.....	D6/534
D482,222 S *	11/2003	Dretzka	.....	D6/534
D499,918 S *	12/2004	Snell	.....	D6/534
D530,122 S *	10/2006	Snell	.....	D6/534
D530,552 S *	10/2006	Snell	.....	D6/534
D530,949 S *	10/2006	Snell	.....	D6/534
D530,950 S *	10/2006	Dretzka	.....	D6/534
D546,607 S *	7/2007	Dretzka	.....	D6/534
D576,828 S *	9/2008	Ghiorghie	.....	D6/534

**OTHER PUBLICATIONS**

InterDesign, Inc. Product Brochure—2003, pp. 9, 10, 15, 16, 22, 24.  
InterDesign, Inc. Product Brochure—2004, pp. 20,29.  
InterDesign, Inc. Product Brochure—2006, pp. 2, 3, 4, 11.  
InterDesign, Inc. Product Brochure—2007, p. 13.

\* cited by examiner

*Primary Examiner*—Brian N Vinson

(74) *Attorney, Agent, or Firm*—D. Peter Hochberg; Sean F. Mellino; Daniel J. Smola

(57) **CLAIM**

The ornamental design for a toothbrush stand, as shown and described.

**DESCRIPTION**

FIG. 1 is a perspective view of the toothbrush stand according to the invention;

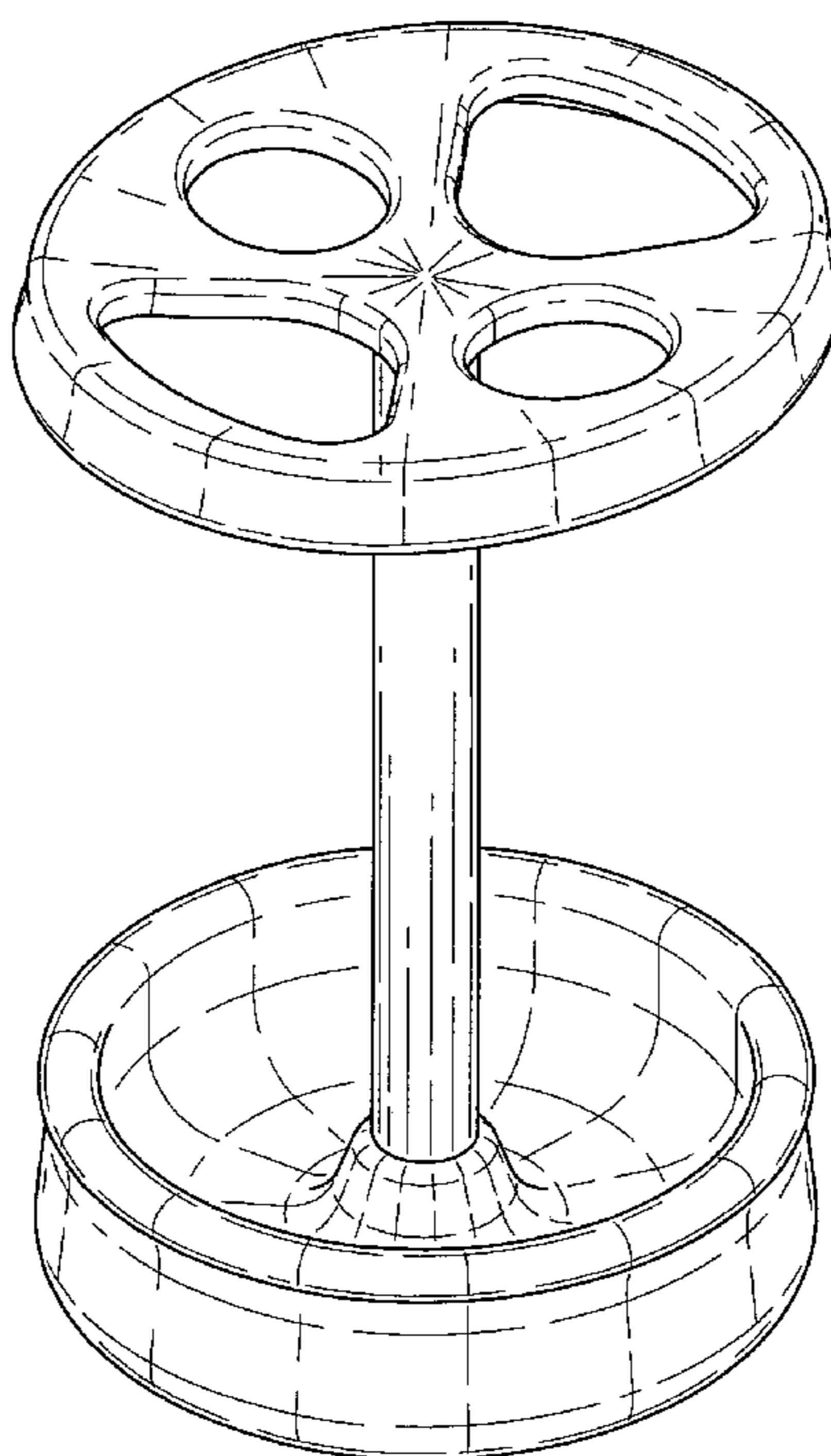
FIG. 2 is a top view of the toothbrush stand as shown in FIG. 1;

FIG. 3 is a front view of the toothbrush stand as shown in FIG. 1, the rear view of the toothbrush stand as shown in FIG. 1 being identical to the front view as shown in FIG. 3;

FIG. 4 is a side view of the toothbrush stand as shown in FIG. 1, the opposing side view of the toothbrush stand as shown in FIG. 1 being identical to the side view as shown in FIG. 4; and,

FIG. 5 is a bottom view of the toothbrush stand as shown in FIG. 1.

**1 Claim, 3 Drawing Sheets**



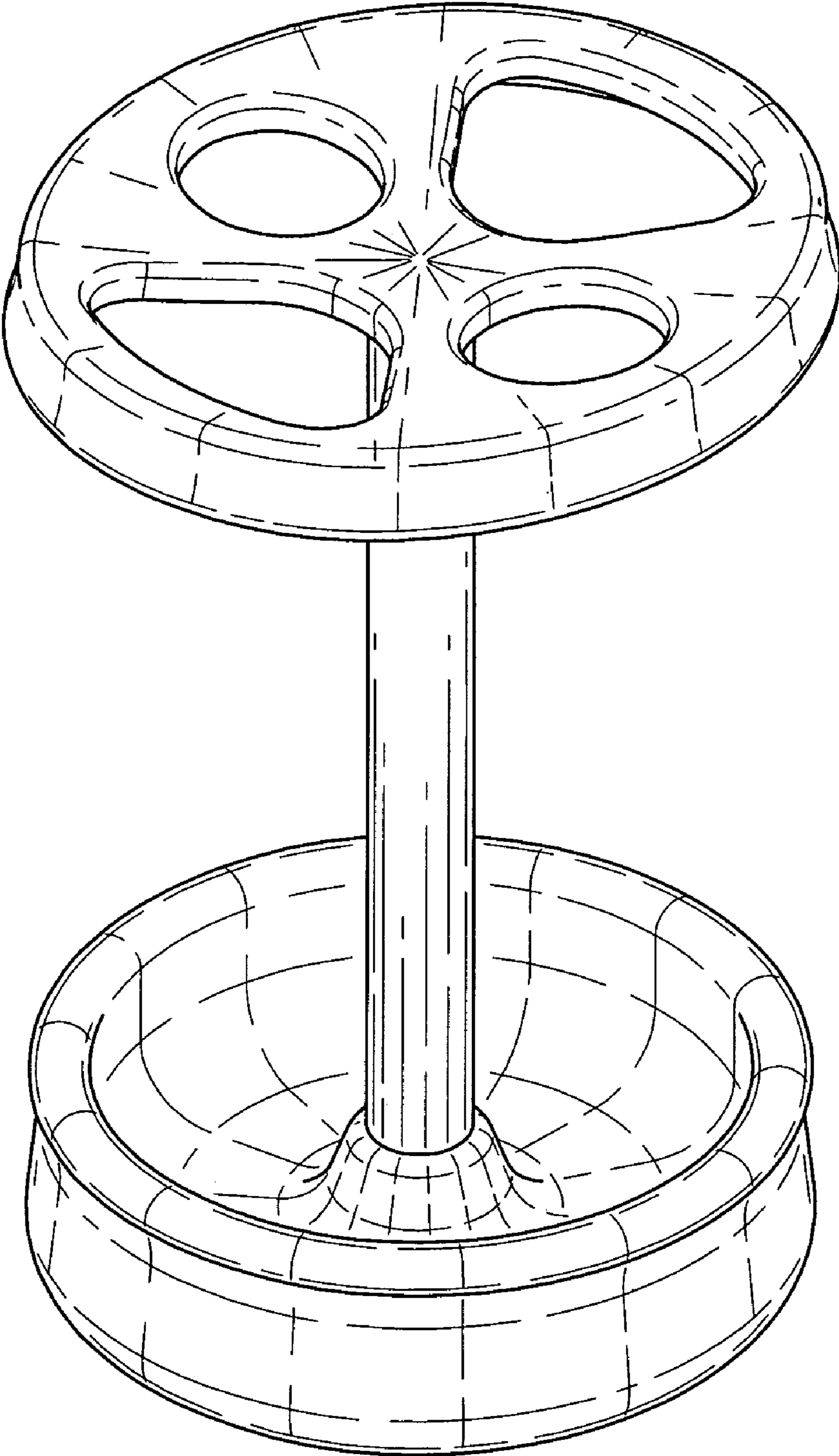


FIG-1

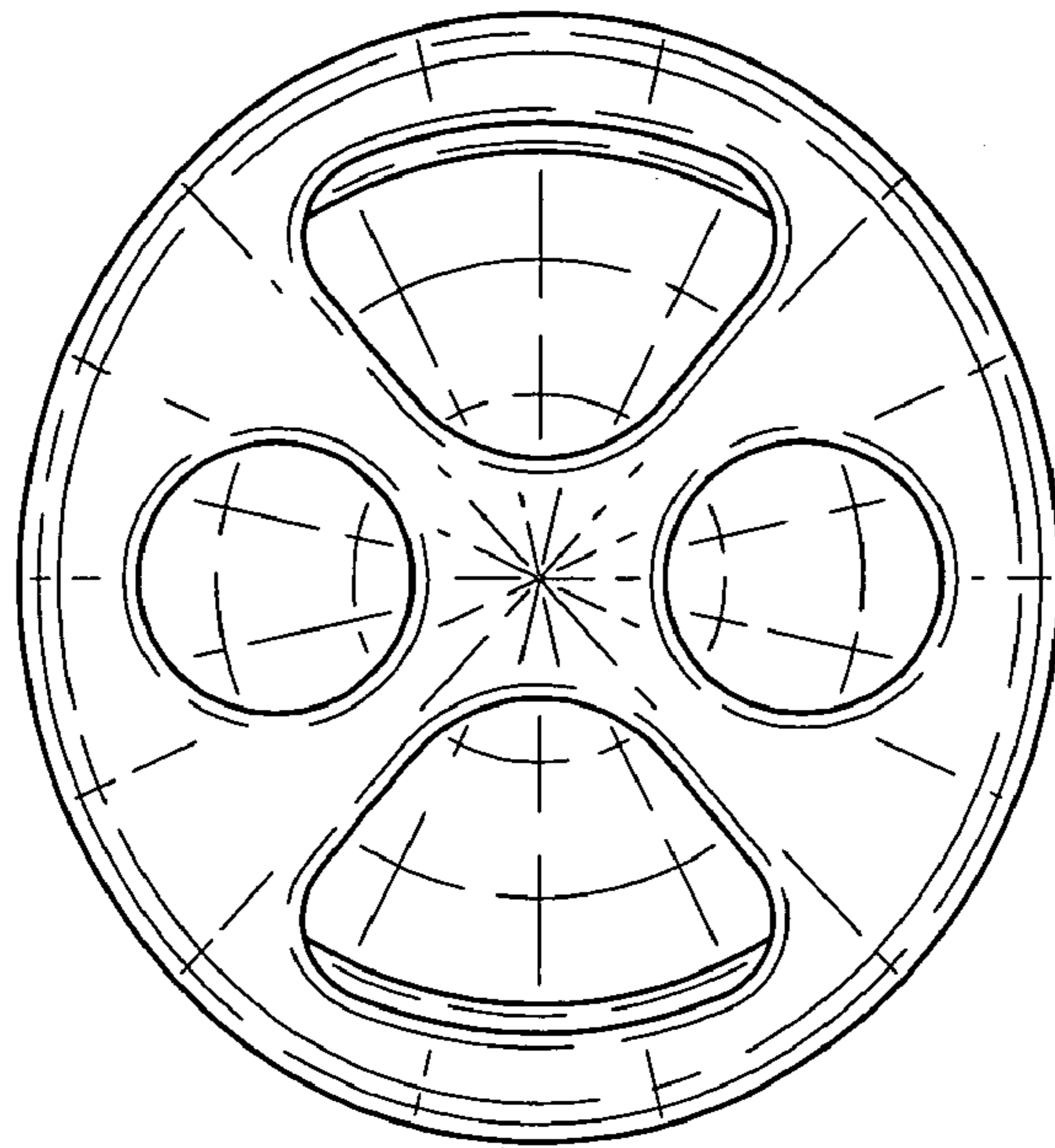


FIG-2

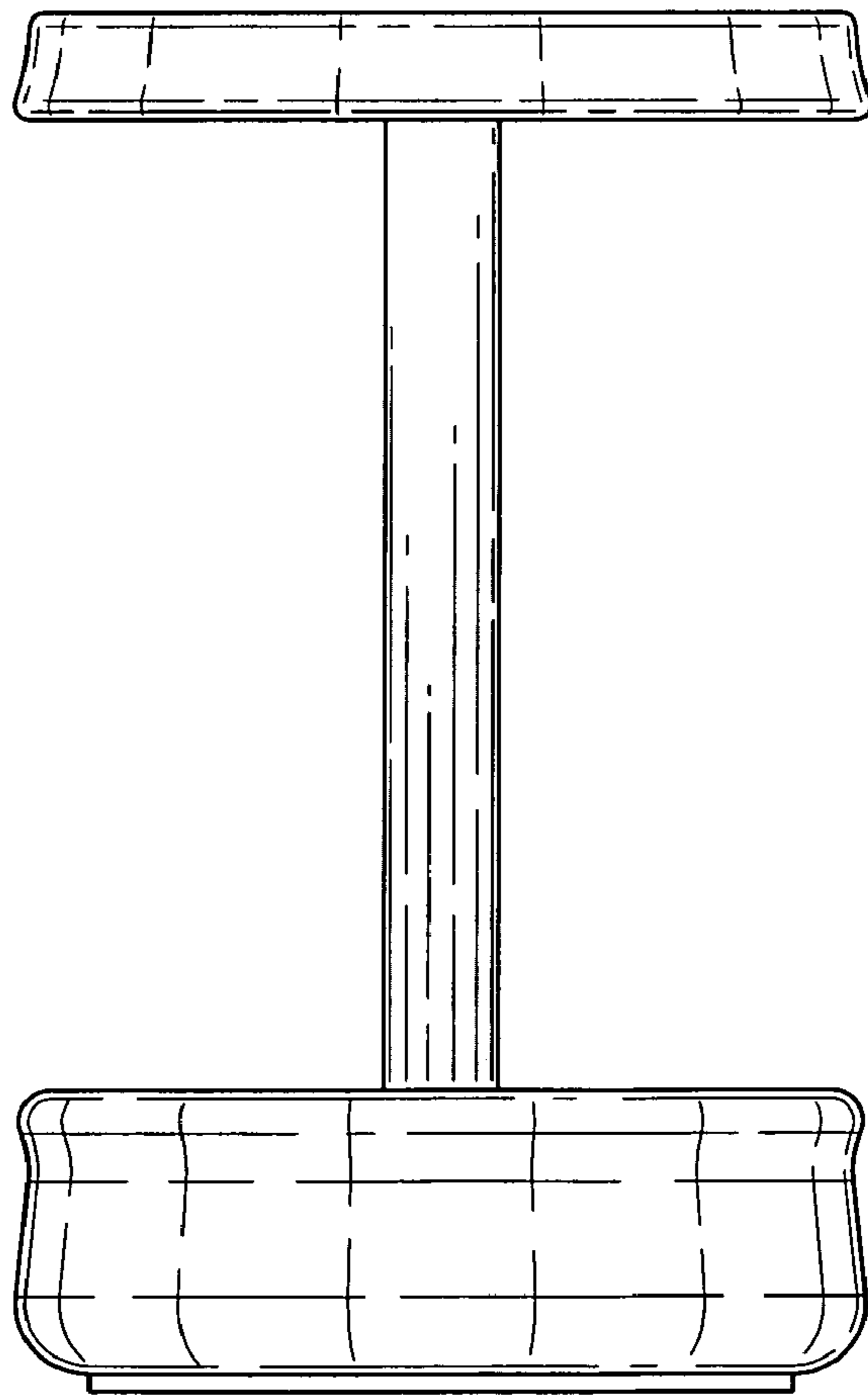


FIG-3

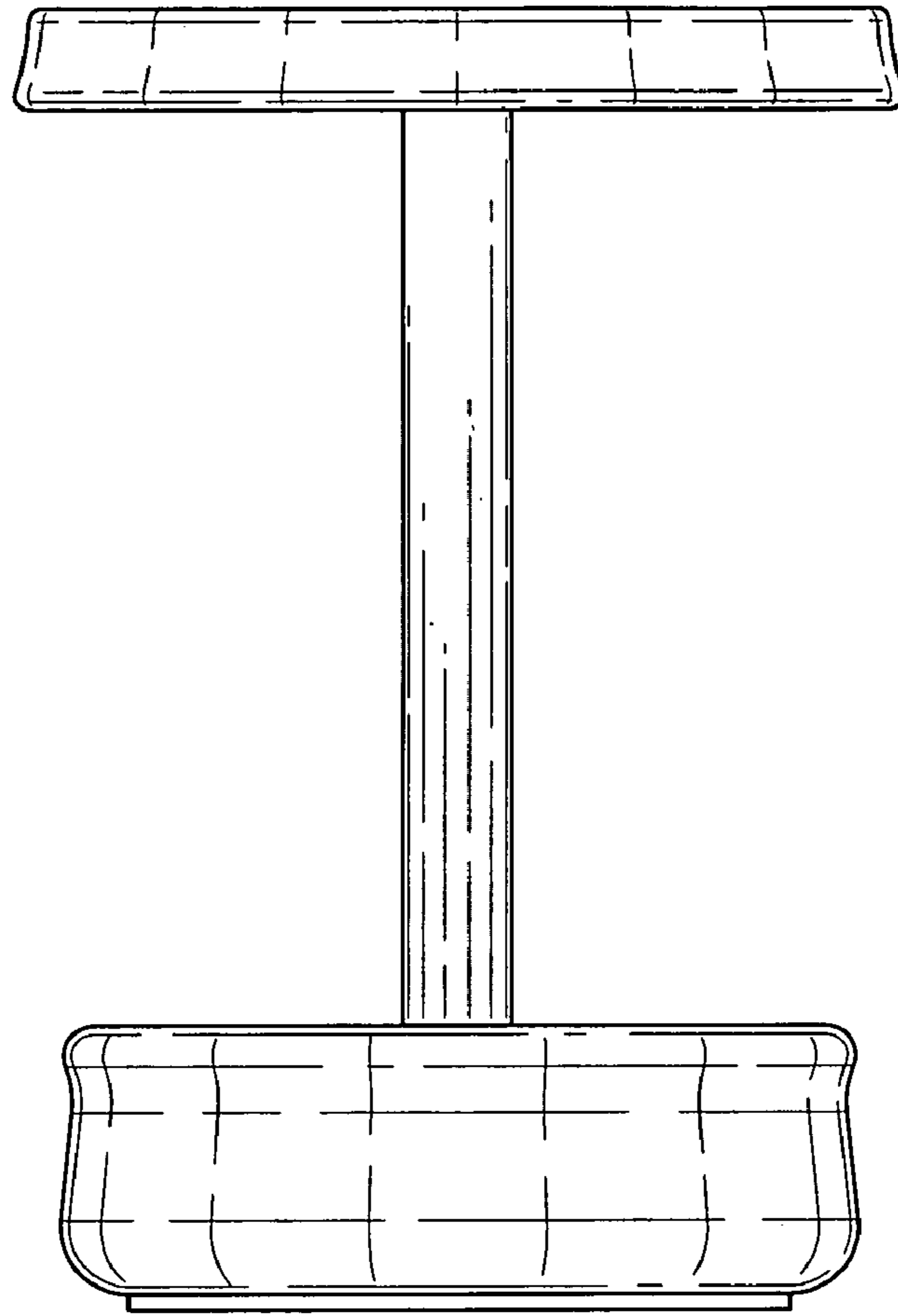


FIG-4

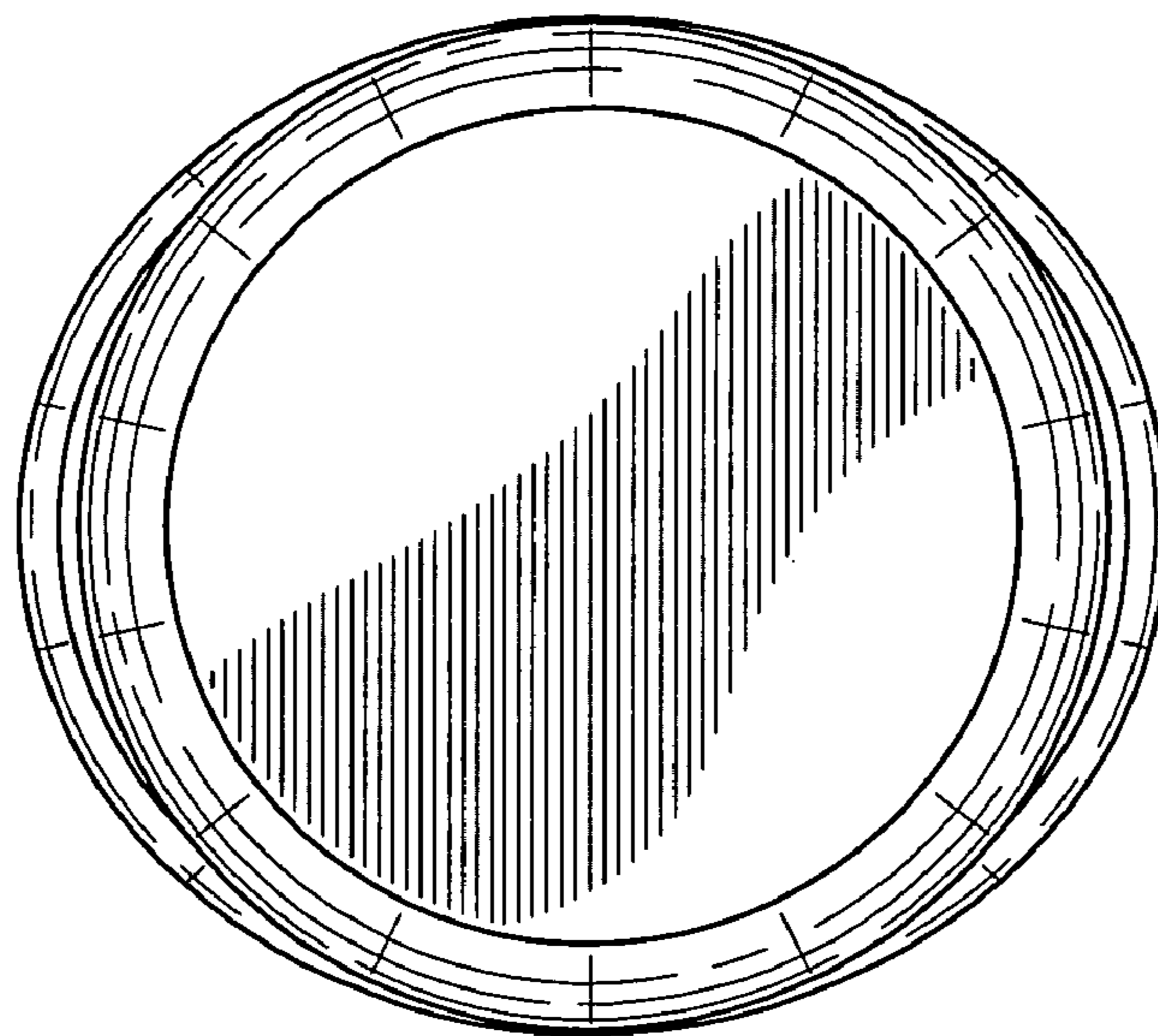


FIG-5