

US00D599588S

(12) **United States Design Patent**  
**Ishisako**

(10) **Patent No.:** **US D599,588 S**

(45) **Date of Patent:** **\*\* Sep. 8, 2009**

(54) **CHILD SEAT BACKREST**

(75) Inventor: **Ritsuso Ishisako**, Nishinomiya (JP)

(73) Assignee: **Nihon Ikuji Co., Ltd.**, Osaka (JP)

(\*\*) Term: **14 Years**

(21) Appl. No.: **29/328,092**

(22) Filed: **Nov. 18, 2008**

(30) **Foreign Application Priority Data**

May 30, 2008 (JP) ..... 2008 013759

(51) **LOC (9) Cl.** ..... **06-01**

(52) **U.S. Cl.** ..... **D6/502**

(58) **Field of Classification Search** ..... D6/333,  
D6/335, 339, 491, 500-502; D12/129; D21/412,  
D21/419; 280/30, 31; 5/94, 98.1, 99.1, 101,  
5/102, 105, 655; 297/183.1, 183.2, 183.3,  
297/183.4, 184.13, 184.15, 184.17, 250.1,  
297/255, 256.1, 256.15, 256.16; 24/200,  
24/211

See application file for complete search history.

(56) **References Cited**

**U.S. PATENT DOCUMENTS**

- D223,244 S \* 4/1972 Prashker ..... D6/333
- D236,287 S \* 8/1975 McNair ..... D24/215
- 3,899,209 A \* 8/1975 Schulz ..... 297/383
- D271,731 S \* 12/1983 Chamberlain et al. .... D6/362
- D278,668 S \* 5/1985 Simpkins ..... D6/335
- D298,788 S \* 12/1988 Thompson ..... D6/502
- D300,694 S \* 4/1989 Krok ..... D6/333
- D305,458 S \* 1/1990 Wang ..... D24/215
- D328,823 S \* 8/1992 Rogers et al. .... D6/367
- D329,711 S \* 9/1992 Adams et al. .... D26/54
- D332,012 S \* 12/1992 Severance ..... D6/379

- D338,580 S \* 8/1993 Evans ..... D6/502
- D341,735 S \* 11/1993 Hiser ..... D6/502
- D438,717 S \* 3/2001 Carroll, III ..... D6/334
- D477,412 S \* 7/2003 Miles ..... D24/200
- D539,068 S \* 3/2007 Dayan ..... D6/601

**FOREIGN PATENT DOCUMENTS**

- JP 2003-226172 8/2003
- JP D1279498 8/2006

\* cited by examiner

*Primary Examiner*—Sandra Snapp

(74) *Attorney, Agent, or Firm*—Alleman Hall McCoy Russell & Tuttle LLP

(57) **CLAIM**

The ornamental design for a child seat backrest, as shown and described.

**DESCRIPTION**

FIG. 1 is a front view of a child seat backrest according to the present invention.

FIG. 2 is a rear view of the child seat backrest of FIG. 1.

FIG. 3 is a top view of the child seat backrest of FIG. 1.

FIG. 4 is a bottom view of the child seat backrest of FIG. 1.

FIG. 5 is a left side view of the child seat backrest of FIG. 1.

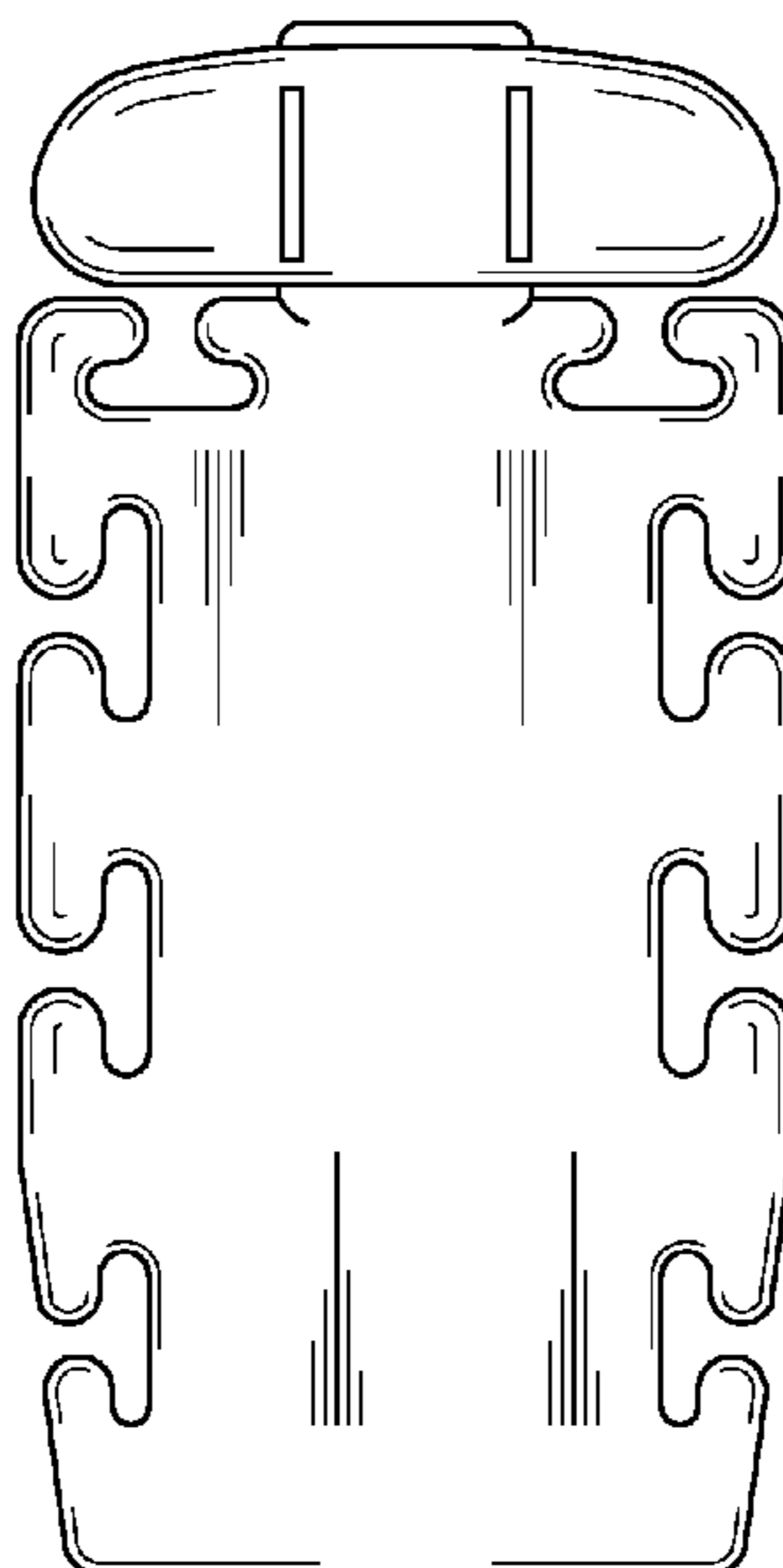
FIG. 6 is a front perspective view of the child seat backrest of FIG. 1.

FIG. 7 is a rear perspective view of the child seat backrest of FIG. 1; and,

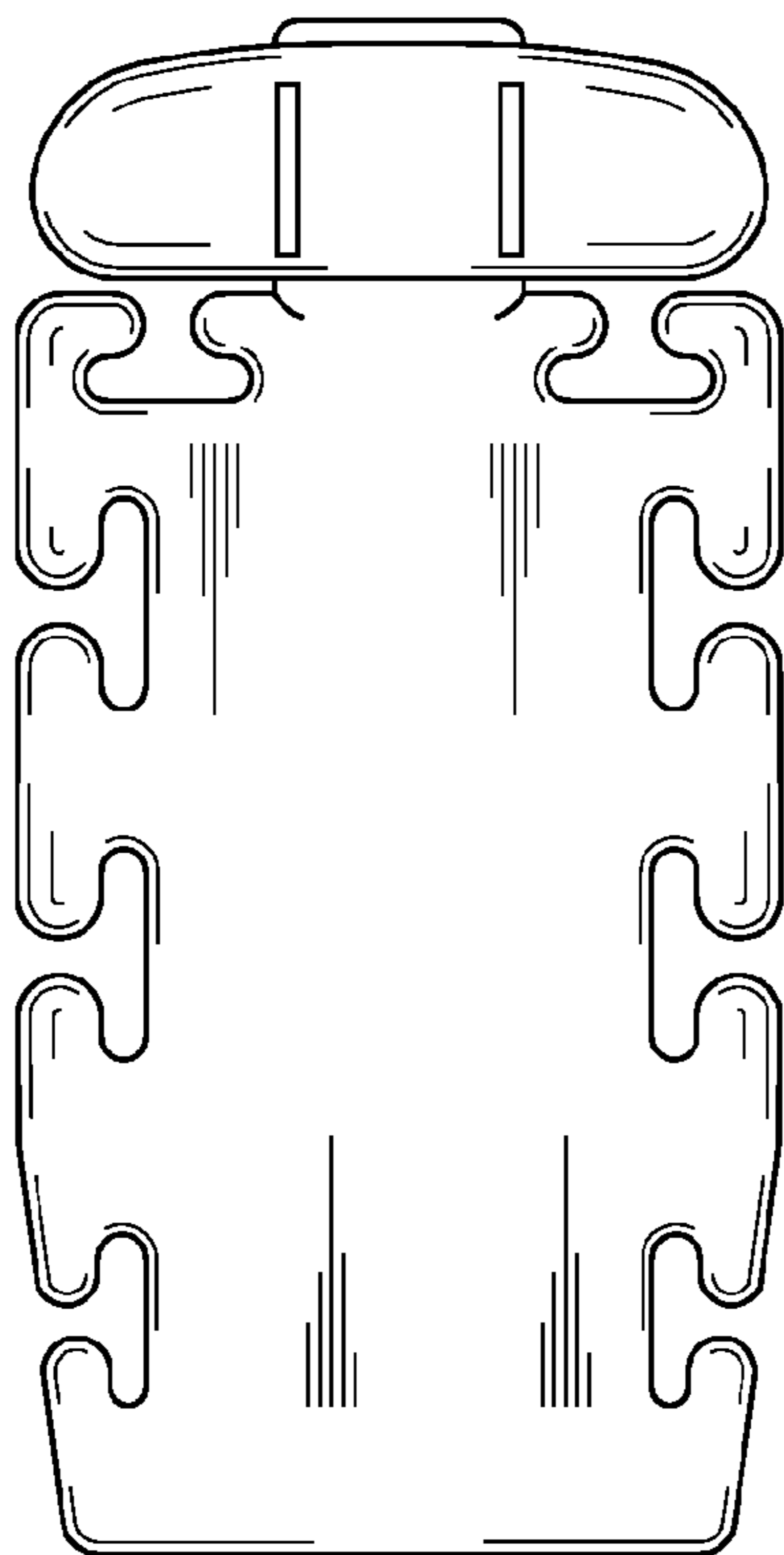
FIG. 8 is a right side view of the child seat backrest of FIG. 1.

The dashed lines illustrate a chair and occupant, and form no part of the claimed design.

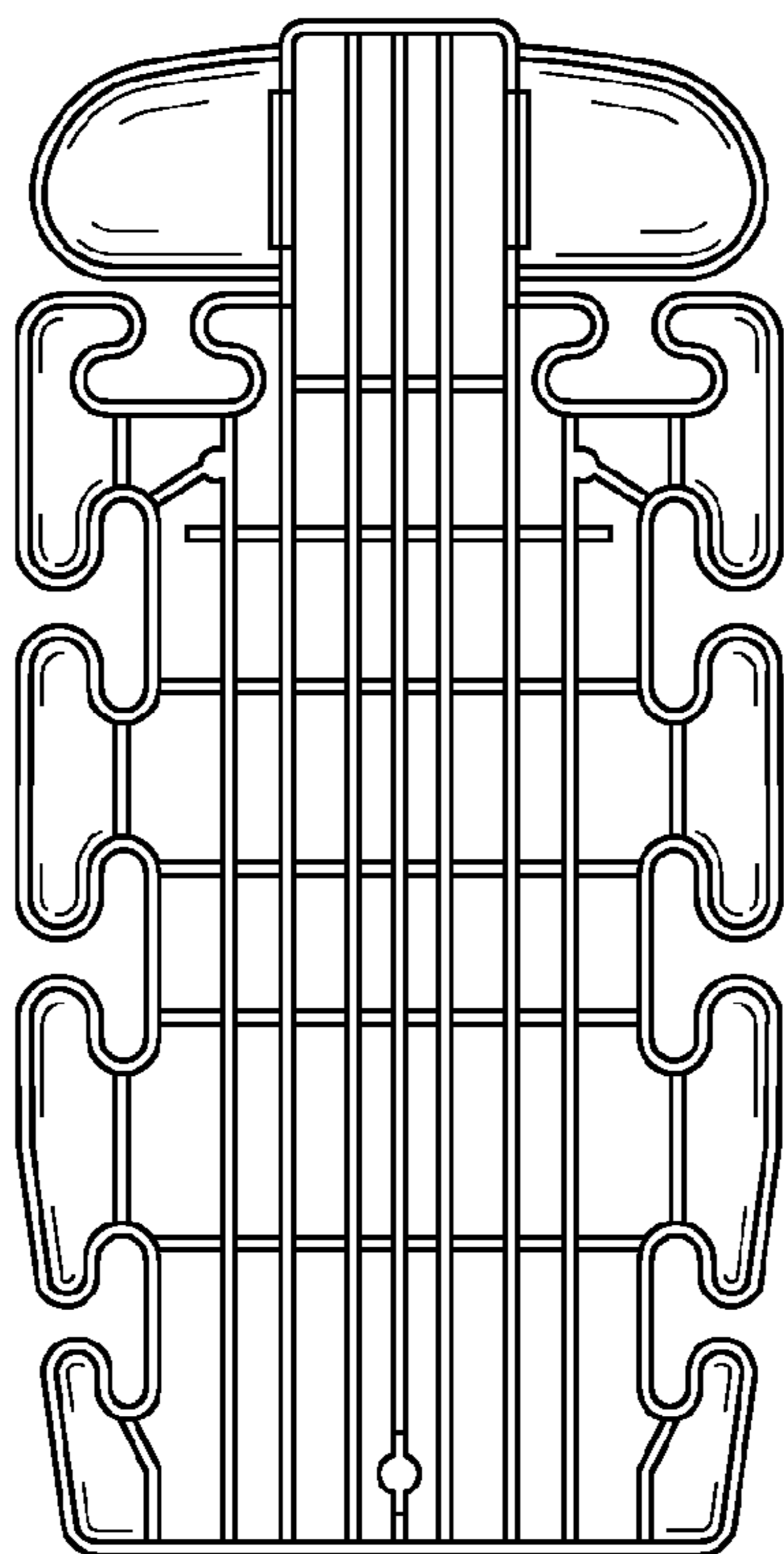
**1 Claim, 4 Drawing Sheets**



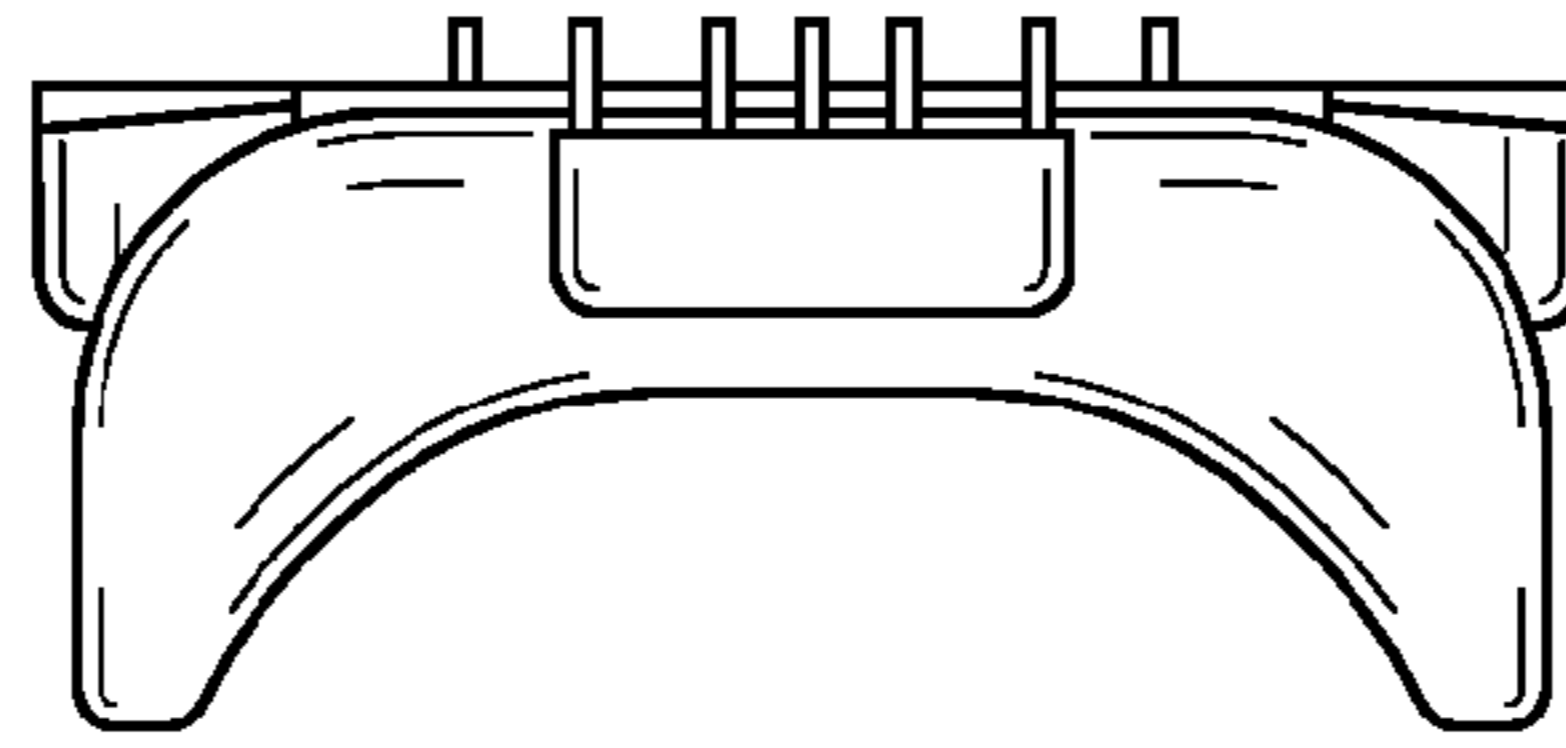
**FIG. 1**



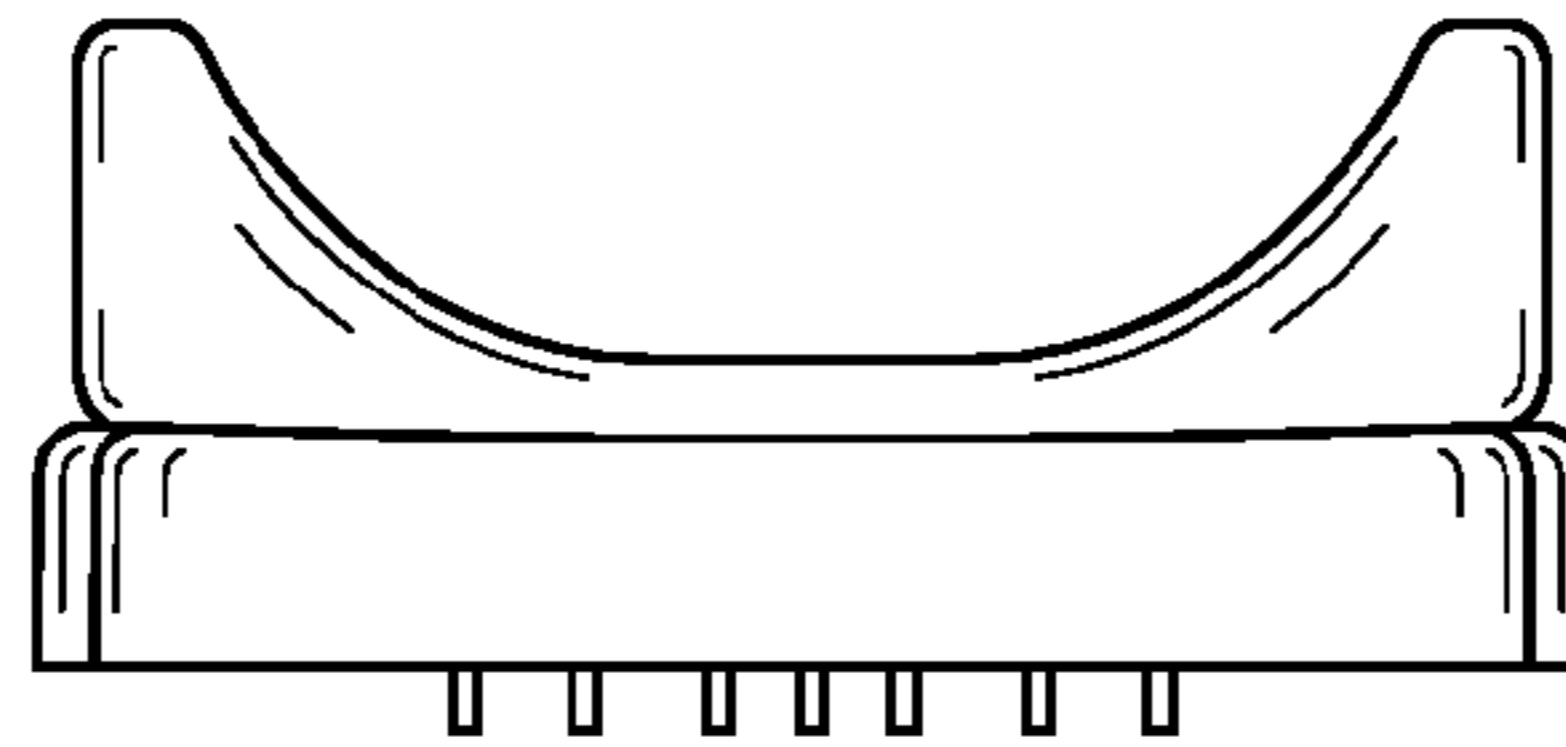
**FIG. 2**



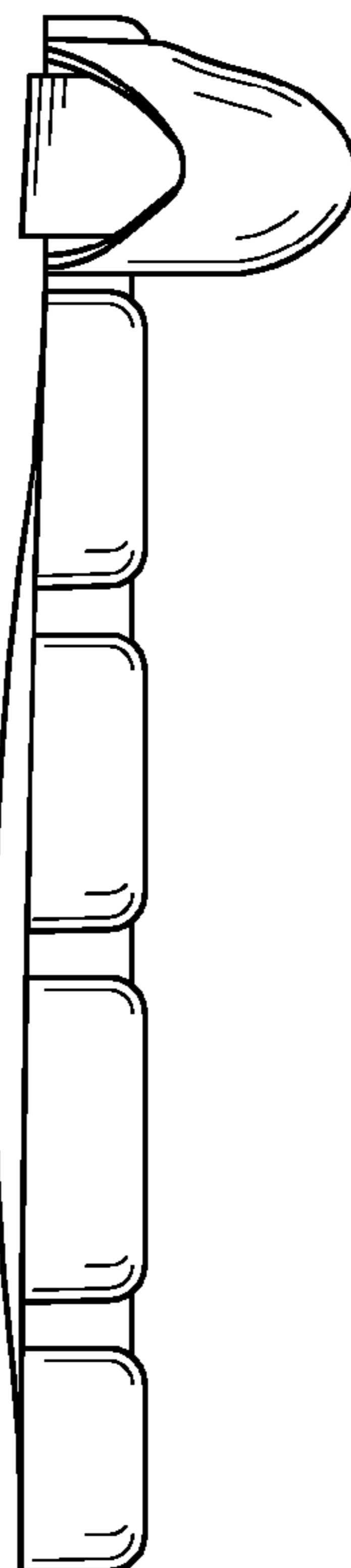
*FIG. 3*

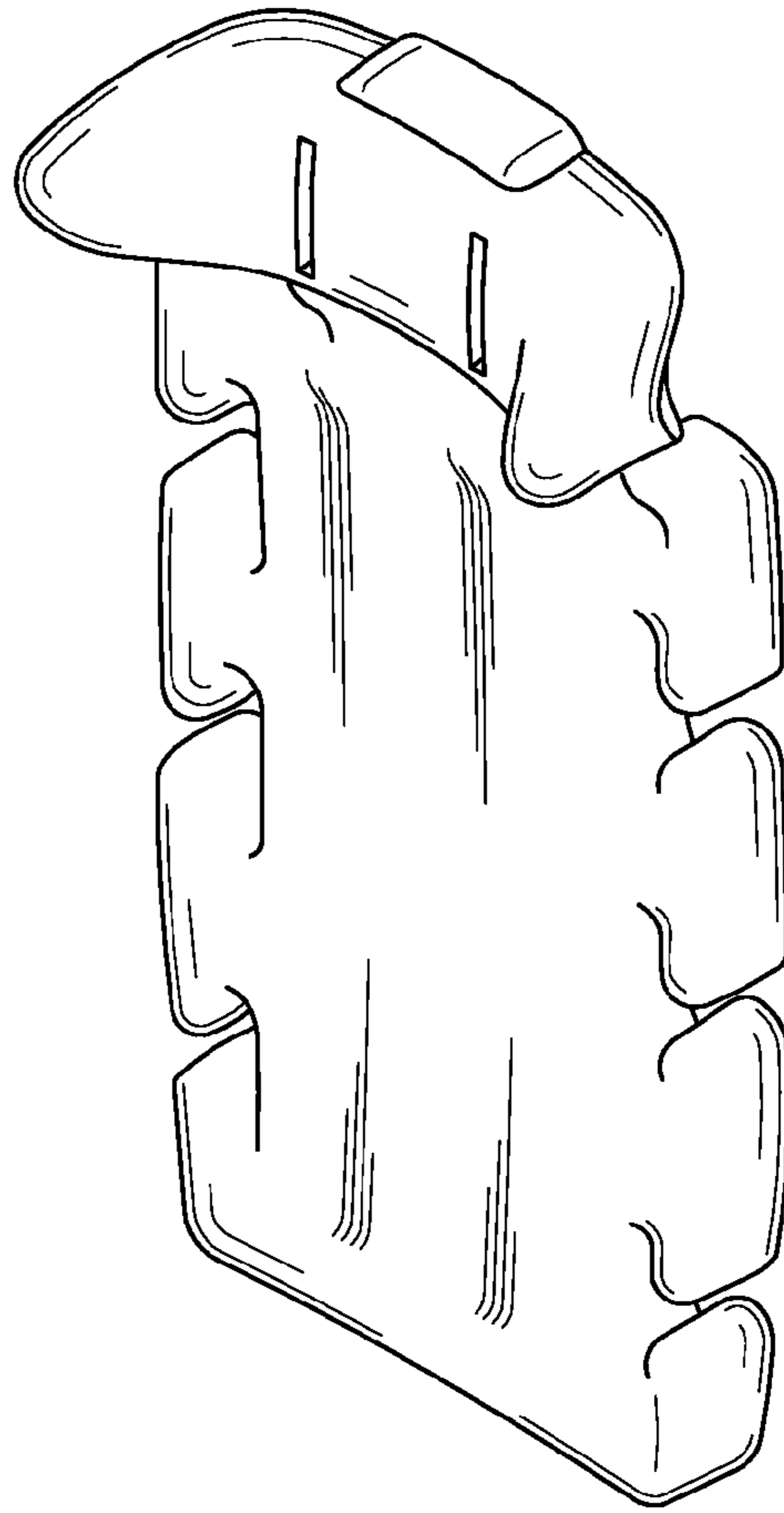


*FIG. 4*

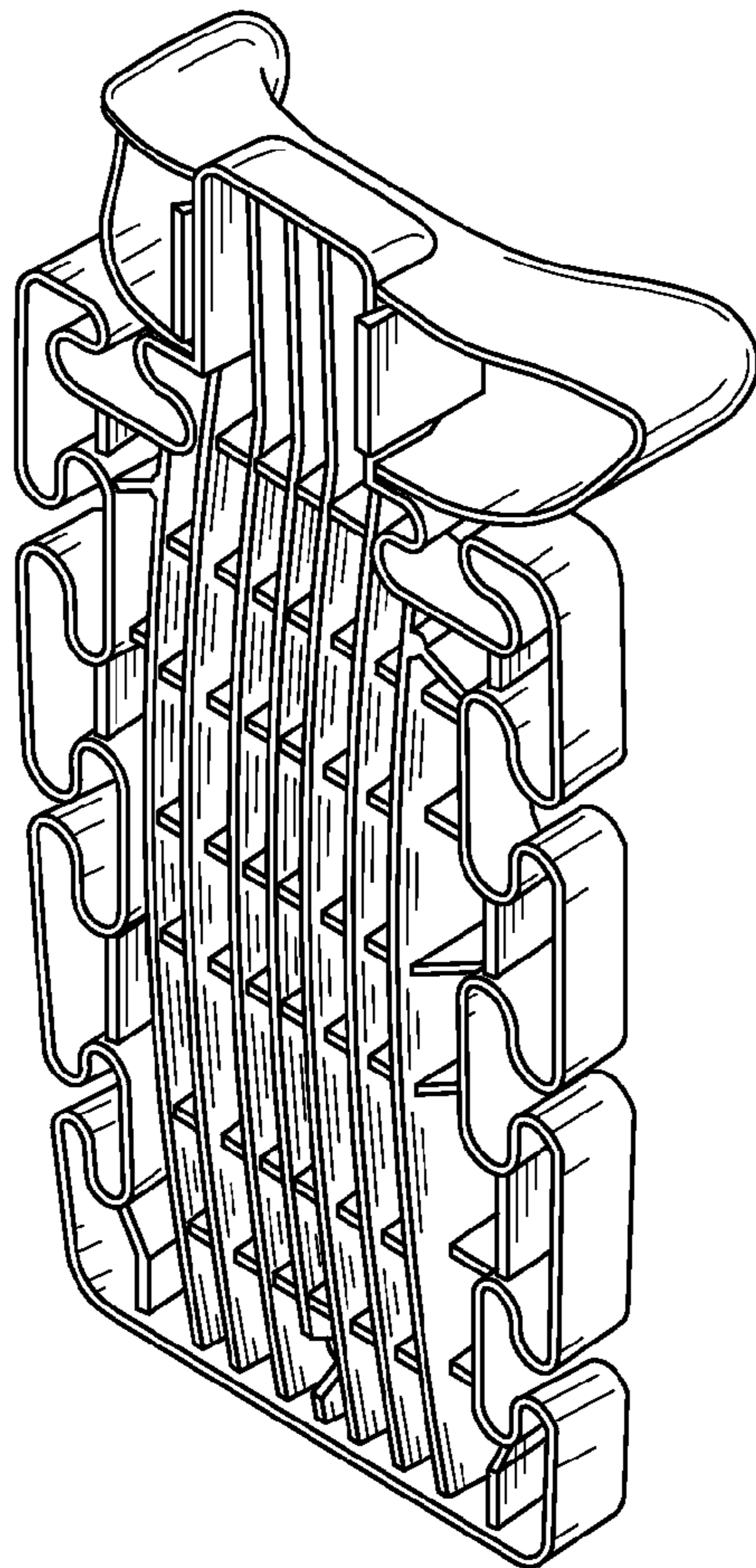


*FIG. 5*

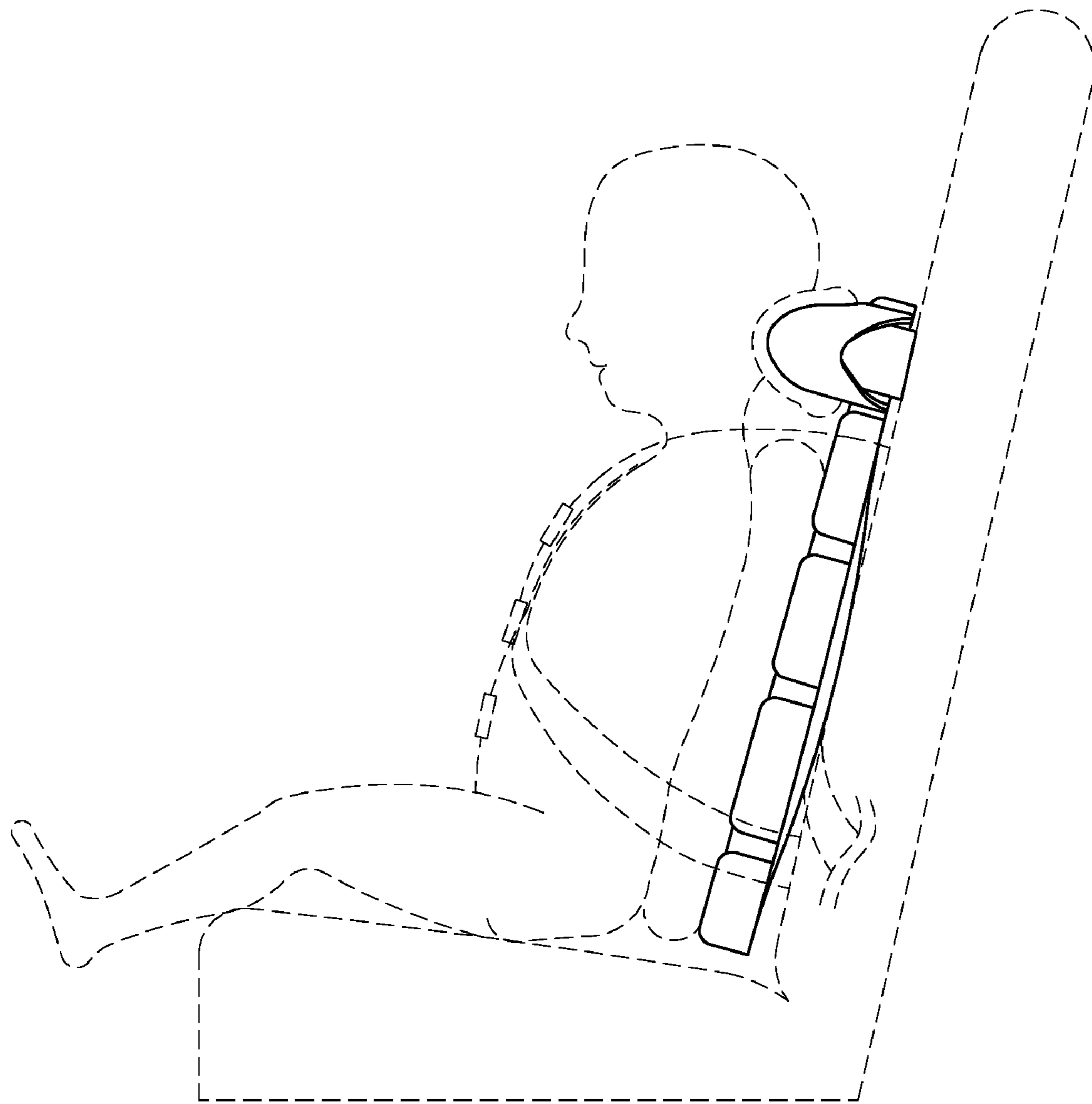




**FIG. 6**



**FIG. 7**



**FIG. 8**