



US00D599586S

(12) **United States Design Patent**
Moreschi

(10) **Patent No.:** **US D599,586 S**

(45) **Date of Patent:** **** Sep. 8, 2009**

(54) **CHAIR PART**

(75) Inventor: **Sergio Moreschi**, Brescia (IT)

(73) Assignee: **Co. Fe. Mo. S.p.A.**, Castegnato (IT)

(**) Term: **14 Years**

(21) Appl. No.: **29/302,133**

(22) Filed: **Jan. 10, 2008**

(30) **Foreign Application Priority Data**

Sep. 13, 2007 (EM) 000789060-0001
Sep. 13, 2007 (EM) 000789060-0002

(51) **LOC (9) Cl.** **06-01**

(52) **U.S. Cl.** **D6/500**

(58) **Field of Classification Search** D6/334,
D6/335, 364-367, 500-502; 248/161, 578;
297/344.18, 344.19, 344.21

See application file for complete search history.

(56) **References Cited**

U.S. PATENT DOCUMENTS

D285,633 S * 9/1986 Doerner D6/500
D450,957 S * 11/2001 Asbjørnsen D6/500
D468,940 S * 1/2003 Chen D6/500
D473,737 S * 4/2003 Klaesener et al. D6/500
D479,066 S * 9/2003 Klaesener et al. D6/500
D479,927 S * 9/2003 Hobb D6/500

D549,016 S * 8/2007 Donati D6/500
D550,989 S * 9/2007 Donati D6/500
D550,990 S * 9/2007 Donati D6/500
D550,991 S * 9/2007 Donati D6/500
D557,946 S * 12/2007 Matern et al. D6/500
2007/0228801 A1 * 10/2007 Matern 297/463.1

* cited by examiner

Primary Examiner—Elizabeth A Albert

Assistant Examiner—Kelley A Donnelly

(74) *Attorney, Agent, or Firm*—Pearne & Gordon LLP

(57) **CLAIM**

The ornamental design for a chair part, as shown and described.

DESCRIPTION

FIG. 1 is a perspective view of a chair part, showing my new design;

FIG. 2 is a front elevational view thereof;

FIG. 3 is a back elevational view thereof;

FIG. 4 is a left side elevational view thereof;

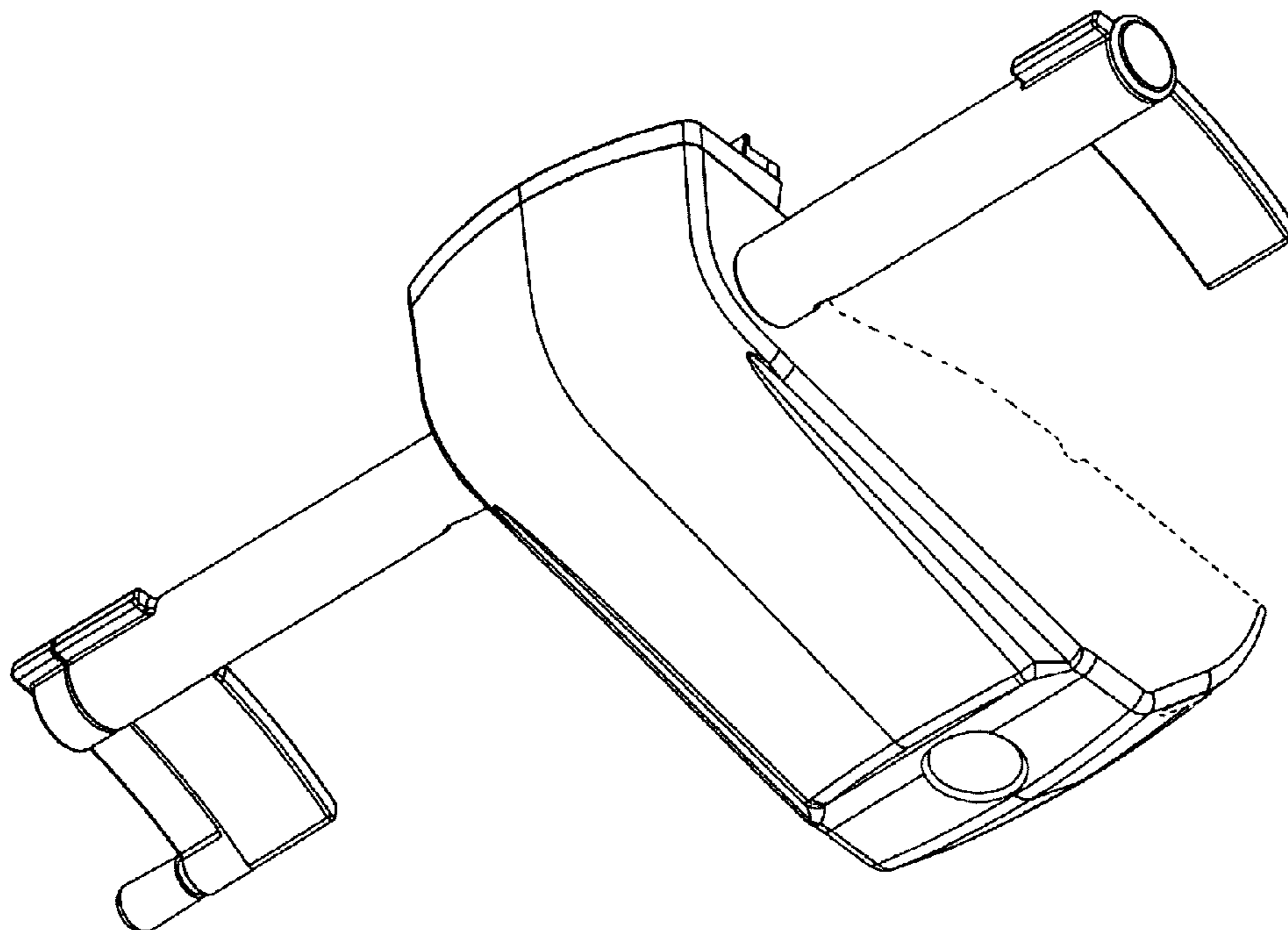
FIG. 5 is a right side elevational view thereof;

FIG. 6 is a top plan view thereof; and,

FIG. 7 is a bottom plan view thereof.

The broken lines define the bounds of the claimed design and form no part thereof.

1 Claim, 7 Drawing Sheets



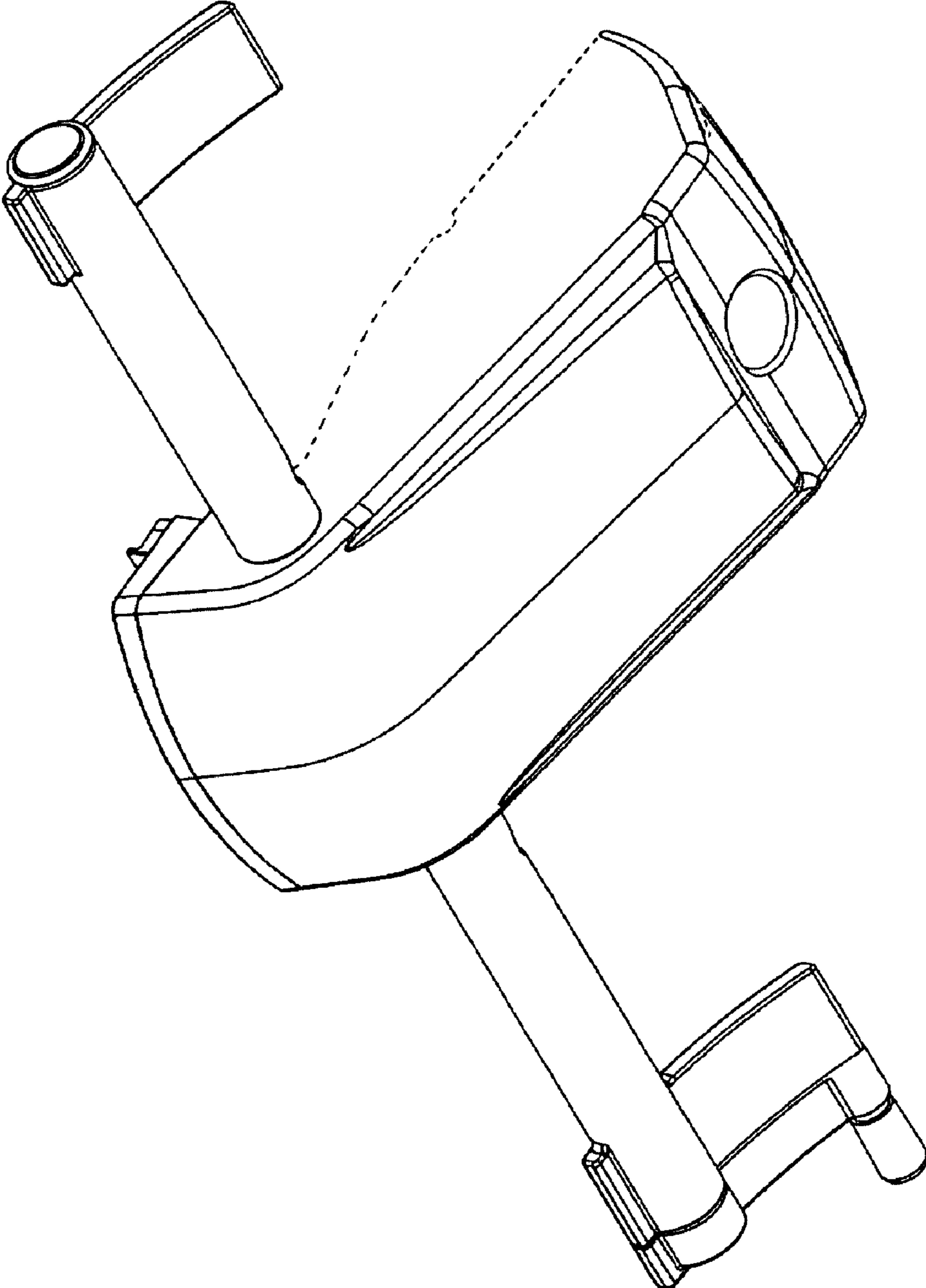


FIG. 1

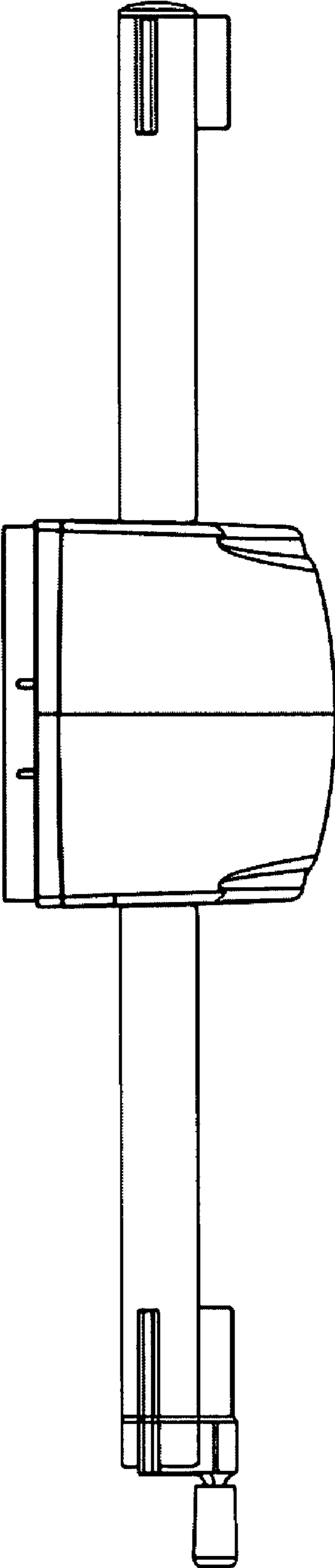


FIG. 2

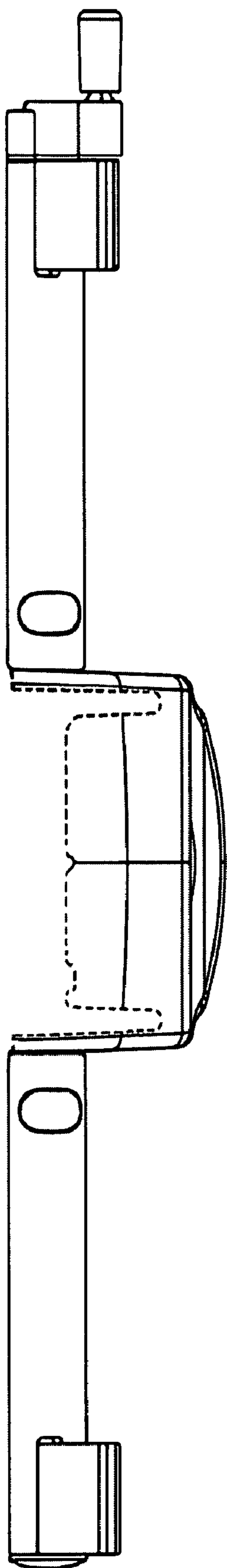


Fig.3

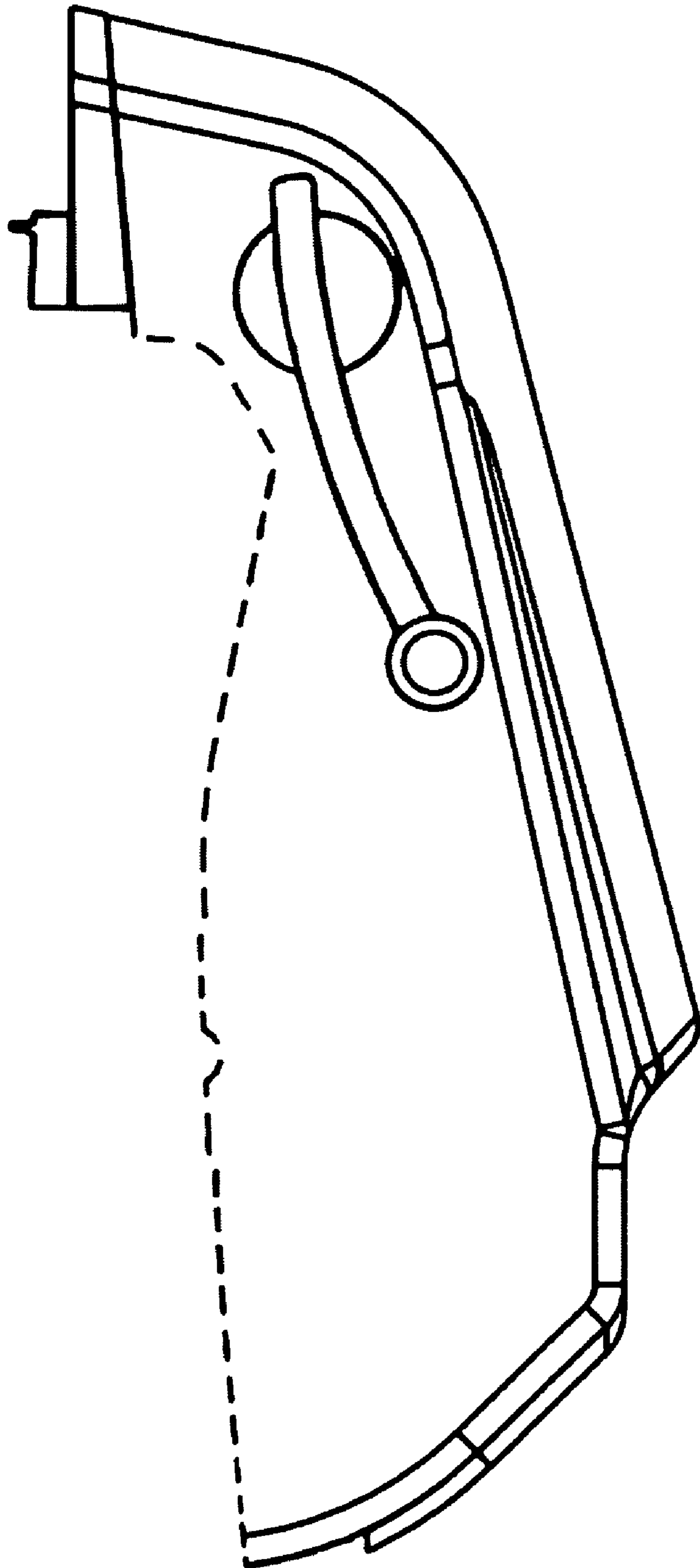


FIG. 4

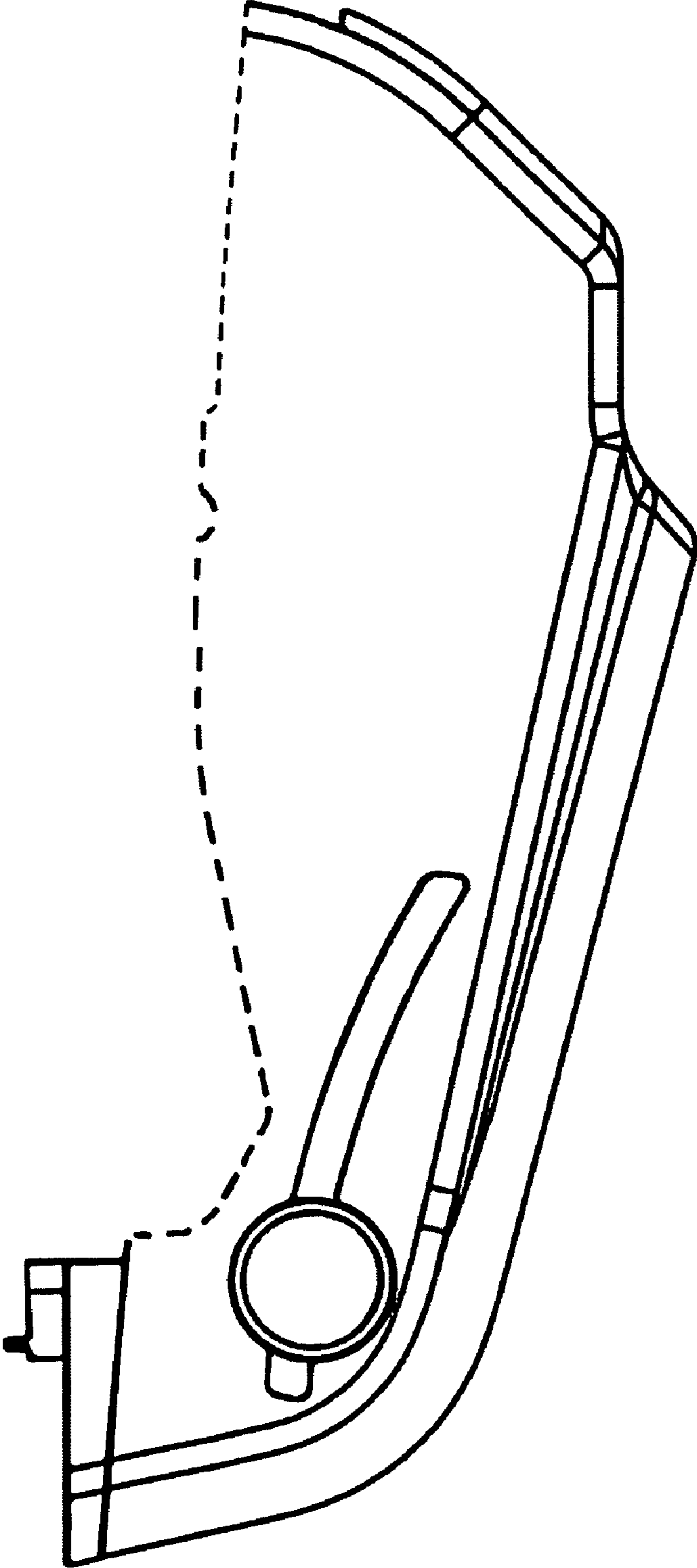


FIG. 5

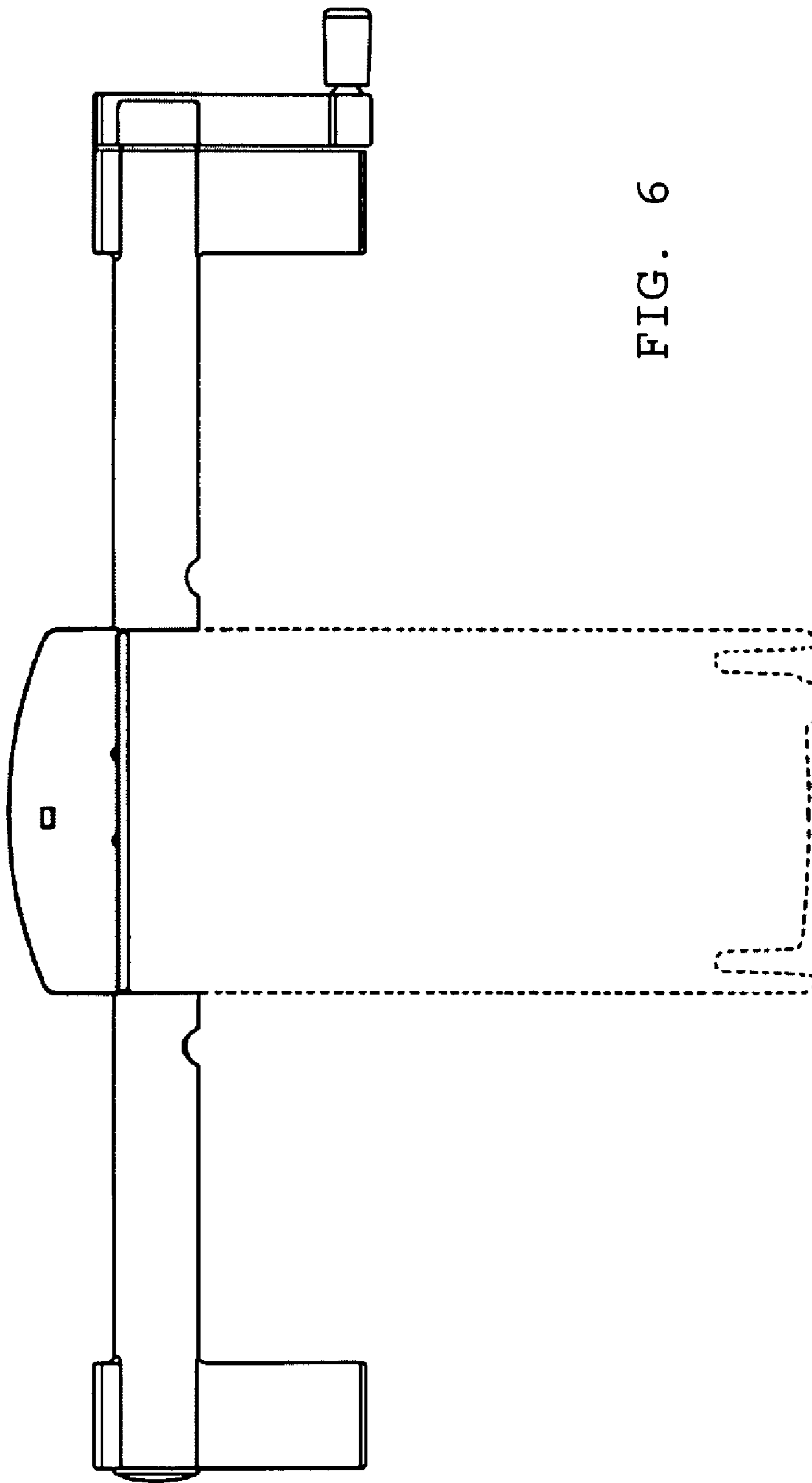


FIG. 6

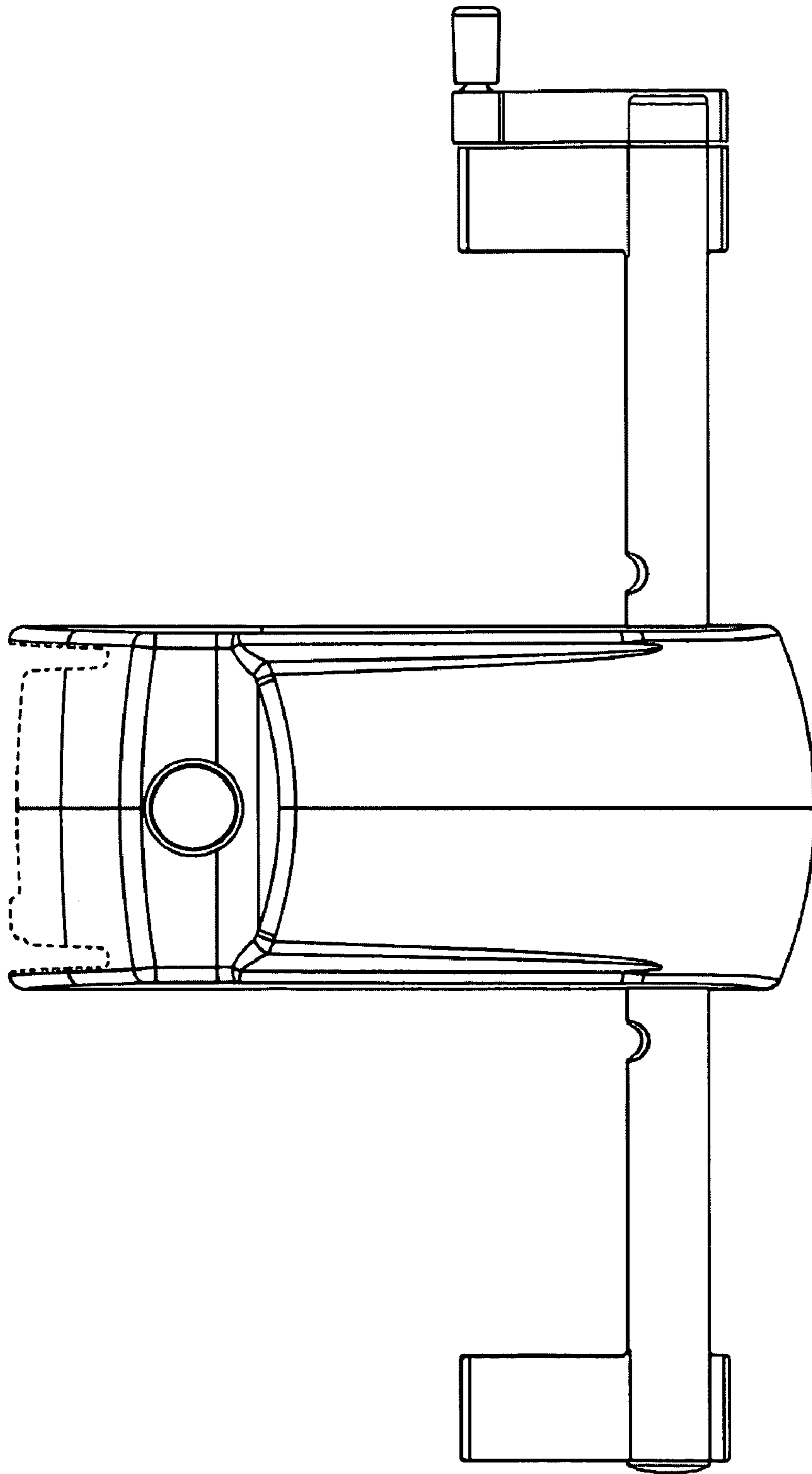


Fig.7