



US00D599584S

(12) **United States Design Patent**
Zambelli

(10) **Patent No.:** **US D599,584 S**
(45) **Date of Patent:** **** Sep. 8, 2009**

(54) **AUDIO VIDEO SHELVING UNIT**

(75) **Inventor:** **Michael P. Zambelli**, Basking Ridge, NJ (US)

(73) **Assignee:** **Bell'O International Corp.**, Morganville, NJ (US)

(**) **Term:** **14 Years**

(21) **Appl. No.:** **29/307,108**

(22) **Filed:** **Mar. 31, 2008**

(51) **LOC (9) Cl.** **06-04**

(52) **U.S. Cl.** **D6/477**

(58) **Field of Classification Search** D6/432-448, D6/460-468, 470-479; D14/126, 129, 139; 211/40, 41.12, 41.14, 42-43, 74, 90.01, 133.1; 312/7.2, 9.1, 9.59-9.64, 114, 237, 278-279
See application file for complete search history.

(56) **References Cited**

U.S. PATENT DOCUMENTS

D454,731 S	3/2002	Niitsu et al.	
D458,053 S	6/2002	Luong	
D459,118 S *	6/2002	Antonioni	D6/477
D472,073 S	3/2003	de Carolis	
D472,074 S	3/2003	de Carolis	
D472,075 S	3/2003	de Carolis	
D474,047 S *	5/2003	Lara	D6/479
D489,548 S	5/2004	Malizia et al.	
D491,748 S	6/2004	deCarolis	
D491,749 S	6/2004	Malizia et al.	
D491,750 S	6/2004	Bertoncini et al.	
D491,753 S	6/2004	deCarolis	
D492,860 S	7/2004	Bertoncini et al.	
D493,982 S	8/2004	deCarolis	
D496,807 S	10/2004	deCarolis	

D497,060 S	10/2004	Chang et al.	
D497,061 S	10/2004	Decarolis	
D505,573 S	5/2005	Malizia	
D505,576 S *	5/2005	Chang	D6/477

(Continued)

OTHER PUBLICATIONS

Bell'O 2005-2006 Product Catalog.

Primary Examiner—Caron Veynar

Assistant Examiner—Ricky Pham

(74) *Attorney, Agent, or Firm*—Lerner, David, Littenberg, Krumholz & Mentlik, LLP

(57) **CLAIM**

The ornamental design for an audio video shelving unit, as shown and described.

DESCRIPTION

FIG. 1 is a front perspective view of a first embodiment of my design for an audio video shelving unit;

FIG. 2 is a front elevational view thereof;

FIG. 3 is a rear elevational view thereof;

FIG. 4 is a top plan view thereof;

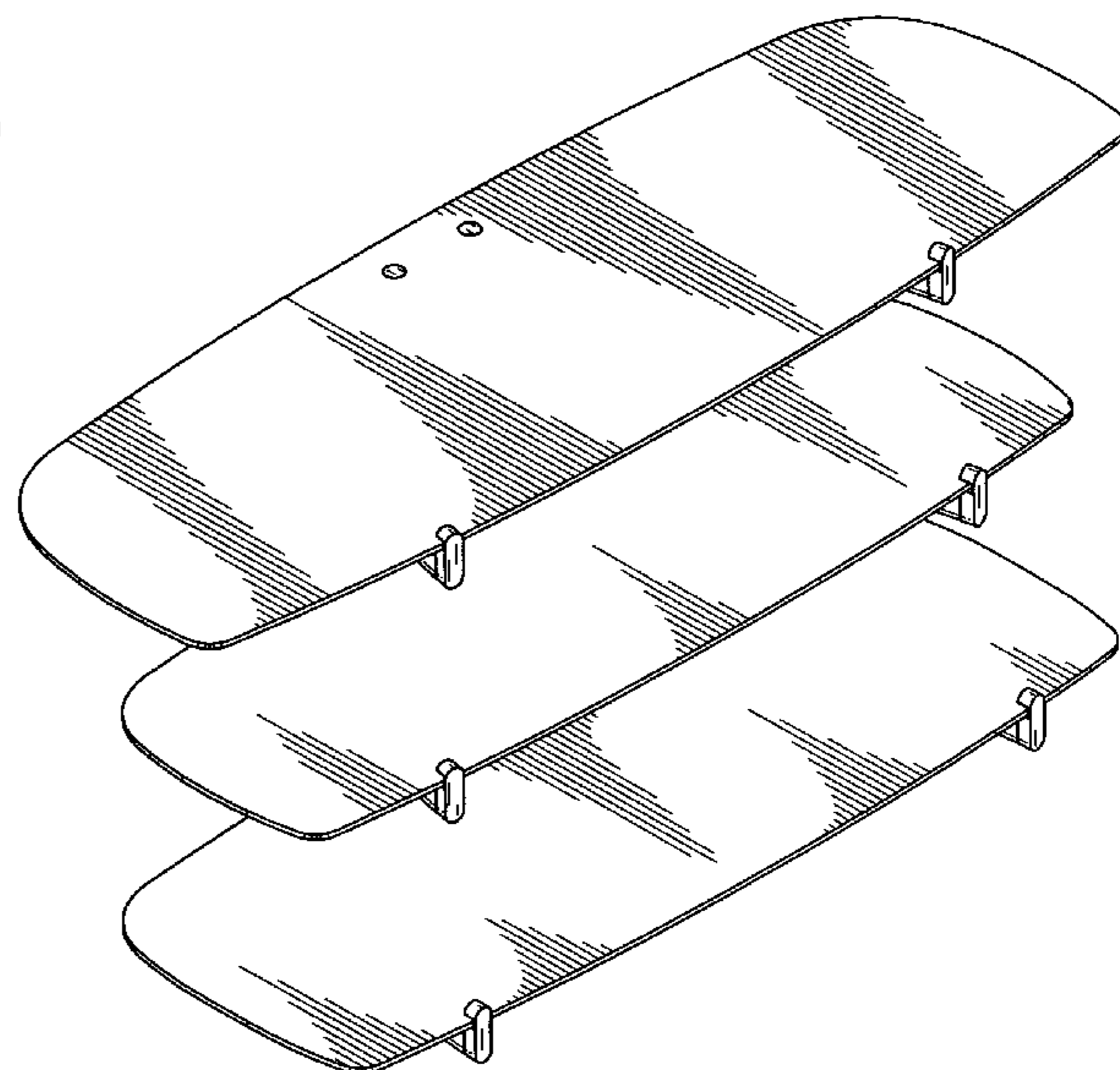
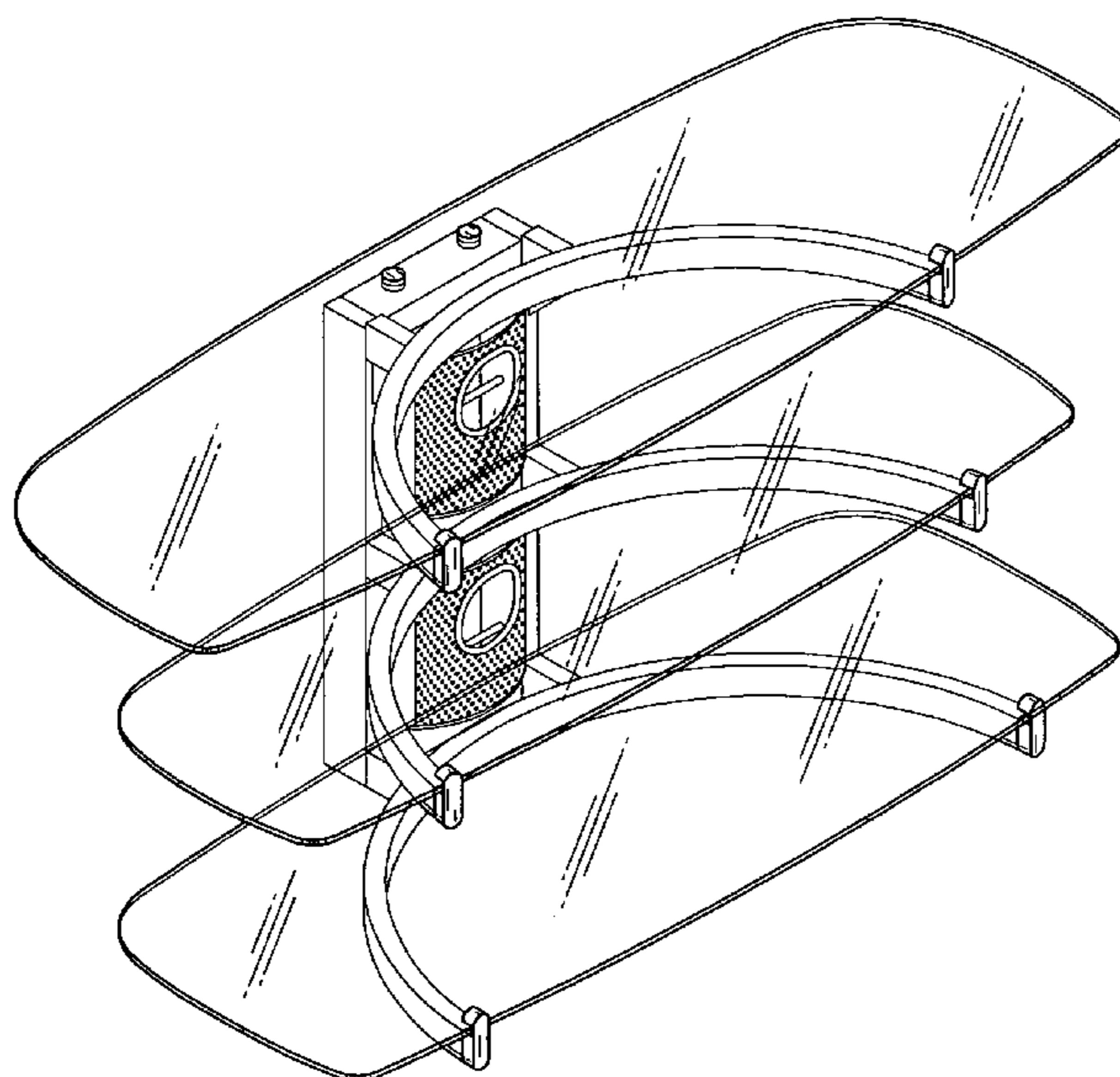
FIG. 5 is a right side view thereof (the left side being a mirror image of the right side view);

FIG. 6 is a front perspective view of a second embodiment of the audio video shelving unit; and,

FIG. 7 is a top plan view of the embodiment shown in FIG. 6 (all other views of the second embodiment having the same appearances as FIGS. 1-5).

The broken lines shown on the drawings are included for the purpose of illustration and form no part of the claimed design.

1 Claim, 7 Drawing Sheets



US D599,584 S

Page 2

U.S. PATENT DOCUMENTS

D506,329 S	6/2005	Sexton		D537,656 S	3/2007	Stenhouse et al.	
D507,433 S	7/2005	Portnoy		D539,565 S *	4/2007	Sexton, III	D6/474
D507,900 S	8/2005	Sexton		D549,991 S	9/2007	Stravitz	
D508,172 S	8/2005	Malizia et al.		D554,393 S	11/2007	Yalif	
D515,337 S	2/2006	deCarolis		D555,397 S	11/2007	Yalif	
D516,838 S	3/2006	Portnoy		D559,583 S	1/2008	Zambelli	
D516,840 S	3/2006	deCarolis		D559,584 S	1/2008	Zambelli	
D516,847 S	3/2006	Stenhouse et al.		D560,077 S	1/2008	Zambelli	
D517,350 S *	3/2006	Sexton	D6/479	D562,593 S	2/2008	Zambelli	
D519,757 S	5/2006	Portnoy		D564,260 S	3/2008	deCarolis	
D524,080 S	7/2006	Stenhouse et al.		D564,261 S	3/2008	Sculler	
D524,578 S *	7/2006	Stenhouse et al.	D6/479	D564,789 S	3/2008	deCarolis	
D525,052 S	7/2006	Malizia et al.		D564,796 S *	3/2008	Zambelli	D6/477
D525,054 S	7/2006	Stenhouse et al.		D564,797 S *	3/2008	Yamaguchi	D6/477
D527,208 S	8/2006	Malizia et al.		D566,426 S *	4/2008	Stenhouse et al.	D6/474
D535,497 S	1/2007	Portnoy		D566,992 S *	4/2008	Ongor	D6/479

* cited by examiner

FIG. 1

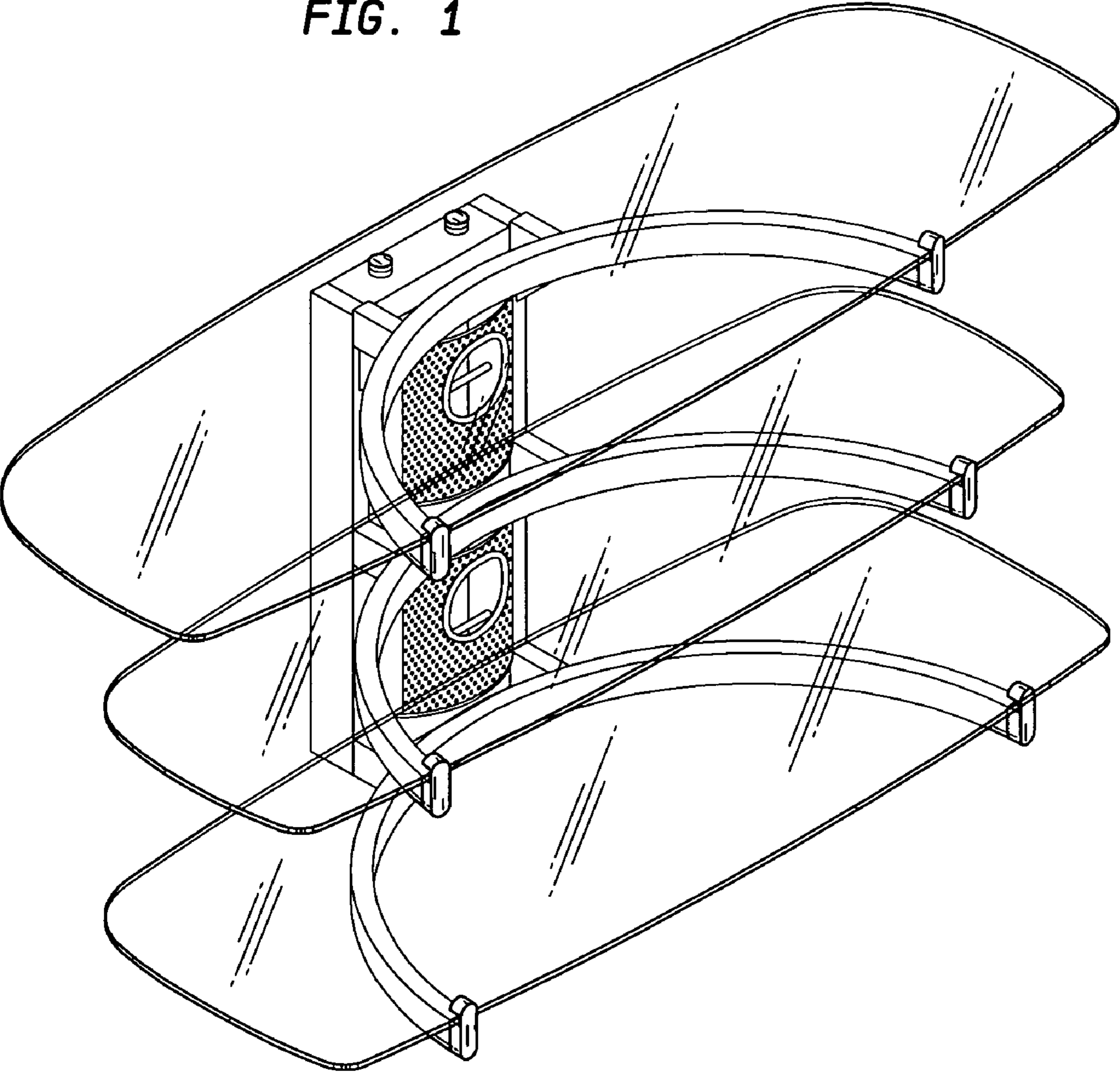


FIG. 2

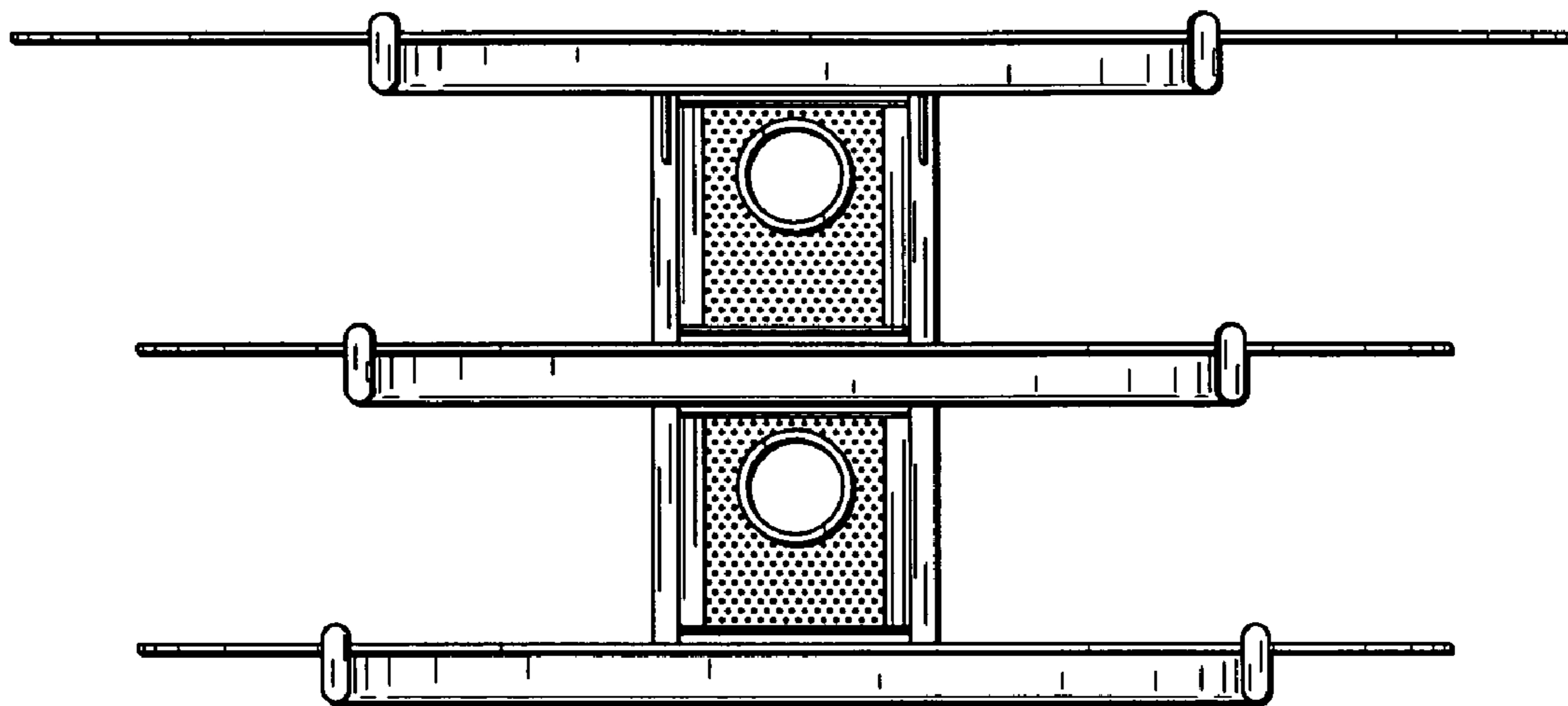


FIG. 3

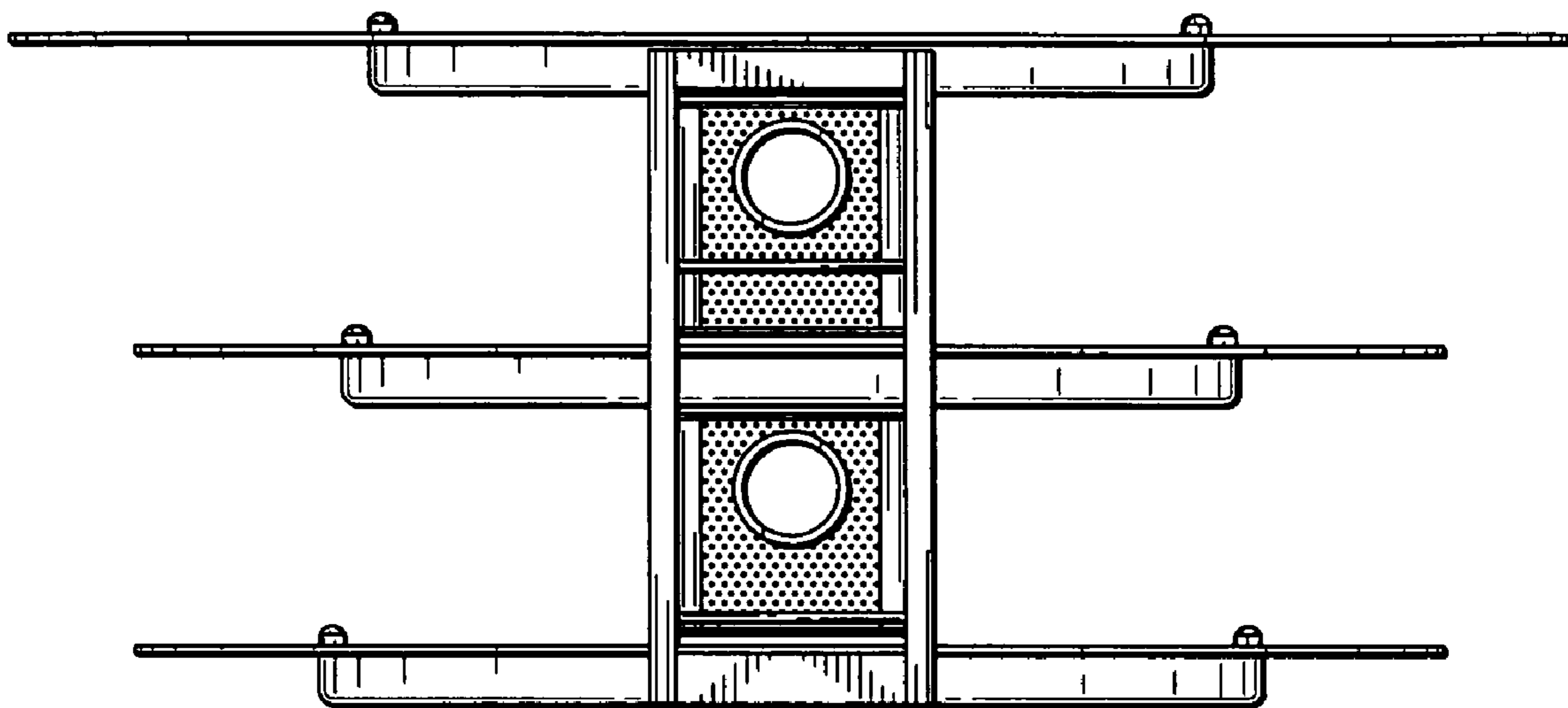


FIG. 4

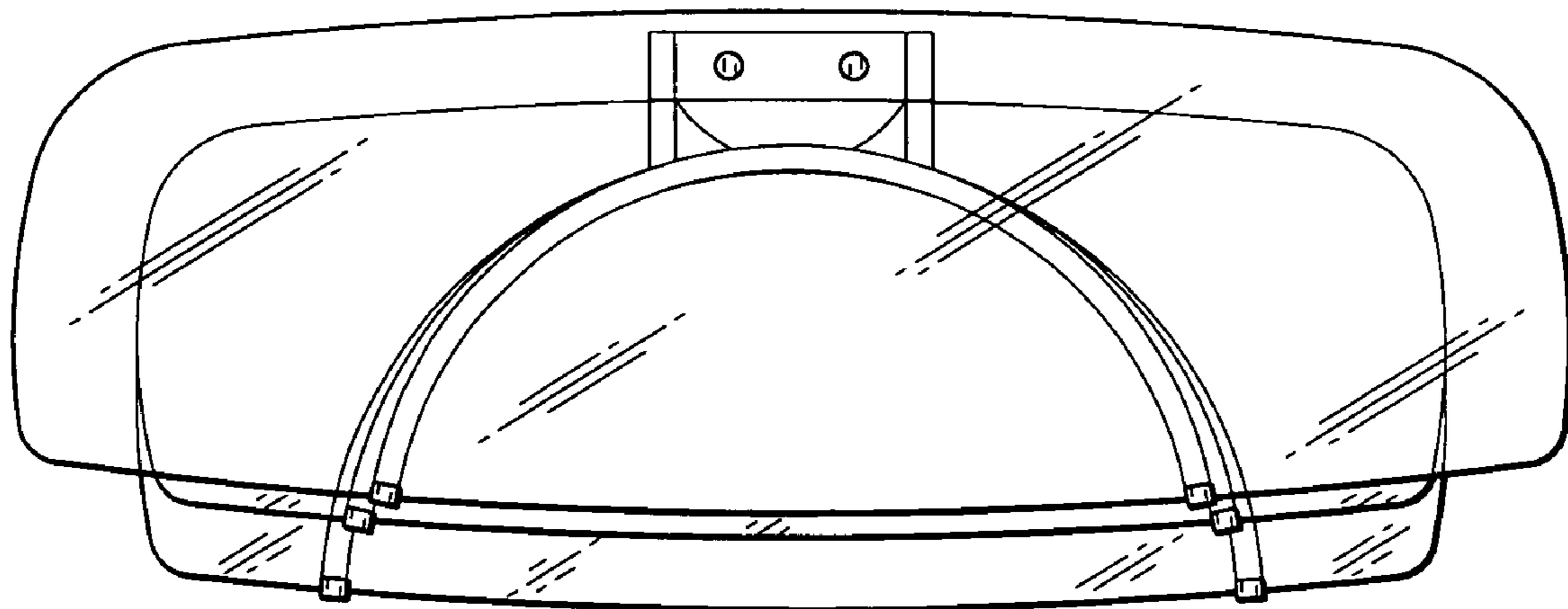


FIG. 5

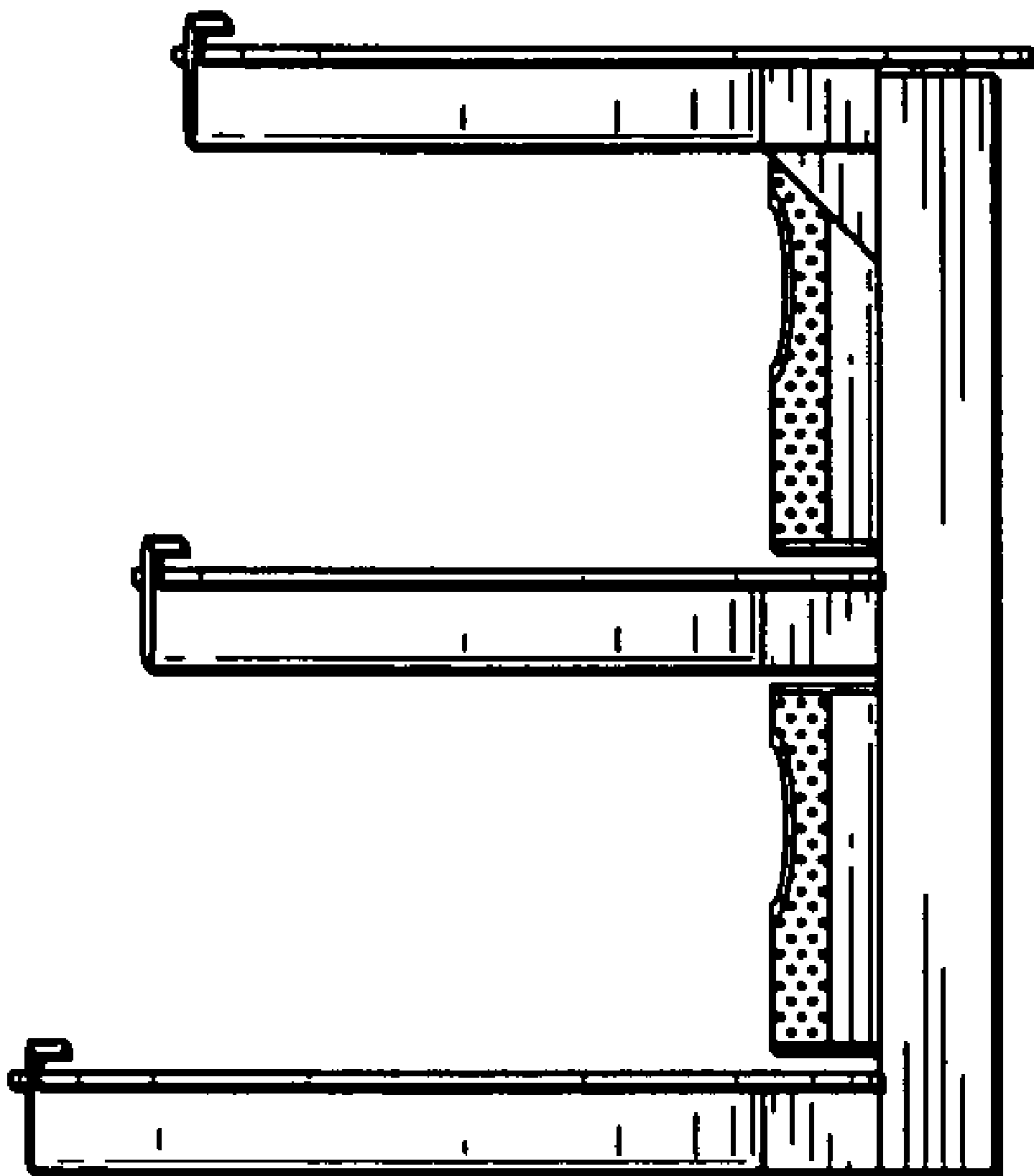


FIG. 6

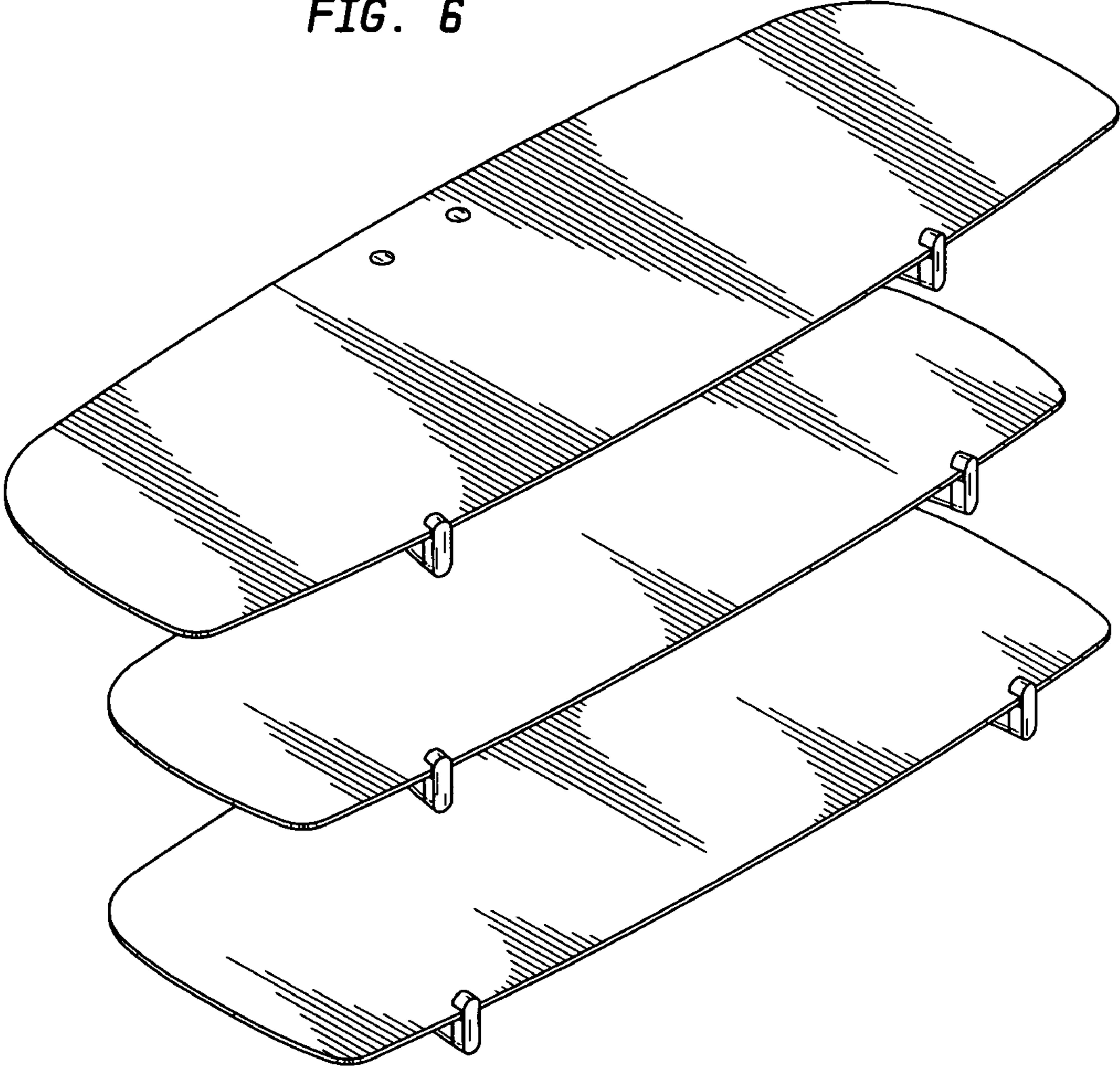


FIG. 7

