

US00D599582S

(12) **United States Design Patent**  
**DeCardenas**

(10) **Patent No.:** **US D599,582 S**

(45) **Date of Patent:** **\*\* Sep. 8, 2009**

(54) **PERFORATED DISPLAY RACK**

(76) **Inventor:** **Gilbert L. DeCardenas**, 14940 Proctor Ave., City of Industry, CA (US) 91744

(\*\*) **Term:** **14 Years**

(21) **Appl. No.:** **29/309,622**

(22) **Filed:** **Sep. 12, 2008**

(51) **LOC (9) Cl.** ..... **06-04**

(52) **U.S. Cl.** ..... **D6/474**

(58) **Field of Classification Search** ..... D6/474,  
D6/455, 457, 449, 464-468; 108/59, 91-92,  
108/100, 235.1, 235.2, 278, 281; 248/174,  
248/176, 346

See application file for complete search history.

(56) **References Cited**

**U.S. PATENT DOCUMENTS**

2,321,339	A *	6/1943	Wadsworth	.....	206/560
3,564,790	A *	2/1971	Rehfeld	.....	52/183
4,025,137	A *	5/1977	Wylar	.....	312/114
D250,441	S *	12/1978	Richman et al.	.....	D6/468
D336,802	S *	6/1993	Eidsmoe et al.	.....	D6/469
5,357,876	A *	10/1994	Kniefel et al.	.....	108/92
D364,054	S *	11/1995	Weber	.....	D6/474
D381,840	S *	8/1997	Bevill et al.	.....	D6/474
5,692,445	A *	12/1997	Winer	.....	108/100
5,749,808	A *	5/1998	Harris	.....	482/52
D507,431	S *	7/2005	Goth	.....	D6/474
D524,577	S *	7/2006	Gusdorf et al.	.....	D6/474

D530,117	S *	10/2006	Nomoto	.....	D6/474
D555,936	S *	11/2007	King	.....	D6/469
D574,005	S *	7/2008	Chung	.....	D14/447
D588,139	S *	3/2009	Fujino et al.	.....	D14/447
2004/0060879	A1 *	4/2004	Cohen	.....	211/85.2

\* cited by examiner

*Primary Examiner*—Elizabeth A Albert

*Assistant Examiner*—Kelly A Donnelly

(74) *Attorney, Agent, or Firm*—Breneman & Georges

(57) **CLAIM**

The ornamental design for a perforated display rack, as shown and described.

**DESCRIPTION**

FIG. 1 is a front elevational view of the invention;

FIG. 2 is a rear elevational view of FIG. 1;

FIG. 3 is a right side elevational view of FIG. 1, the left side view being a mirror image thereof;

FIG. 4 is a top plan view of FIG. 1;

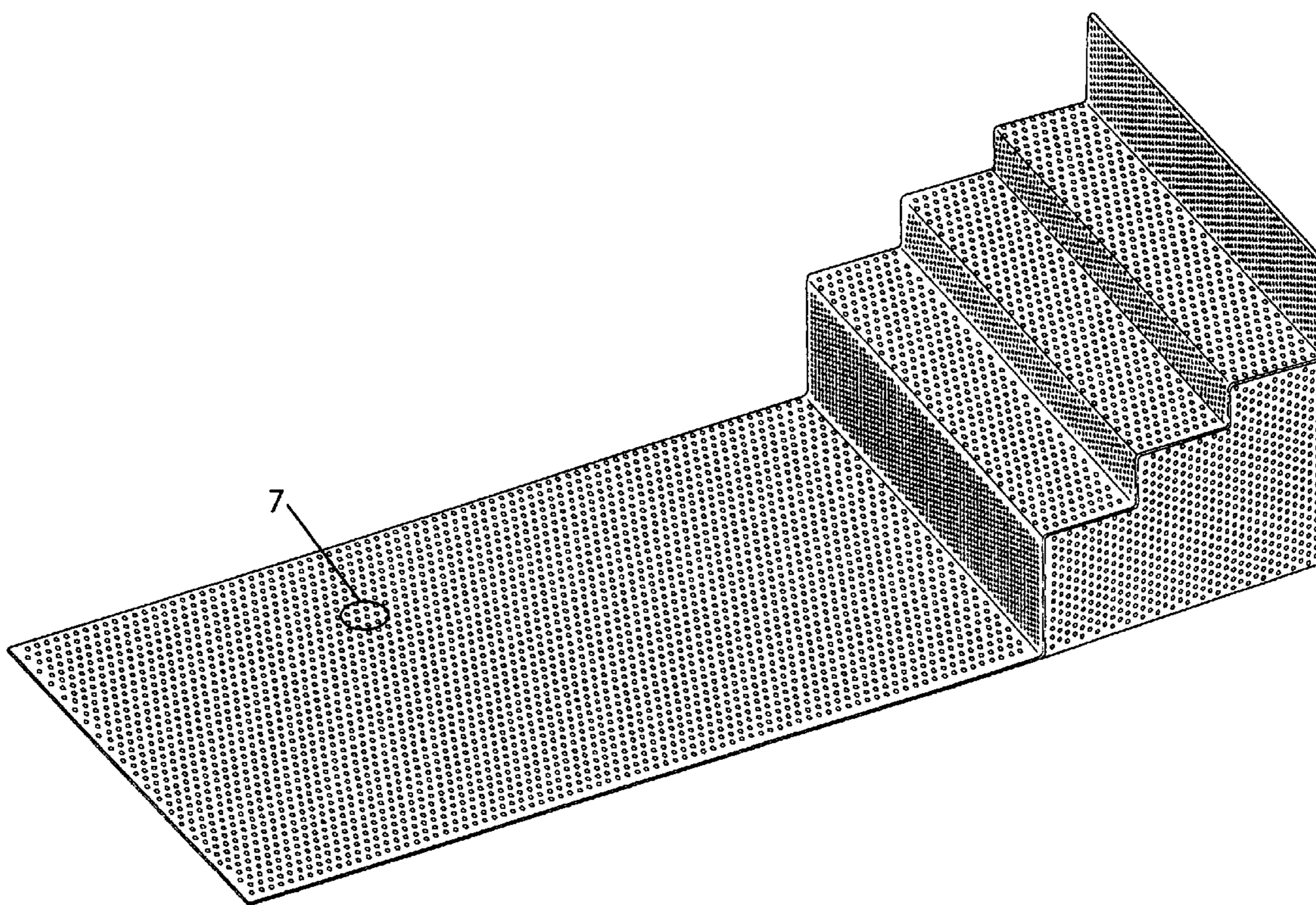
FIG. 5 is a bottom plan view of FIG. 1;

FIG. 6 is a perspective view of FIG. 1; and,

FIG. 7 is an enlarged detail view of a portion of FIG. 6.

The broken lines showing display items in the drawings are for environmental purposes only and form no part of the claimed design.

**1 Claim, 6 Drawing Sheets**





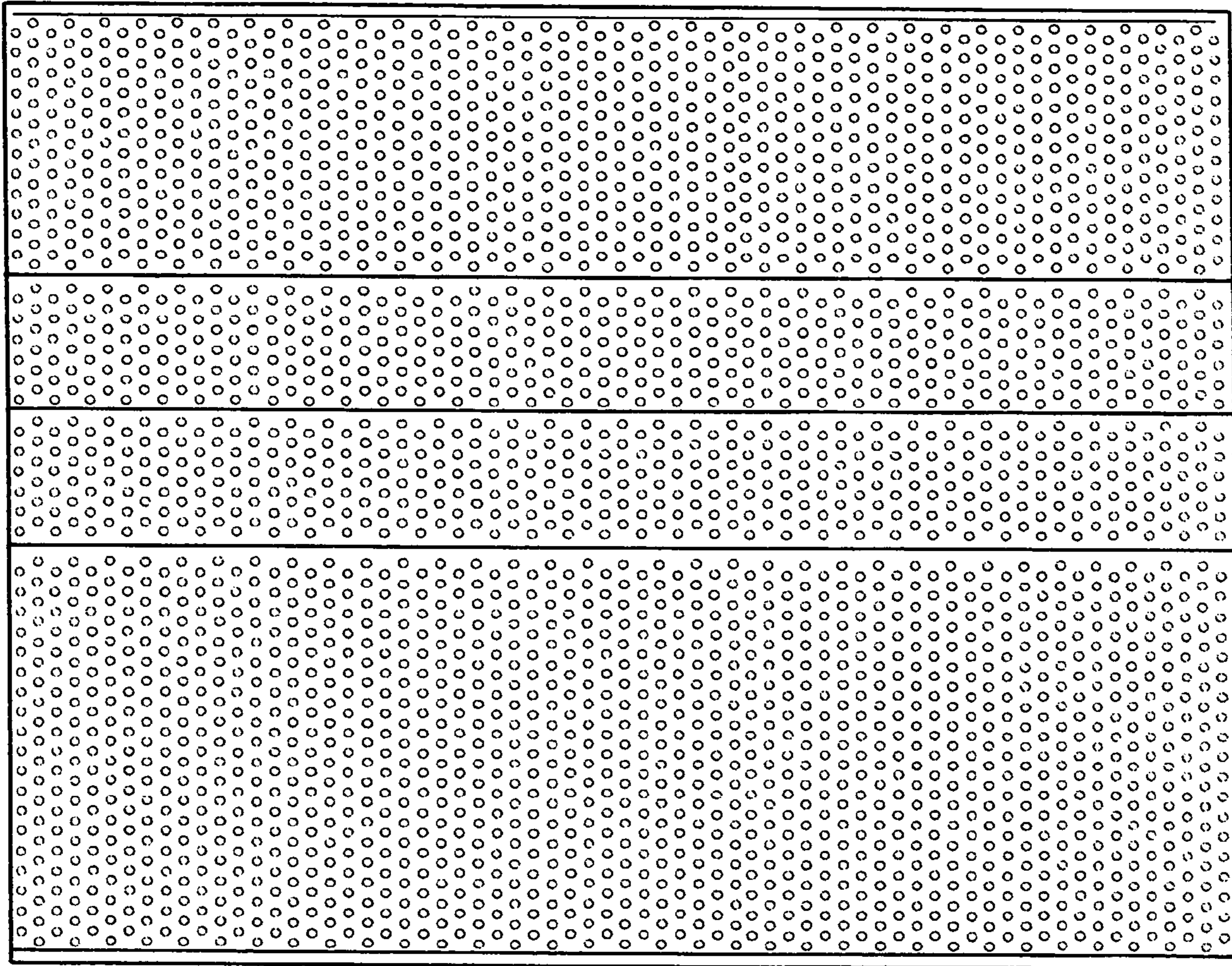


FIG. 1



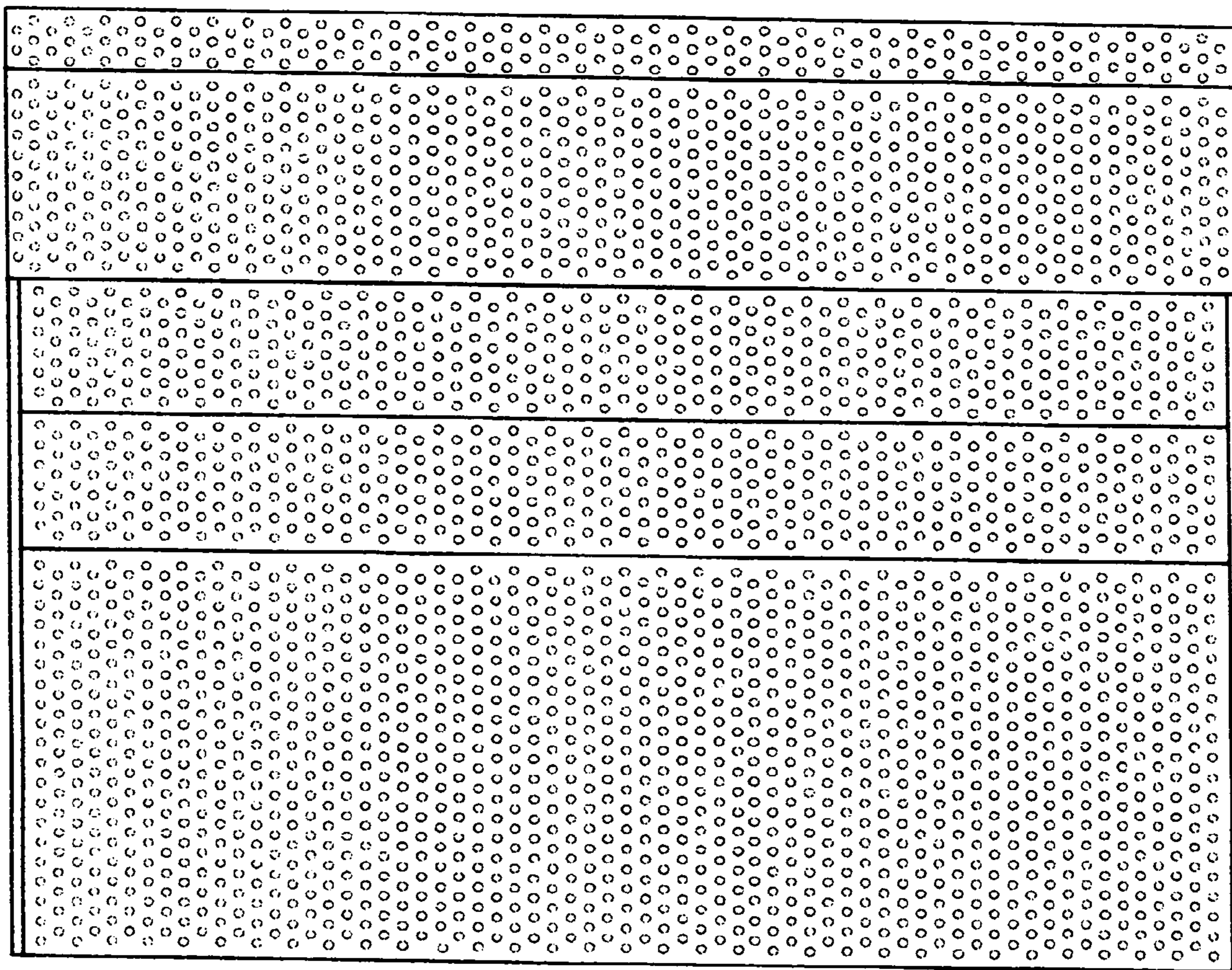


FIG. 2

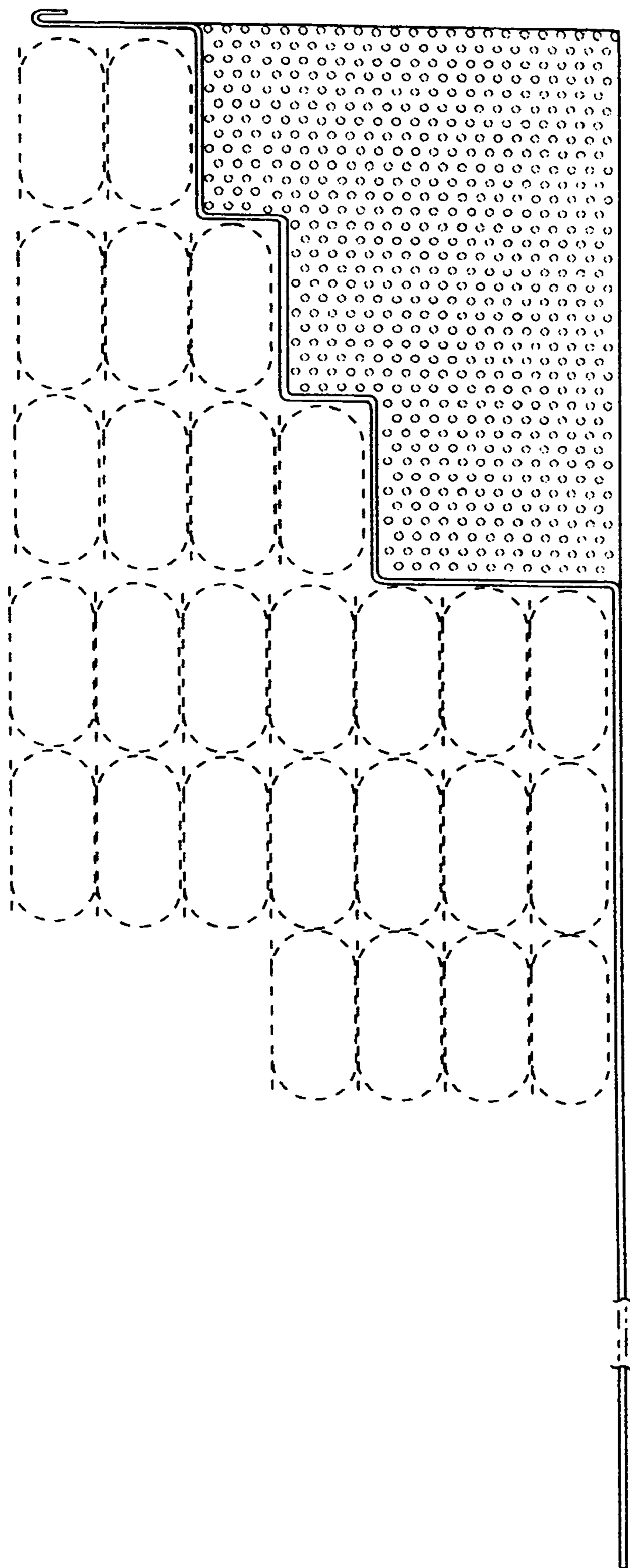


FIG. 3



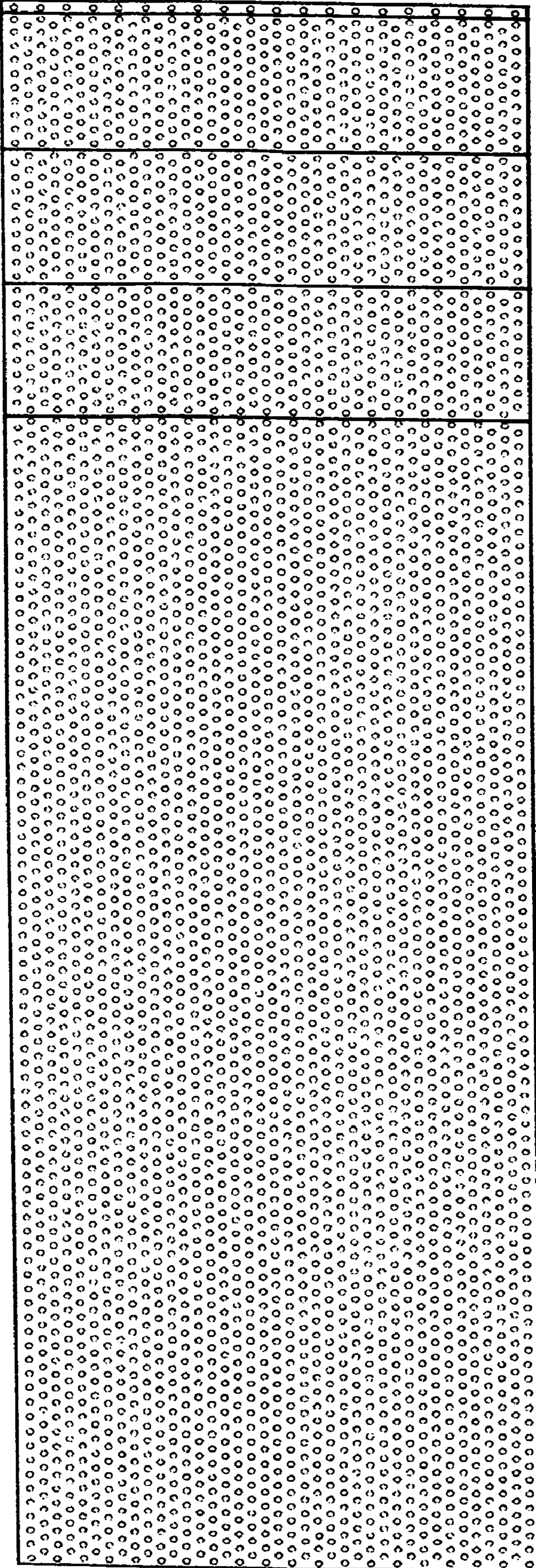


FIG. 4



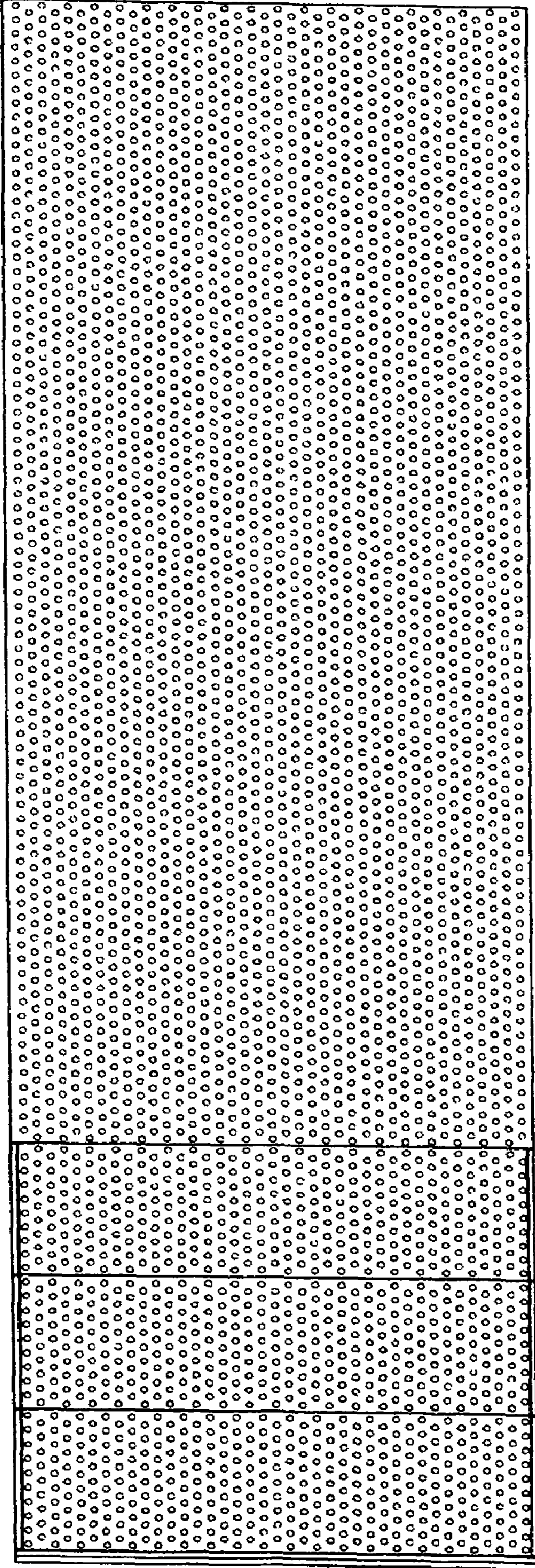


FIG. 5



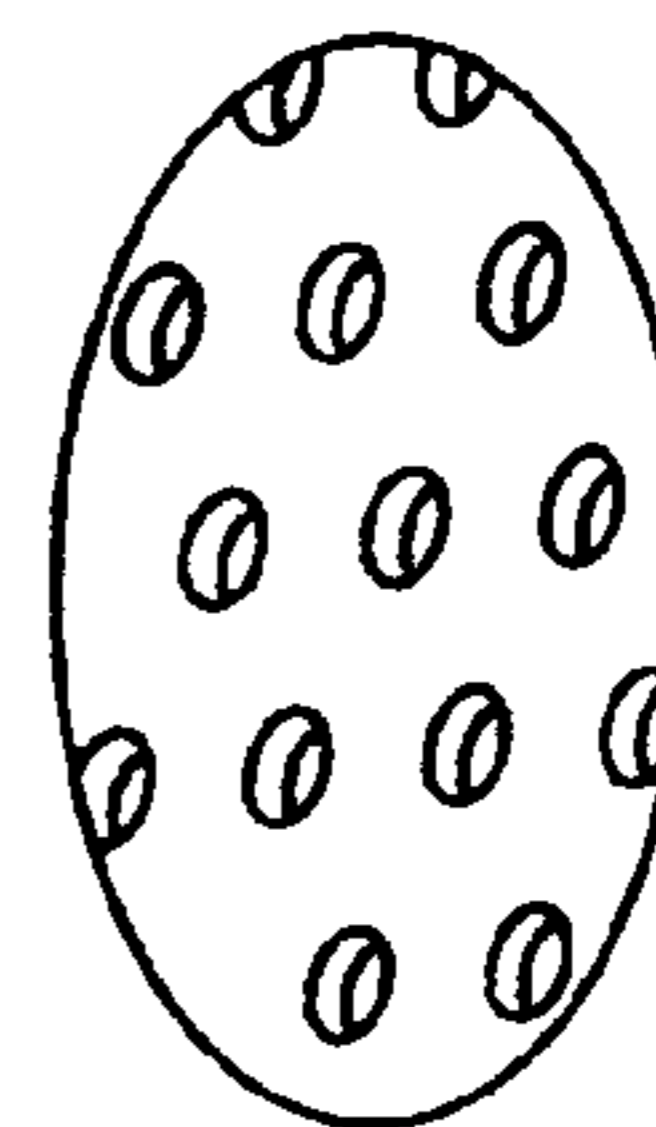
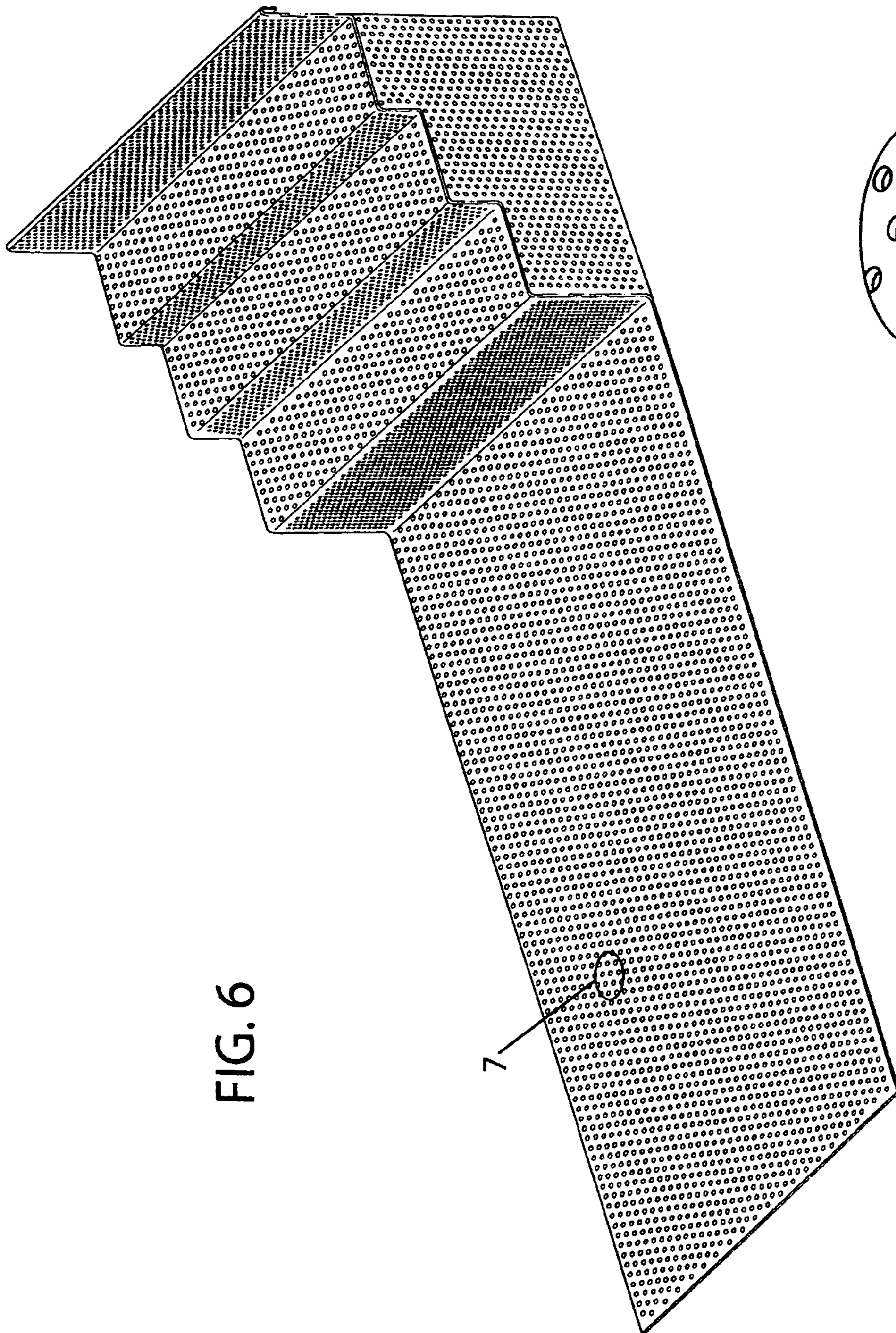


FIG. 7