



US00D599580S

(12) **United States Design Patent**
Whittier et al.

(10) **Patent No.:** **US D599,580 S**
(45) **Date of Patent:** **** Sep. 8, 2009**

(54) **FOCAL SHELF**

(75) Inventors: **Michael A. Whittier**, Minneapolis, MN (US); **Jeremy A. Clark**, Minneapolis, MN (US); **David H. Cheney**, Shoreview, MN (US); **Joseph R. Guggenberger**, Rogers, MN (US)

(73) Assignee: **Target Brands, Inc.**, Minneapolis, MN (US)

(**) Term: **14 Years**

(21) Appl. No.: **29/332,954**

(22) Filed: **Feb. 27, 2009**

(51) **LOC (9) Cl.** **06-04**

(52) **U.S. Cl.** **D6/462; D6/574**

(58) **Field of Classification Search** D6/458, D6/462, 467, 457, 466, 547, 511; 211/13.1, 211/87.01, 94.01, 106, 88.01, 90.03, 70.6, 211/181.1, 90.01, 119.004; 248/302, 211, 248/215, 290.1, 304; D8/370, 373, 367

See application file for complete search history.

(56) **References Cited**

U.S. PATENT DOCUMENTS

3,817,396	A	6/1974	Markson	
4,253,578	A	3/1981	Rekow	
4,380,298	A	4/1983	Harig	
4,460,097	A	7/1984	Darnell, II et al.	
4,655,354	A	4/1987	Cohen	
4,693,381	A *	9/1987	Lodge	211/94.01
4,716,841	A	1/1988	Suttles	
4,932,540	A	6/1990	Pfeifer	
5,014,862	A	5/1991	Bustos	
D318,194	S	7/1991	Terrell et al.	
6,029,833	A	2/2000	Yeh	
6,089,387	A	7/2000	Varfolomeeva	
6,213,434	B1	4/2001	Reichanadter, Jr.	
6,216,888	B1 *	4/2001	Chien	211/87.01
6,299,001	B1 *	10/2001	Frolov et al.	211/106
D450,473	S	11/2001	Walter	
D451,300	S	12/2001	Stafford et al.	
D455,295	S *	4/2002	Miller	D6/462
D459,106	S	6/2002	Walter	
6,412,647	B1 *	7/2002	Ko	211/106
6,431,374	B1	8/2002	Winikoff	

D473,073	S *	4/2003	Kettering et al.	D6/462
6,959,824	B1	11/2005	Alperson	
7,118,000	B2	10/2006	Shea	
7,118,001	B2 *	10/2006	Klein et al.	211/90.03
7,228,977	B2 *	6/2007	Perkins et al.	211/94.01
D571,130	S	6/2008	Clark et al.	
D571,131	S	6/2008	Clark et al.	
D580,744	S *	11/2008	Shaha et al.	D8/367
D580,745	S *	11/2008	Shaha et al.	D8/367
2005/0236544	A1 *	10/2005	Mancino et al.	248/304

* cited by examiner

Primary Examiner—Caron Veynar

Assistant Examiner—Sydney R Buffalow

(74) *Attorney, Agent, or Firm*—Griffiths & Seaton PLLC

(57) **CLAIM**

The ornamental design for a focal shelf, as shown and described.

DESCRIPTION

FIG. 1 is a top, perspective view of a focal shelf, according to one embodiment;

FIG. 2 is a bottom, perspective view thereof;

FIG. 3 is a top view thereof;

FIG. 4 is a bottom view thereof;

FIG. 5 is a front view thereof;

FIG. 6 is a back view thereof;

FIG. 7 is a left side view thereof;

FIG. 8 is a right side view thereof;

FIGS. 9–15 are enlarged views thereof, where:

FIG. 9 is a top, perspective view thereof;

FIG. 10 is a bottom, perspective view thereof;

FIG. 11 is a top view thereof;

FIG. 12 is a bottom view thereof;

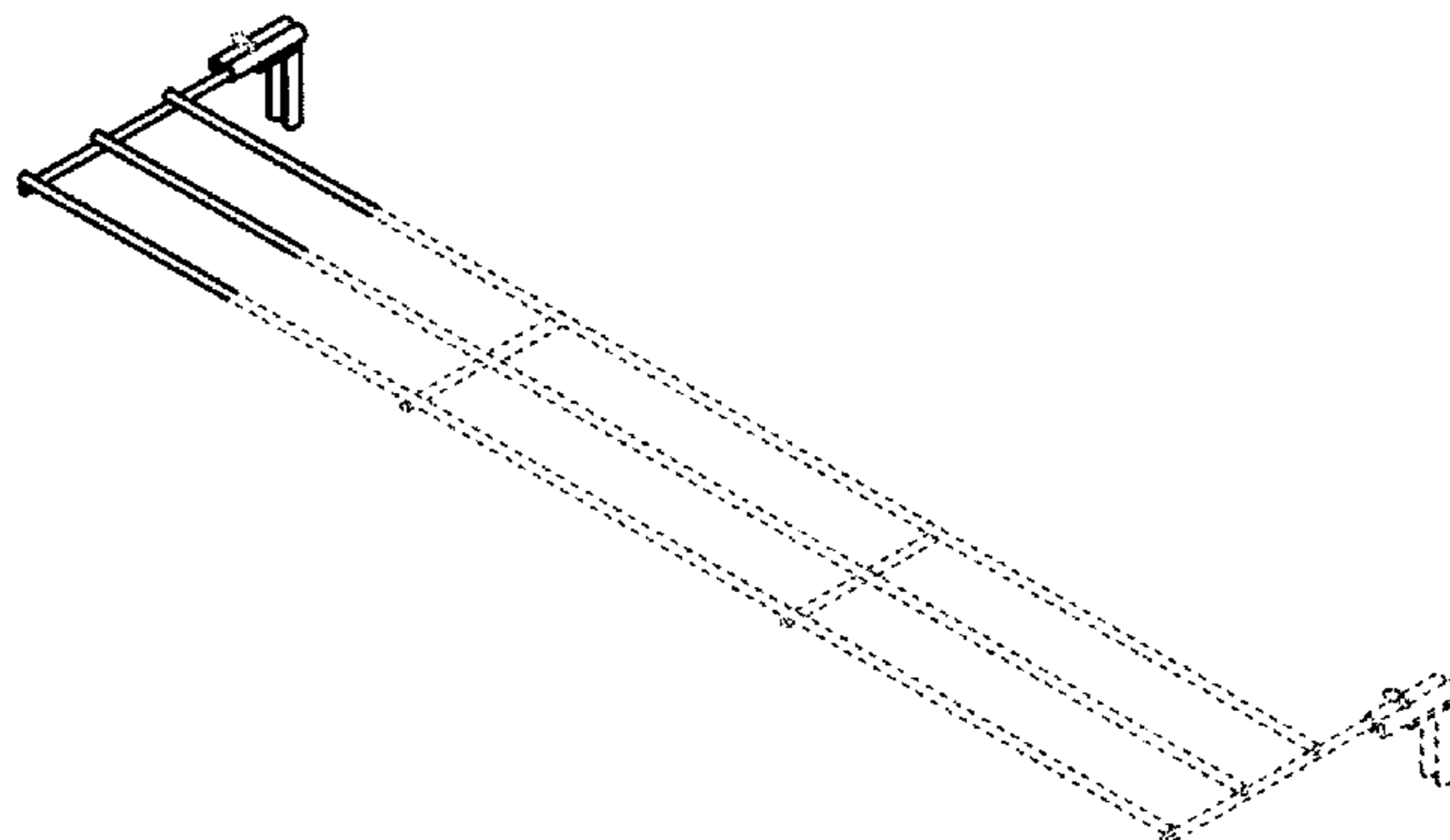
FIG. 13 is a front view thereof;

FIG. 14 is a back view thereof; and,

FIG. 15 is a left side view thereof.

The broken lines are for illustrative purposes only and form no part of the claimed design.

1 Claim, 6 Drawing Sheets



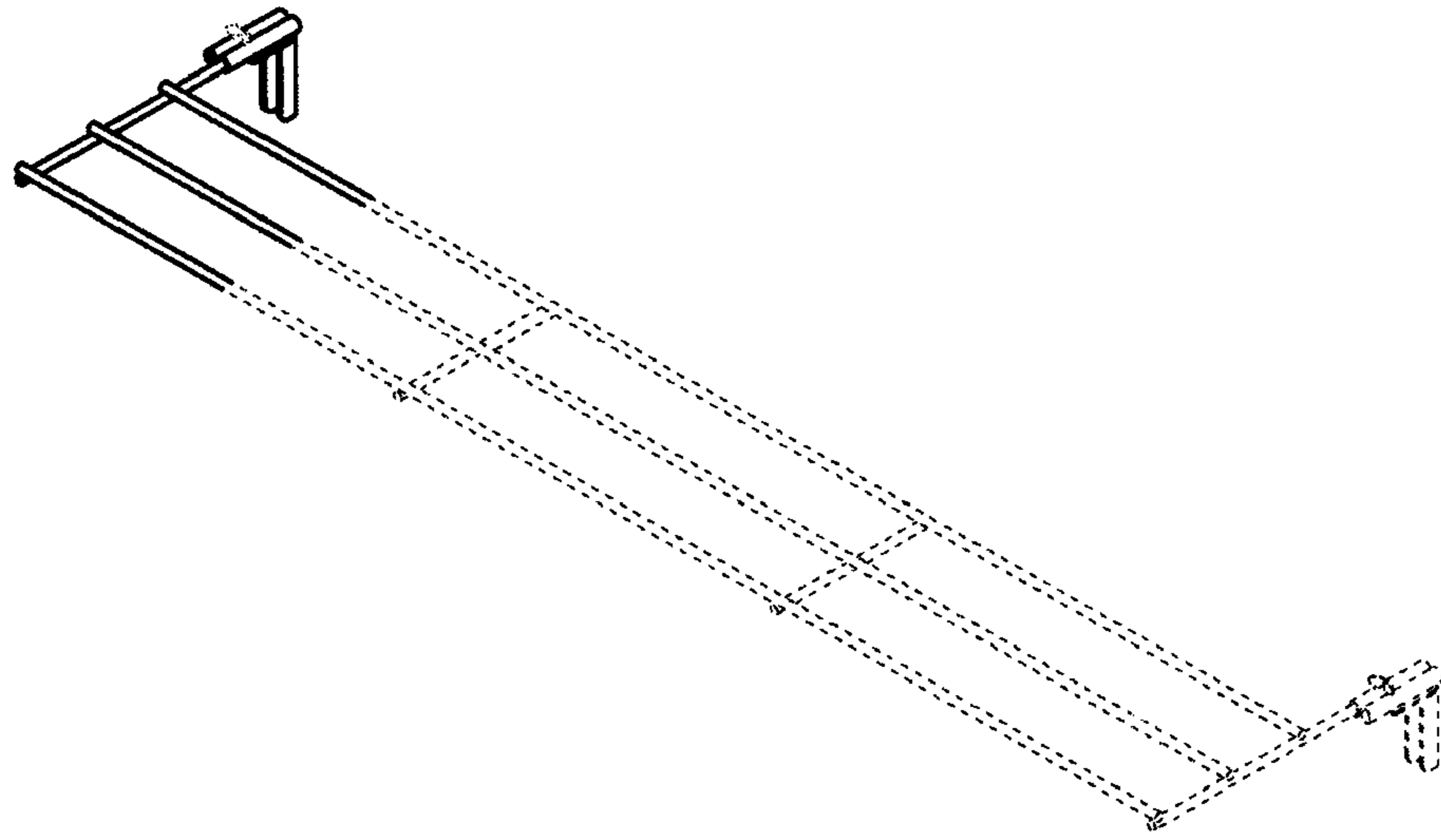


Fig. 1

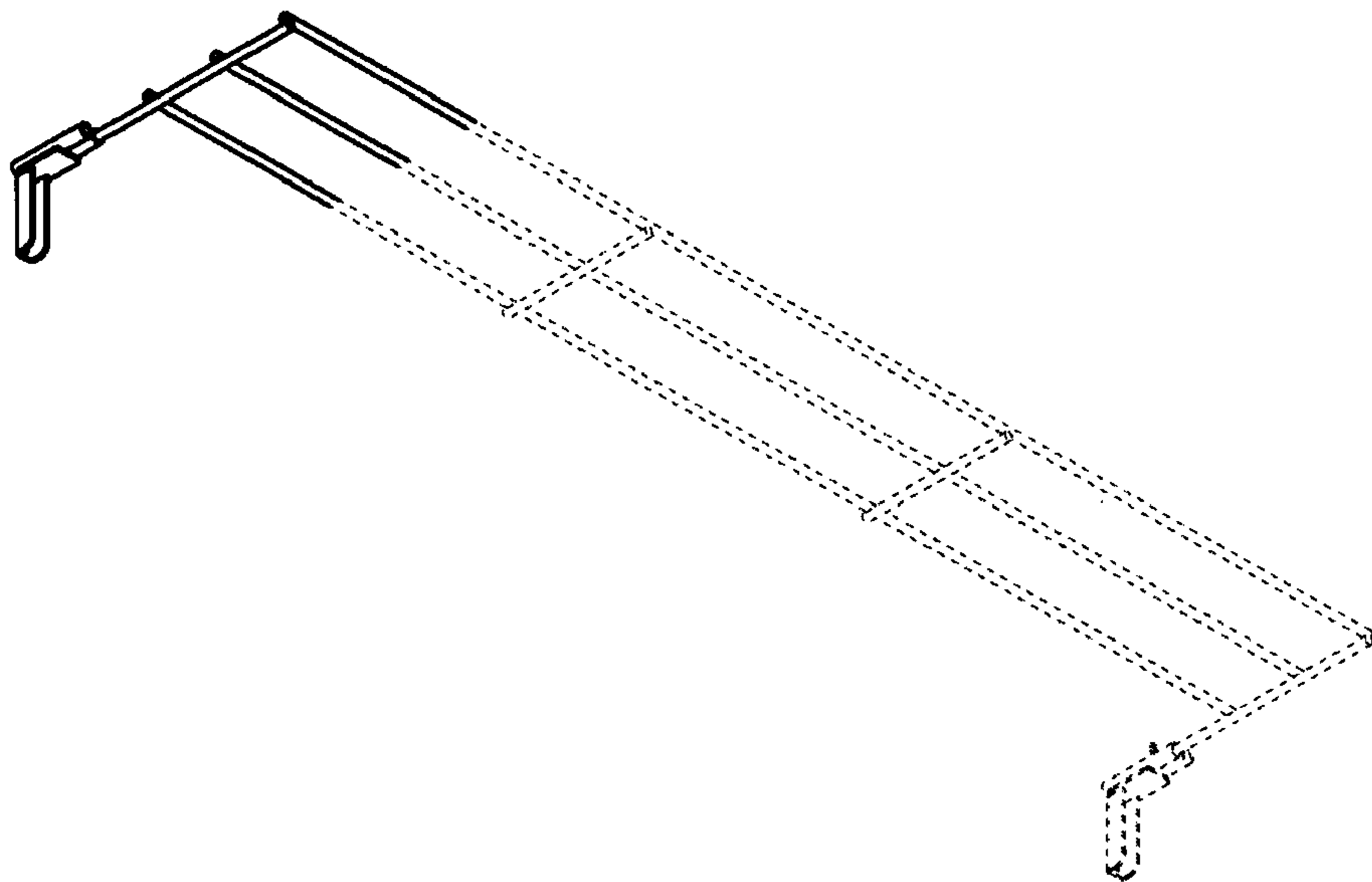


Fig. 2

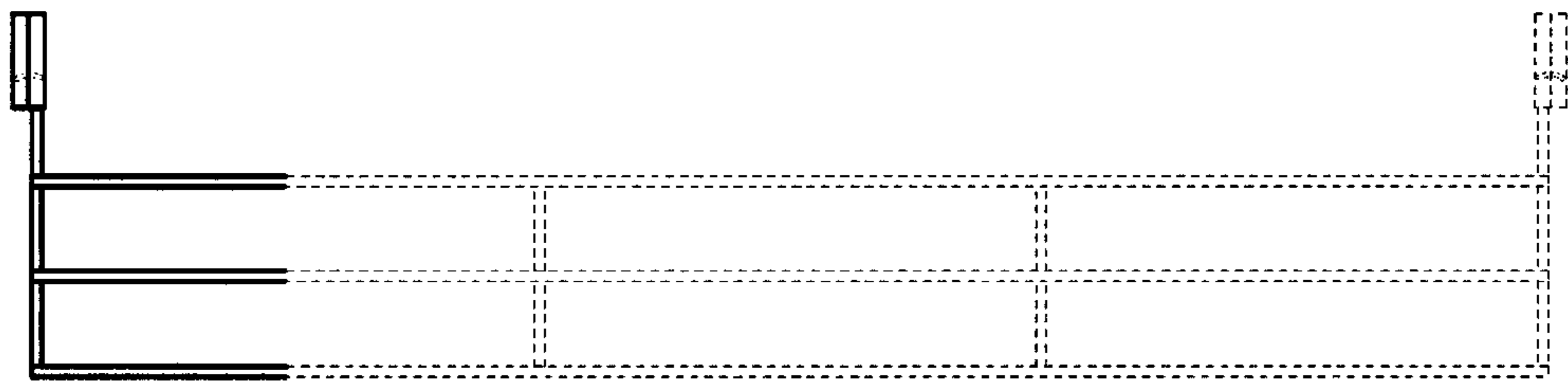


Fig. 3

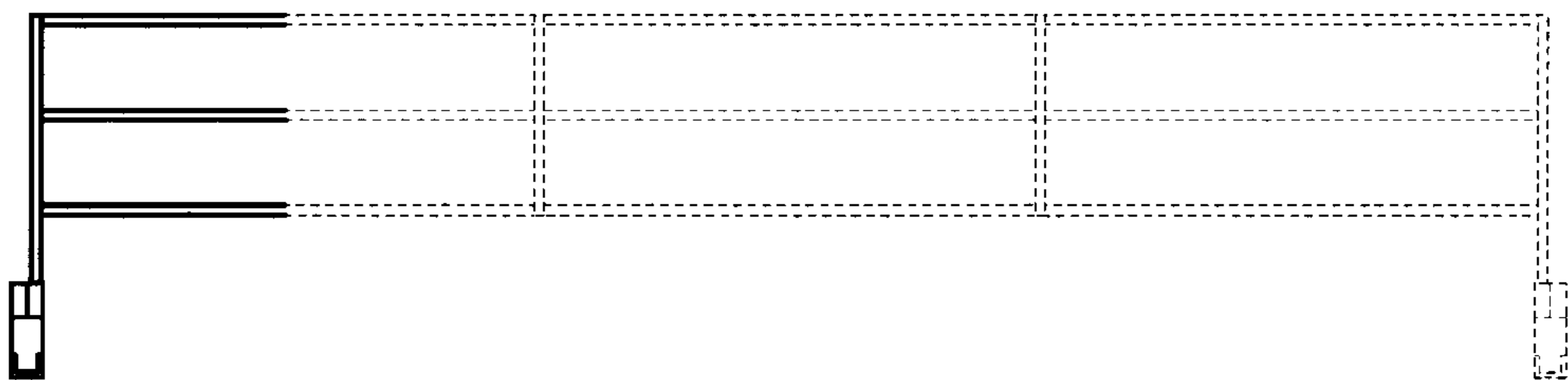


Fig. 4

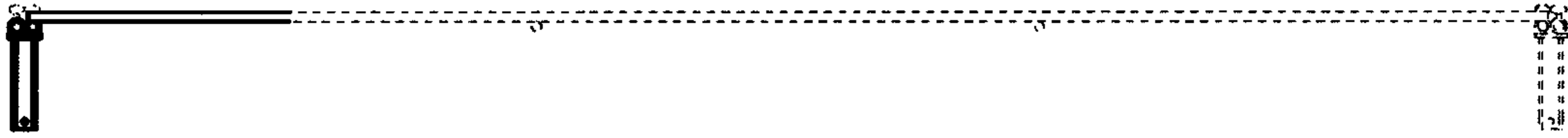


Fig. 5

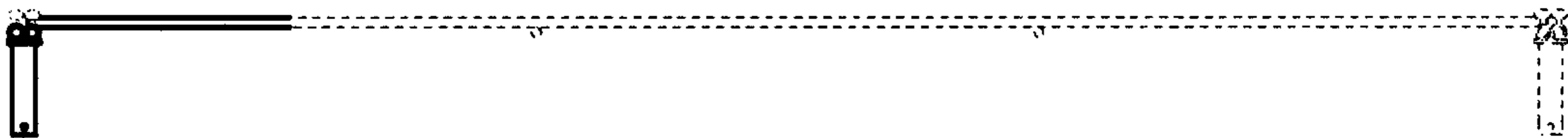


Fig. 6

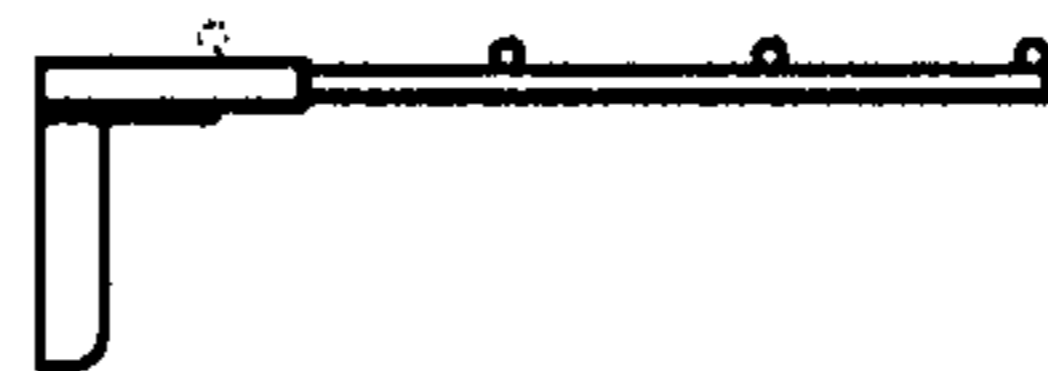


Fig. 7

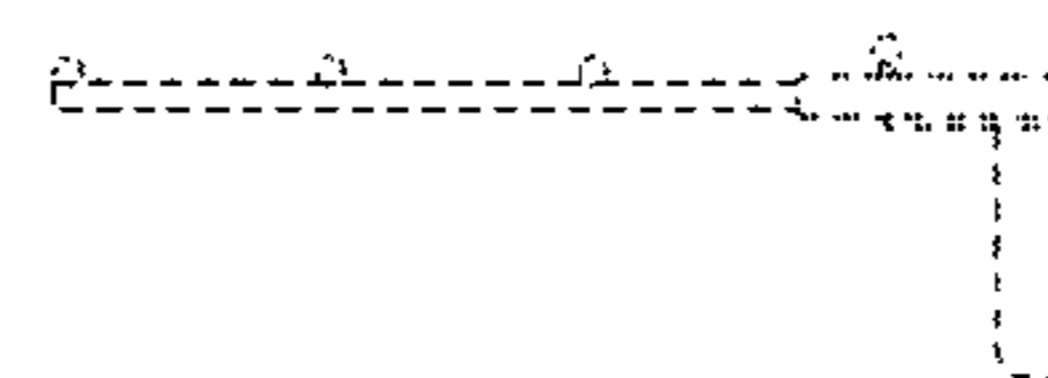


Fig. 8

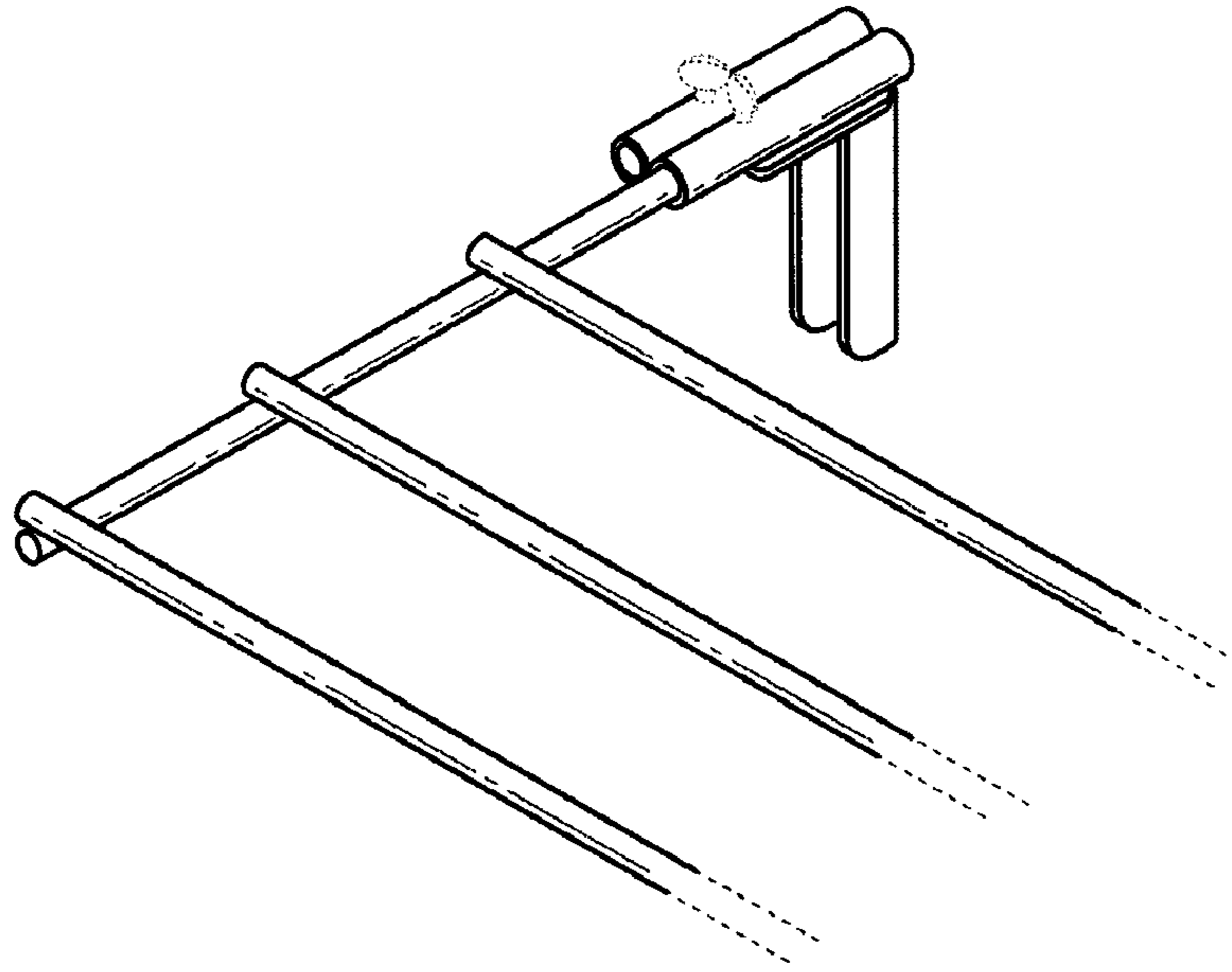


Fig. 9

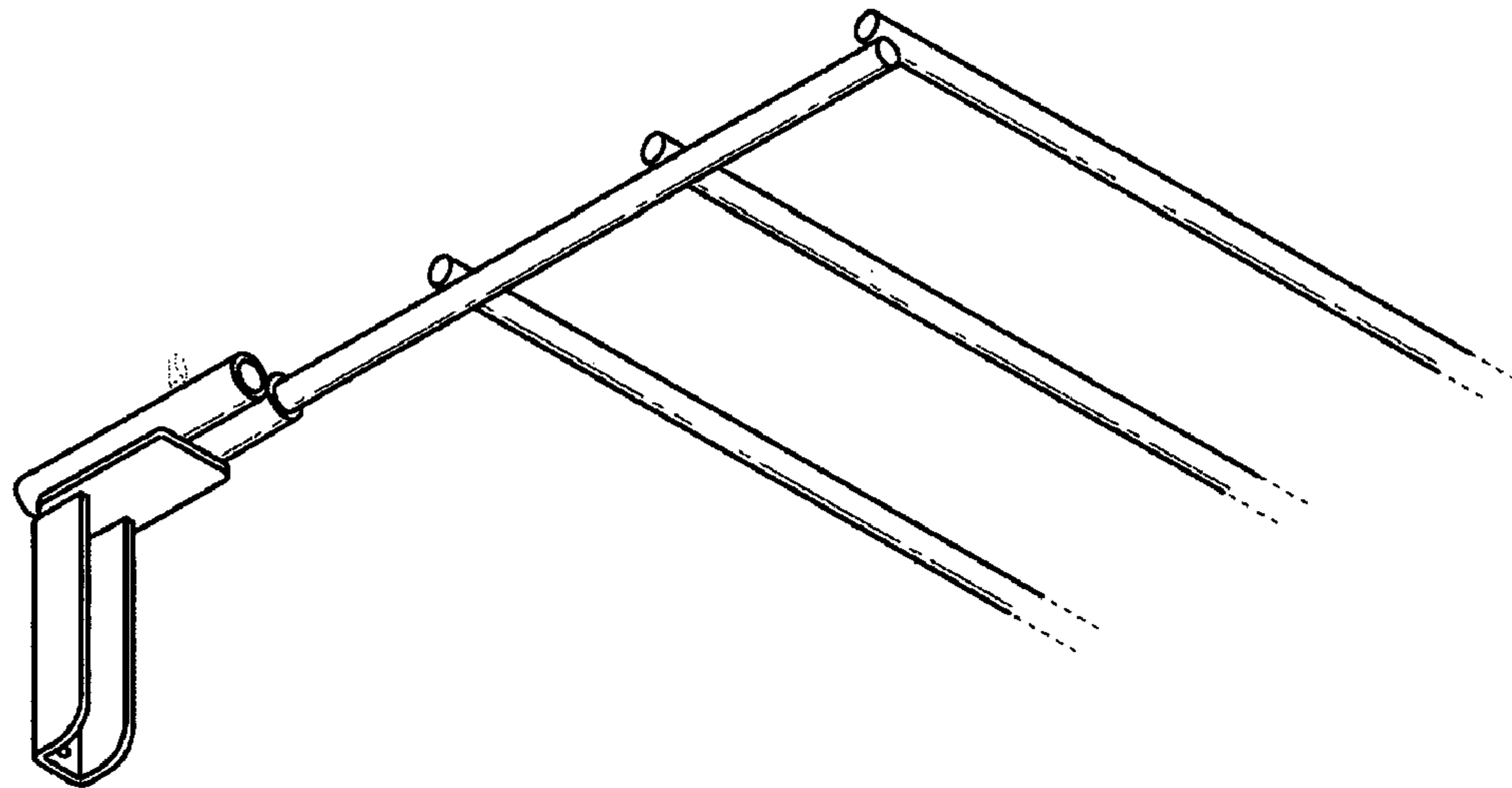


Fig. 10

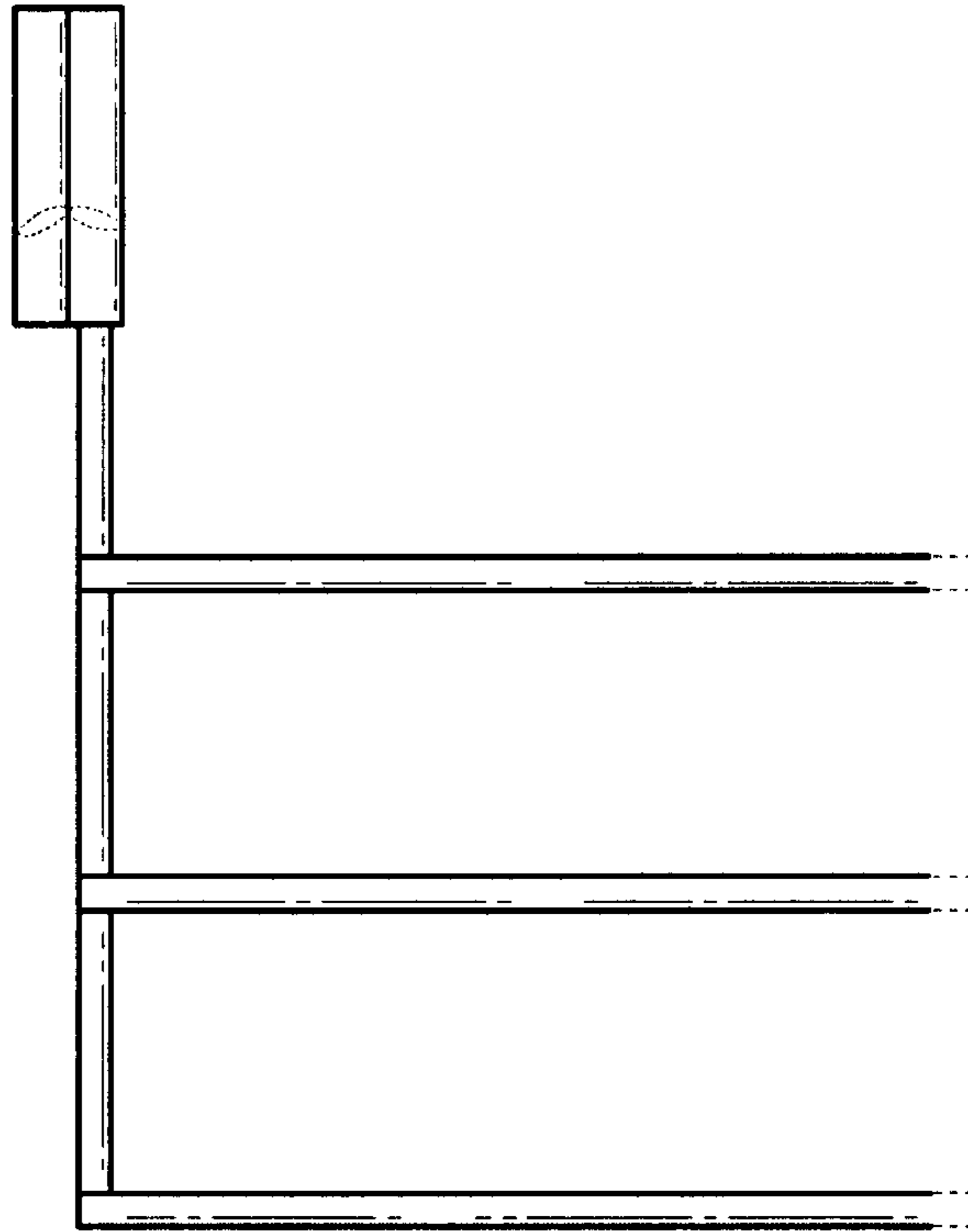


Fig. 11

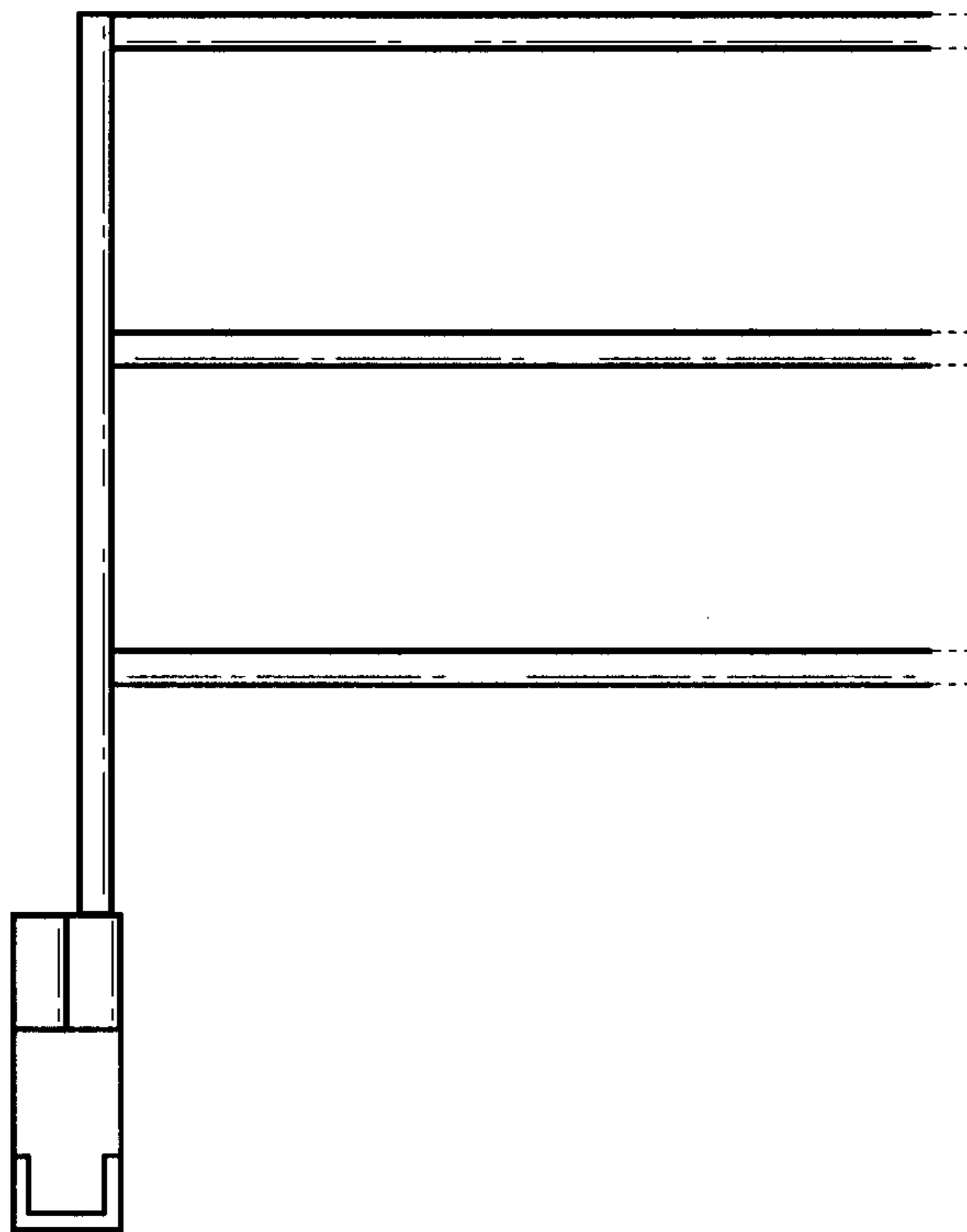


Fig. 12

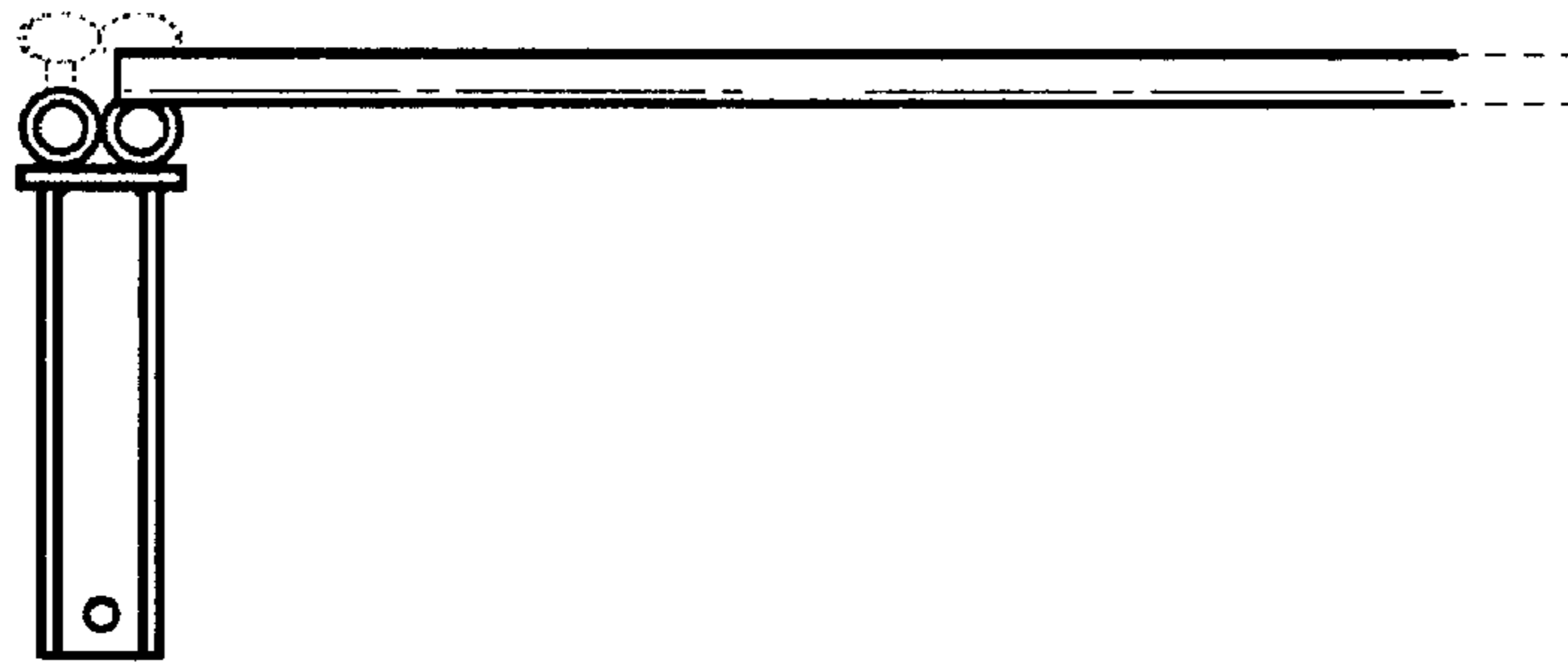


Fig. 13

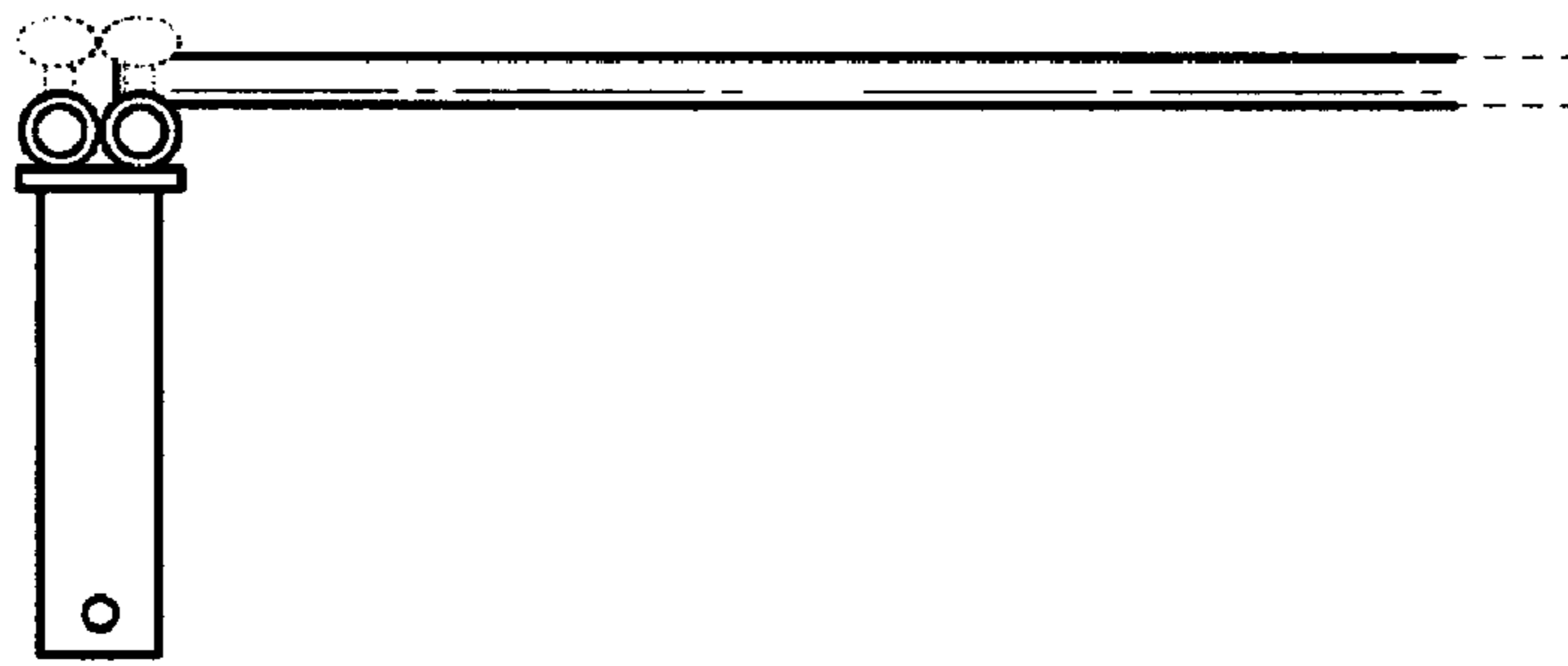


Fig. 14

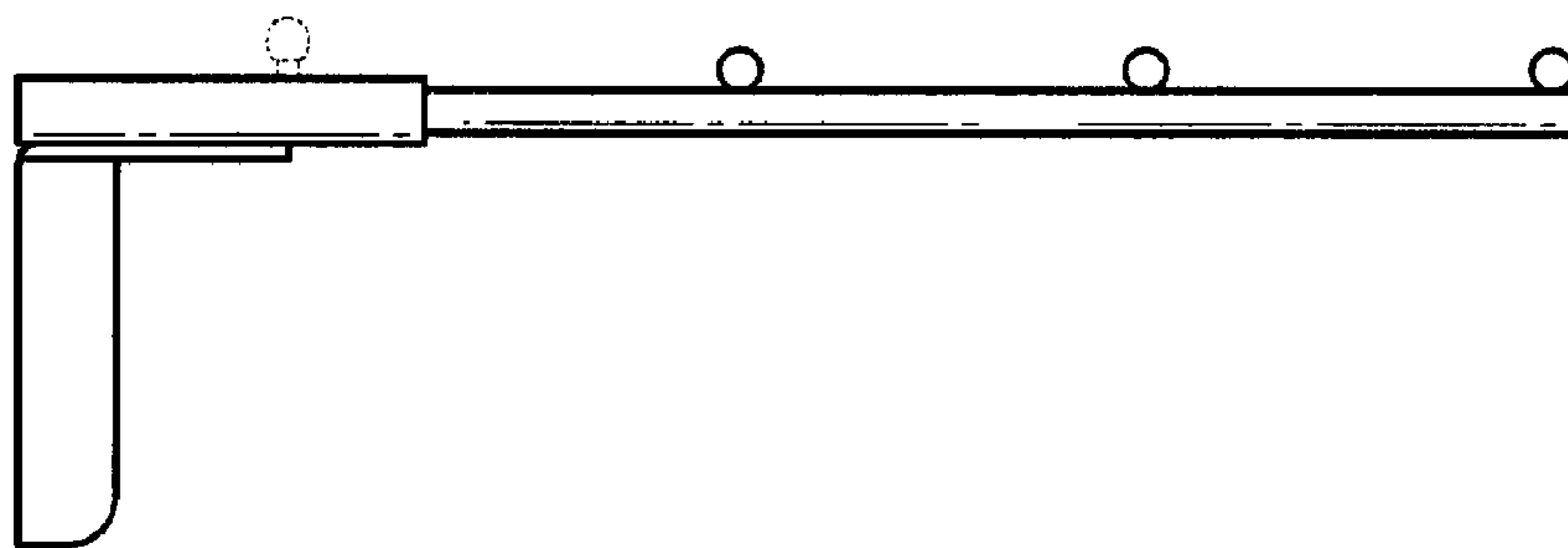


Fig. 15