



US00D599579S

(12) **United States Design Patent**
Hand

(10) **Patent No.:** **US D599,579 S**
(45) **Date of Patent:** **** *Sep. 8, 2009**

- (54) **TOOL CABINET** 5,443,311 A 8/1995 Kadlecek et al.
- (75) Inventor: **Jim Hand**, Glen Ellyn, IL (US) D361,910 S 9/1995 Maple et al.
- (73) Assignee: **Waterloo Industries, Inc.**, Oak Creek, WI (US) D370,342 S 6/1996 Gwyther
- (*) Notice: This patent is subject to a terminal disclaimer. D370,572 S 6/1996 Lin
- (**) Term: **14 Years** D372,378 S 8/1996 Kruger
- (21) Appl. No.: **29/271,467** 5,607,214 A 3/1997 Pierce et al.
- (22) Filed: **Jan. 19, 2007** D381,166 S 7/1997 Bonazza
- (51) **LOC (9) Cl.** **06-04** D385,722 S 11/1997 Yemini
- (52) **U.S. Cl.** **D6/455** D386,626 S 11/1997 Yemini
- (58) **Field of Classification Search** D3/260, D3/272-275, 276, 283, 294-297, 318, 321-322, D3/903, 905; D6/396-397, 432-448, 491, D6/509-510; D8/313; D32/25; D34/12; 206/349, 372-373, 376-379; 312/107, 117, 312/125, 204, 209, 224, 249.1, 249.8, 249.11, 312/249.12, 257.1, 280-282, 308, 332.1, 312/351, 902; 361/695

(Continued)

Primary Examiner—Joel Sincavage
Assistant Examiner—Ricky Pham
 (74) *Attorney, Agent, or Firm*—Calfee, Halter & Griswold LLP

- Related U.S. Application Data**
- (63) Continuation of application No. 29/270,016, filed on Dec. 13, 2006.
 - (51) **LOC (9) Cl.** **06-04**
 - (52) **U.S. Cl.** **D6/455**
 - (58) **Field of Classification Search** D3/260, D3/272-275, 276, 283, 294-297, 318, 321-322, D3/903, 905; D6/396-397, 432-448, 491, D6/509-510; D8/313; D32/25; D34/12; 206/349, 372-373, 376-379; 312/107, 117, 312/125, 204, 209, 224, 249.1, 249.8, 249.11, 312/249.12, 257.1, 280-282, 308, 332.1, 312/351, 902; 361/695
- See application file for complete search history.

- (56) **References Cited**
- U.S. PATENT DOCUMENTS
- D182,558 S * 4/1958 Willman D8/313
 - D205,522 S 8/1966 Doman
 - D218,080 S 7/1970 Sierzega
 - 4,120,549 A 10/1978 Bureau
 - D283,769 S * 5/1986 Cohn D6/446
 - 4,811,999 A * 3/1989 Remington et al. 312/249.8
 - D327,967 S 7/1992 Hikawa
 - D341,253 S 11/1993 Ballman et al.
 - 5,332,305 A 7/1994 Slivon et al.

(57) **CLAIM**

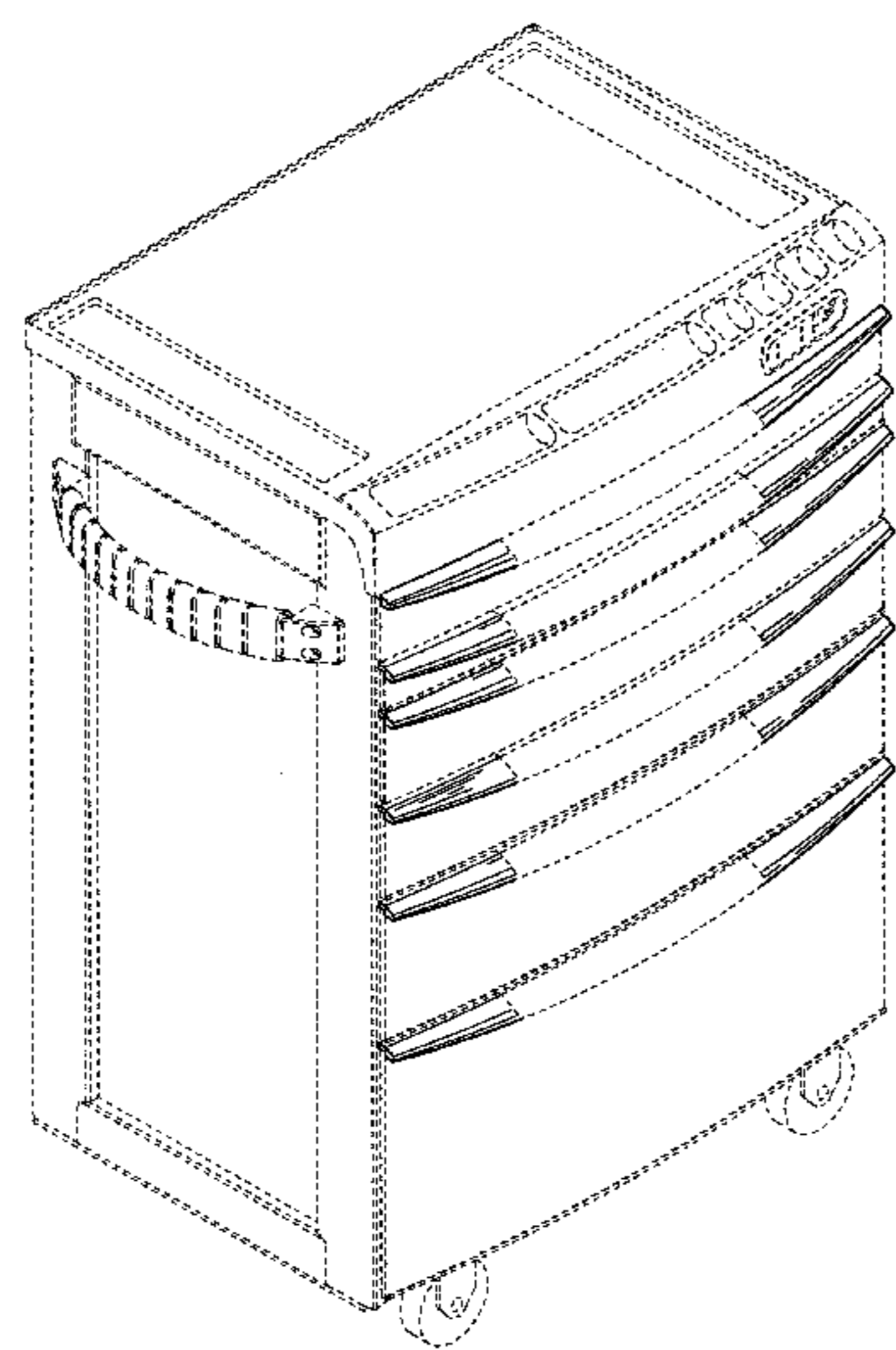
I claim the ornamental design for a tool cabinet, as shown and described.

DESCRIPTION

FIG. 1 is a perspective view of a tool cabinet of the new design;
 FIG. 2 is a front elevation view of the tool cabinet of FIG. 1;
 FIG. 3 is a rear view of the tool cabinet of FIG. 1;
 FIG. 4 is a left side view of the tool cabinet of FIG. 1;
 FIG. 5 is a right side view of the tool cabinet of FIG. 1;
 FIG. 6 is a top view of the tool cabinet of FIG. 1; and,
 FIG. 7 is a bottom view of the tool cabinet of FIG. 1.

The phantom lines at the rear and inside edges of the claimed subject matter indicate boundary of claimed design. All other phantom lines are shown in the drawings for illustrative purposes only and form no part of the claimed design.

1 Claim, 6 Drawing Sheets



US D599,579 S

Page 2

U.S. PATENT DOCUMENTS

D427,807 S	7/2000	Holcomb et al.	
6,109,709 A	8/2000	Holcomb et al.	
D430,426 S	9/2000	Bieker et al.	
D431,934 S *	10/2000	Chininis	D6/446
6,176,559 B1	1/2001	Tiramani et al.	
D448,168 S	9/2001	Johnston	
D449,181 S	10/2001	Story et al.	
D453,074 S	1/2002	Johnston	
6,347,847 B1	2/2002	Tiramani et al.	
D455,902 S	4/2002	Wolf	
D457,704 S	5/2002	Fiscus et al.	
D461,067 S *	8/2002	Frank et al.	D6/446
D470,687 S	2/2003	Binse et al.	
D504,260 S *	4/2005	Arceta	D6/510
D505,237 S	5/2005	Schmidt et al.	
D506,090 S	6/2005	Ben-Or	
D514,854 S	2/2006	Schmidt et al.	
D517,805 S	3/2006	Hosking	
D520,264 S *	5/2006	Mehmen et al.	D6/441
D520,784 S	5/2006	Schmidt et al.	
7,048,347 B1 *	5/2006	Liu	312/332.1
D526,782 S	8/2006	Hosking	
D536,202 S *	2/2007	Mehmen et al.	D6/509
D538,997 S *	3/2007	Schlembach	D34/12
D547,160 S	7/2007	Hand et al.	
D549,408 S *	8/2007	Lee	D32/25
D554,370 S *	11/2007	Hand	D3/297
D554,864 S *	11/2007	Hand	D3/297
D560,079 S *	1/2008	Mehmen	D6/441
D563,103 S *	3/2008	Hand	D3/297
D563,119 S *	3/2008	Malley et al.	D6/445
D563,120 S *	3/2008	Malley et al.	D6/445
D566,396 S *	4/2008	Hand	D3/297
D568,078 S *	5/2008	Kohagen et al.	D6/510
D568,608 S *	5/2008	Hand	D3/297
D573,792 S *	7/2008	Hand	D3/297
2002/0030425 A1	3/2002	Tiramani et al.	
2002/0074905 A1	6/2002	Tiramani et al.	
2006/0103278 A1 *	5/2006	Bousquet	312/332.1
2007/0063624 A1 *	3/2007	Liao	312/282
2007/0228903 A1 *	10/2007	Liu	312/280
2007/0274042 A1 *	11/2007	Jackson et al.	361/695

* cited by examiner

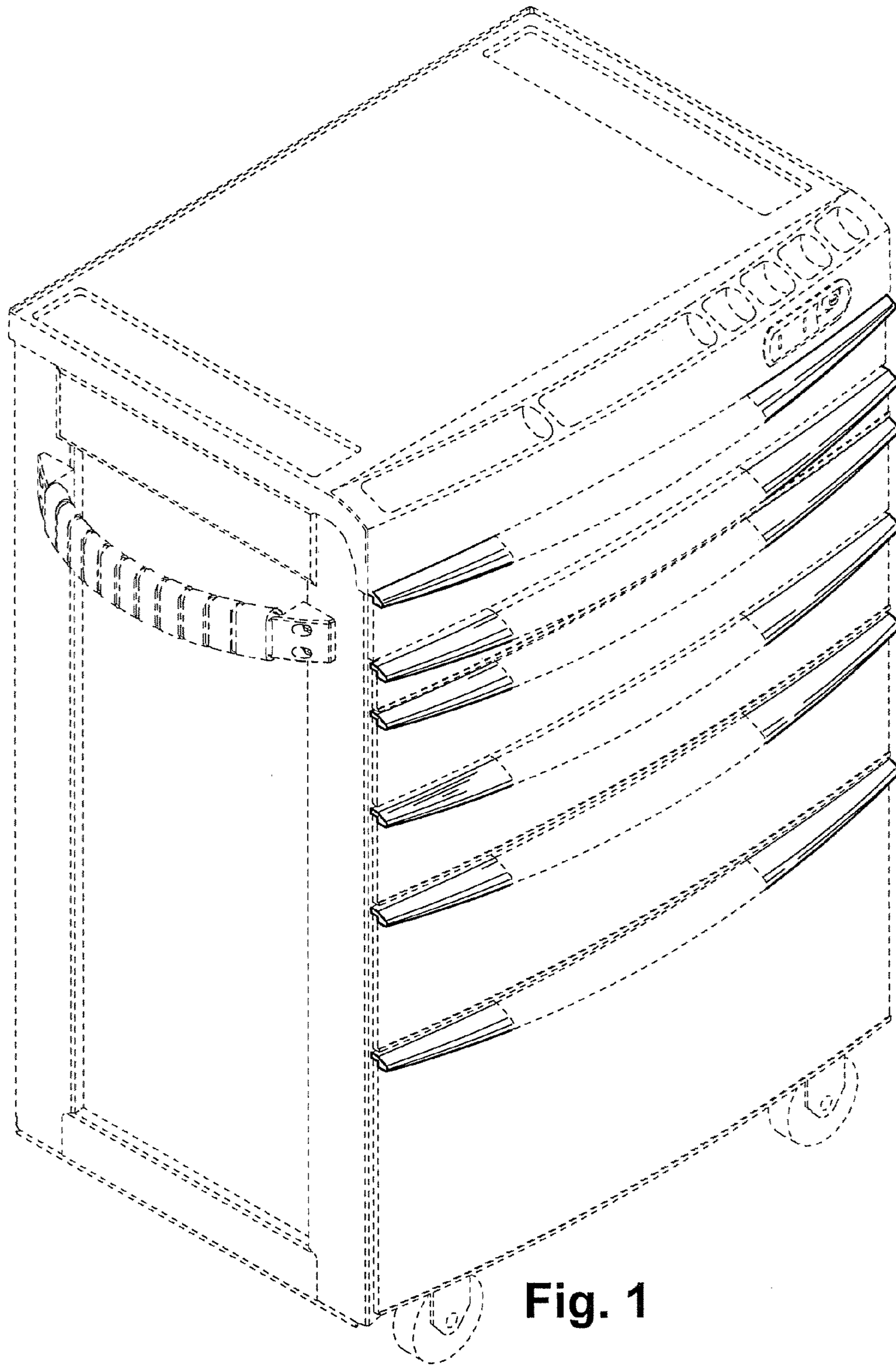


Fig. 1

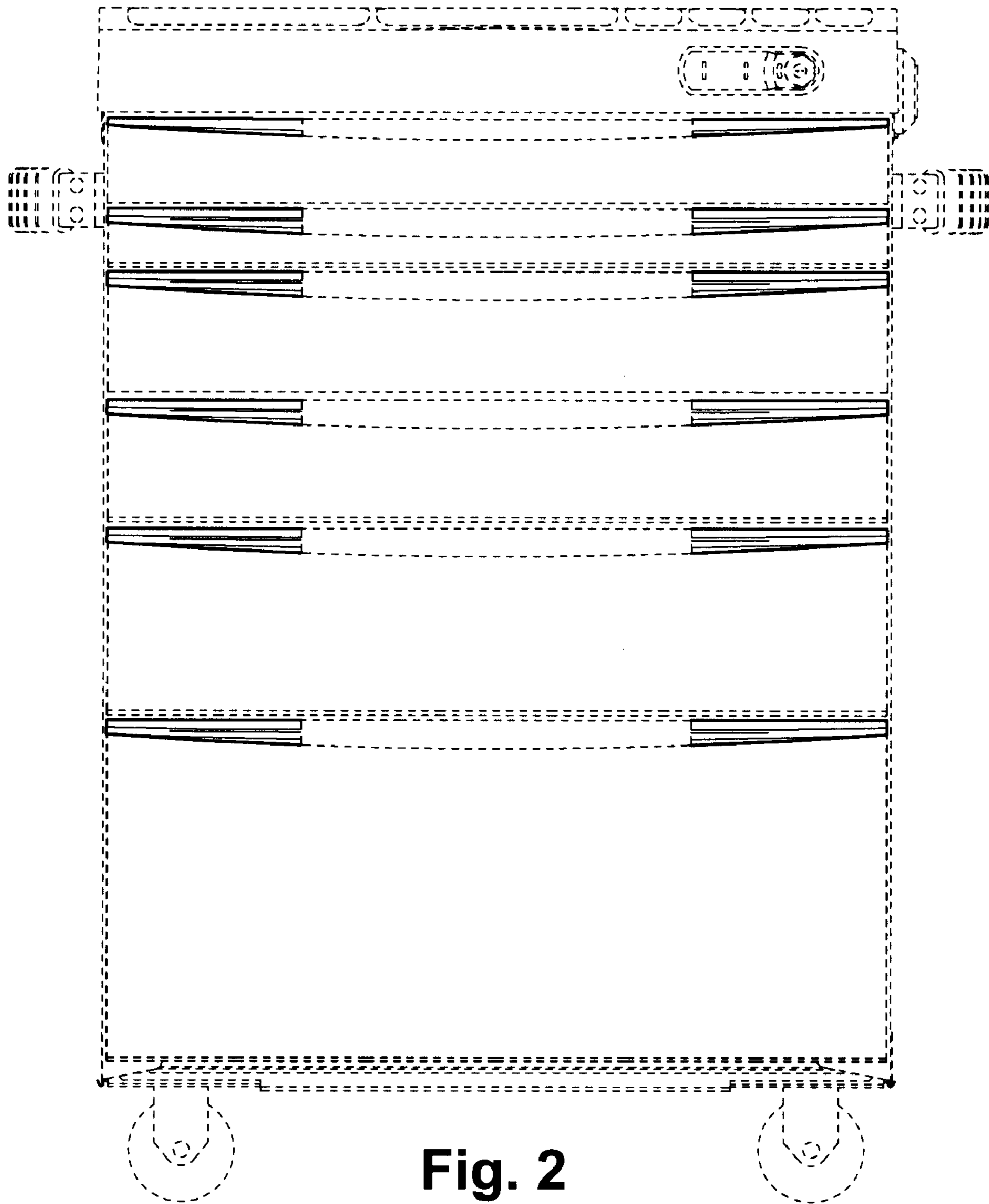
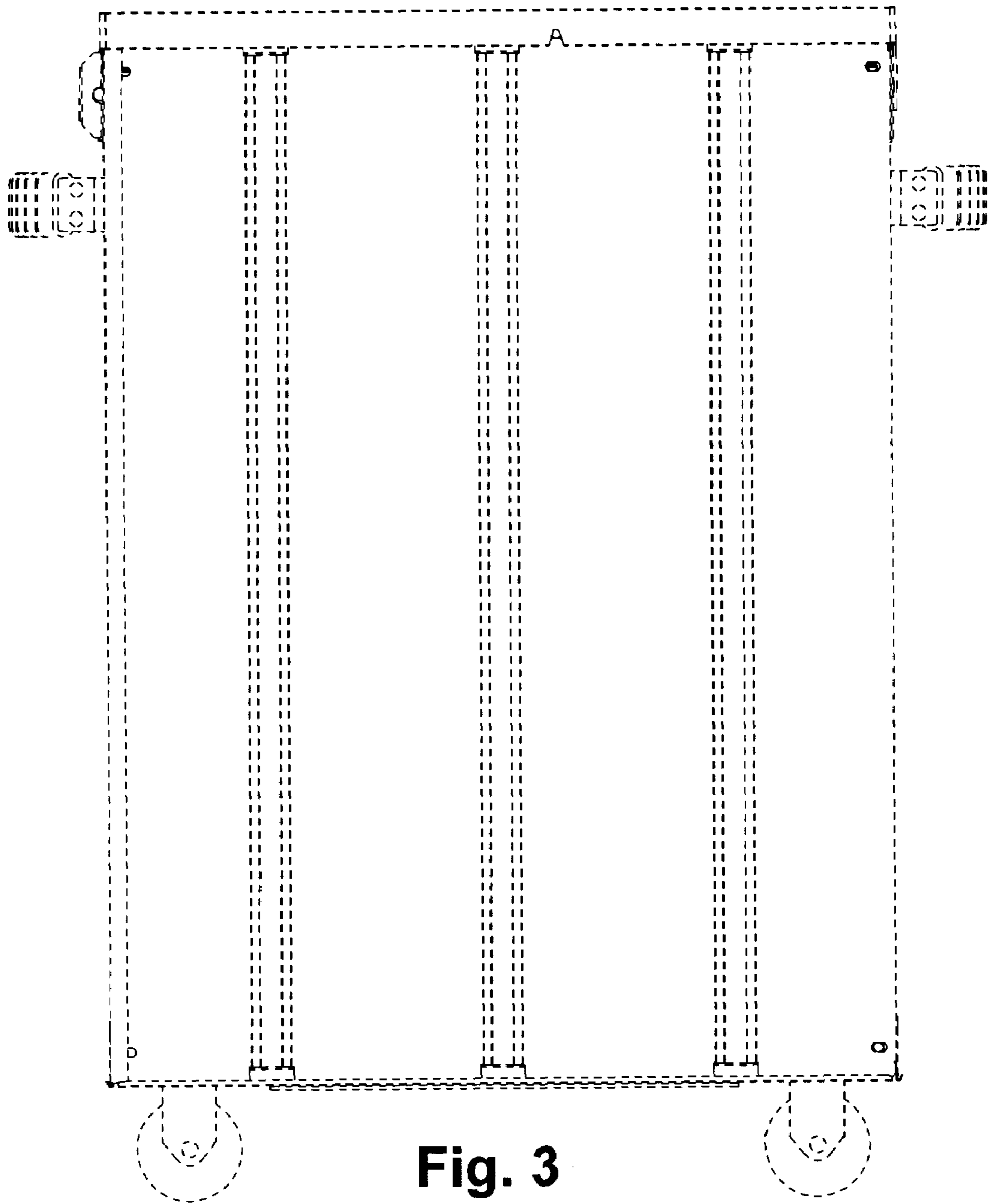


Fig. 2



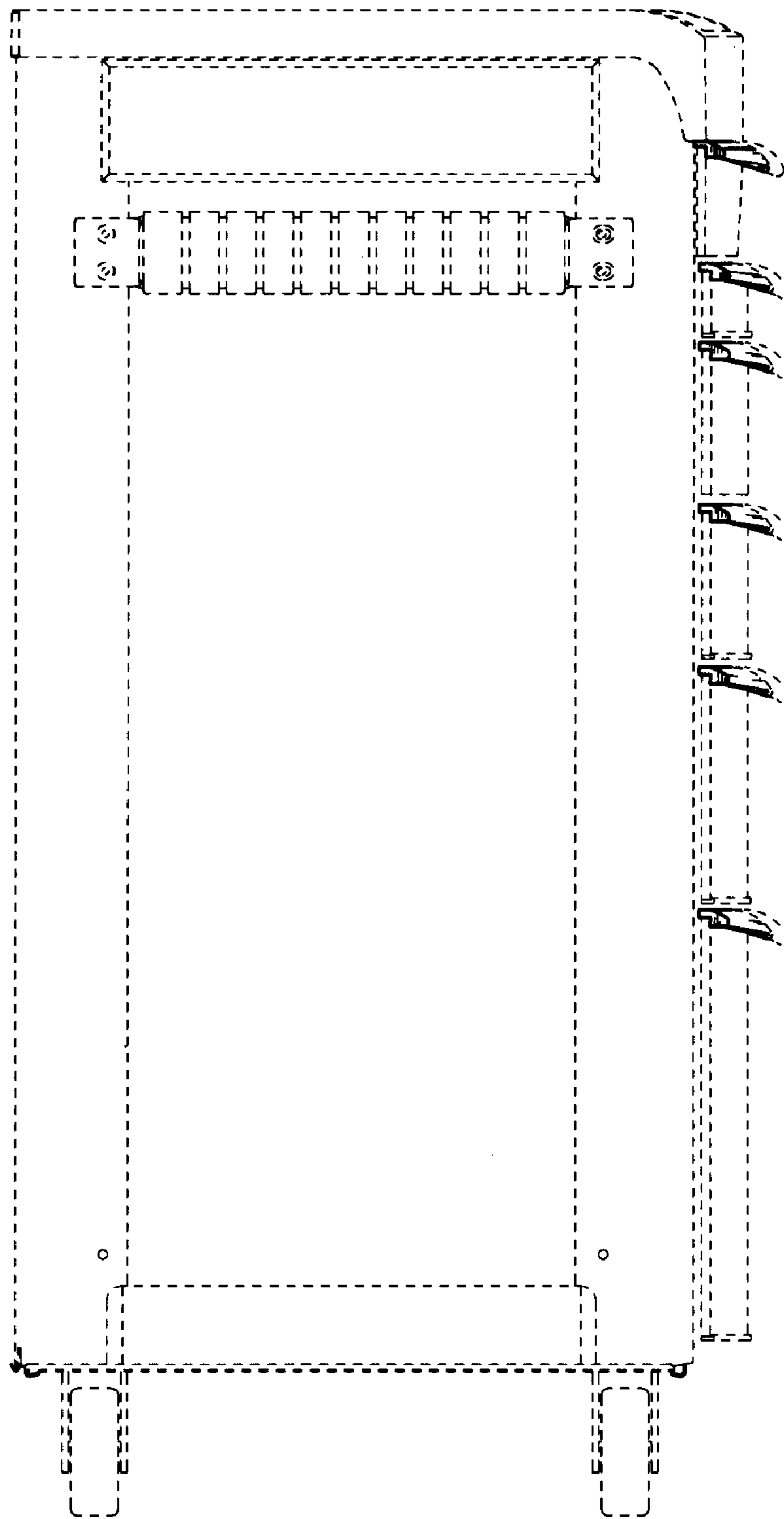


Fig. 4

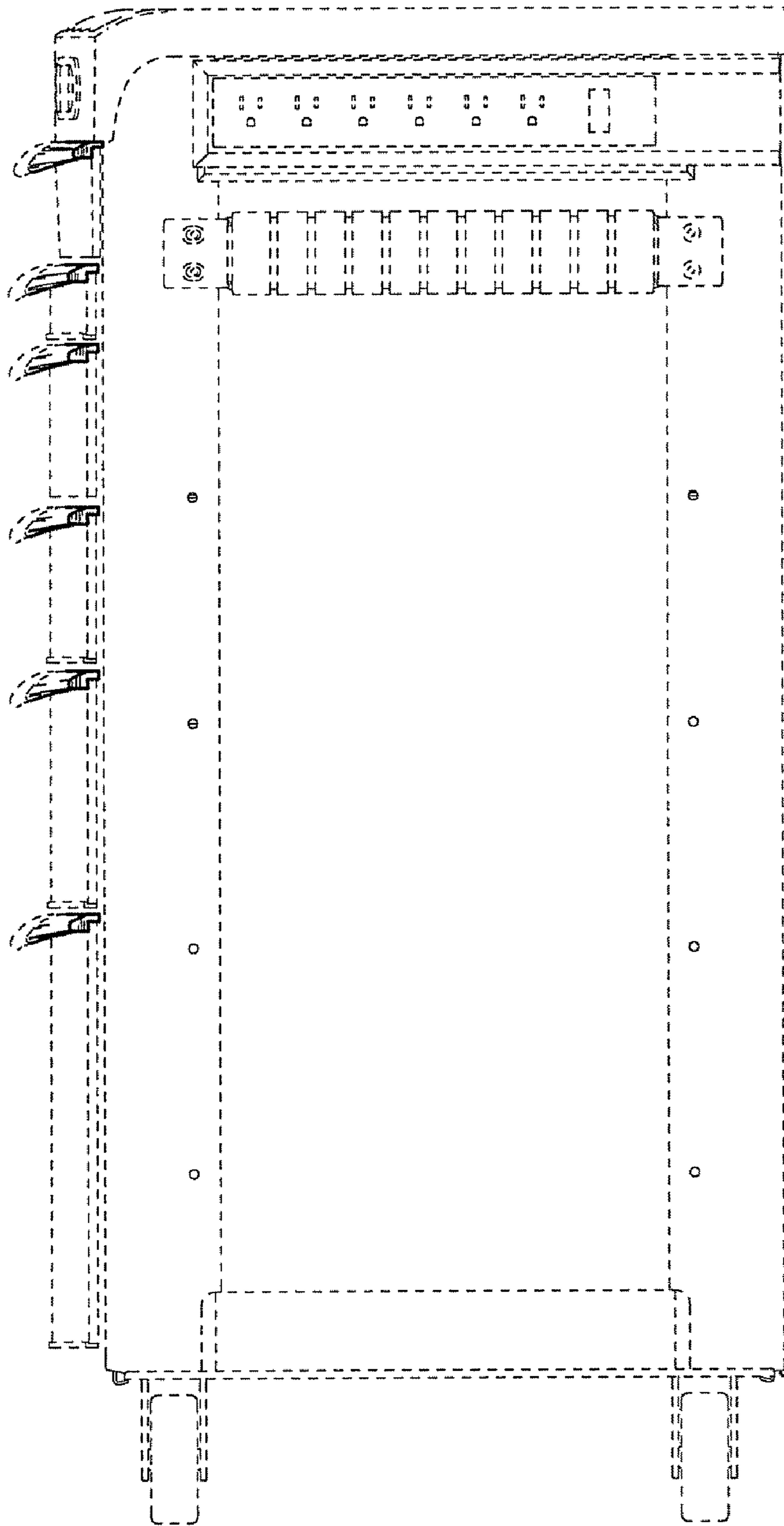


Fig. 5

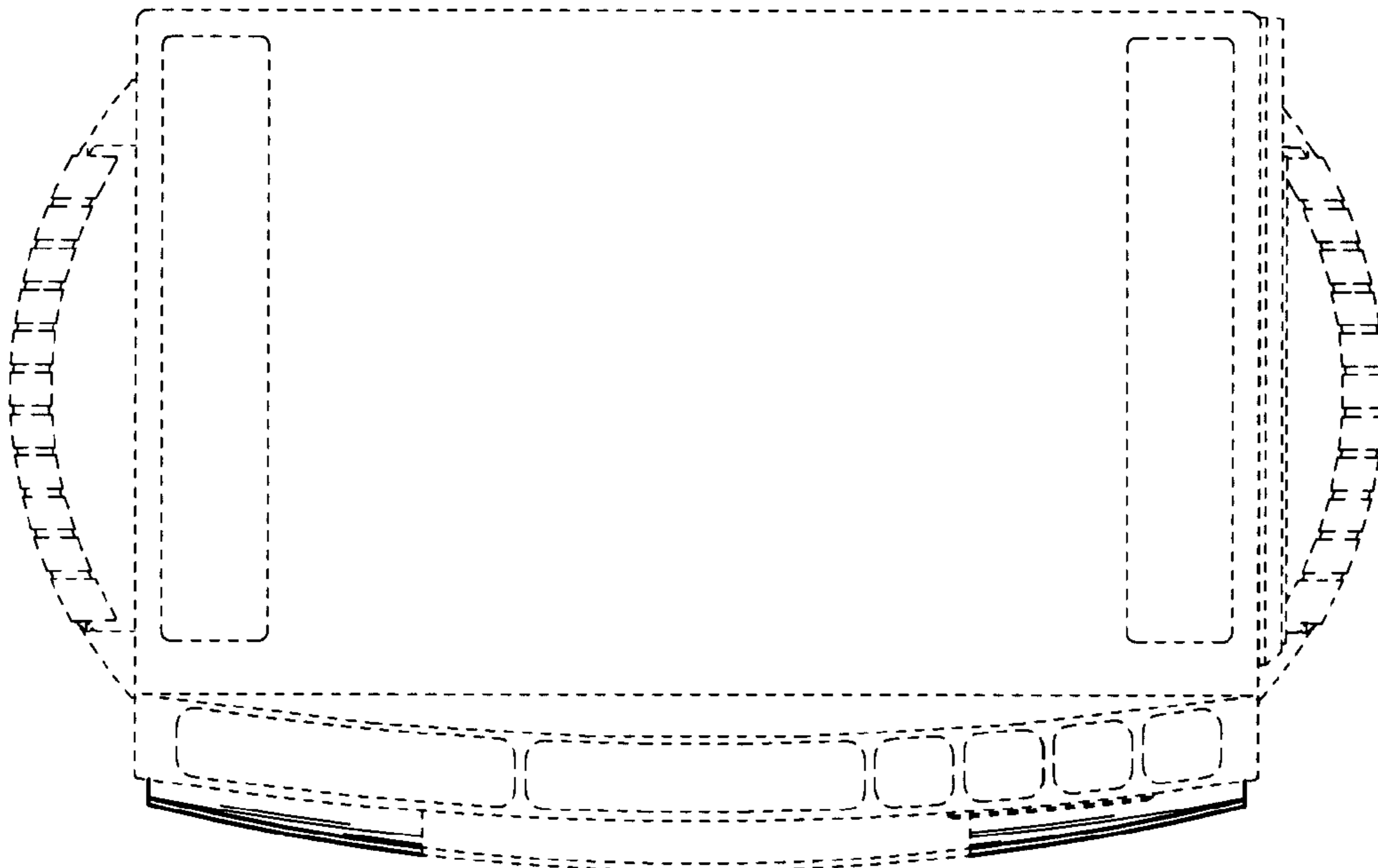


Fig. 6

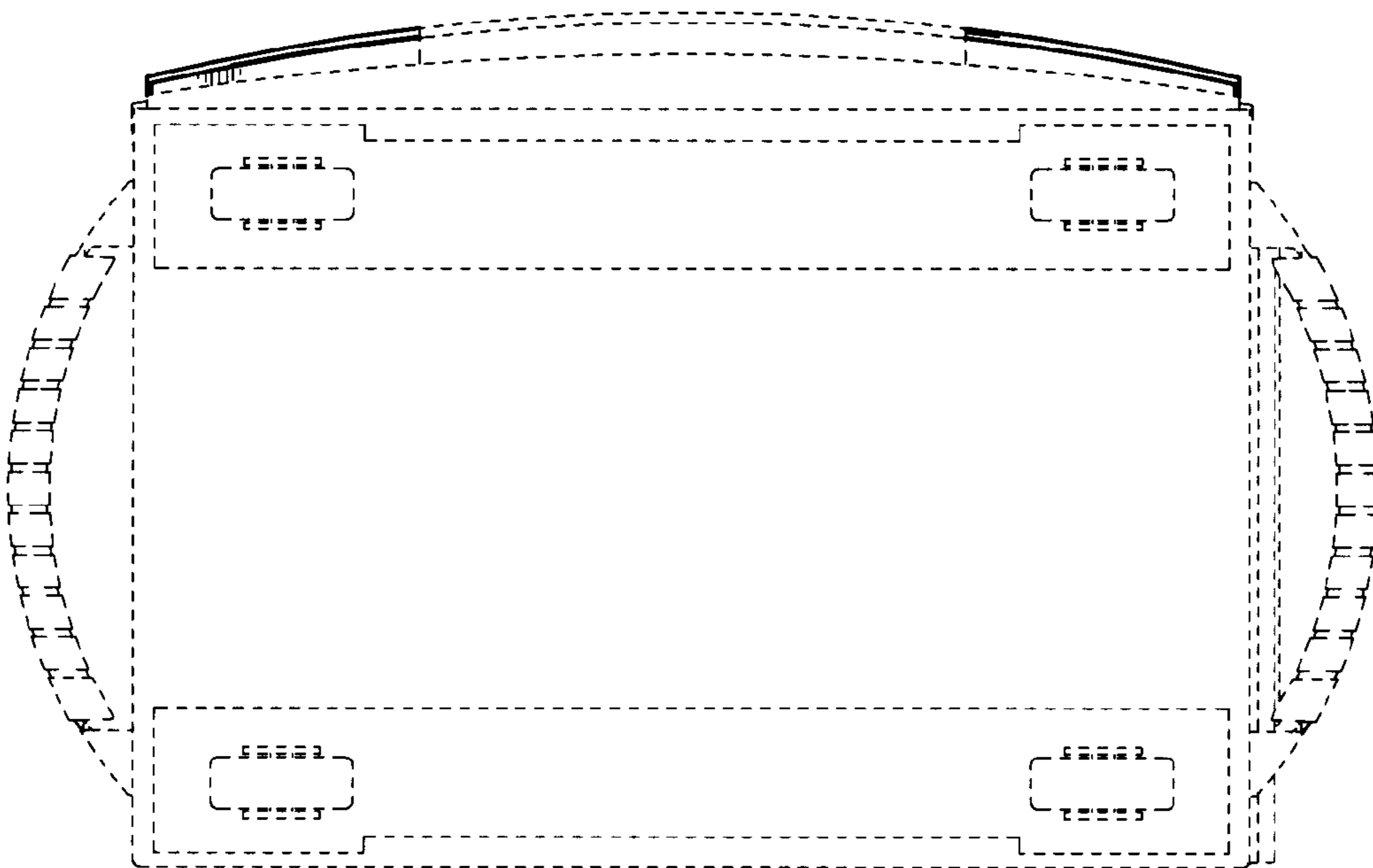


Fig. 7