



US00D599575S

(12) **United States Design Patent**
Balsley

(10) **Patent No.:** **US D599,575 S**
(45) **Date of Patent:** **** *Sep. 8, 2009**

(54) **BENCH**

(75) Inventor: **Thomas Balsley**, New York, NY (US)

(73) Assignee: **Landscape Forms, Inc.**, Kalamazoo, MI (US)

(*) Notice: This patent is subject to a terminal disclaimer.

(**) Term: **14 Years**

(21) Appl. No.: **29/323,450**

(22) Filed: **Aug. 26, 2008**

Related U.S. Application Data

(63) Continuation of application No. 29/304,205, filed on Feb. 27, 2008, now Pat. No. Des. 577,927.

(51) **LOC (9) Cl.** **06-01**

(52) **U.S. Cl.** **D6/381**

(58) **Field of Classification Search** D6/334-338, D6/349, 355, 361, 368-370, 376, 379-381, D6/492, 500-502; 297/16.1, 42, 94, 135, 297/175, 232, 233, 350, 351, 445.1, 448.1, 297/448.2, 451.9; 5/12.1, 12.2

See application file for complete search history.

(56) **References Cited**

U.S. PATENT DOCUMENTS

D193,508 S * 9/1962 Nakamura D6/375
D235,495 S * 6/1975 Layton D6/374
D235,712 S * 7/1975 Layton D6/374
D329,544 S * 9/1992 Snodgrass D6/361

D329,546 S * 9/1992 Snodgrass D6/374
D341,728 S * 11/1993 Grosfillex D6/379
D345,869 S * 4/1994 Grosfillex D6/381
D468,124 S * 1/2003 Stewart D6/381
D470,678 S * 2/2003 Stewart D6/381
D492,139 S * 6/2004 McDiarmid D6/479
D496,801 S 10/2004 Vanderminden, Sr.
D510,199 S 10/2005 Messier
D532,983 S 12/2006 McCurry
D550,979 S * 9/2007 Clark D6/381

OTHER PUBLICATIONS

“Vacante Collection”, Forms + Surfaces 1998, Carpinteria, CA 93013, pp. 1-4.

* cited by examiner

Primary Examiner—Sandra Snapp

(74) *Attorney, Agent, or Firm*—Heslin Rothenberg Farley & Mesiti P.C.

(57) **CLAIM**

The ornamental design for the bench, as shown and described.

DESCRIPTION

FIG. 1 is a perspective view of the bench of the present invention;

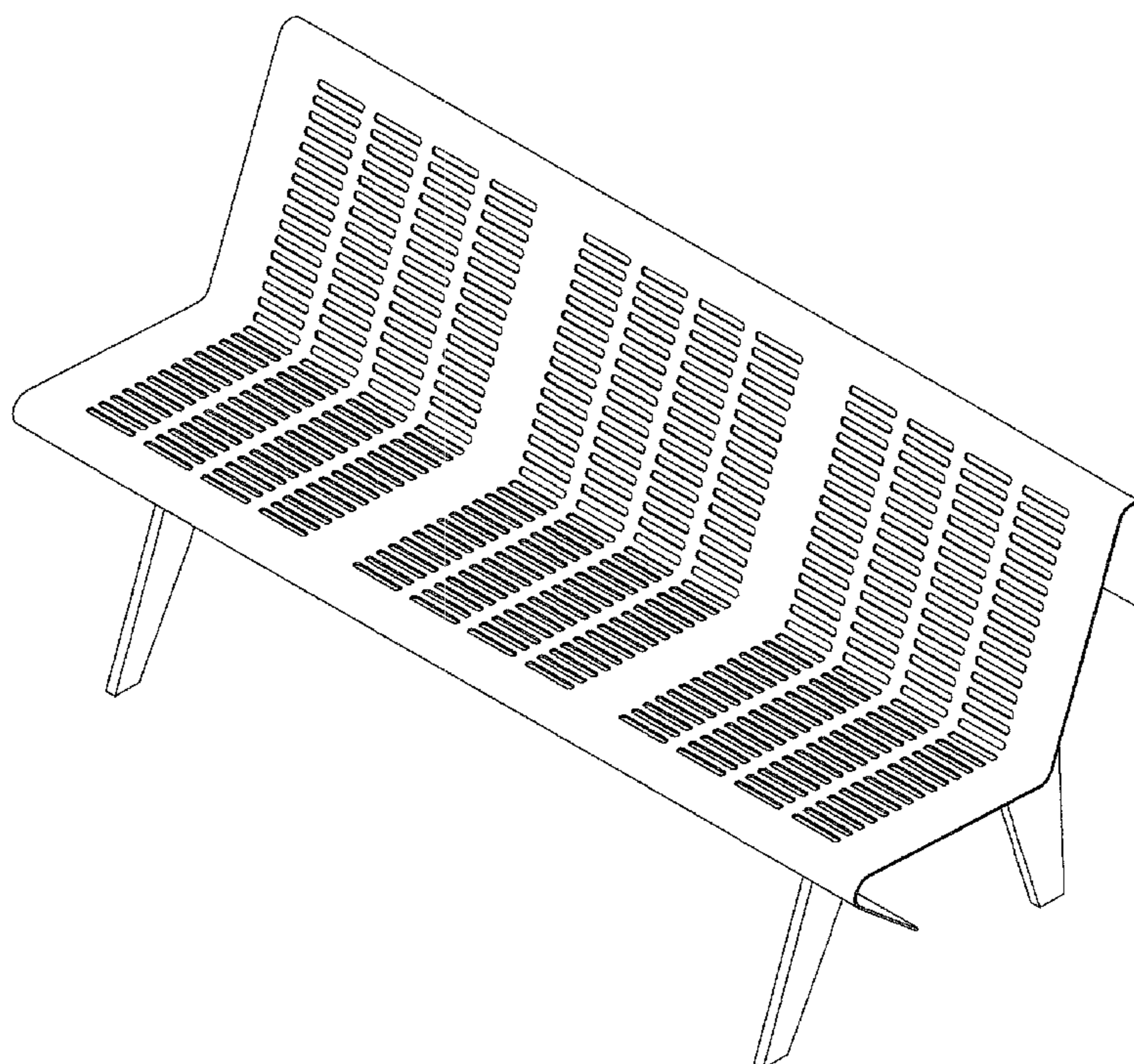
FIG. 2 is a front elevation view thereof;

FIG. 3 is a right side elevation view thereof, the left side elevation view being a mirror image thereof;

FIG. 4 is a top plan view thereof; and,

FIG. 5 is a rear elevation view thereof.

1 Claim, 5 Drawing Sheets



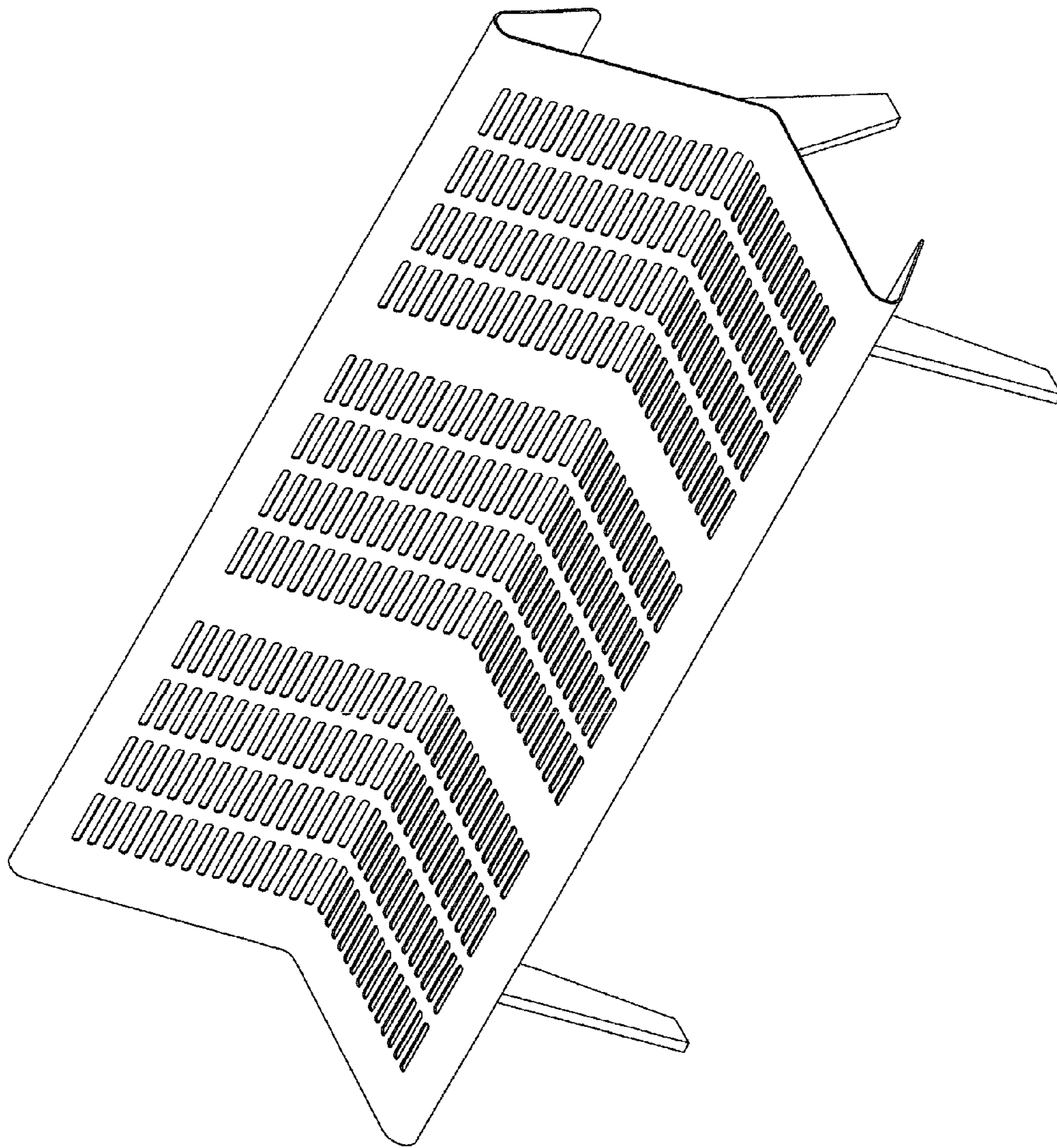


FIGURE 1

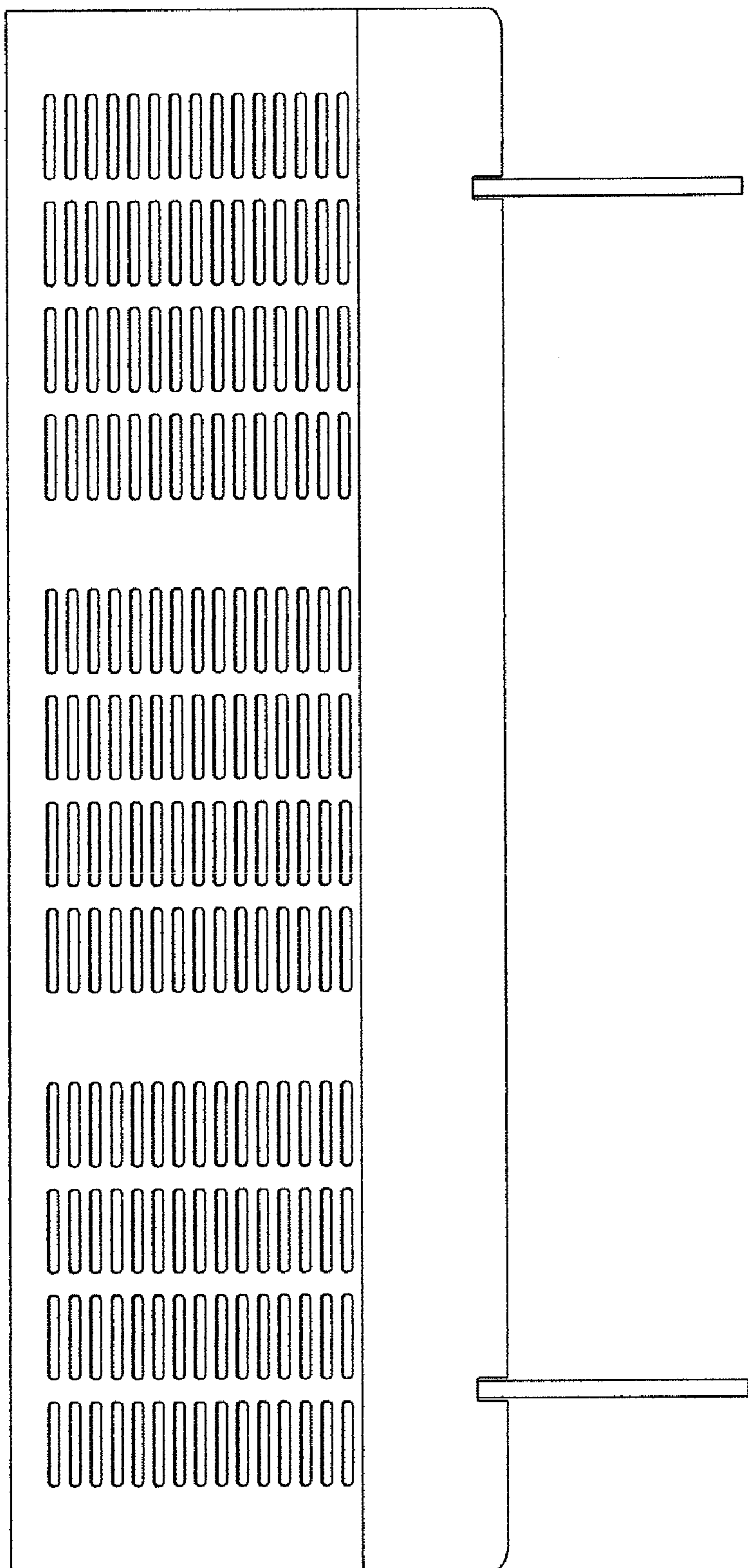


FIGURE 2

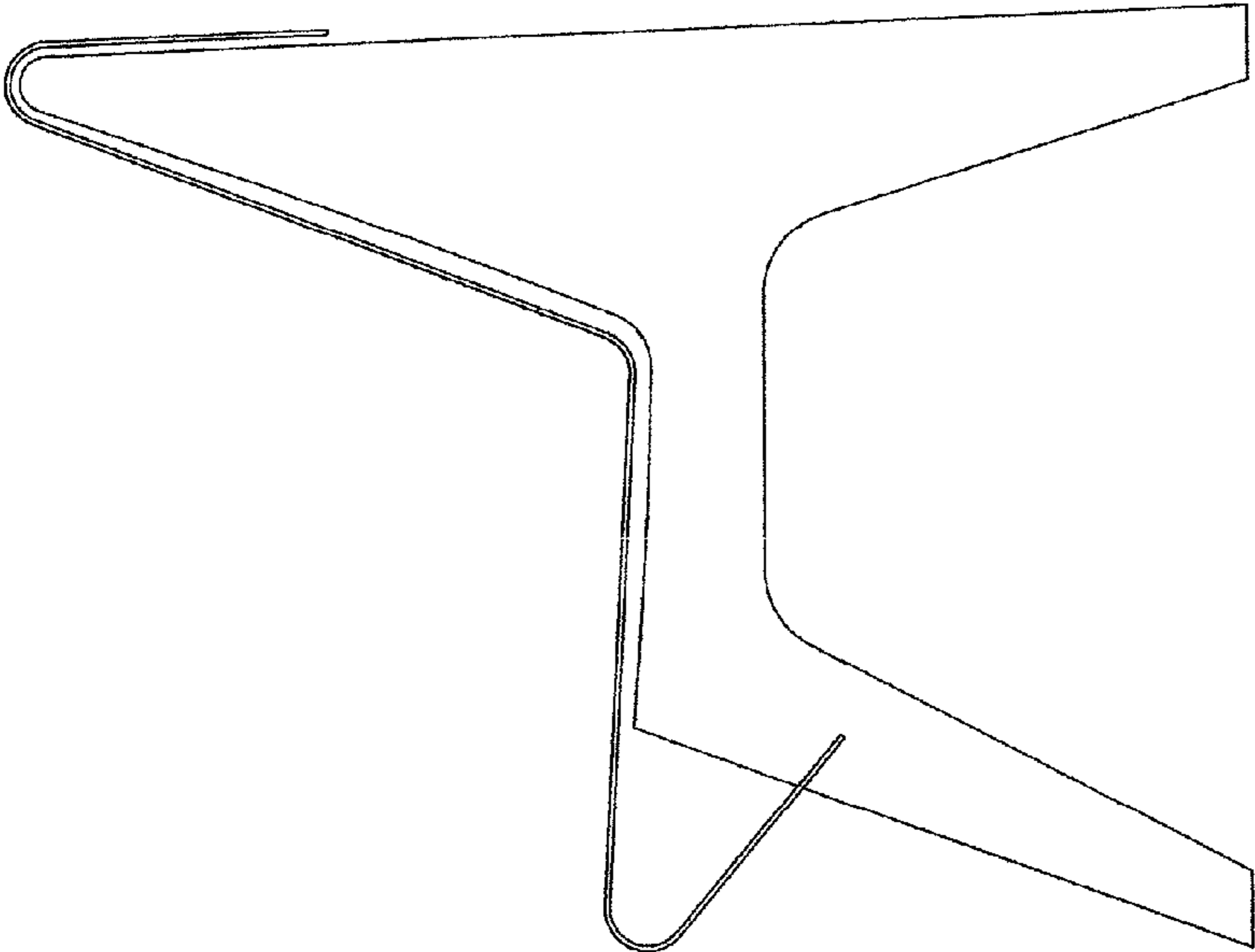


FIGURE 3

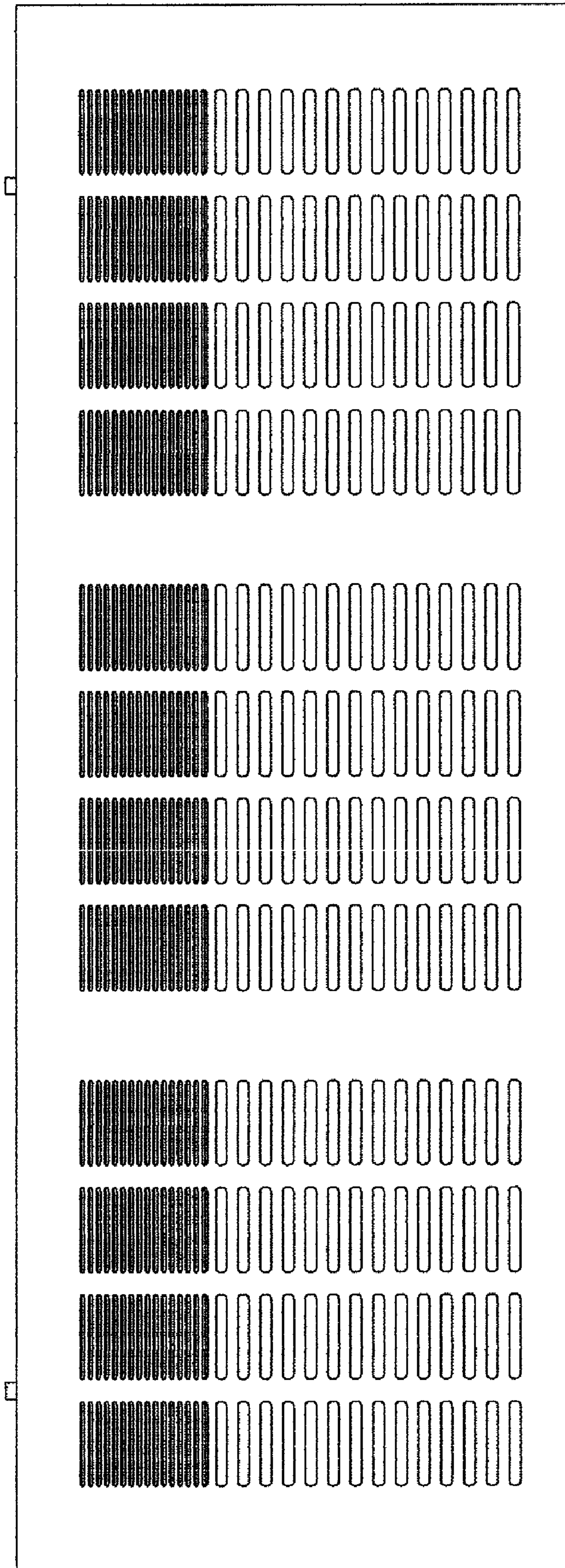


FIGURE 4

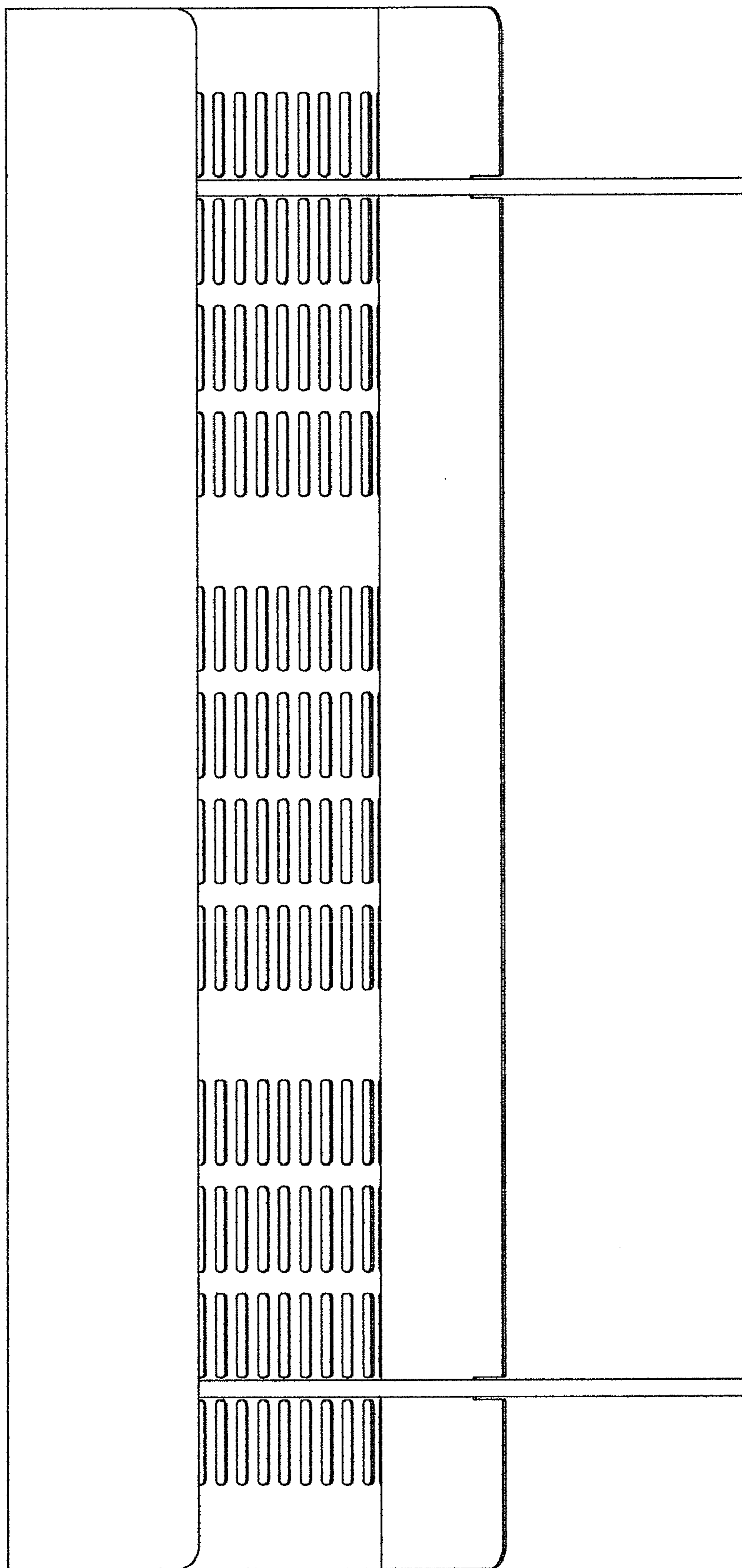


FIGURE 5