



US00D599571S

(12) **United States Design Patent**  
**Hara**

(10) **Patent No.:** **US D599,571 S**  
(45) **Date of Patent:** **\*\* Sep. 8, 2009**

(54) **CHAIR**

(75) Inventor: **Eisuke Hara**, Kawasaki (JP)

(73) Assignee: **Okamura Corporation** (JP)

(\*\*) Term: **14 Years**

(21) Appl. No.: **29/306,521**

(22) Filed: **Apr. 10, 2008**

(30) **Foreign Application Priority Data**

Oct. 10, 2007 (JP) ..... 2007-027593

(51) **LOC (9) Cl.** ..... **06-01**

(52) **U.S. Cl.** ..... **D6/366**

(58) **Field of Classification Search** ..... D6/334-336,  
D6/360, 364, 365, 366, 367, 369, 374, 379,  
D6/380, 498, 500-502; 297/284.4, 411.27,  
297/452.13, 452.19, 452.21, 452.3, 452.56,  
297/452.64

See application file for complete search history.

(56) **References Cited**

**U.S. PATENT DOCUMENTS**

D489,191 S \* 5/2004 Ma ..... D6/366  
D493,627 S \* 8/2004 Ma ..... D6/366  
D511,418 S \* 11/2005 Breen ..... D6/366

D527,920 S \* 9/2006 Giugiaro ..... D6/366  
D528,811 S \* 9/2006 Giugiaro ..... D6/366  
D534,365 S \* 1/2007 Breen ..... D6/366  
D553,378 S \* 10/2007 Wang ..... D6/366  
D567,521 S \* 4/2008 Igarashi ..... D6/366  
D583,580 S \* 12/2008 Hara ..... D6/366  
D583,581 S \* 12/2008 Hara ..... D6/366

\* cited by examiner

*Primary Examiner*—Mimosa De

(74) *Attorney, Agent, or Firm*—Ostrolenk Faber LLP

(57) **CLAIM**

The ornamental design for a chair, as shown and described.

**DESCRIPTION**

FIG. 1 is a front view of a chair showing my new design;

FIG. 2 is a rear view thereof;

FIG. 3 is a top view thereof;

FIG. 4 is a bottom view thereof;

FIG. 5 is a right side view thereof;

FIG. 6 is a left side view thereof; and,

FIG. 7 is a cross sectional view thereof at the line 7—7 in FIG. 1.

The broken lines illustrate mesh.

**1 Claim, 4 Drawing Sheets**

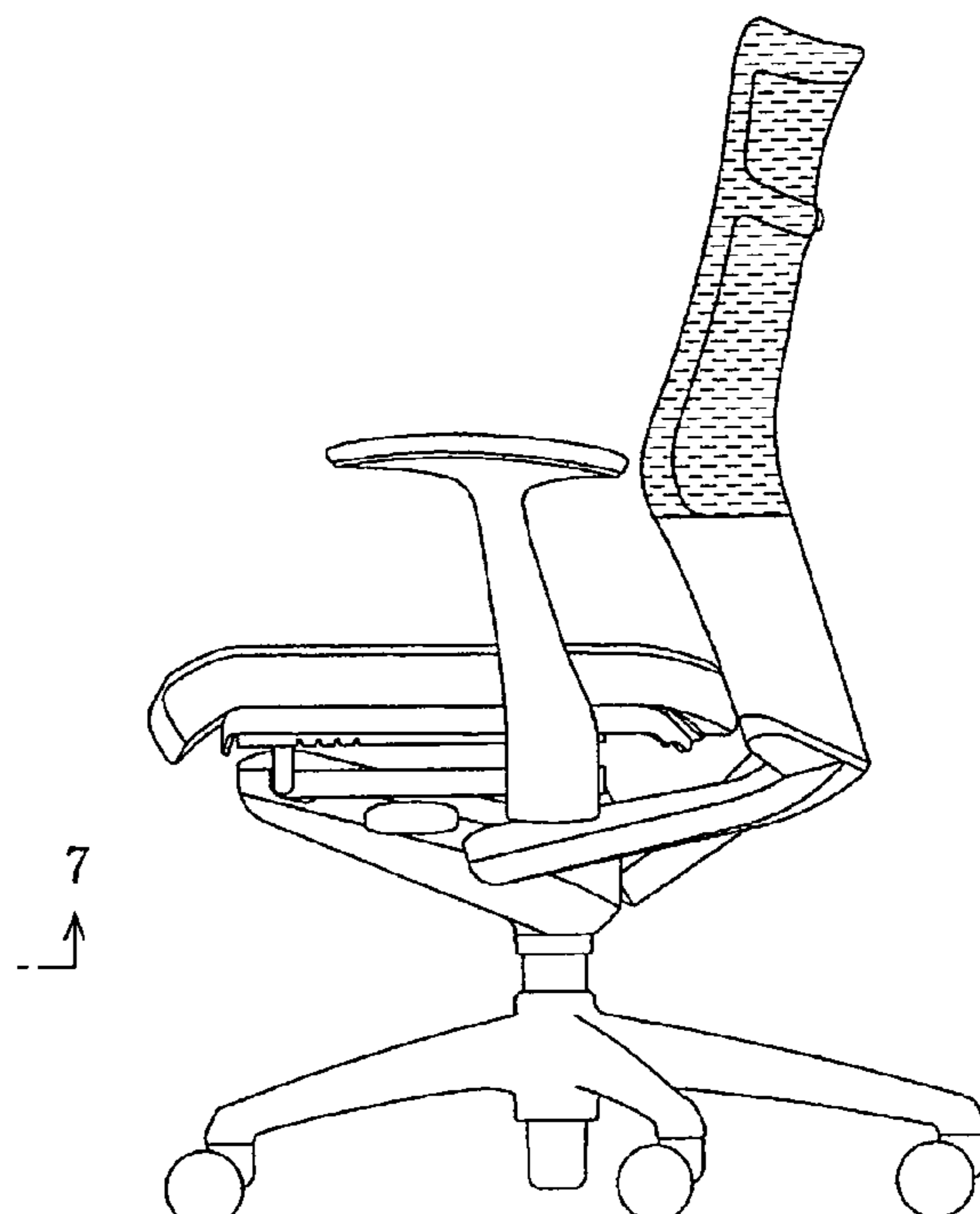
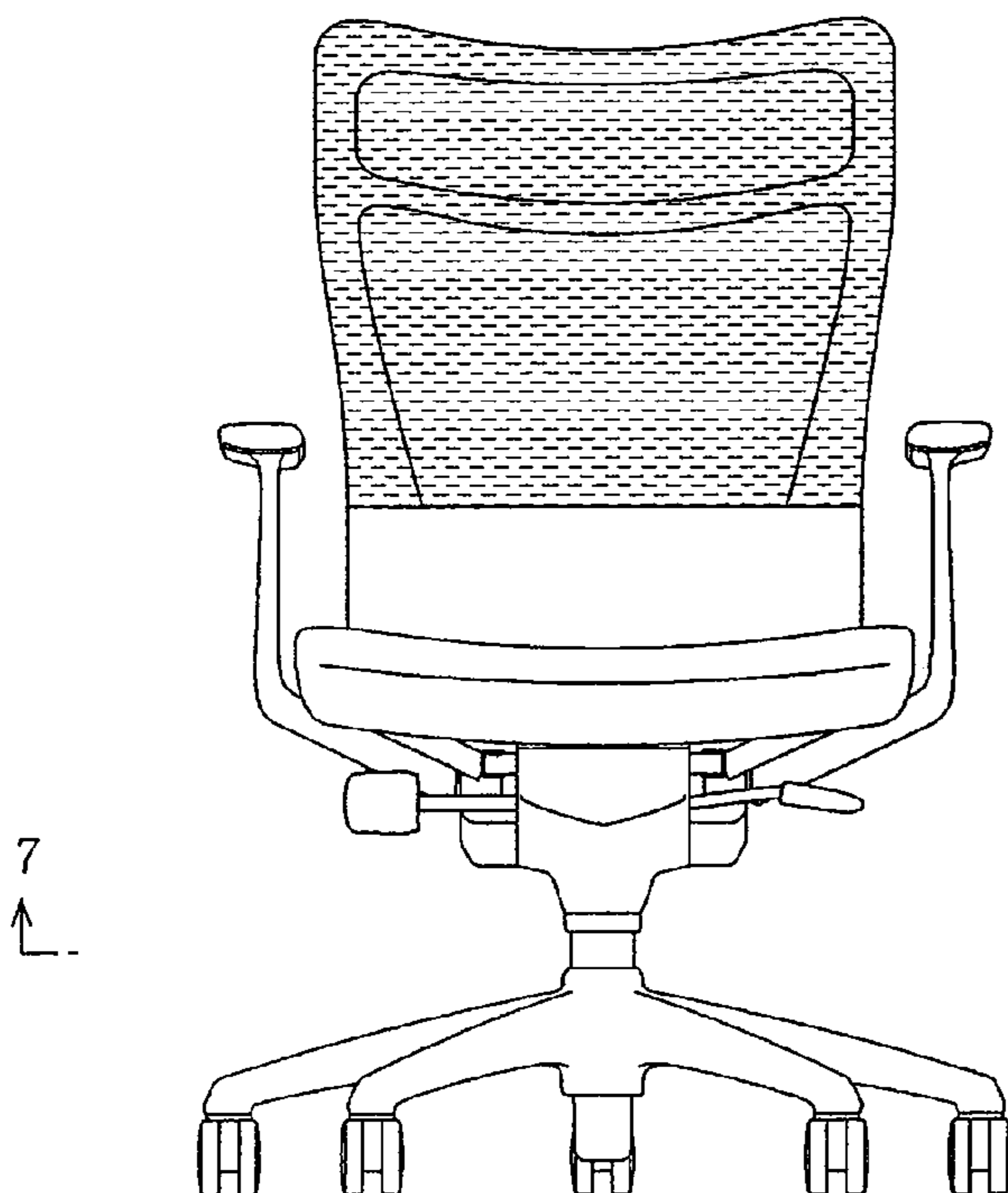


FIG. 1

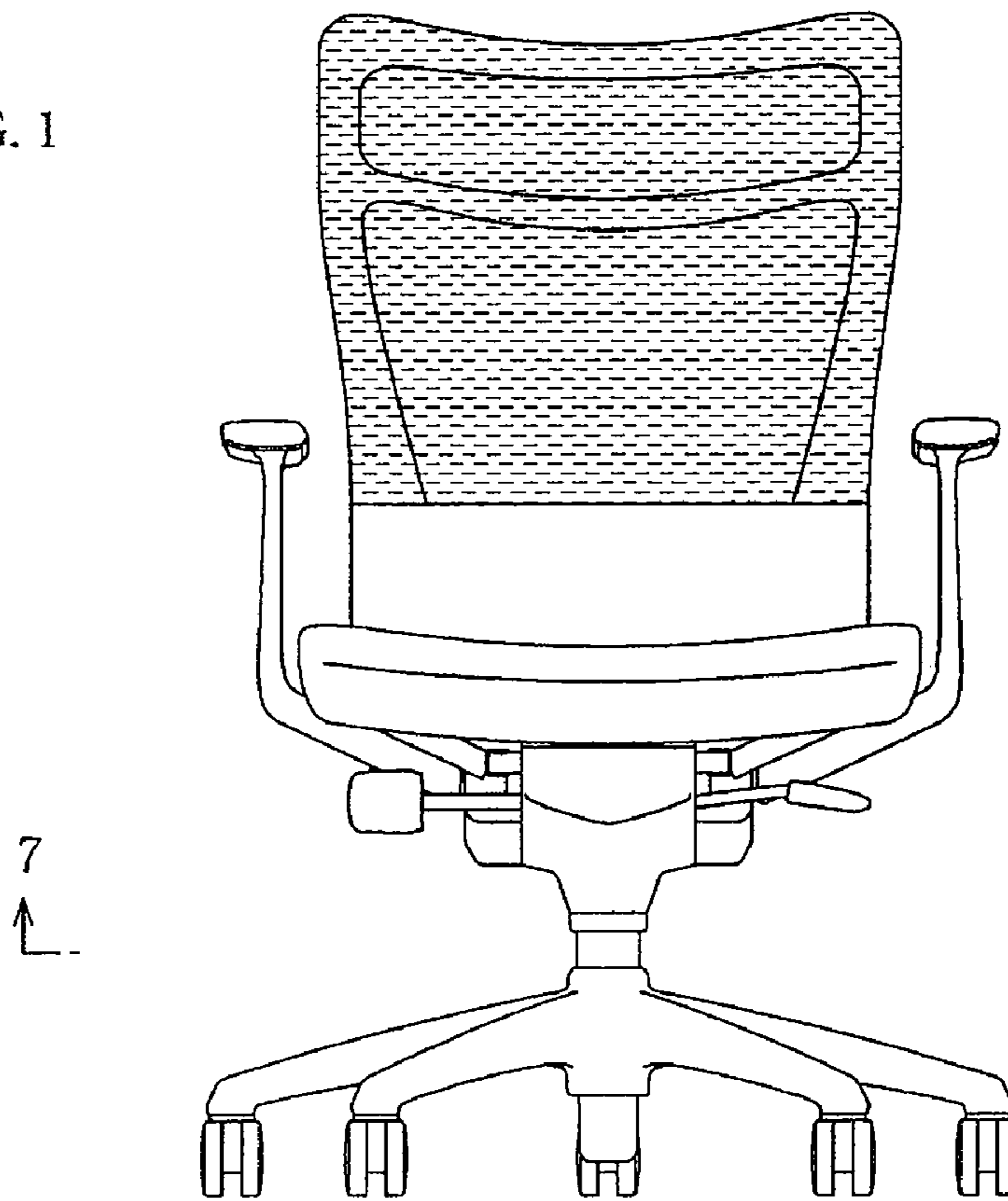


FIG. 2

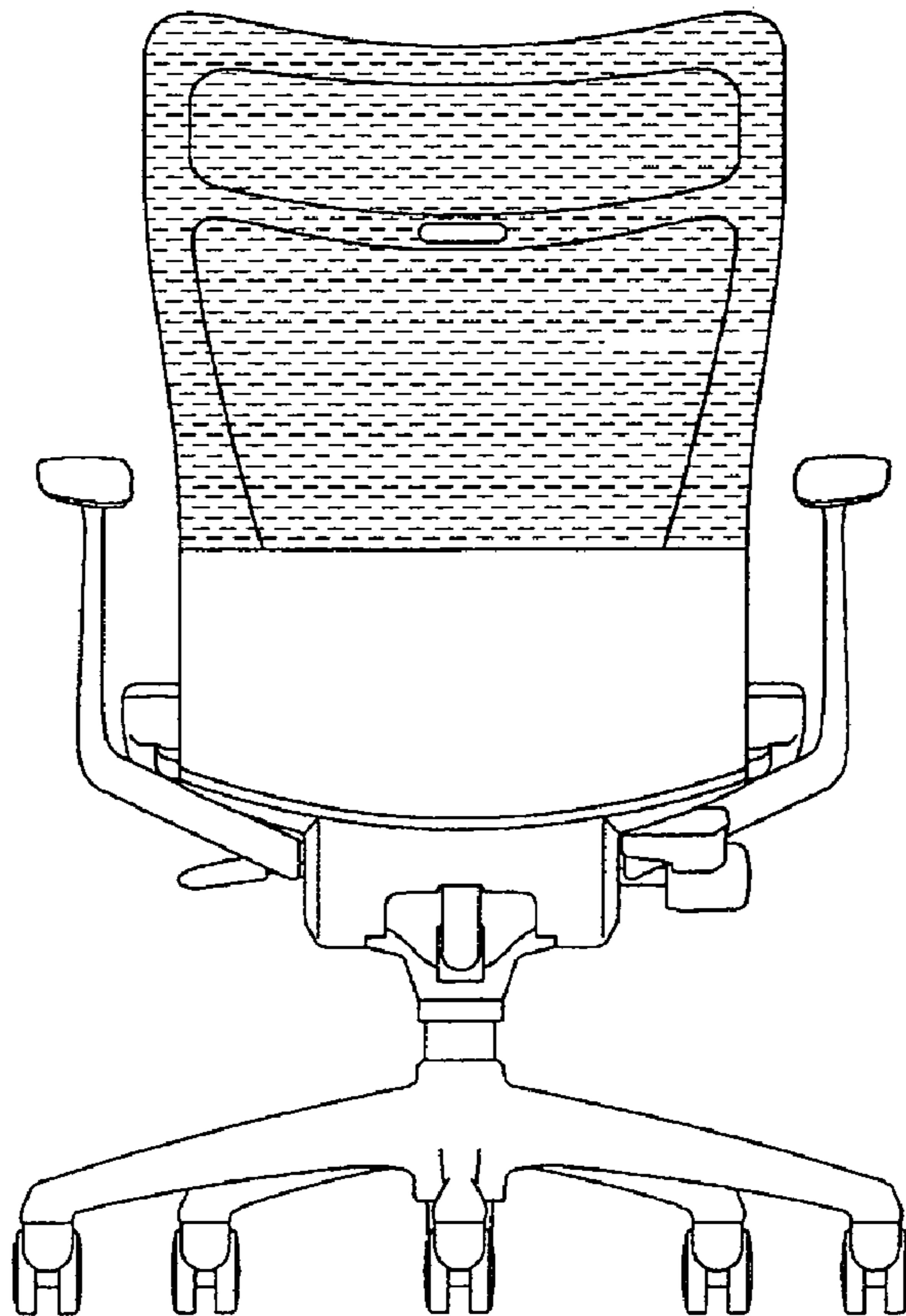


FIG. 3

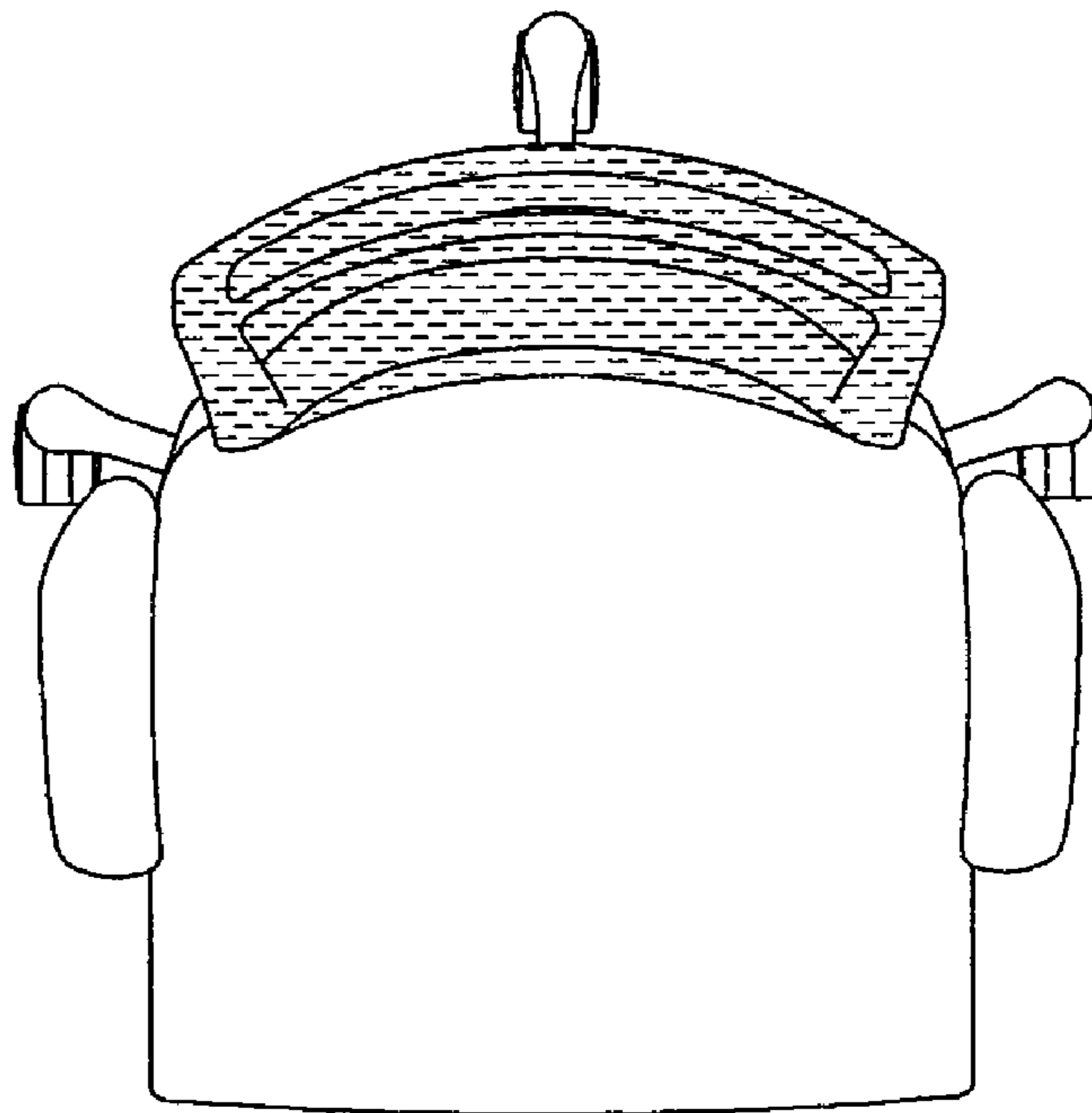


FIG. 4

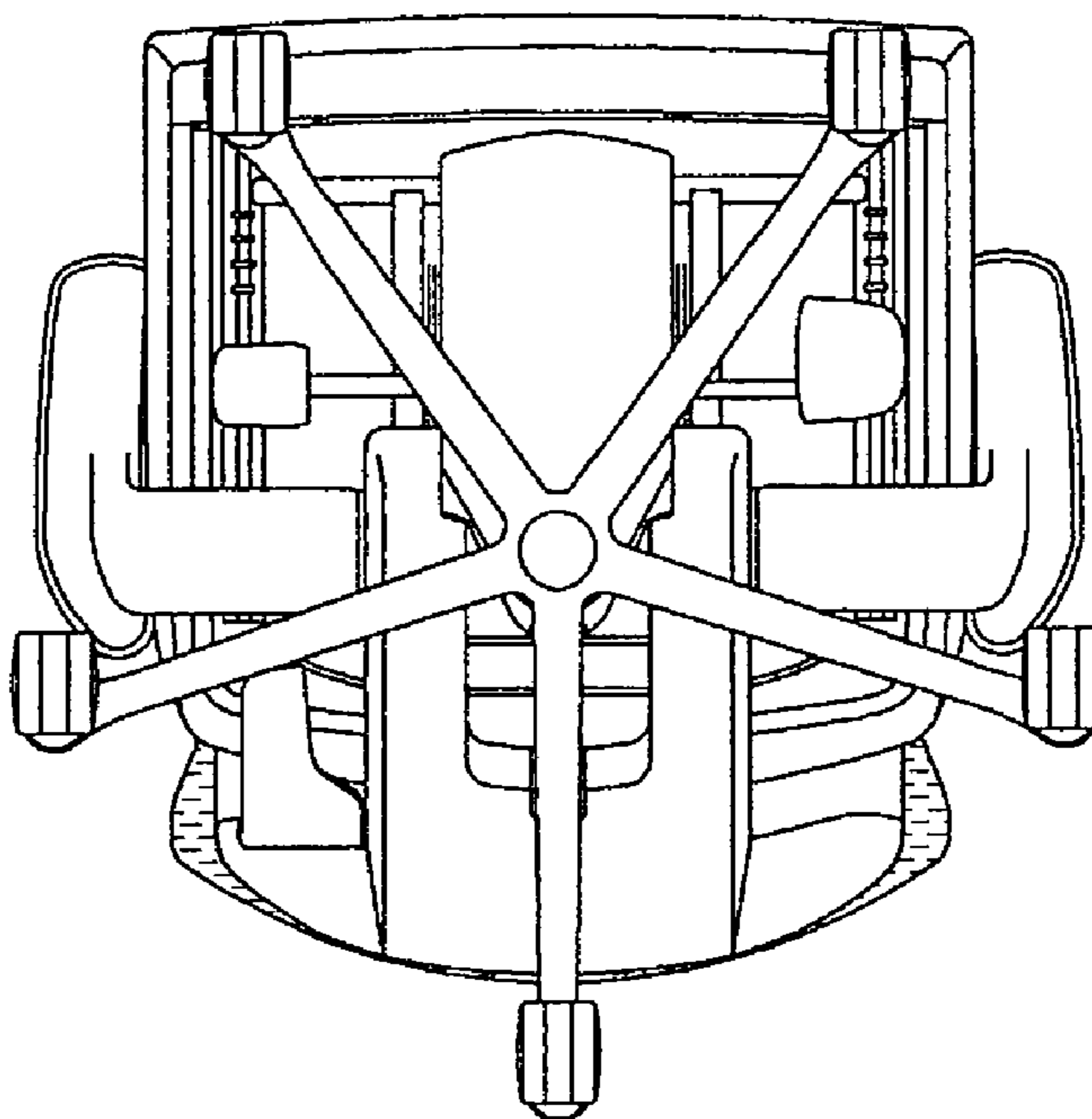


FIG. 5

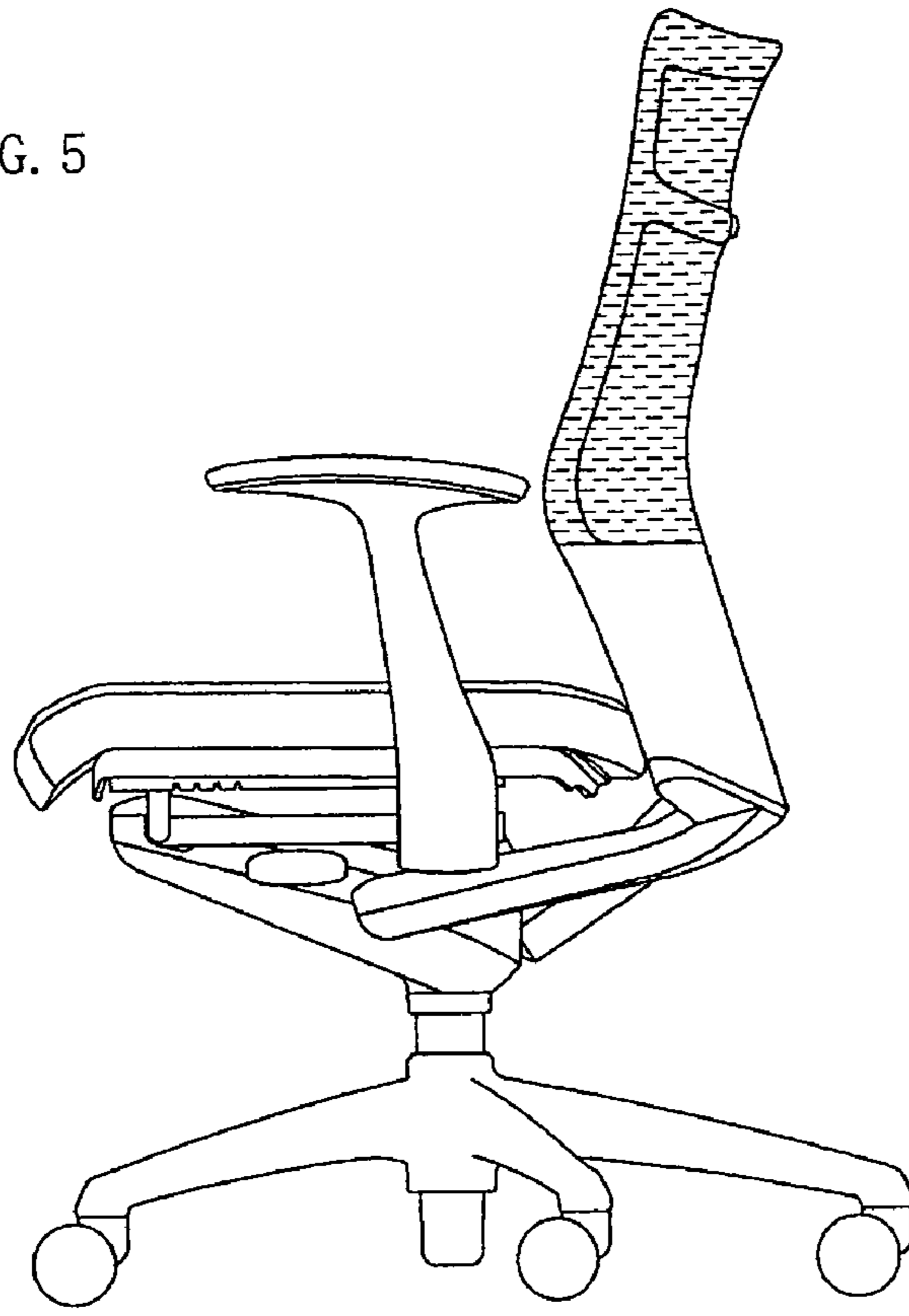


FIG. 6

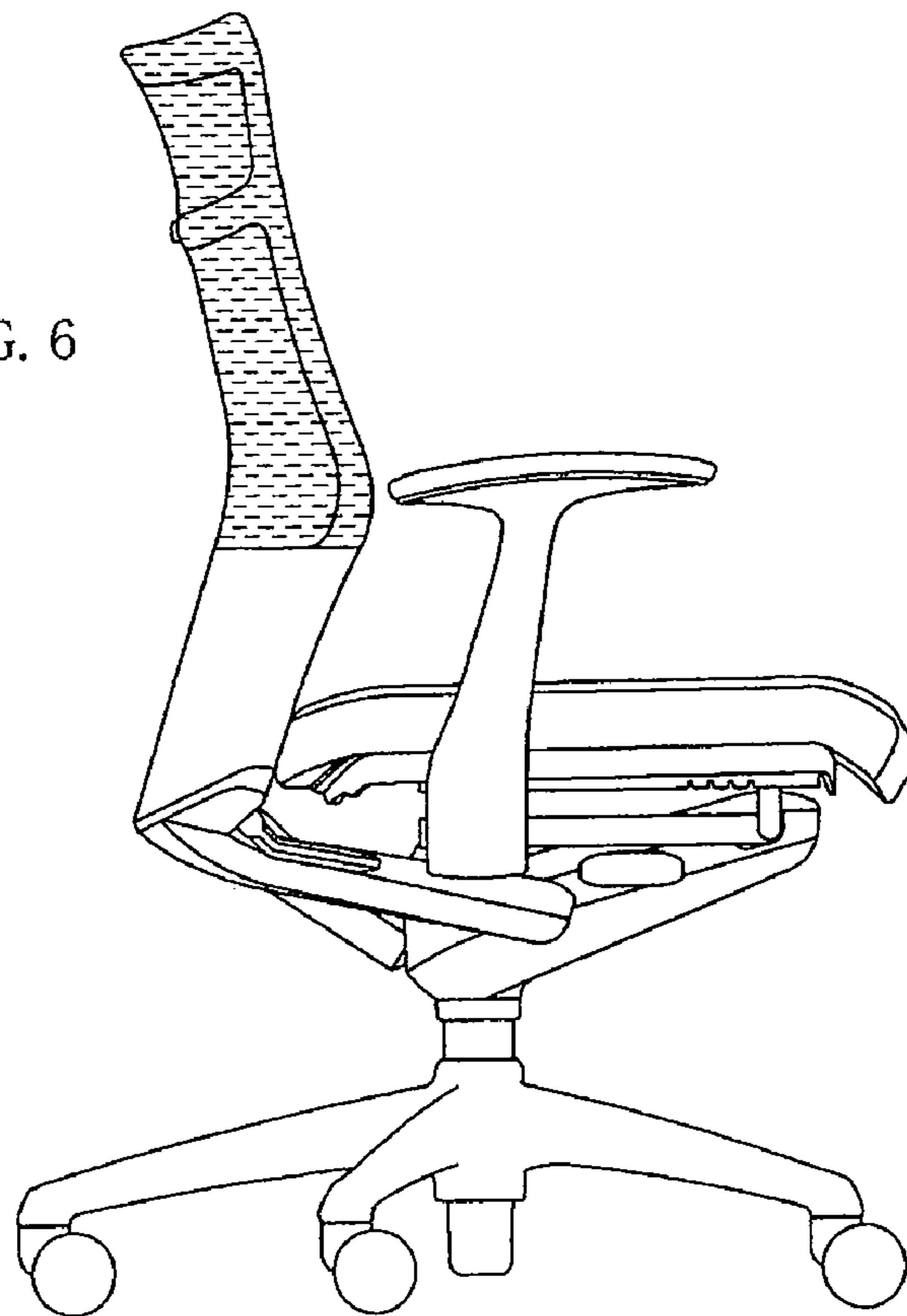


FIG. 7

