



US00D599570S

(12) **United States Design Patent**
Skalka

(10) **Patent No.:** **US D599,570 S**
(45) **Date of Patent:** **** Sep. 8, 2009**

(54) **BENCH**

(75) Inventor: **Gerald Skalka**, Potomac, MD (US)

(73) Assignee: **Victor Stanley, Inc.**, Dunkirk, MD (US)

(**) Term: **14 Years**

(21) Appl. No.: **29/309,168**

(22) Filed: **Jun. 30, 2008**

Related U.S. Application Data

(62) Division of application No. 29/290,739, filed on Jan. 9, 2008, now Pat. No. Des. 579,227.

(51) **LOC (9) Cl.** **06-01**

(52) **U.S. Cl.** **D6/355**

(58) **Field of Classification Search** D6/349,
D6/355, 334–336, 356, 364, 370–371, 373,
D6/379–381, 500–502; 5/12.1, 655.3; 297/232,
297/16.1–16.2, 116, 135, 154, 187, 158.3,
297/158.4, 158.5

See application file for complete search history.

(56) **References Cited**

U.S. PATENT DOCUMENTS

D365,937 S	1/1996	Skalka	
D376,271 S	12/1996	Skalka	
D383,615 S	9/1997	Skalka	
D384,512 S	10/1997	Skalka	
D386,012 S	11/1997	Skalka	
D396,358 S *	7/1998	Geier D6/349
D419,341 S	1/2000	Chipman	
D453,424 S *	2/2002	Stewart D6/349
D457,742 S	5/2002	Arnold	
D481,211 S *	10/2003	Chipman D6/349
D488,934 S *	4/2004	Milinov D6/336
D503,552 S *	4/2005	Messier D6/349

(Continued)

Primary Examiner—Elizabeth A Albert

Assistant Examiner—Kelley A Donnelly

(74) *Attorney, Agent, or Firm*—Jacobson Holman PLLC

(57) **CLAIM**

The ornamental design for a bench, as shown and described.

DESCRIPTION

FIG. 1 is an isometric view of a first embodiment of a bench showing my new design.

FIG. 2 is a right side elevational view of the bench of FIG. 1, the left side elevational view being a mirror image thereof.

FIG. 3 is a top plan view of the bench of FIG. 1.

FIG. 4 is a front elevational view of the bench of FIG. 1.

FIG. 5 is a back elevational view of the bench of FIG. 1.

FIG. 6 is a bottom plan view of the bench of FIG. 1.

FIG. 7 is an isometric view of a second embodiment of a bench showing my new design.

FIG. 8 is a right side elevational view of the bench of FIG. 7, the left side elevational view being a mirror image thereof.

FIG. 9 is a top plan view of the bench of FIG. 7.

FIG. 10 is a front elevational view of the bench of FIG. 7.

FIG. 11 is a back elevational view of the bench of FIG. 7.

FIG. 12 is a bottom plan view of the bench of FIG. 7.

FIG. 13 is an isometric view of a third embodiment of a bench showing my new design.

FIG. 14 is a right side elevational view of the bench of FIG. 13, the left side elevational view being a mirror image thereof.

FIG. 15 is a top plan view of the bench of FIG. 13.

FIG. 16 is a front elevational view of the bench of FIG. 13.

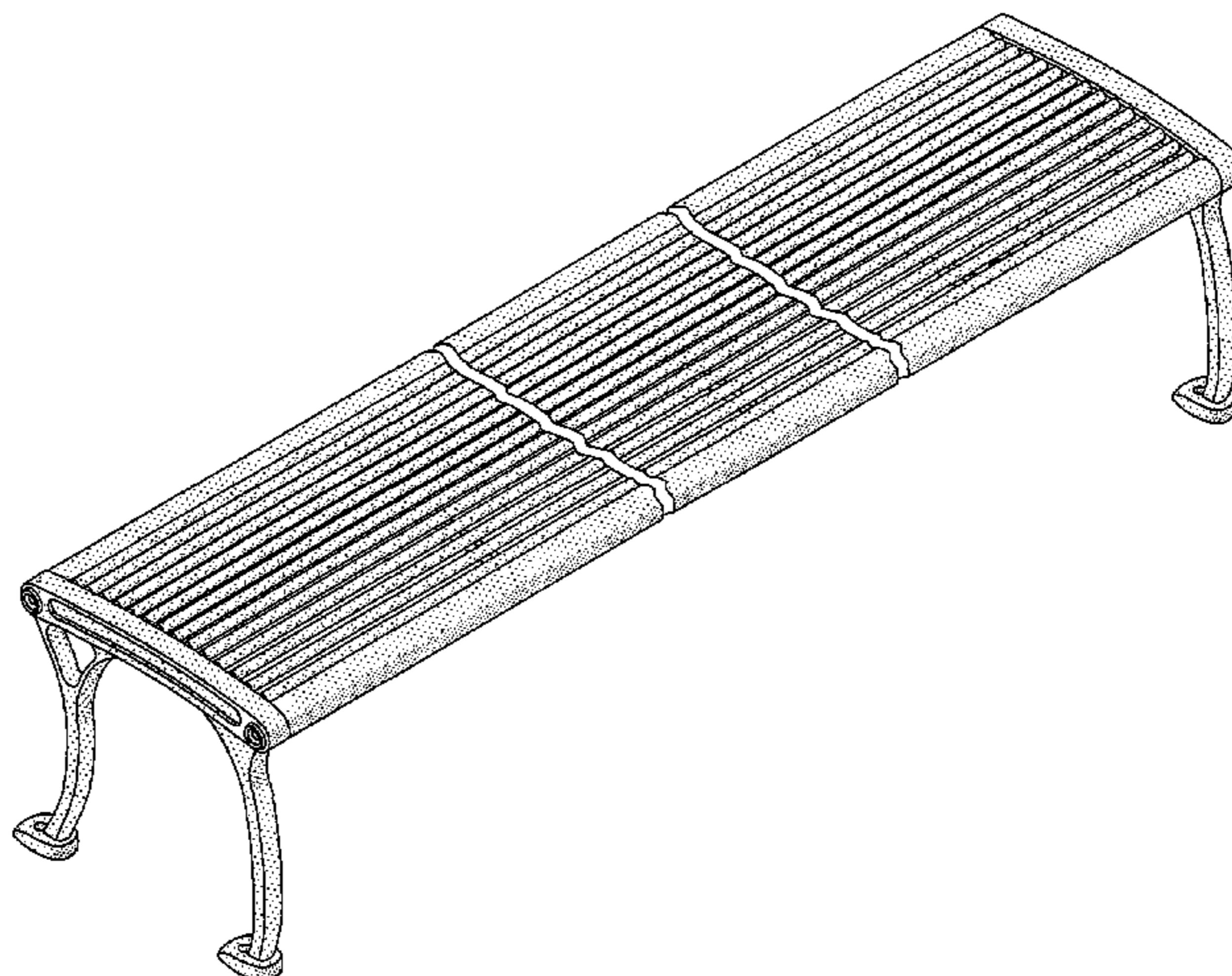
FIG. 17 is a back elevational view of the bench of FIG. 13; and,

FIG. 18 is a bottom plan view of the bench of FIG. 13.

The stippling in the drawings is merely a version of surface shading and forms no part of the claimed design.

The bench is shown broken-away transversely in the various views to indicate that a specific length forms no part of the claimed design.

1 Claim, 9 Drawing Sheets

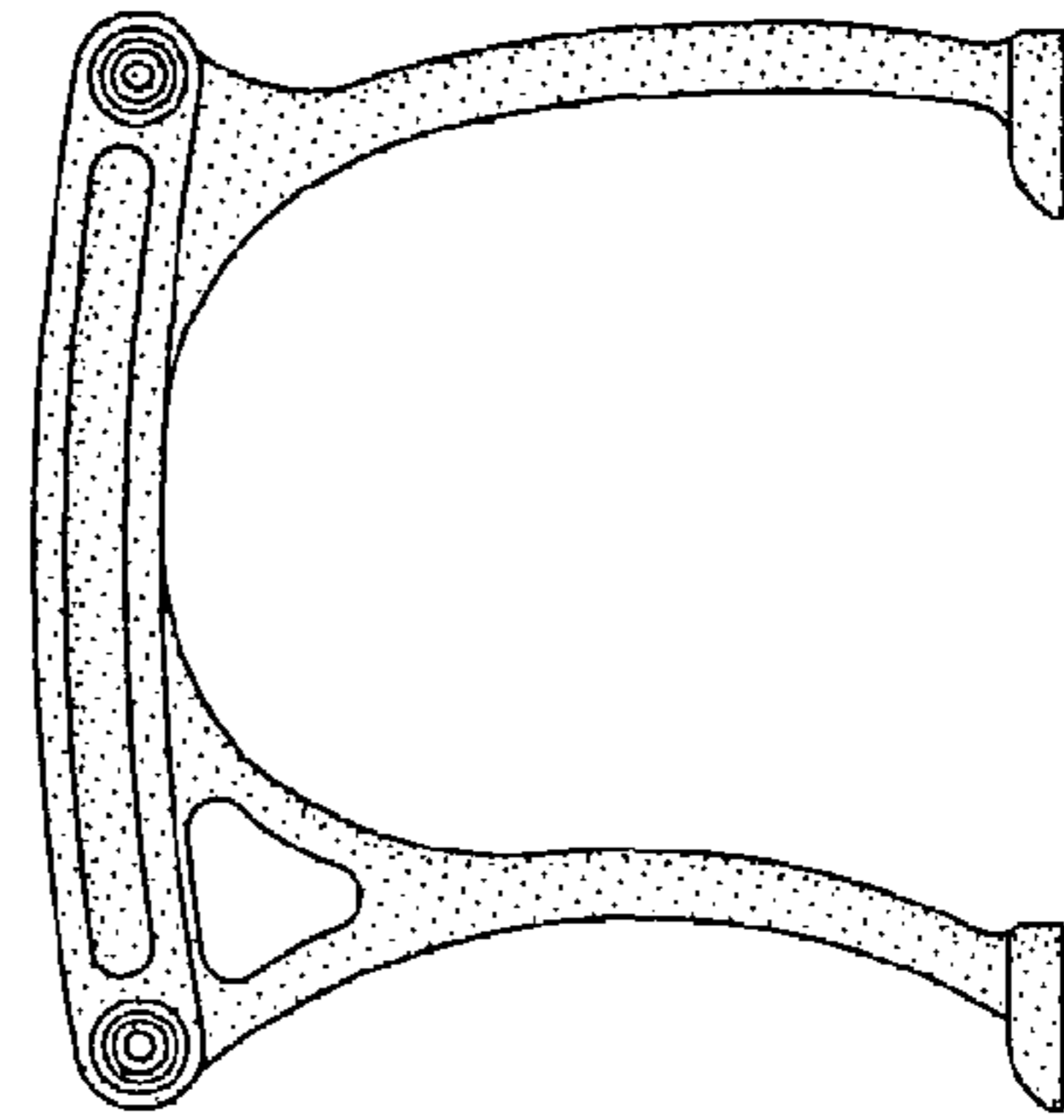
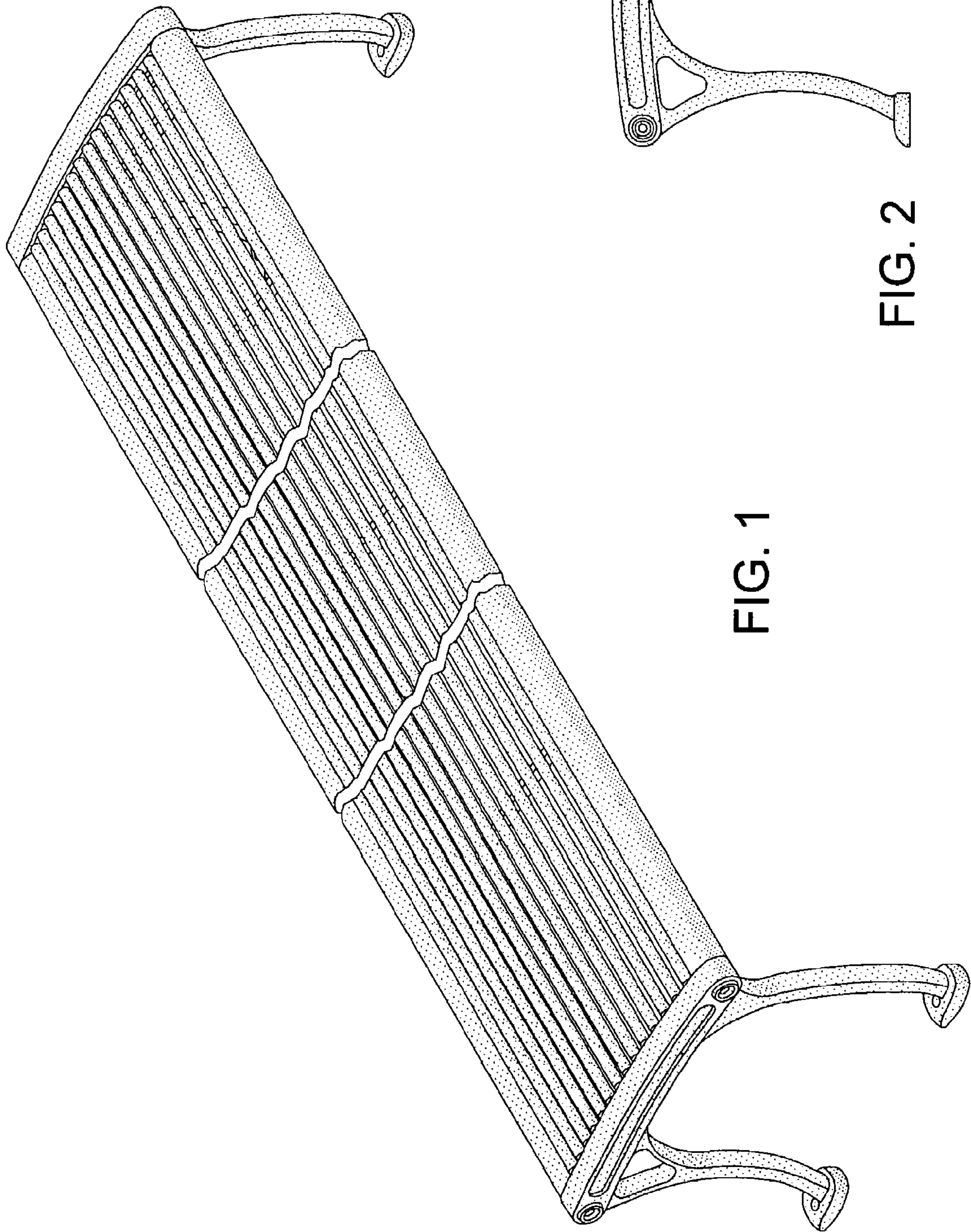


US D599,570 S

Page 2

U.S. PATENT DOCUMENTS			
D510,199 S	*	10/2005	Messier D6/349
D512,229 S		12/2005	Reza-Hadden
D523,650 S		6/2006	Skalka
D525,809 S		8/2006	Hughes
D526,514 S		8/2006	Hughes
D526,805 S		8/2006	Skalka
D530,535 S		10/2006	Skalka
D532,620 S		11/2006	Skalka
D536,184 S	*	2/2007	Skalka D6/349
7,252,331 B1	*	8/2007	Walton 297/232
D556,362 S	*	11/2007	Pfund et al. D26/94
D559,569 S	*	1/2008	Pappas D6/355
D563,689 S		3/2008	Skalka
D578,783 S	*	10/2008	Skalka D6/355
D581,173 S	*	11/2008	Skalka D6/337
D581,188 S	*	11/2008	Skalka D6/480
D586,144 S	*	2/2009	Skalka D6/381
2003/0230912 A1	*	12/2003	Arnold et al. 297/158.3

* cited by examiner



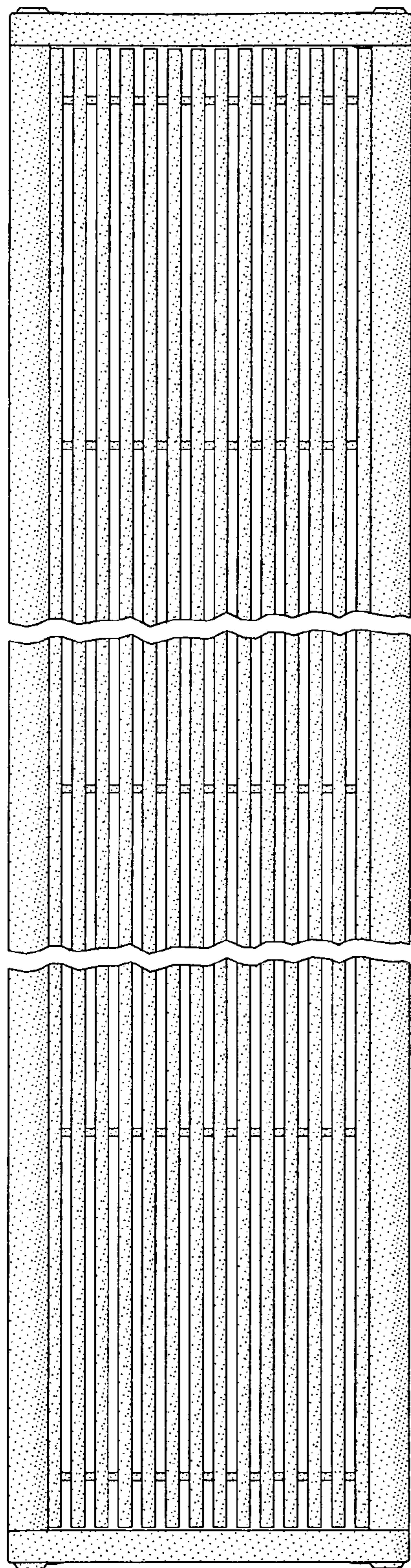


FIG. 3

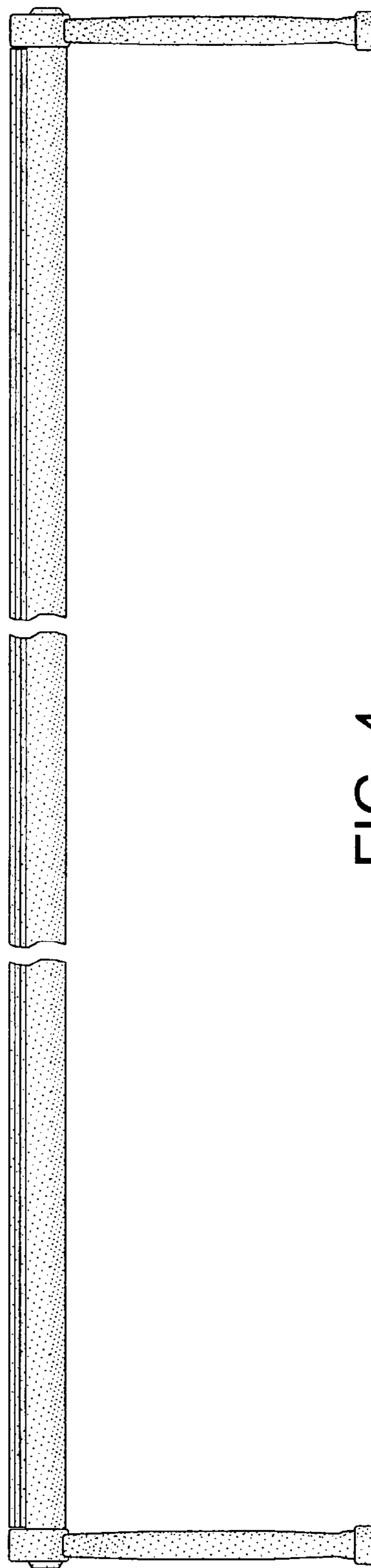


FIG. 4

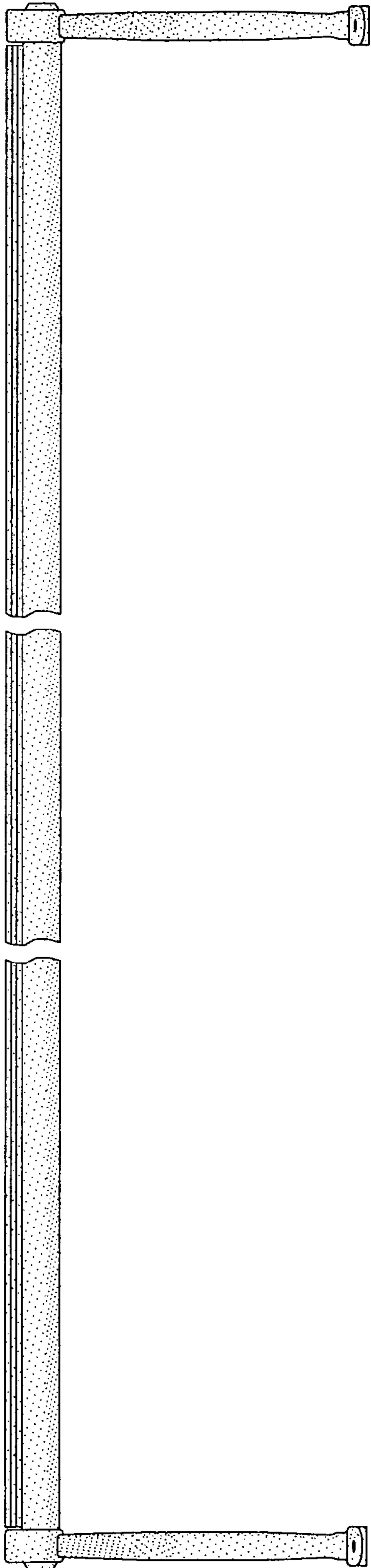


FIG. 5

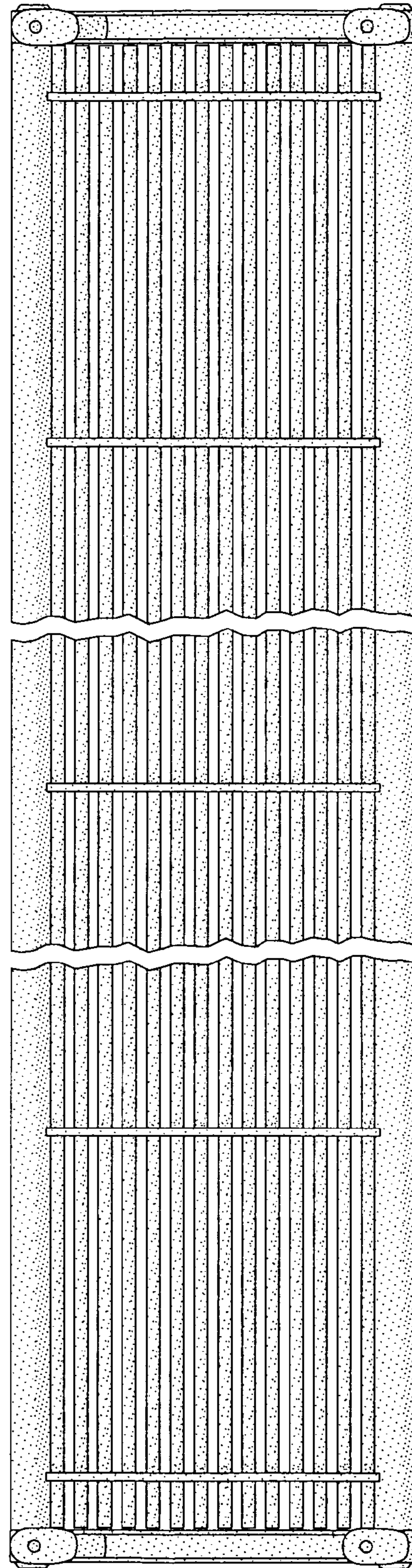


FIG. 6

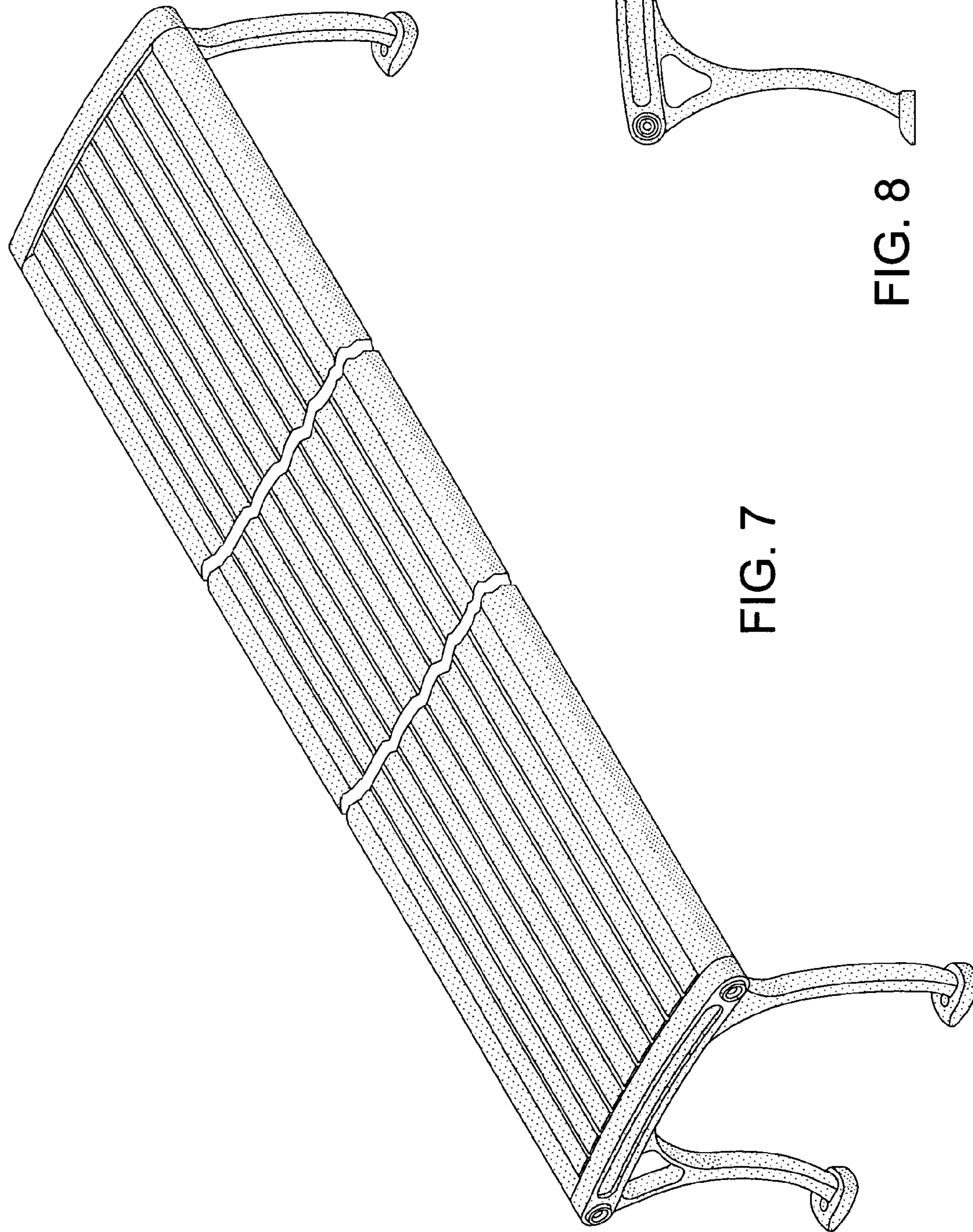


FIG. 7

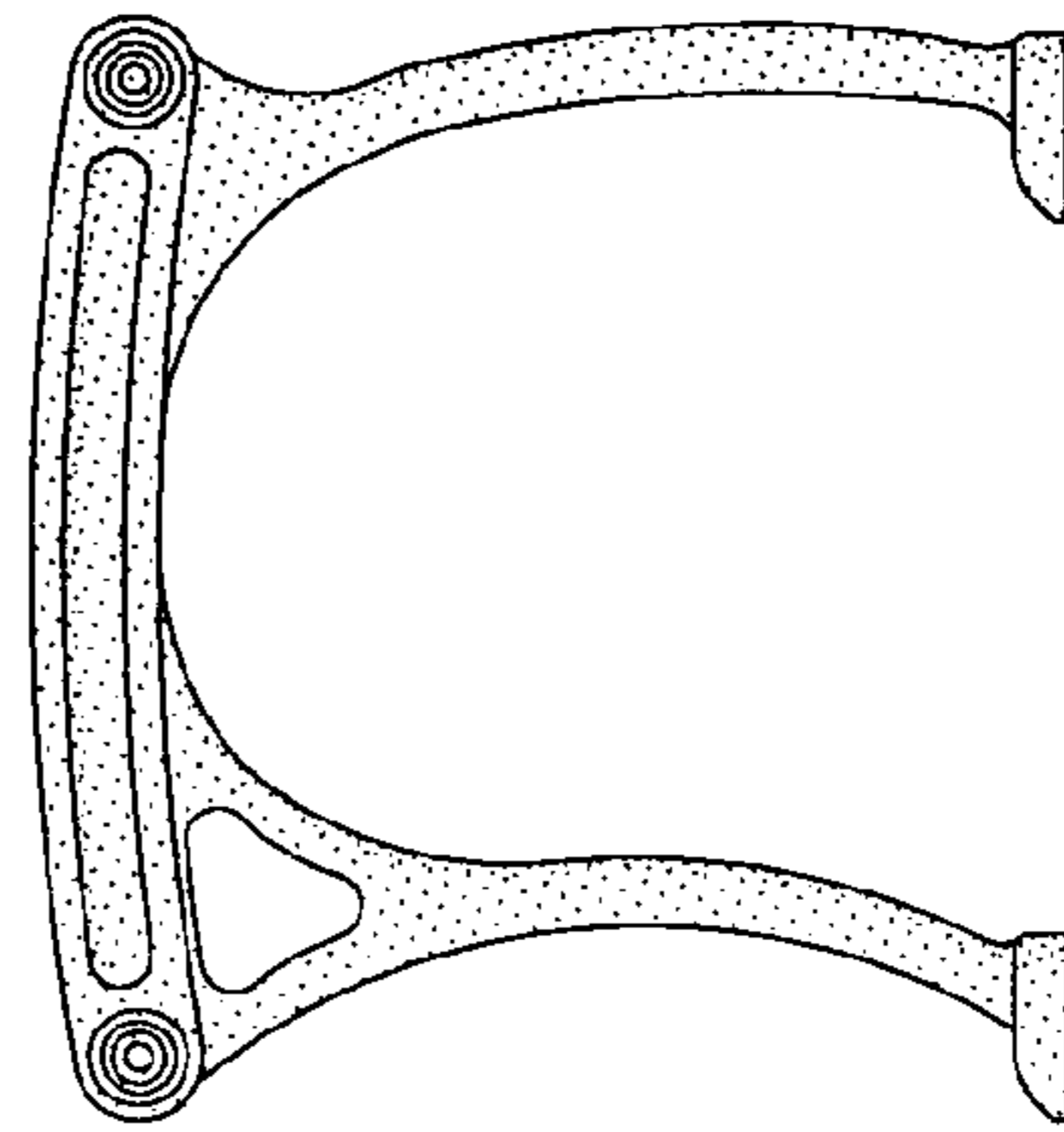


FIG. 8

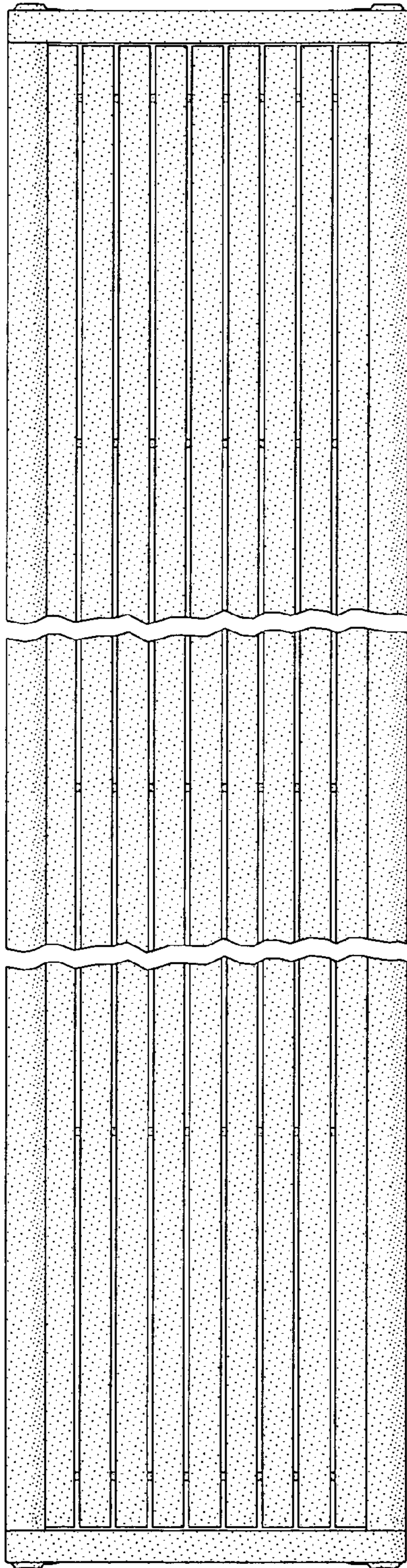


FIG. 9

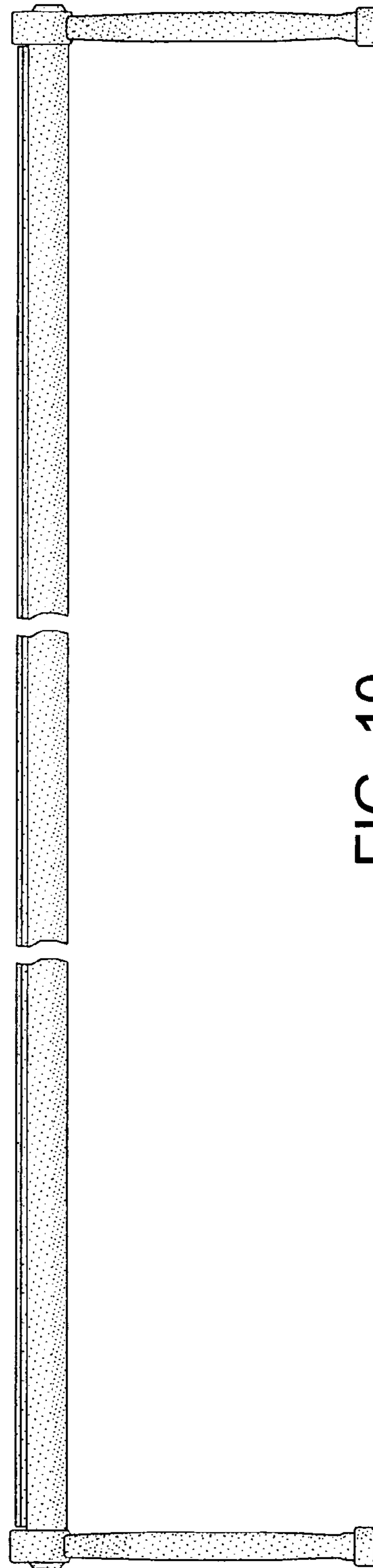


FIG. 10

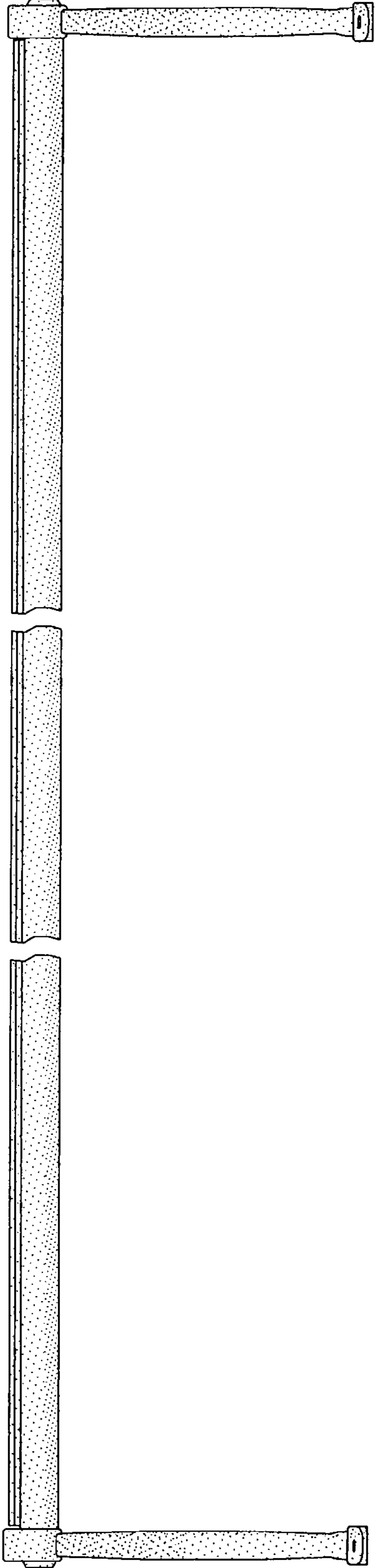


FIG. 11

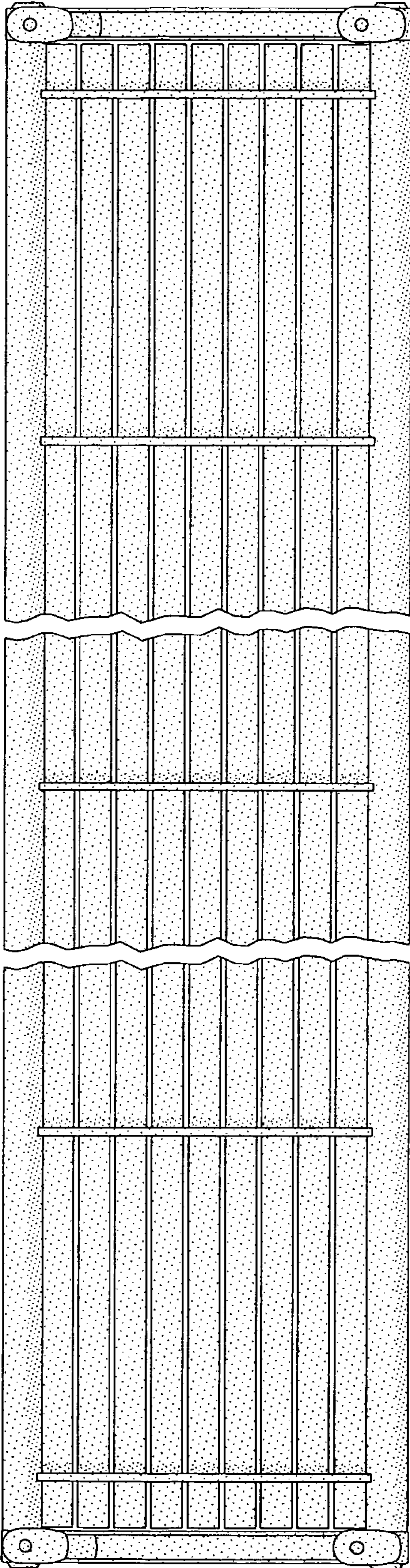


FIG. 12

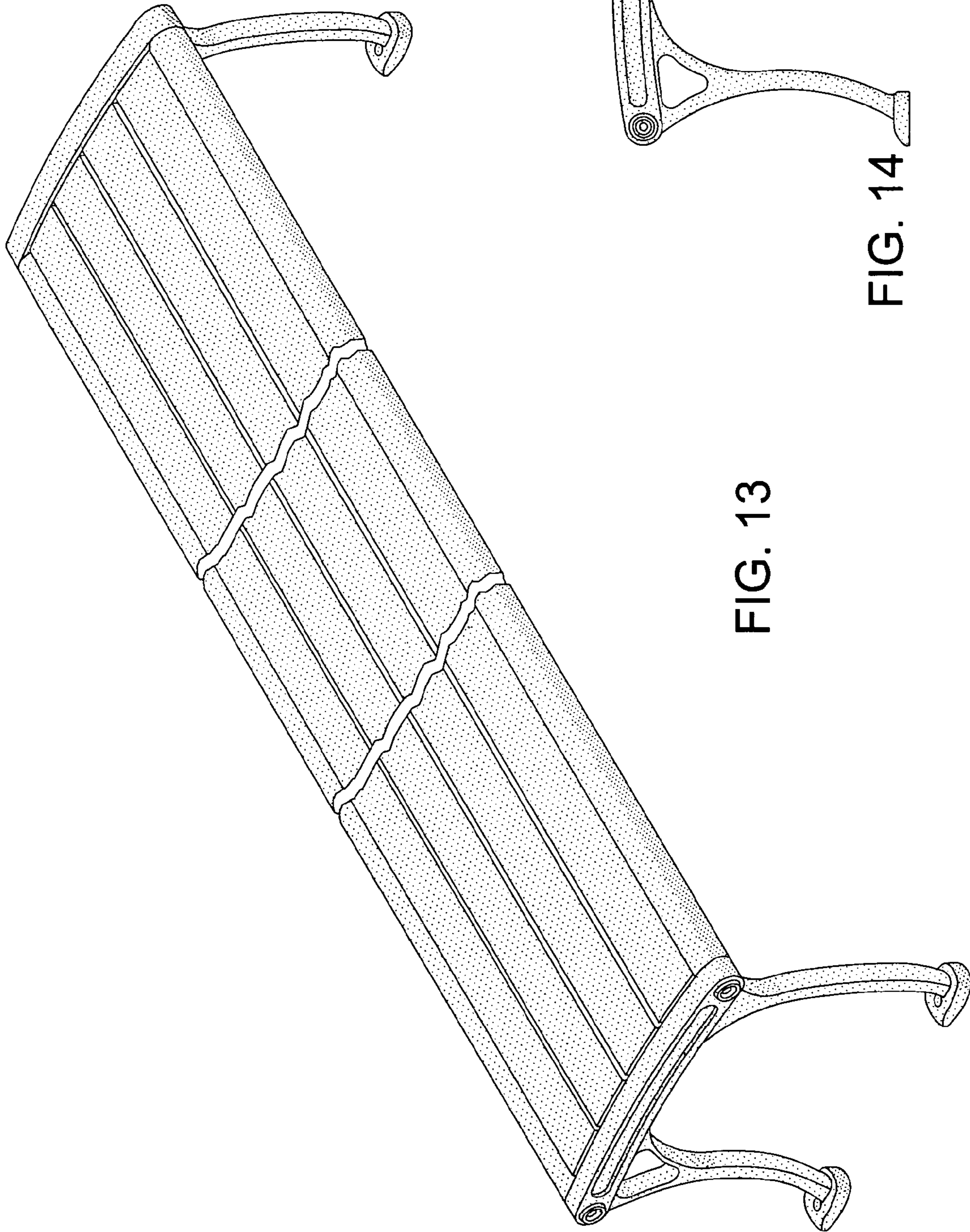


FIG. 13

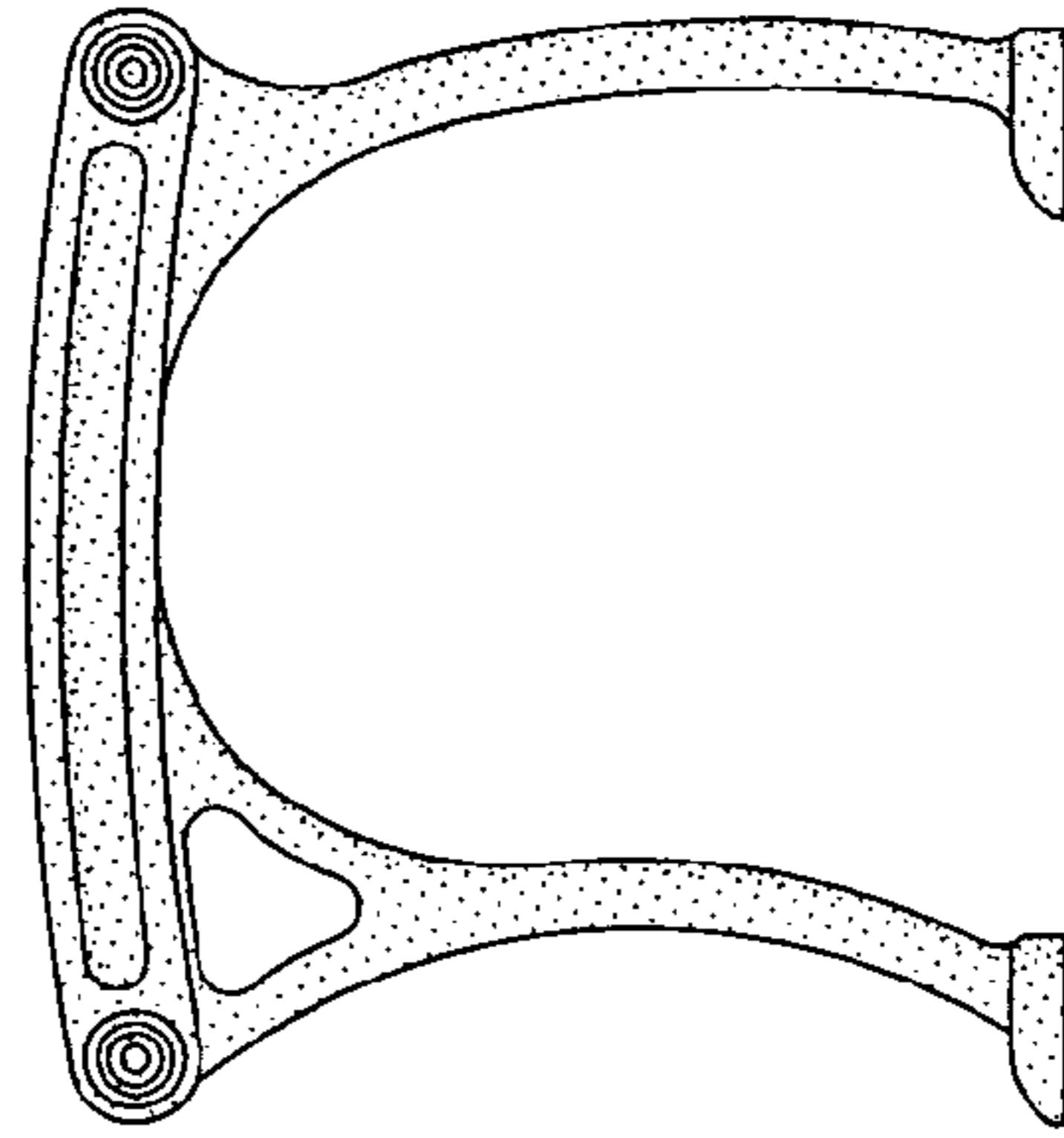


FIG. 14

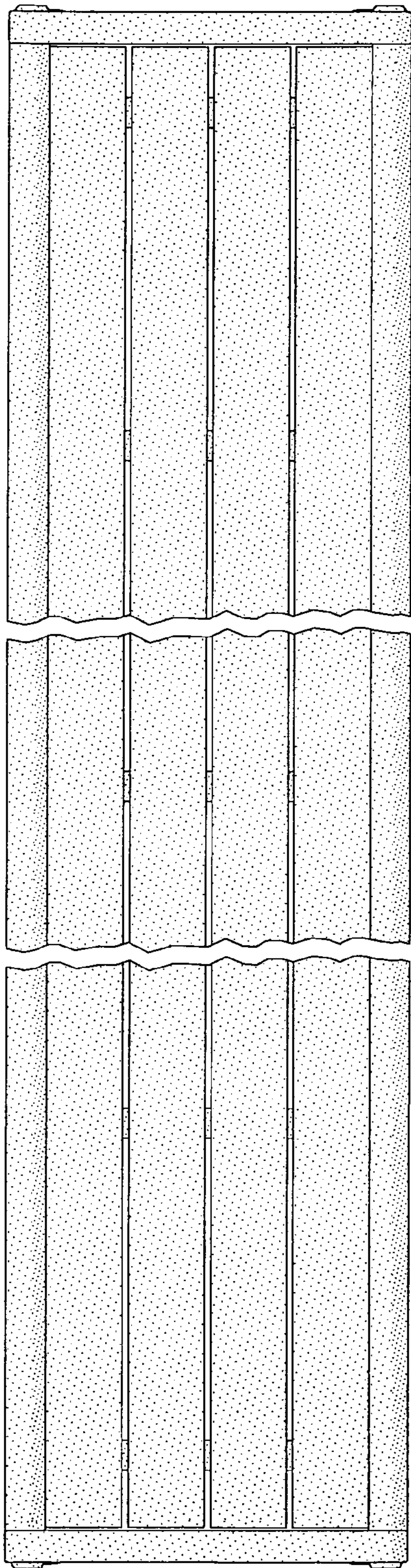


FIG. 15

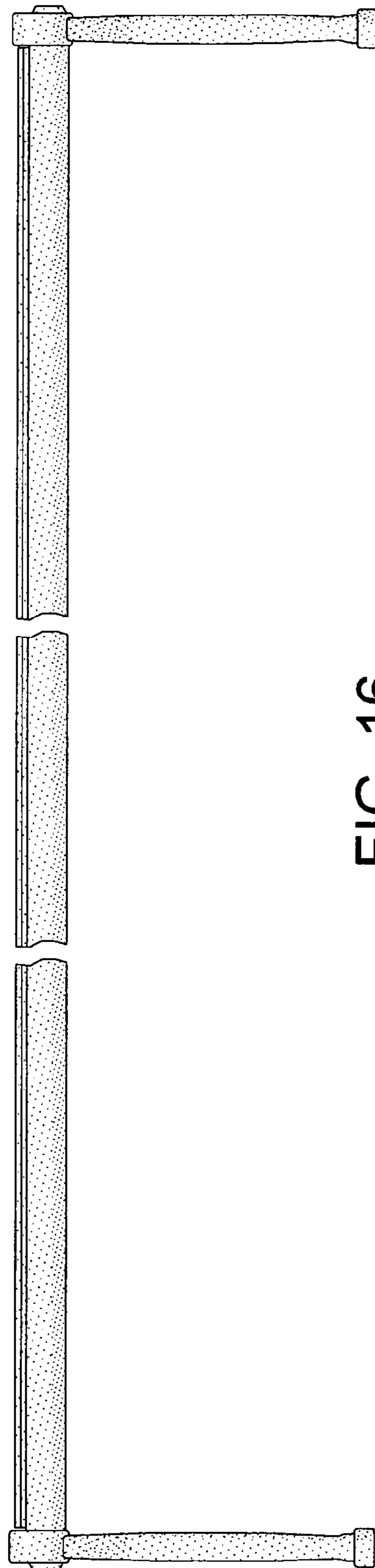


FIG. 16

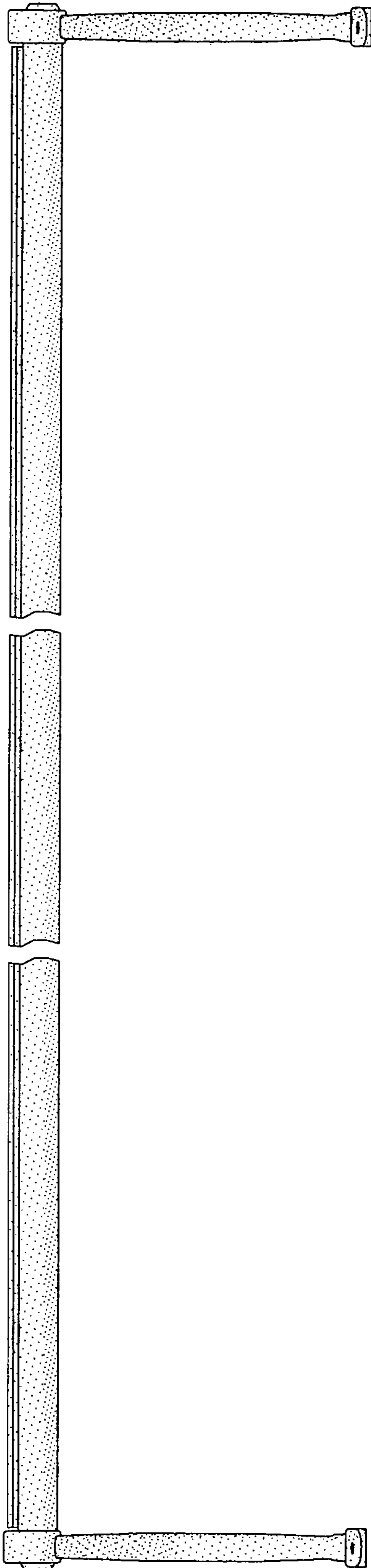


FIG. 17

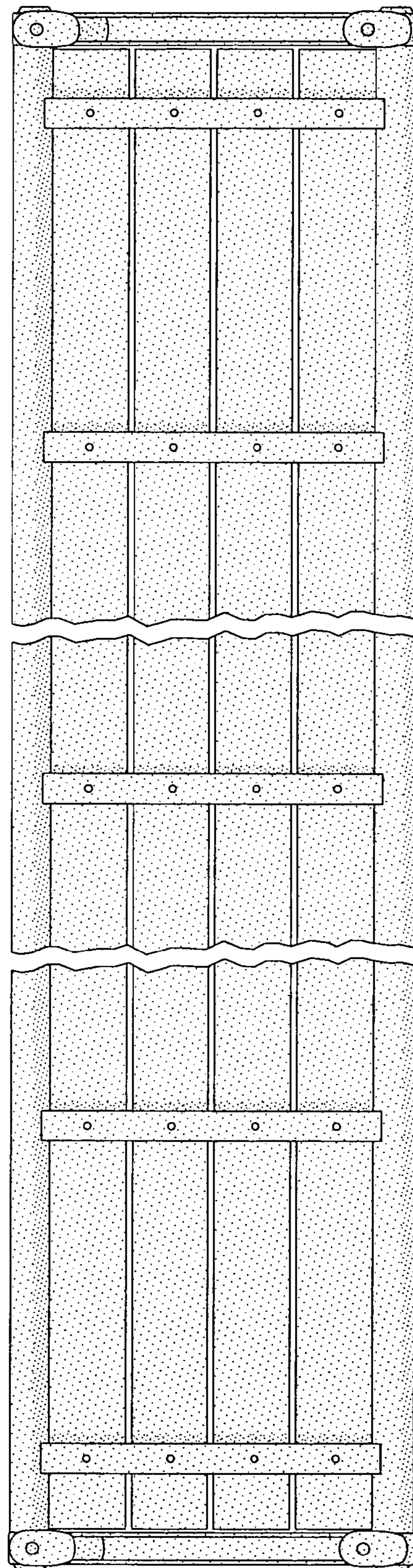


FIG. 18