



US00D599567S

(12) **United States Design Patent**  
**Kuo**

(10) **Patent No.:** **US D599,567 S**

(45) **Date of Patent:** **\*\* Sep. 8, 2009**

(54) **HANGER**

D573,825 S \* 7/2008 Rubin et al. .... D6/546  
D573,826 S \* 7/2008 Rubin et al. .... D6/546

(76) Inventor: **Kuo-Yung Kuo**, No. 265-7, Wunsin 1st Rd., Nantun District, Taichung City (TW)

\* cited by examiner

*Primary Examiner*—Stella M Reid

*Assistant Examiner*—Shanda C Hill

(74) *Attorney, Agent, or Firm*—Fitzpatrick, Cella, Harper & Scinto

(\*\*) Term: **14 Years**

(21) Appl. No.: **29/318,014**

(22) Filed: **May 12, 2008**

(57) **CLAIM**

The ornamental design for hanger, as shown and described.

(51) **LOC (9) Cl.** ..... **06-08**

(52) **U.S. Cl.** ..... **D6/320**

(58) **Field of Classification Search** ..... D6/315,  
D6/317, 319, 320, 328, 524, 546, 549; 211/13.1,  
211/85.3, 89, 113, 119; 223/85-98; 40/322;  
D8/367, 372, 373

See application file for complete search history.

**DESCRIPTION**

FIG. 1 is a perspective view of hanger showing my new design;

FIG. 2 is a front elevational view thereof;

FIG. 3 is a rear elevational view thereof;

FIG. 4 is a left side elevational view thereof;

FIG. 5 is a right side elevational view thereof;

FIG. 6 is a top plan view thereof; and,

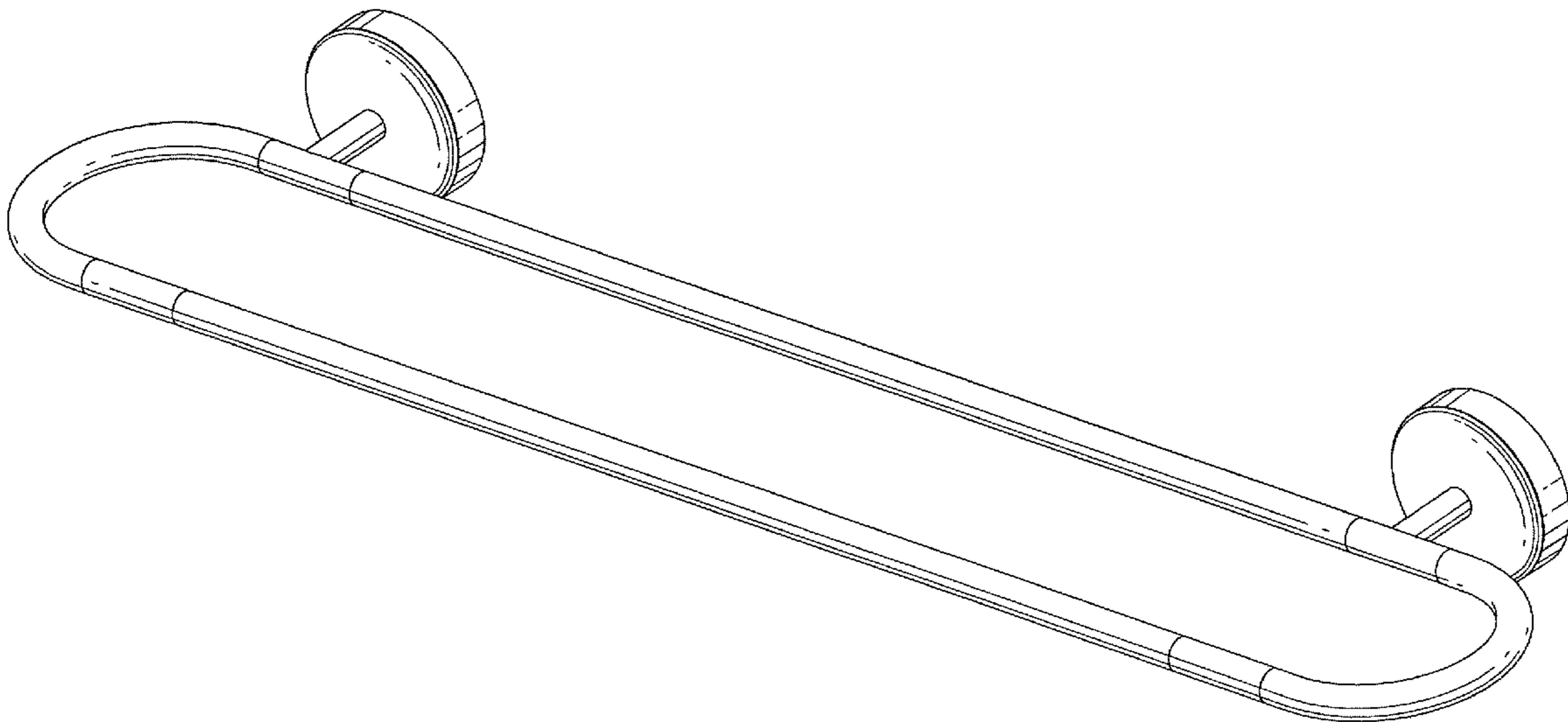
FIG. 7 is a bottom plan view thereof.

(56) **References Cited**

U.S. PATENT DOCUMENTS

D440,053 S \* 4/2001 Richter ..... D6/317  
D463,935 S \* 10/2002 Zhao ..... D6/549  
D516,850 S \* 3/2006 Shieh ..... D6/549  
D540,087 S \* 4/2007 Barry ..... D6/549

**1 Claim, 6 Drawing Sheets**



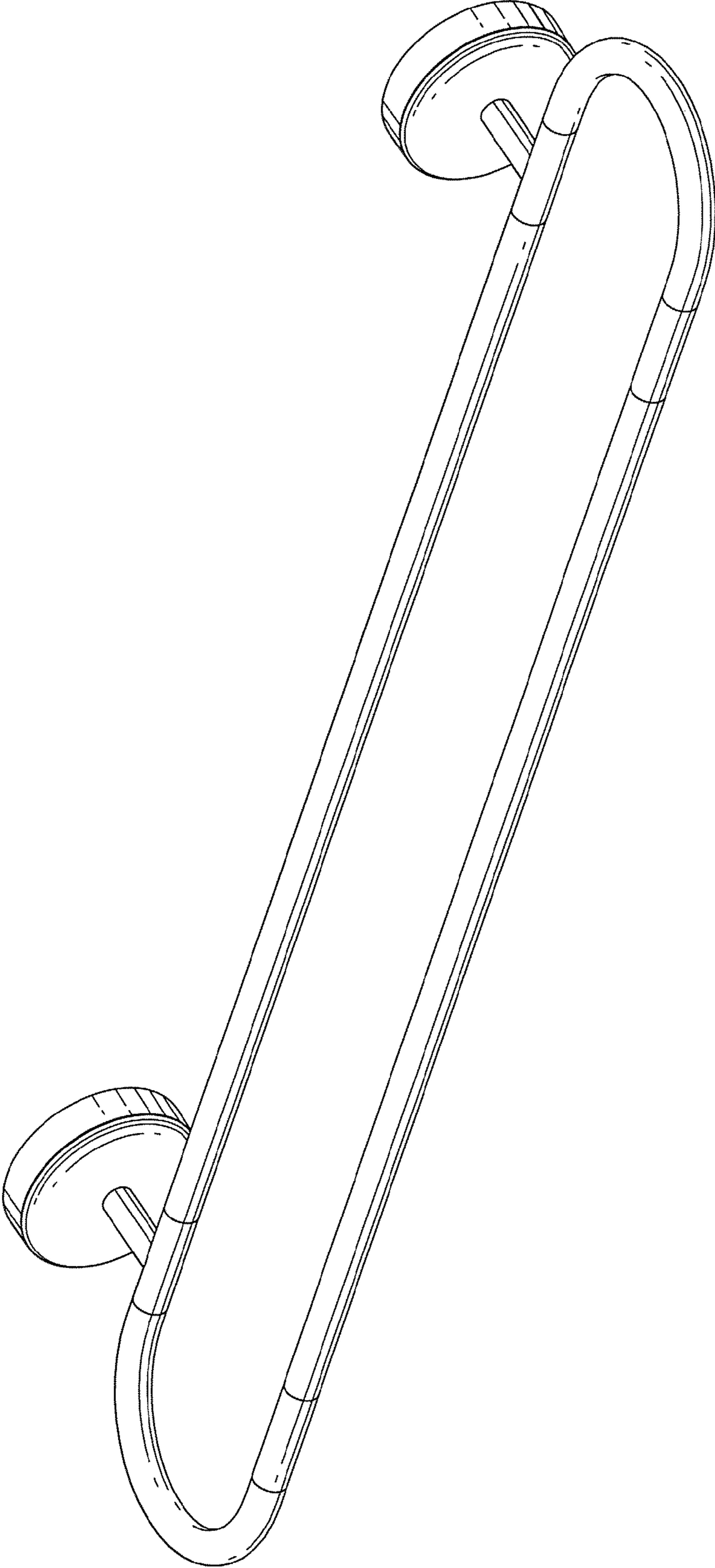


FIG. 1

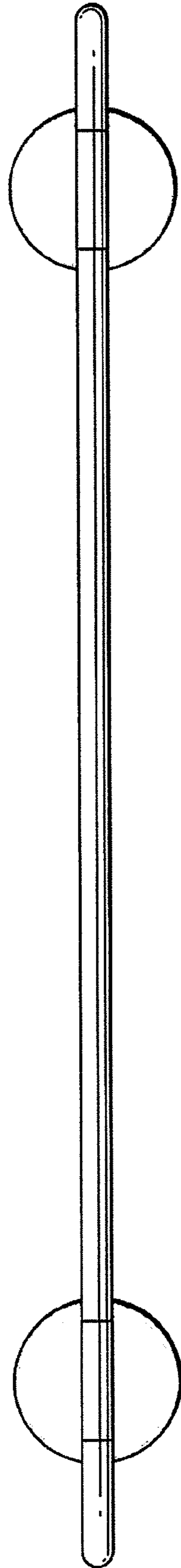


FIG. 2

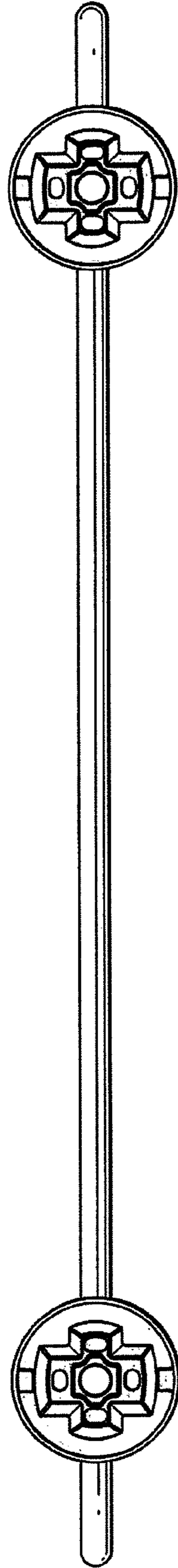


FIG. 3

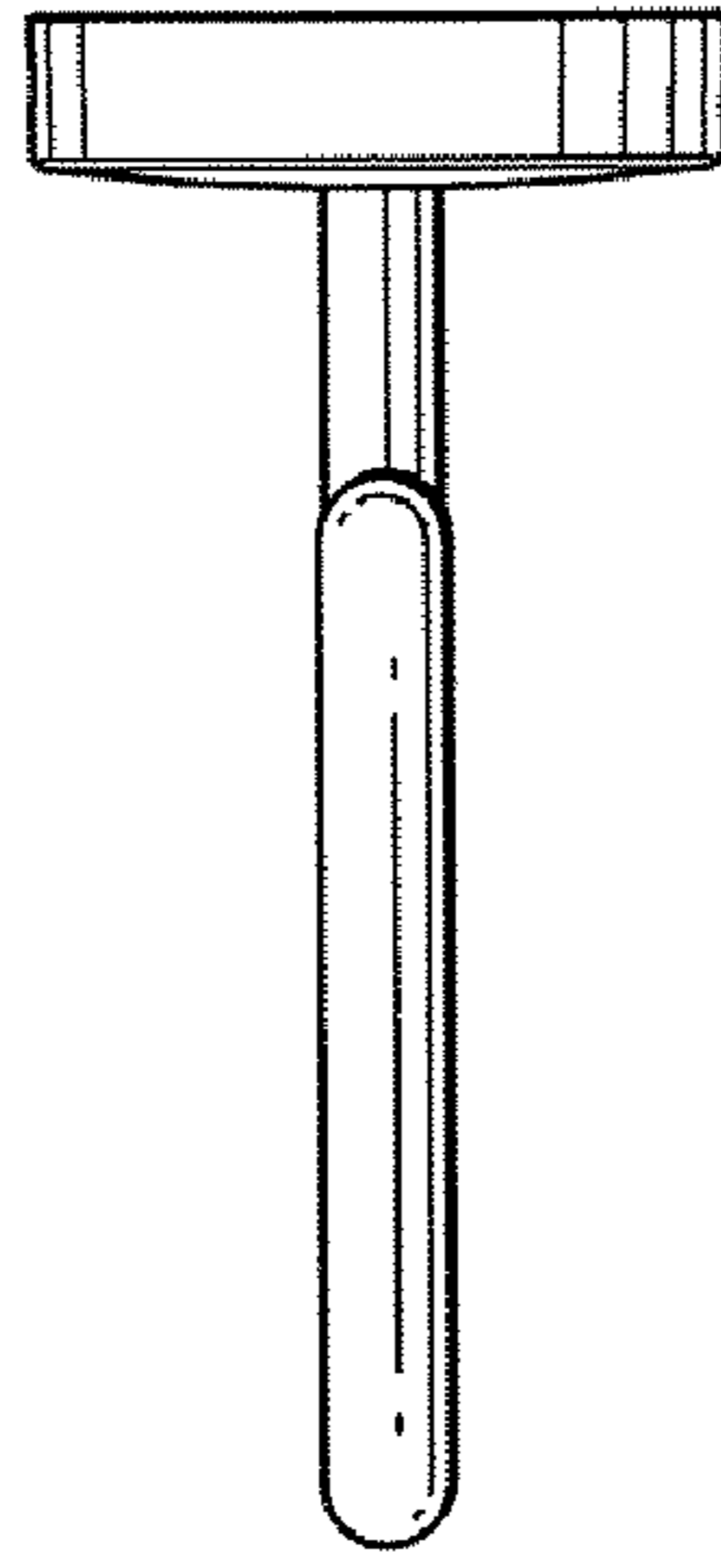


FIG. 5

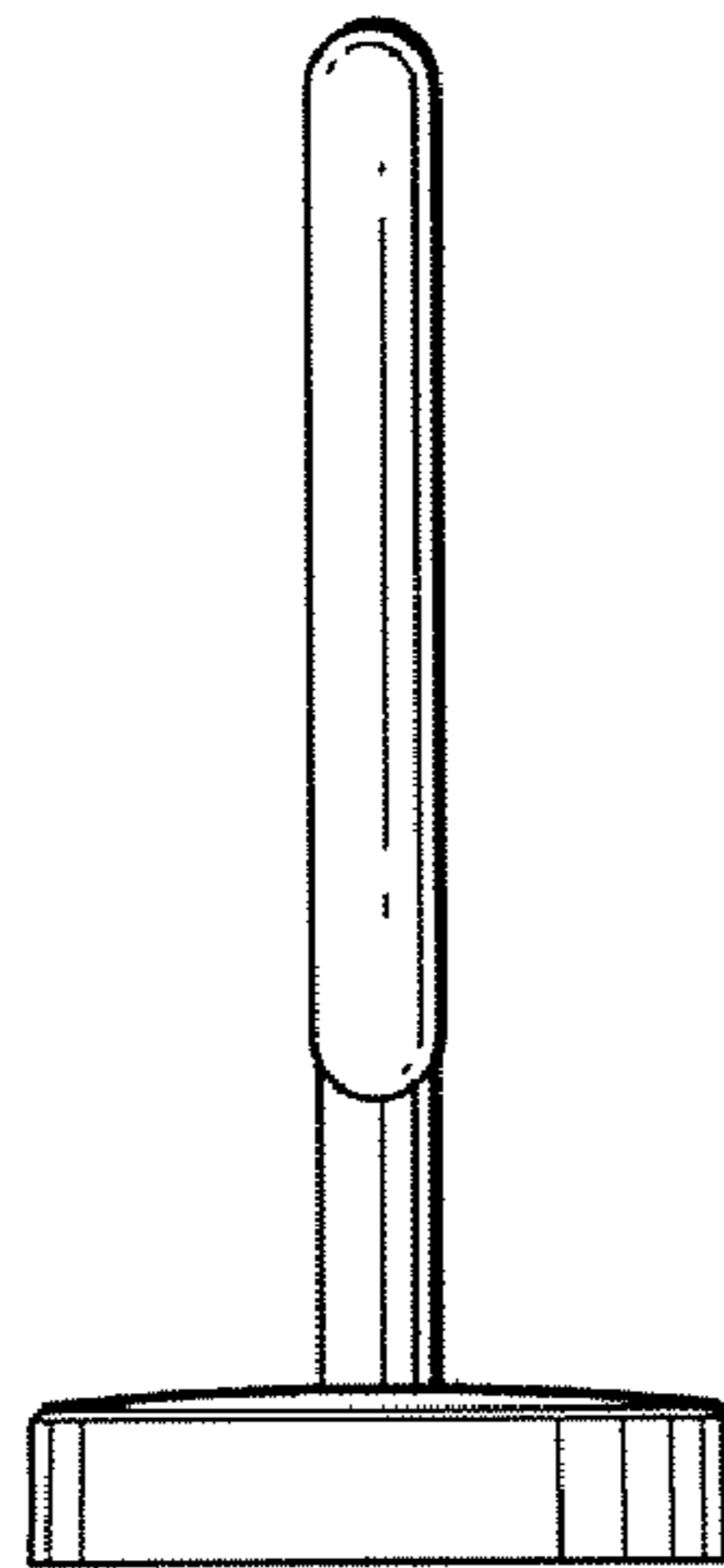


FIG. 4

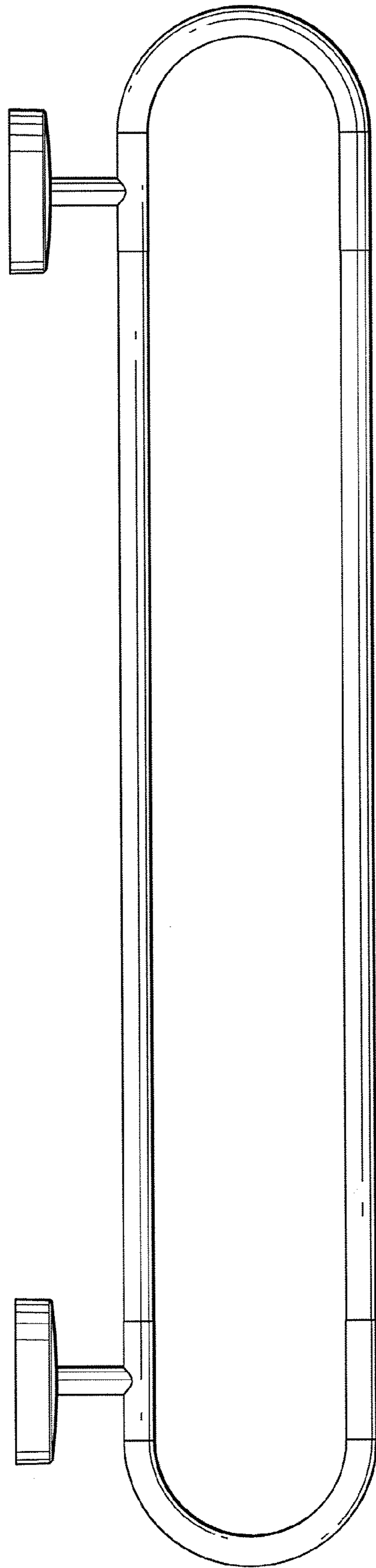


FIG. 6

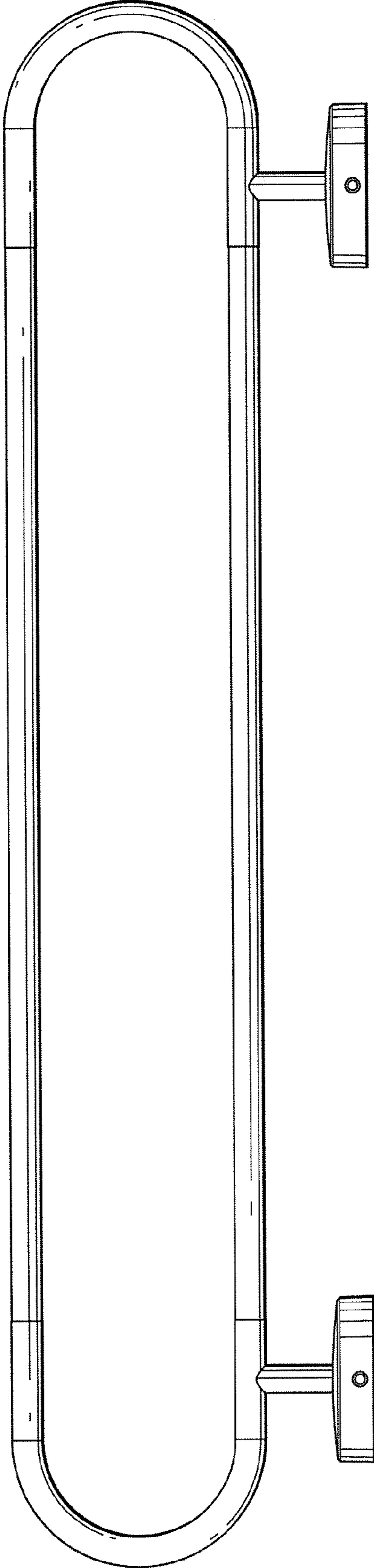


FIG. 7