



(12) **United States Design Patent**
Chu

(10) **Patent No.:** **US D599,566 S**
(45) **Date of Patent:** **** Sep. 8, 2009**

(54) **DIGITAL PHOTO FRAME**

(75) Inventor: **Chih-Ming Chu**, Taipei (TW)

(73) Assignee: **Hannspree, Inc.**, Taipei (TW)

(**) Term: **14 Years**

(21) Appl. No.: **29/323,490**

(22) Filed: **Aug. 26, 2008**

(51) **LOC (9) Cl.** **06-07**

(52) **U.S. Cl.** **D6/308; D6/310; D14/371**

(58) **Field of Classification Search** D6/300-314;
40/700, 768, 717, 714, 721, 735; D14/371,
D14/372, 448, 449, 450, 374, 381, 382, 336,
D14/337, 250, 146, 341, 496, 331; D20/10;
D10/24, 75, 2

See application file for complete search history.

(56) **References Cited**

U.S. PATENT DOCUMENTS

D448,376 S *	9/2001	Lee	D14/374
D568,055 S *	5/2008	Fernandez	D6/308
D570,610 S *	6/2008	Chuang	D6/300
D572,023 S *	7/2008	Park	D6/300
D572,025 S *	7/2008	Kwon	D6/308

* cited by examiner

Primary Examiner—Caron Veynar
Assistant Examiner—Sydney R Buffalow
(74) *Attorney, Agent, or Firm*—Schmeiser, Olsen & Watts, LLP

(57) **CLAIM**

The ornamental design for a digital photo frame, as shown and described.

DESCRIPTION

FIG. 1 is a rear perspective view of a digital photo frame showing my new design;

FIG. 2 is a front elevational view thereof;

FIG. 3 is a rear elevational view thereof;

FIG. 4 is a left side elevational view thereof;

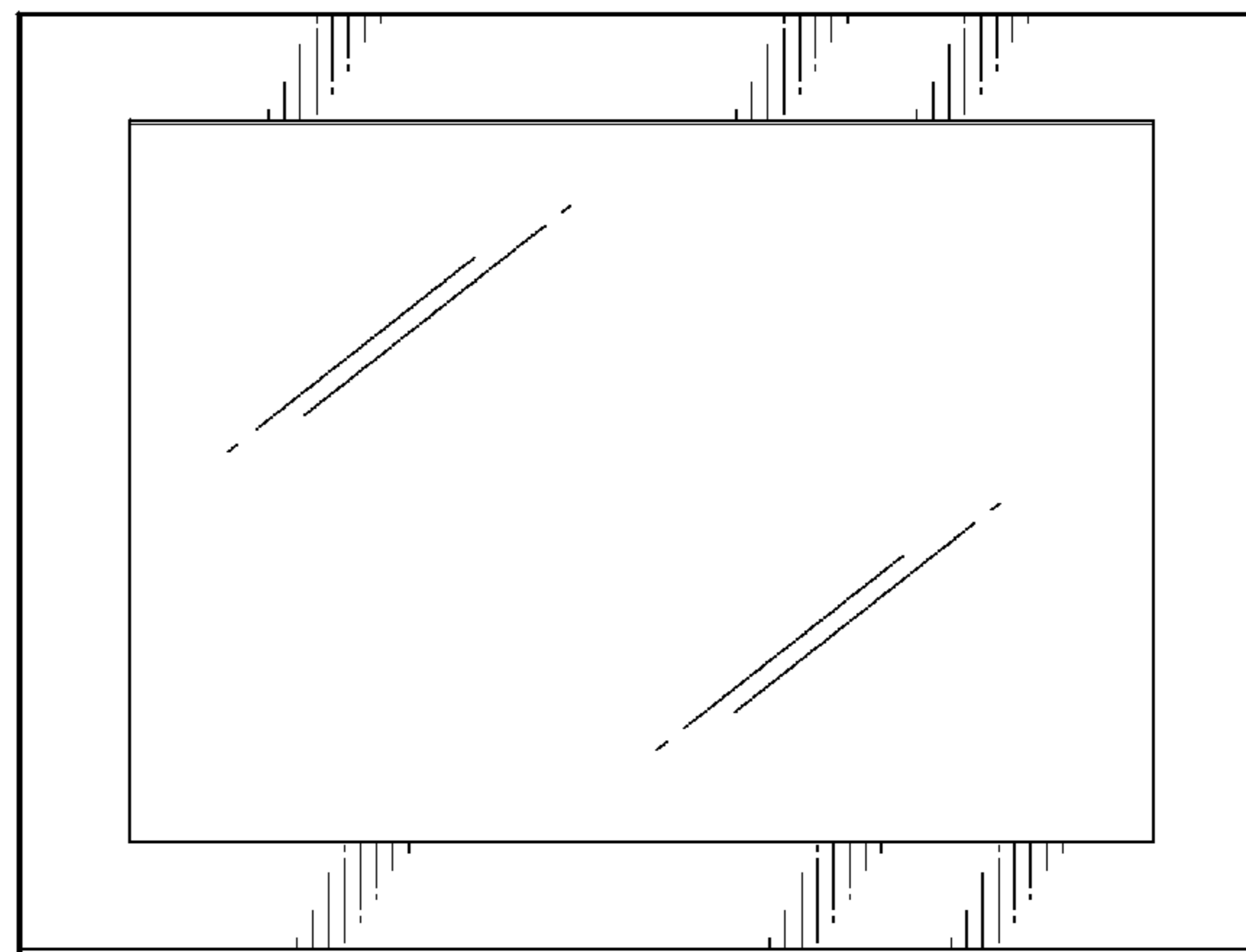
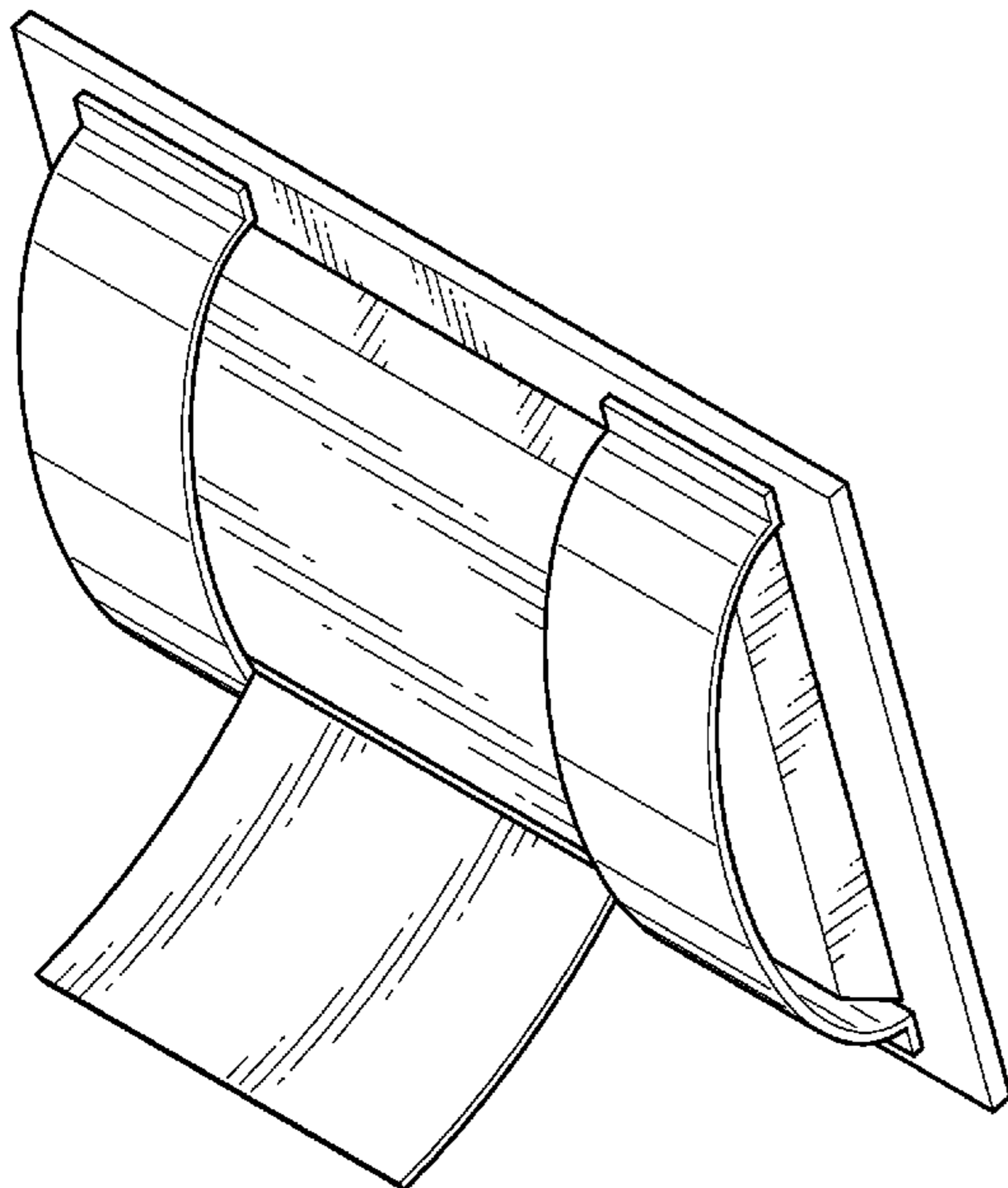
FIG. 5 is a right side elevational view thereof;

FIG. 6 is a top plan view thereof;

FIG. 7 is a bottom plan view thereof; and,

FIG. 8 is a bottom perspective view of a digital photo frame showing alternative position of frame stand.

1 Claim, 5 Drawing Sheets



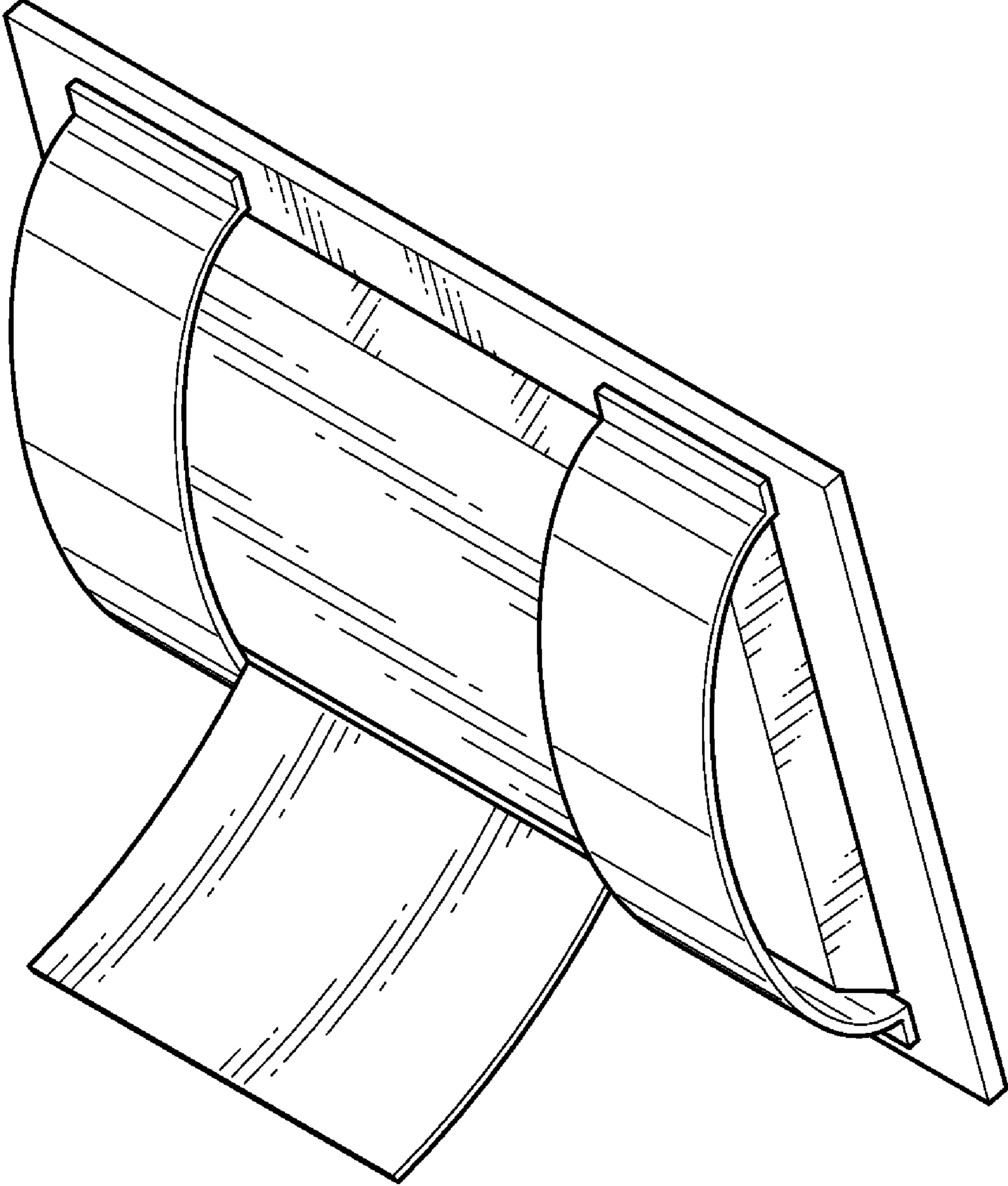


FIG.1

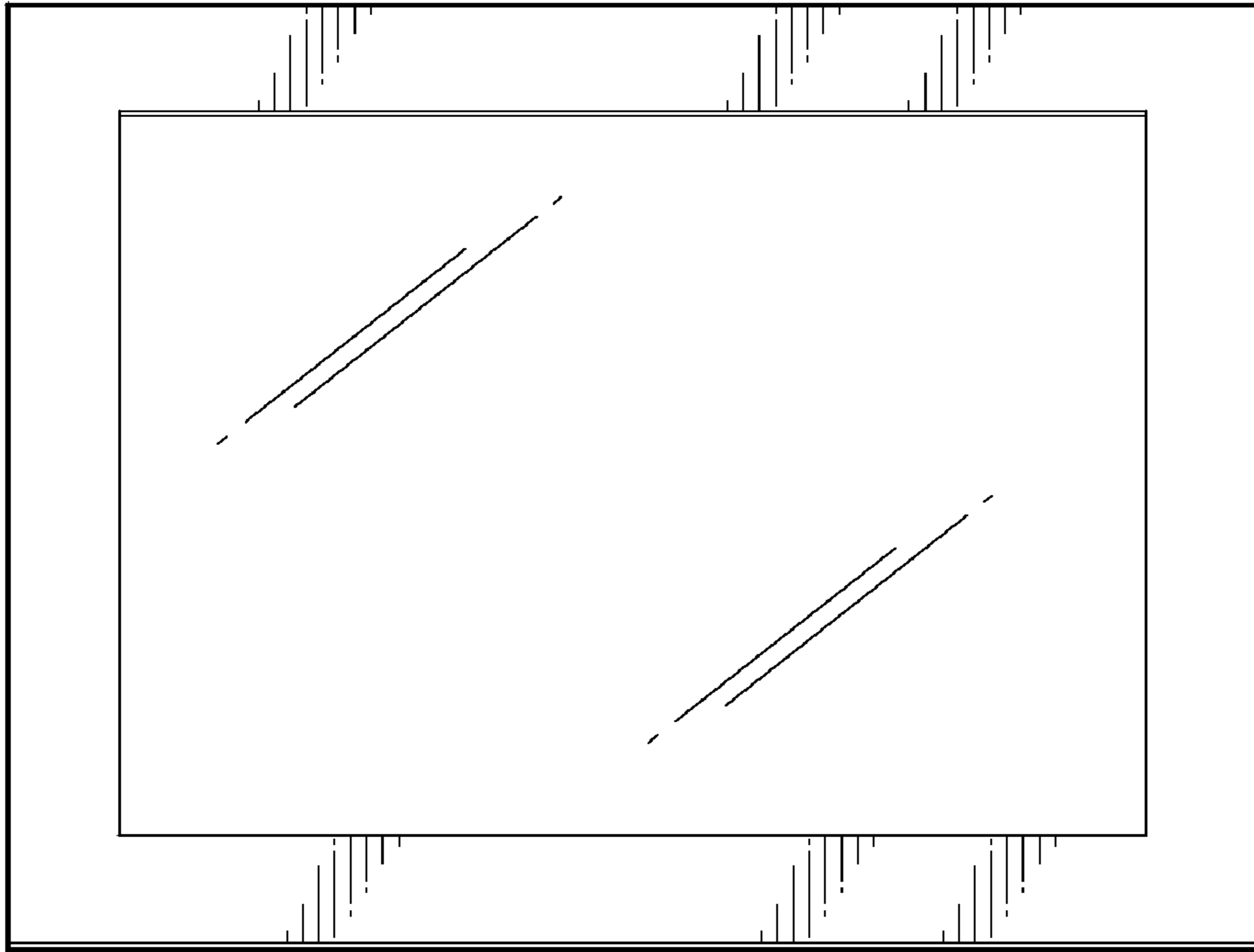


FIG. 2

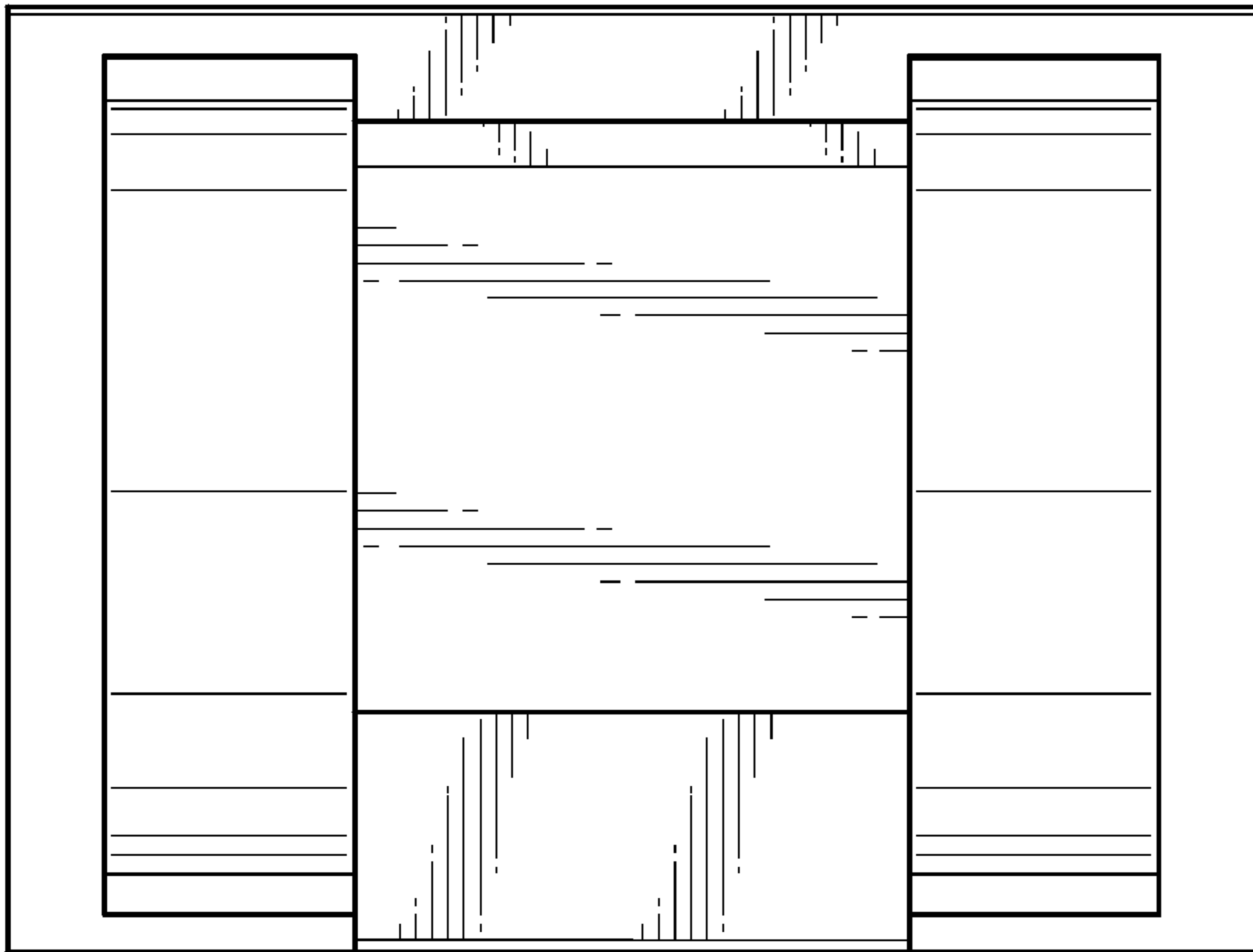


FIG. 3

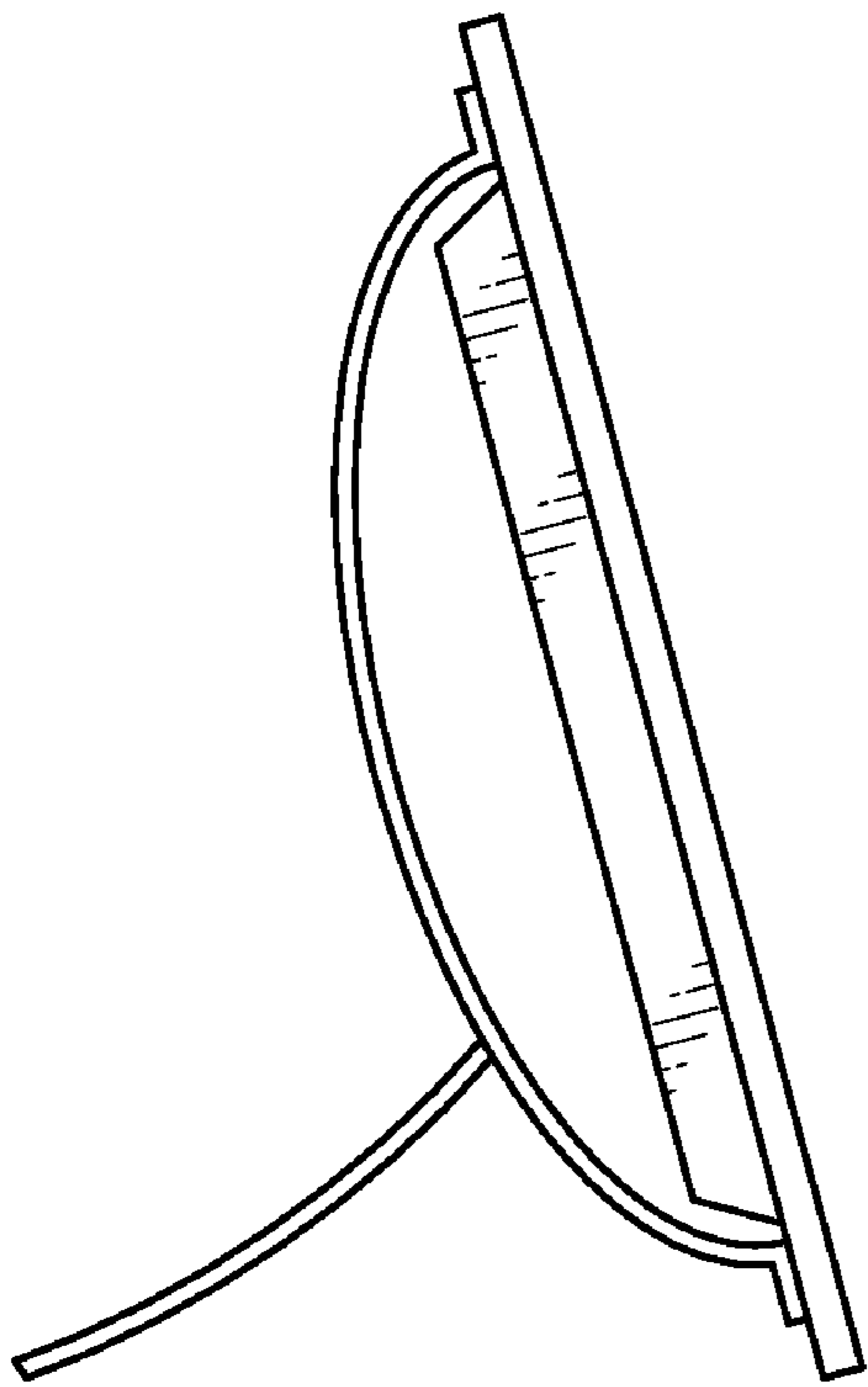


FIG. 4

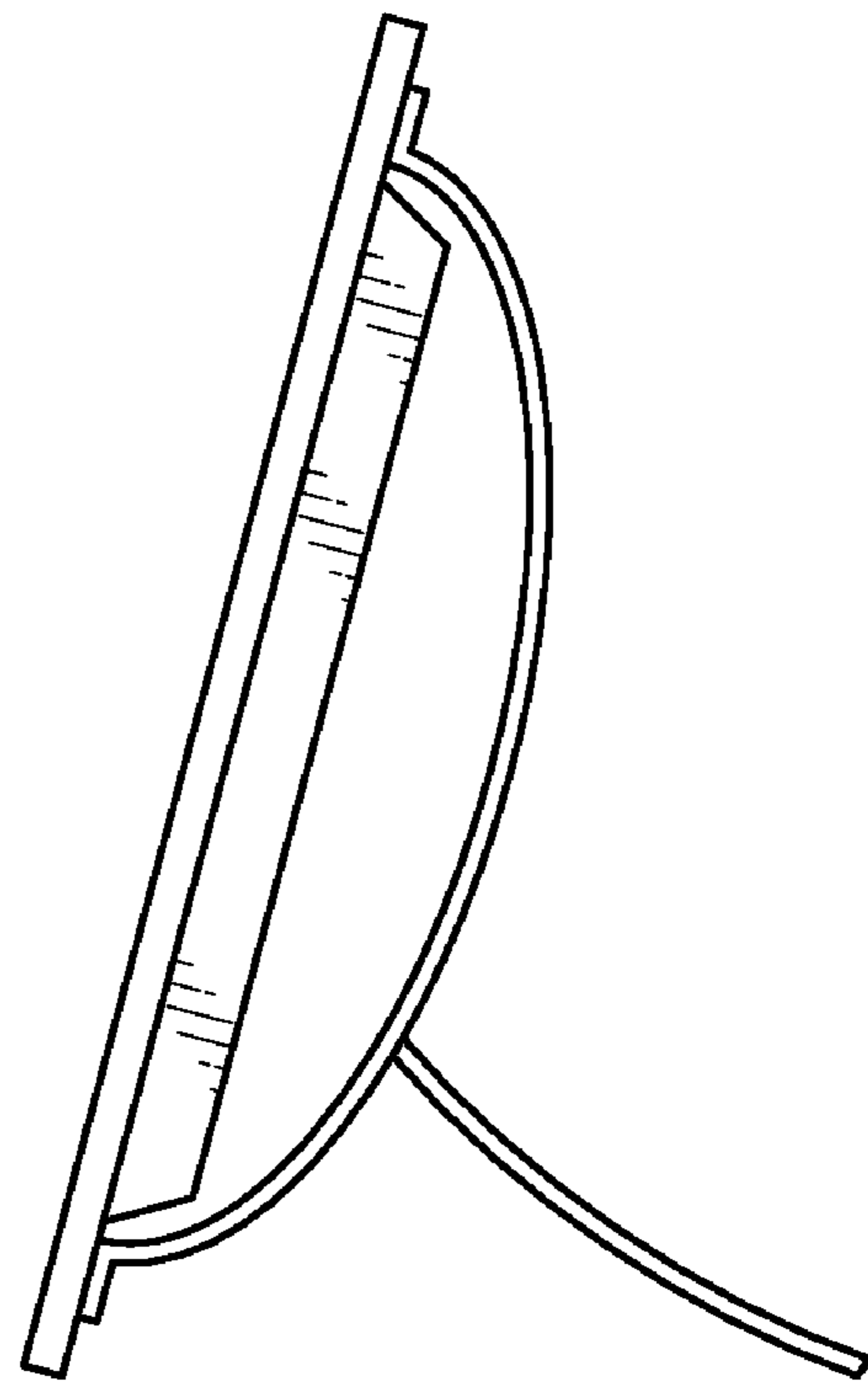


FIG. 5

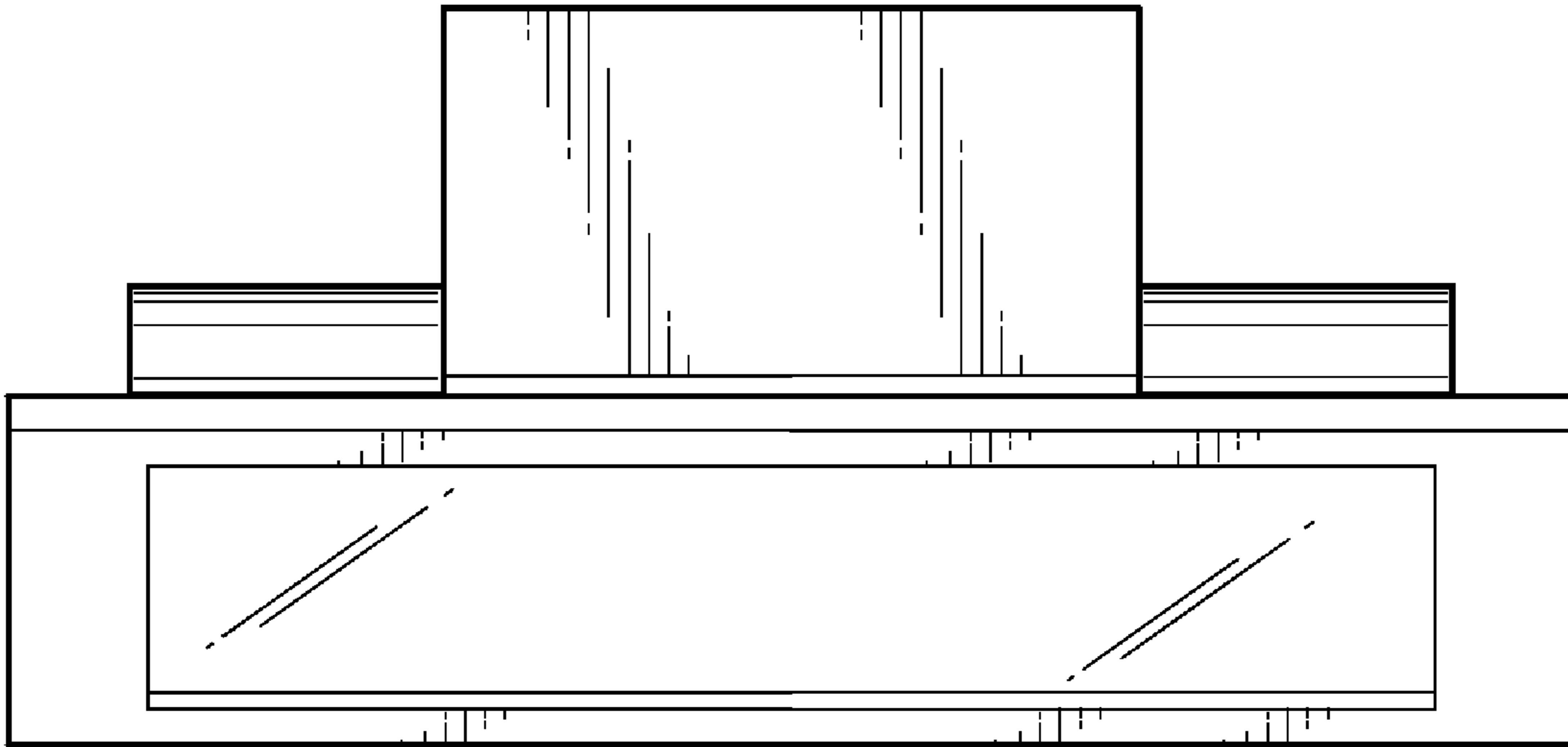


FIG. 6

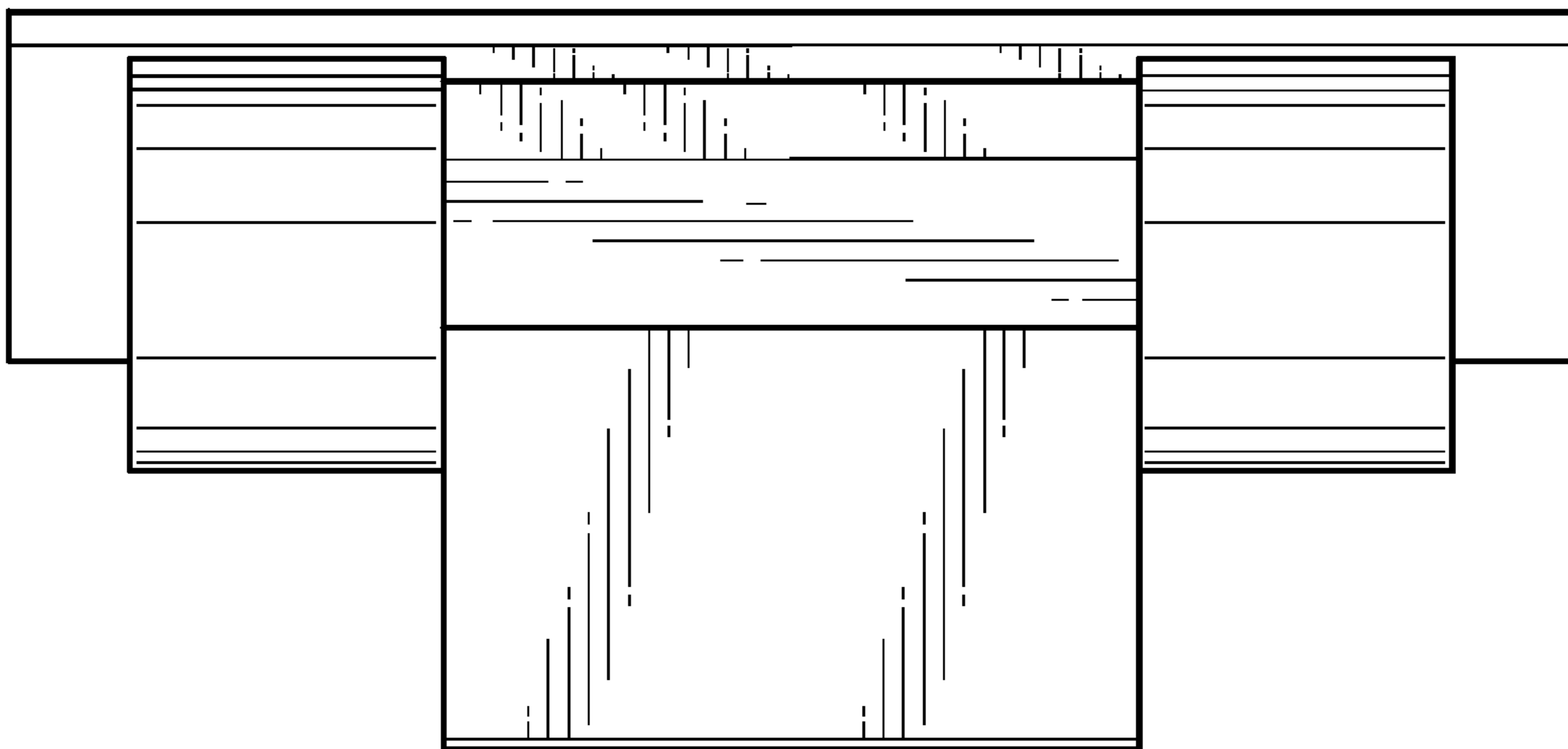


FIG. 7

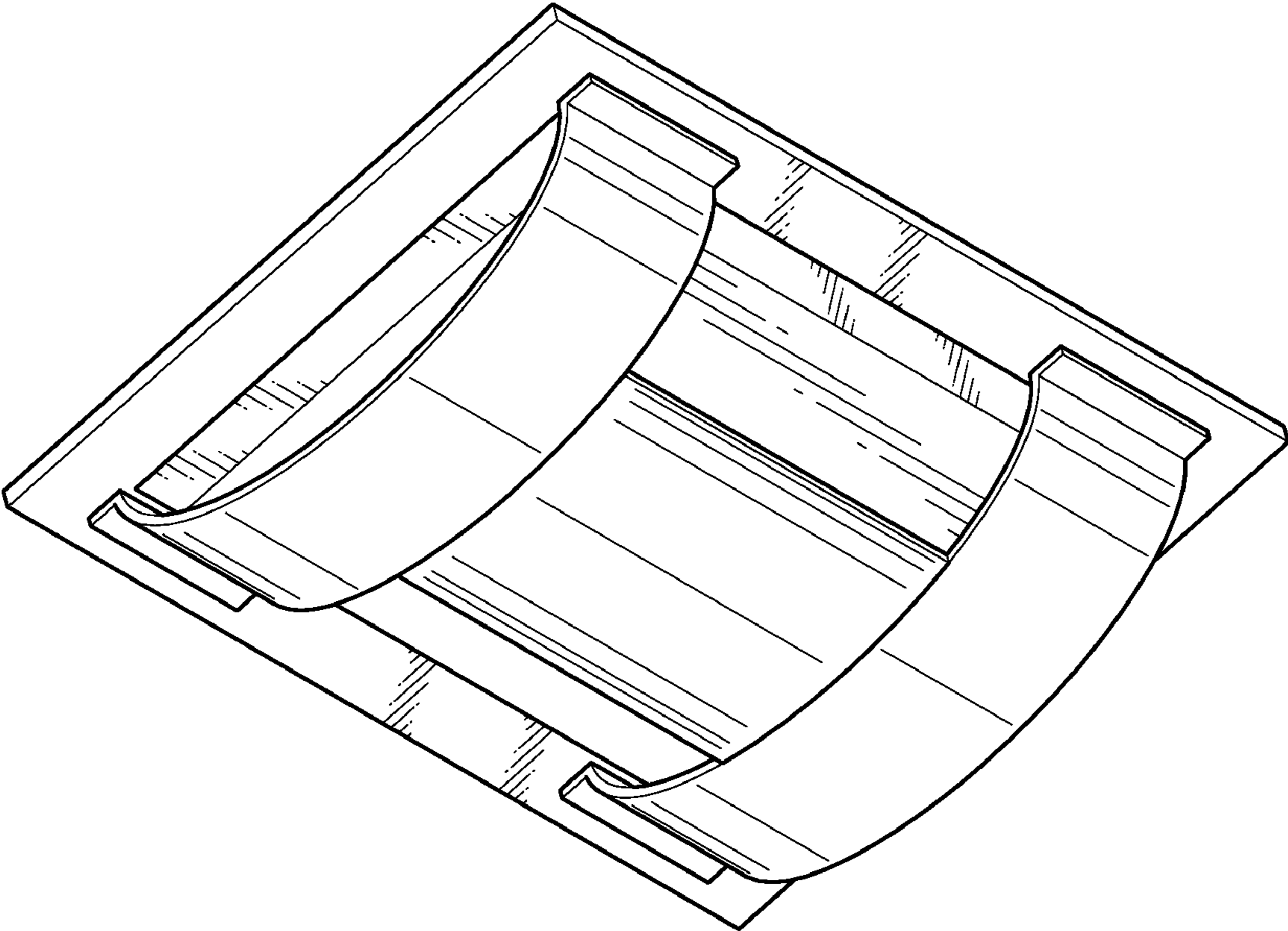


FIG.8