



US00D599560S

(12) **United States Design Patent**
Sharma

(10) **Patent No.:** **US D599,560 S**

(45) **Date of Patent:** **** Sep. 8, 2009**

(54) **DECORATIVE STREAMER**

(75) Inventor: **Alok Sharma**, Calgary (CA)

(73) Assignee: **965207 Alberta Ltd.**, Calgary, Alberta (CA)

(**) Term: **14 Years**

(21) Appl. No.: **29/300,396**

(22) Filed: **Mar. 21, 2008**

(51) **LOC (9) Cl.** **05-02**

(52) **U.S. Cl.** **D5/59**

(58) **Field of Classification Search** D5/59,
D5/60, 61, 62, 63, 64, 65; D11/165, 166,
D11/167, 168, 169, 170, 171, 172, 173, 174,
D11/175, 178, 179, 180, 181, 182, 183, 184;
D12/114, 178; D20/11; D21/400; 28/147;
116/173, 174, 175; 428/4, 28, 104; 446/475
See application file for complete search history.

(56) **References Cited**

U.S. PATENT DOCUMENTS

2,663,106	A *	12/1953	Owen	428/104
5,702,284	A *	12/1997	Gallegos	446/475
D410,417	S *	6/1999	Hamowy	D12/114
D410,871	S *	6/1999	Hamowy	D12/114
D414,722	S *	10/1999	Hamowy	D12/114
D488,091	S *	4/2004	Hunsley	D11/181
6,748,896	B2 *	6/2004	Hunsley	116/173
2003/0196584	A1 *	10/2003	Hunsley	116/173

* cited by examiner

Primary Examiner—Robert M Spear

Assistant Examiner—Barbara B Lohr

(74) *Attorney, Agent, or Firm*—George A. Seaby

(57) **CLAIM**

The ornamental design for a decorative streamer, as shown and described.

DESCRIPTION

FIG. 1 is a perspective view of the streamer as seen from above or below;

FIG. 2 is a top view thereof;

FIG. 3 is a perspective view of a second embodiment of the streamer as seen from above or below;

FIG. 4 is a top view of the streamer of FIG. 3;

FIG. 5 is a perspective view of a third embodiment of the streamer as seen from above or below;

FIG. 6 is a top view of the streamer of FIG. 5;

FIG. 7 is a perspective view of a fourth embodiment of the streamer as seen from above or below;

FIG. 8 is top view of the streamer of FIG. 7;

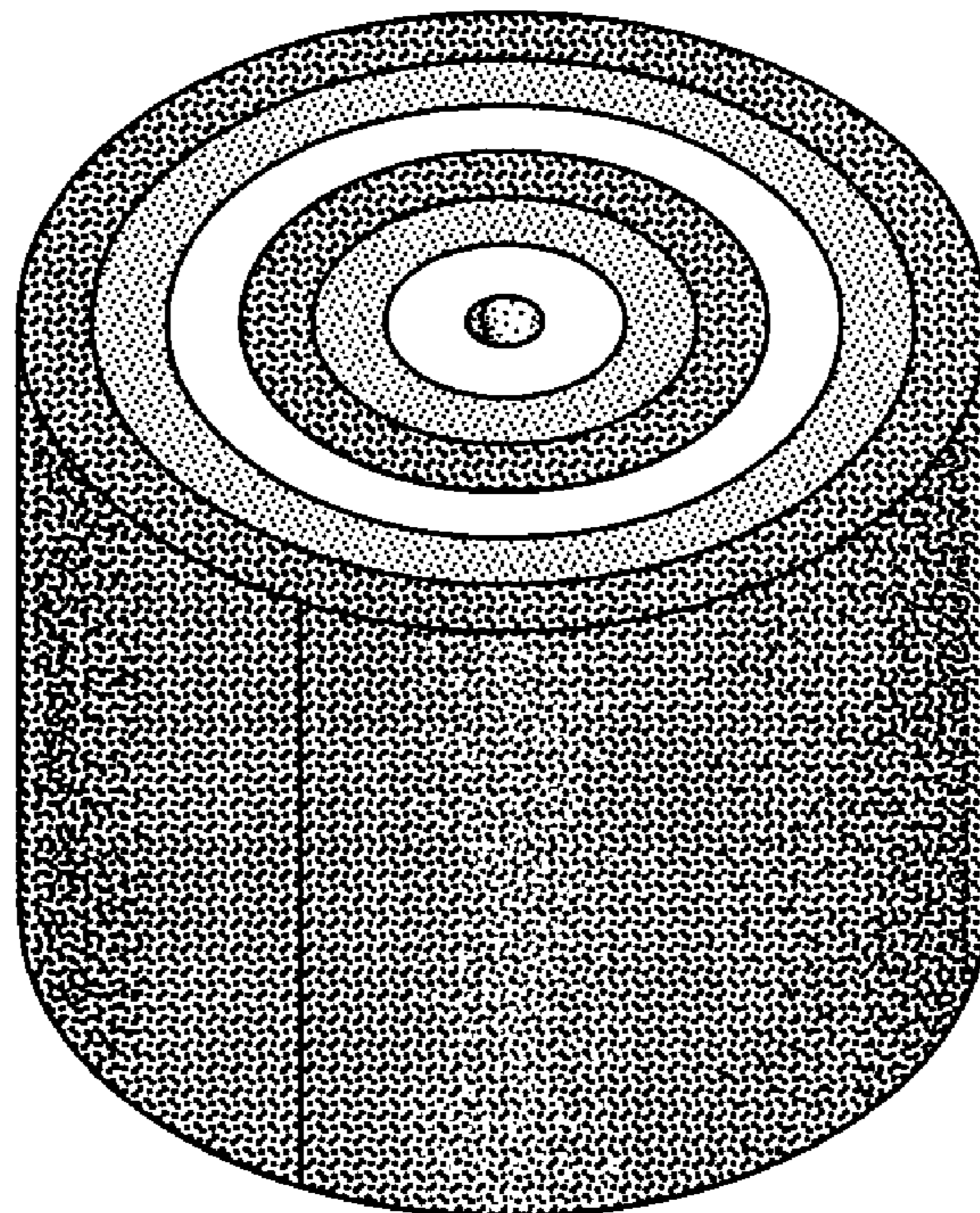
FIG. 9 is a perspective view of a fifth embodiment of the streamer as seen from above or below;

FIG. 10 is a top view of the streamer of FIG. 9;

FIG. 11 is a perspective view of a sixth embodiment of the streamer as seen from above or below; and,

FIG. 12 is a top view of the streamer of FIG. 11.

1 Claim, 6 Drawing Sheets



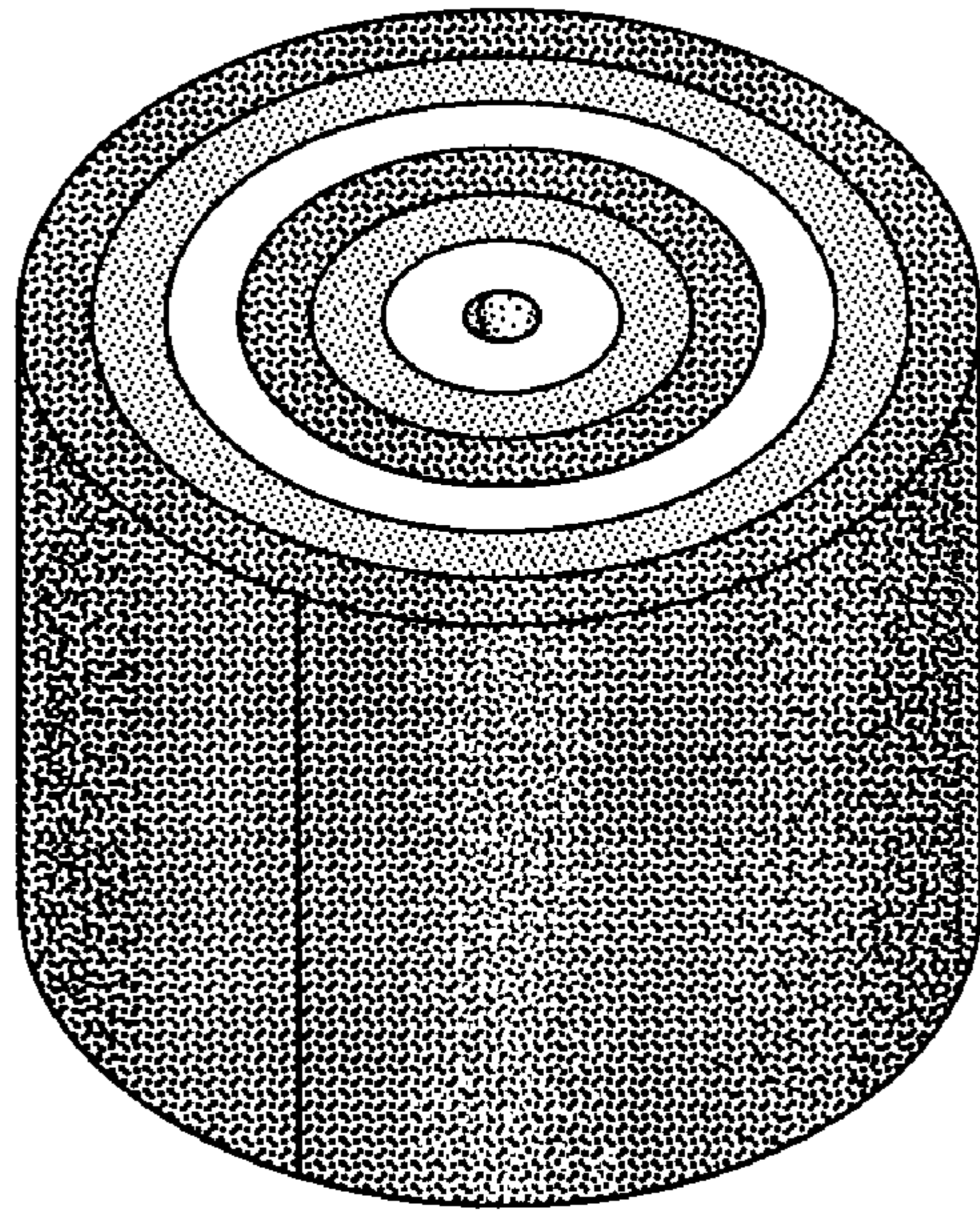


FIG. 1

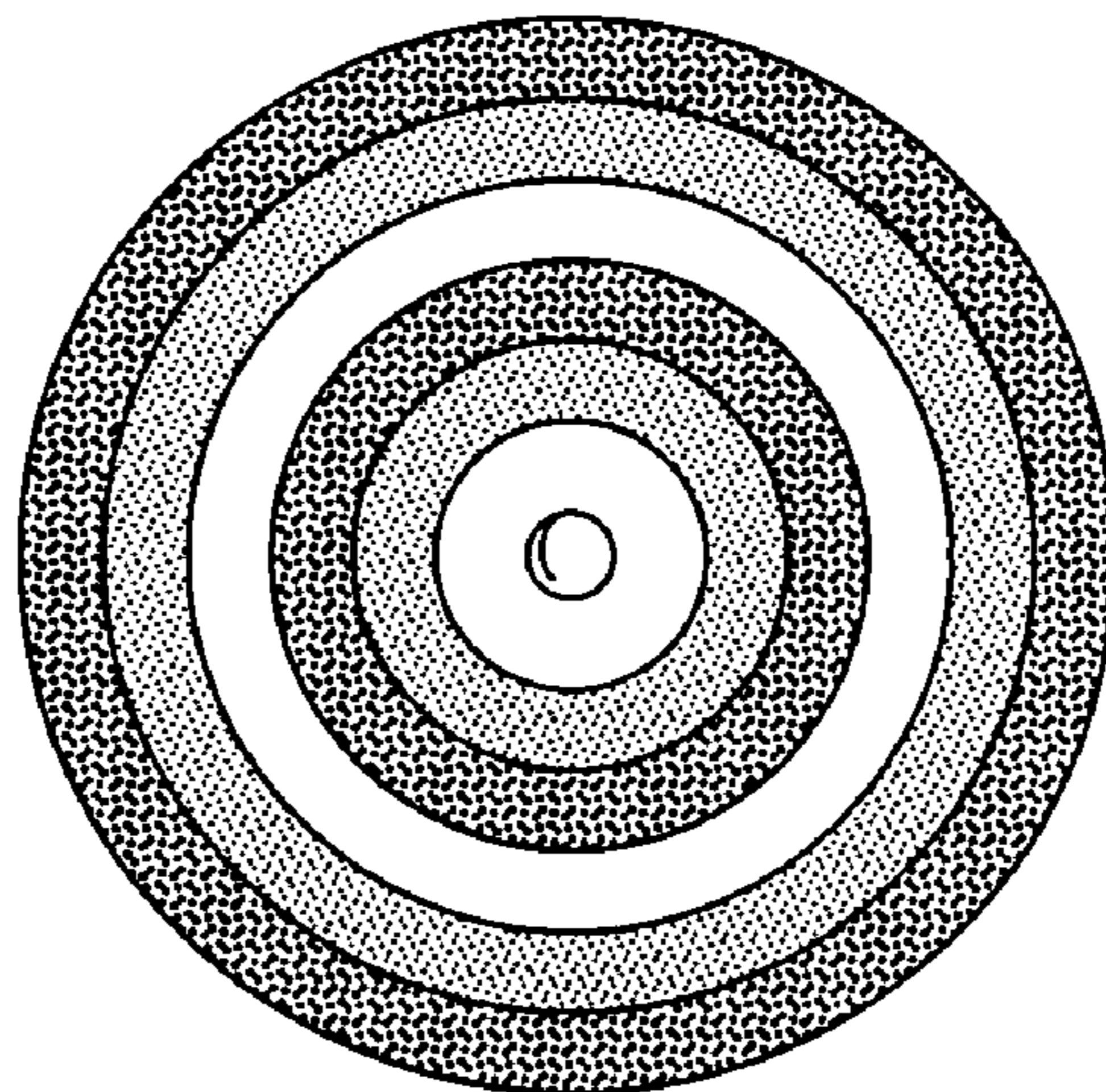


FIG. 2

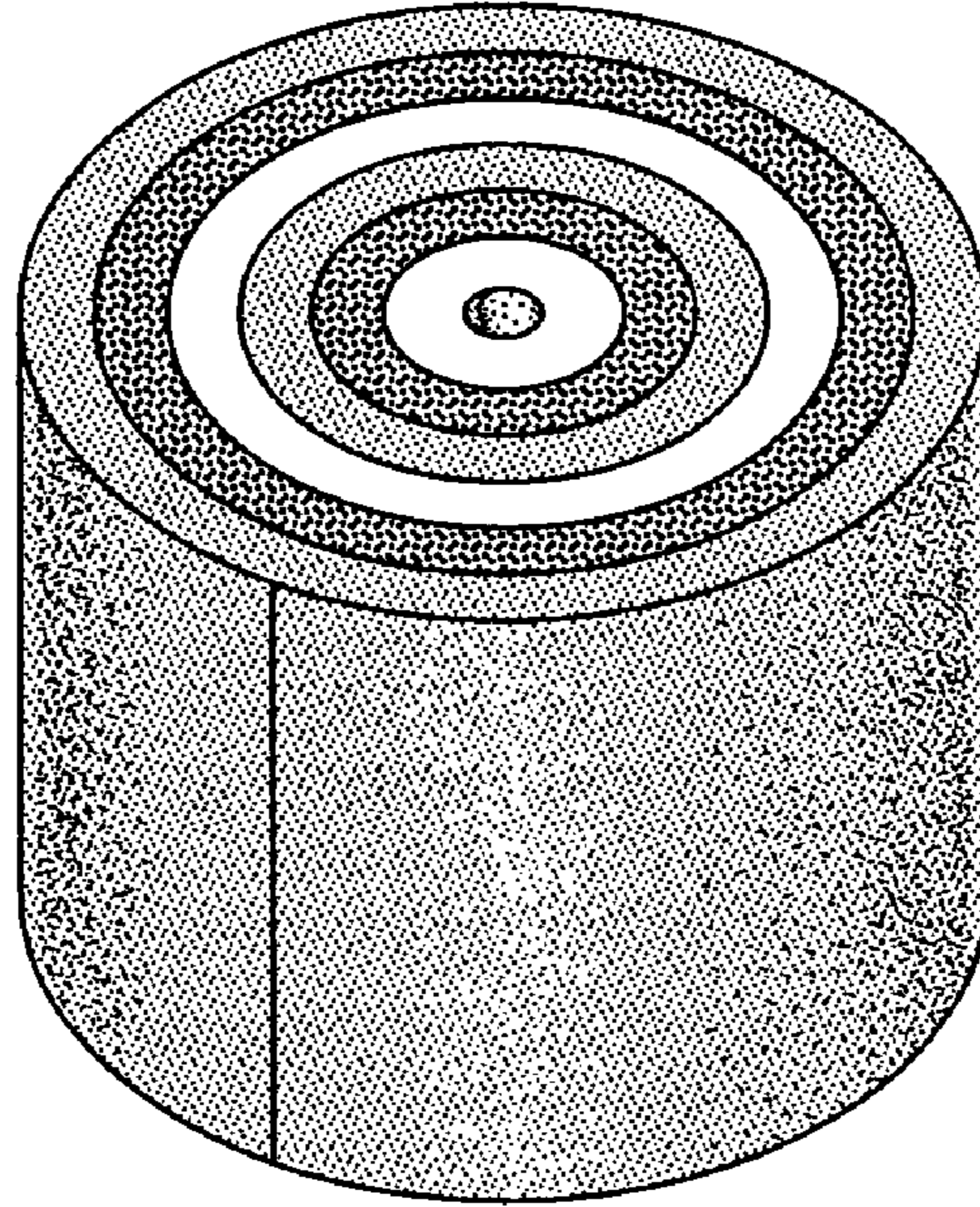


FIG. 3

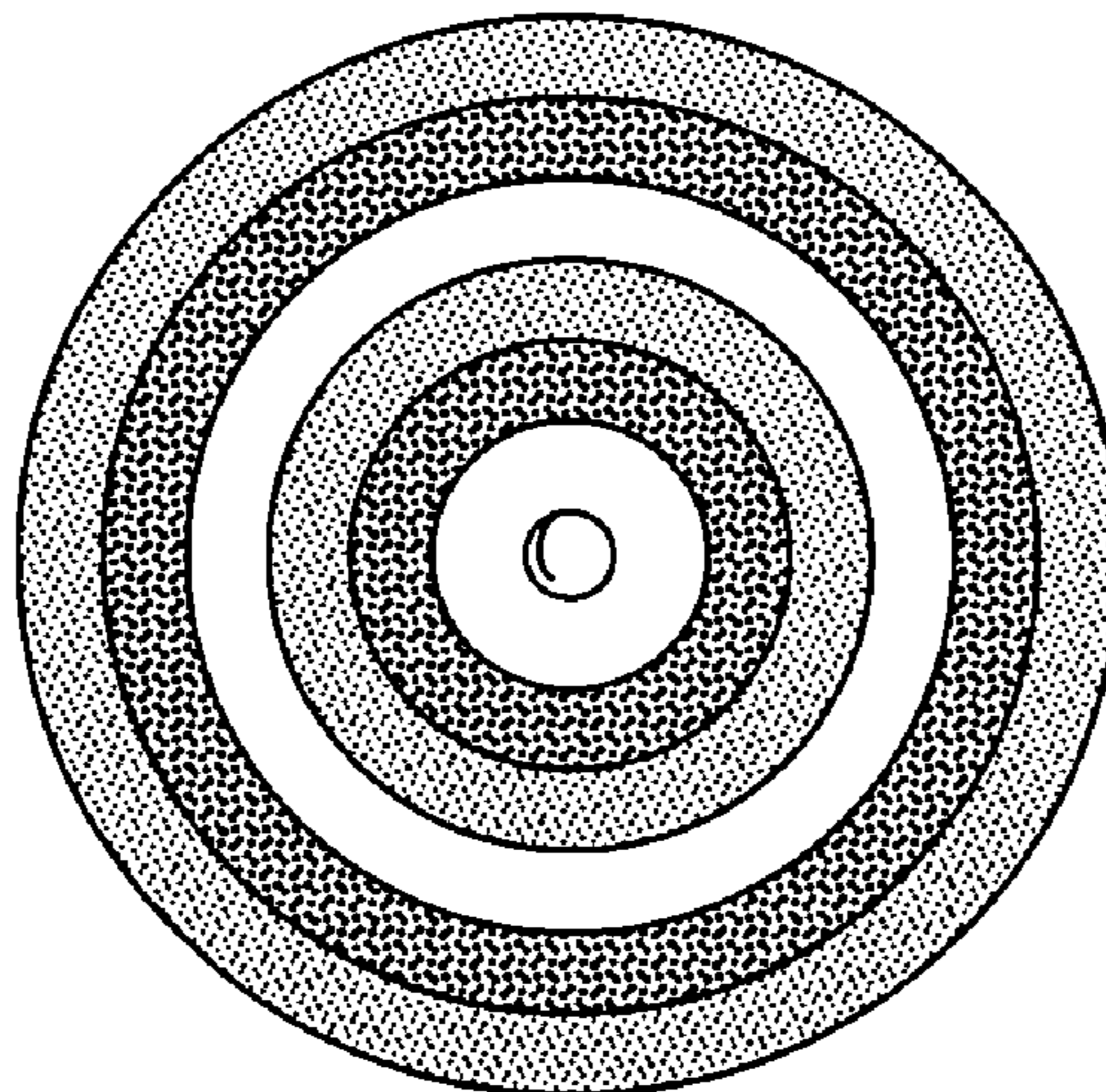


FIG. 4

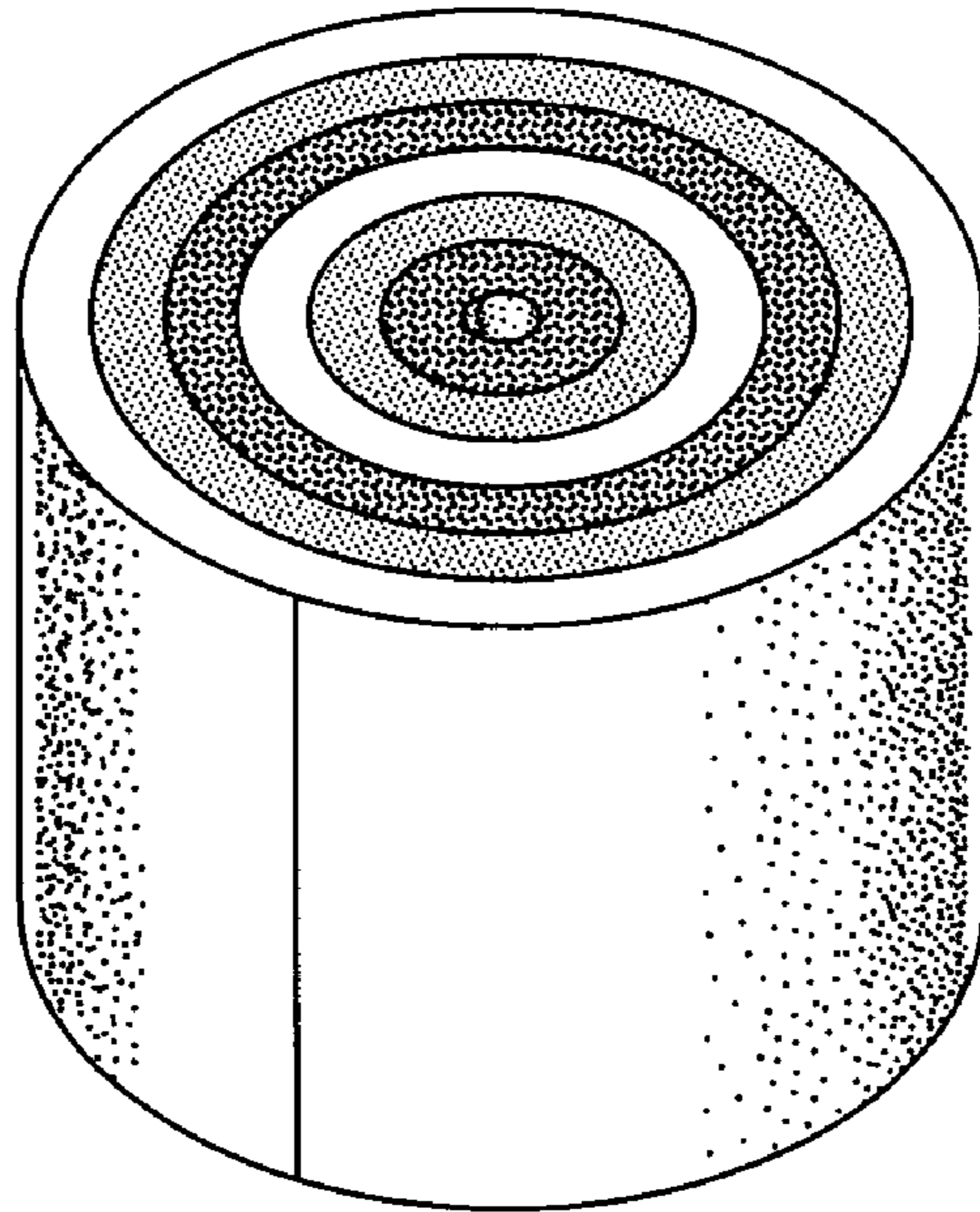


FIG. 5

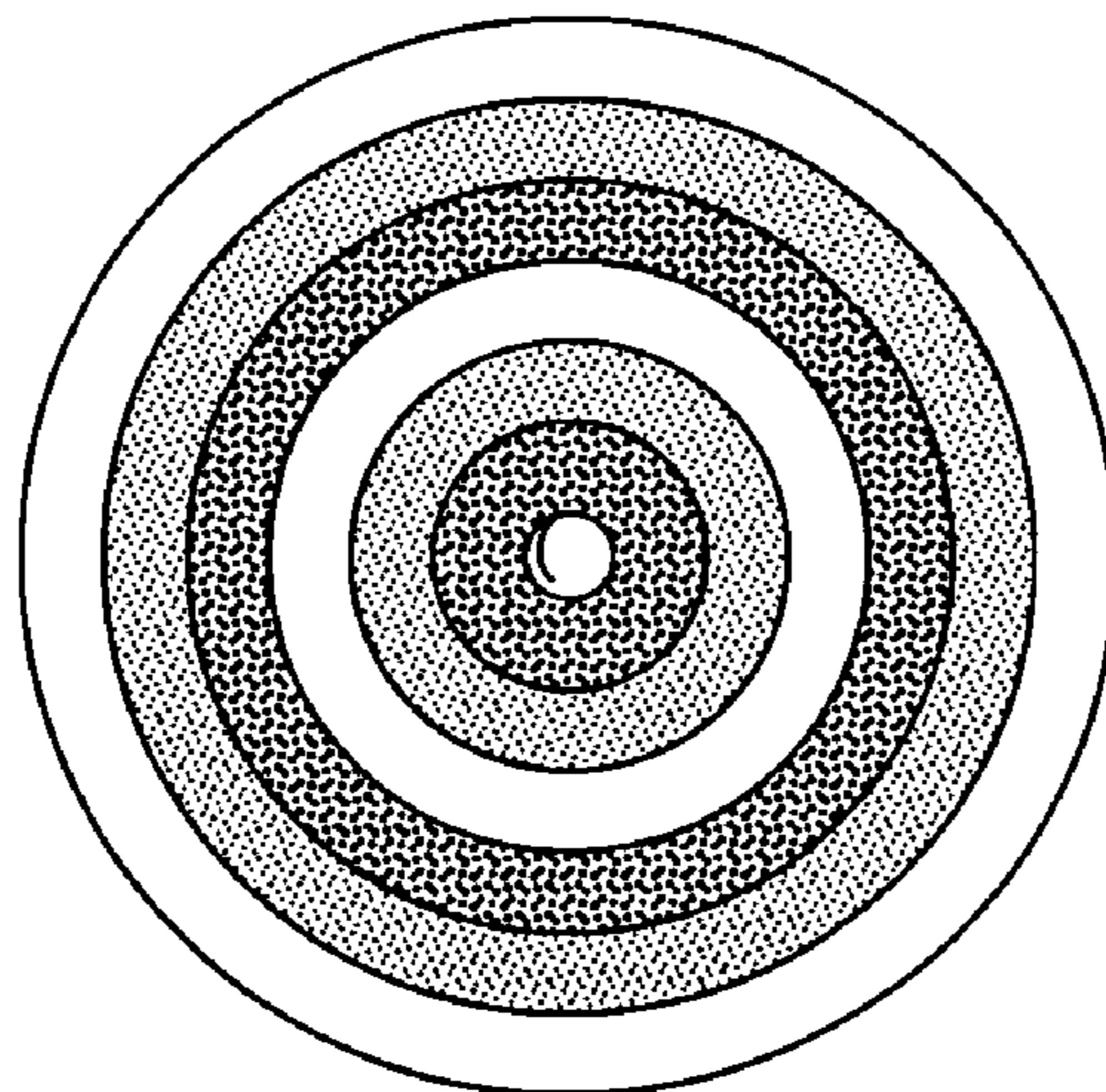


FIG. 6

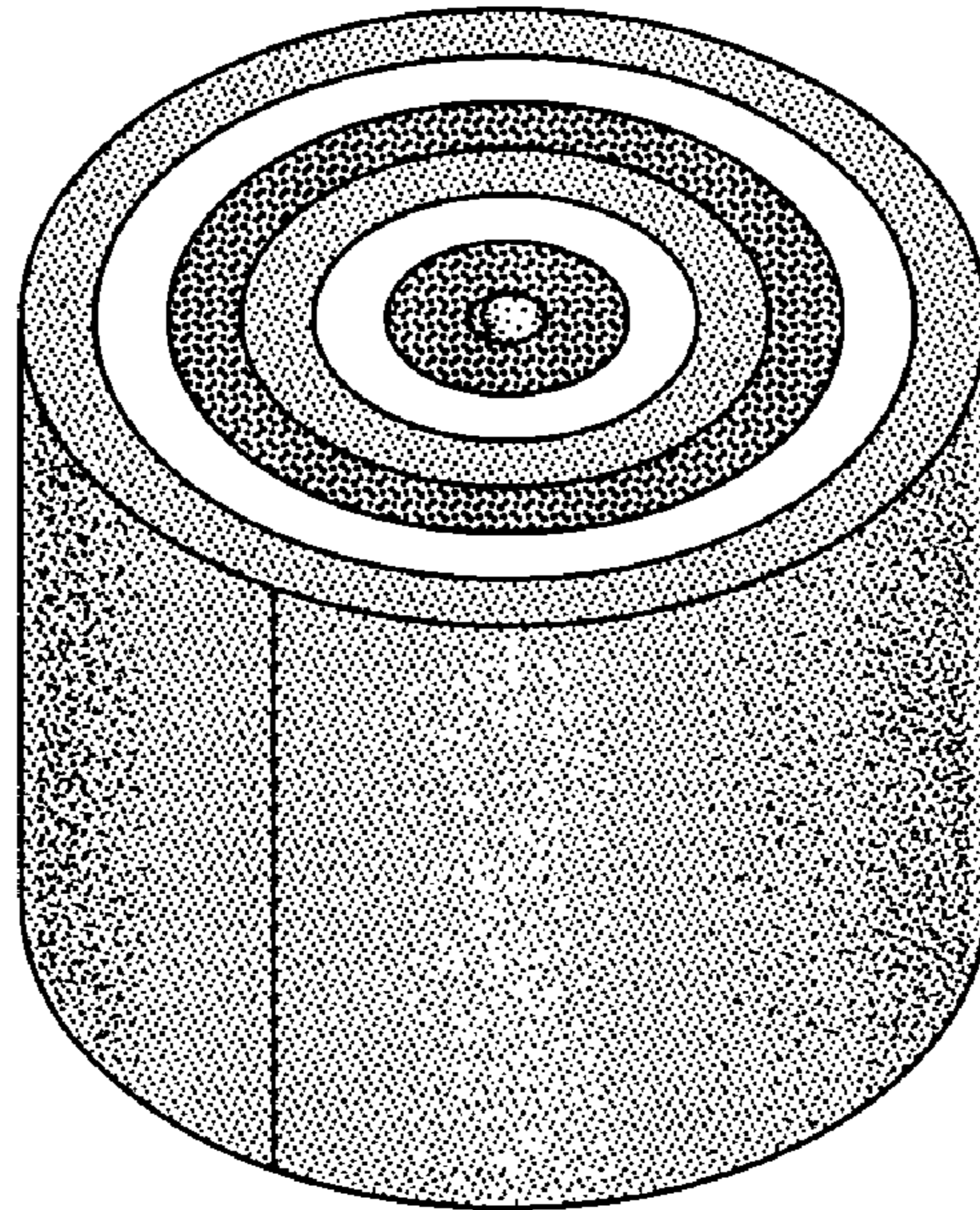


FIG. 7

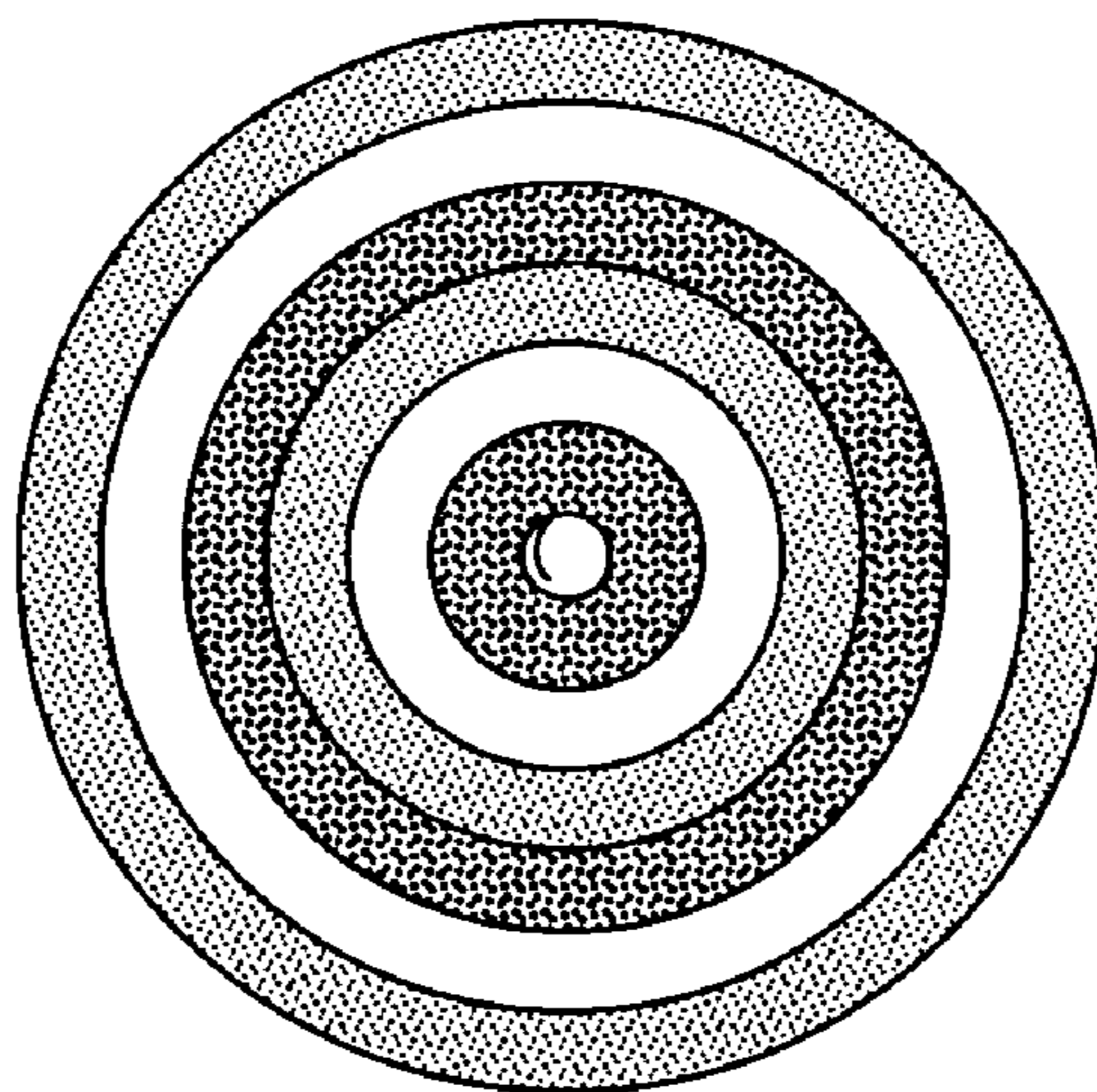


FIG. 8

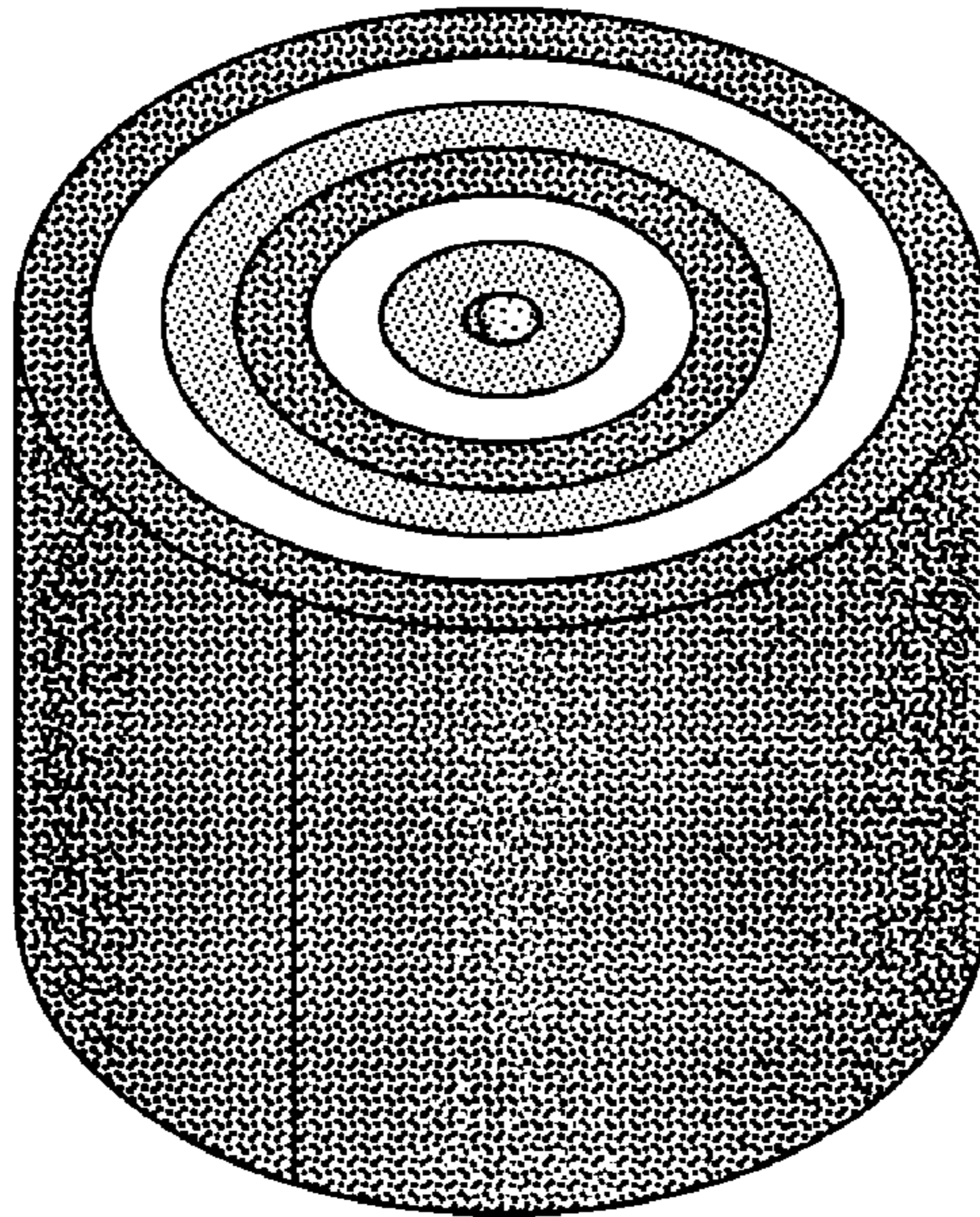


FIG. 9

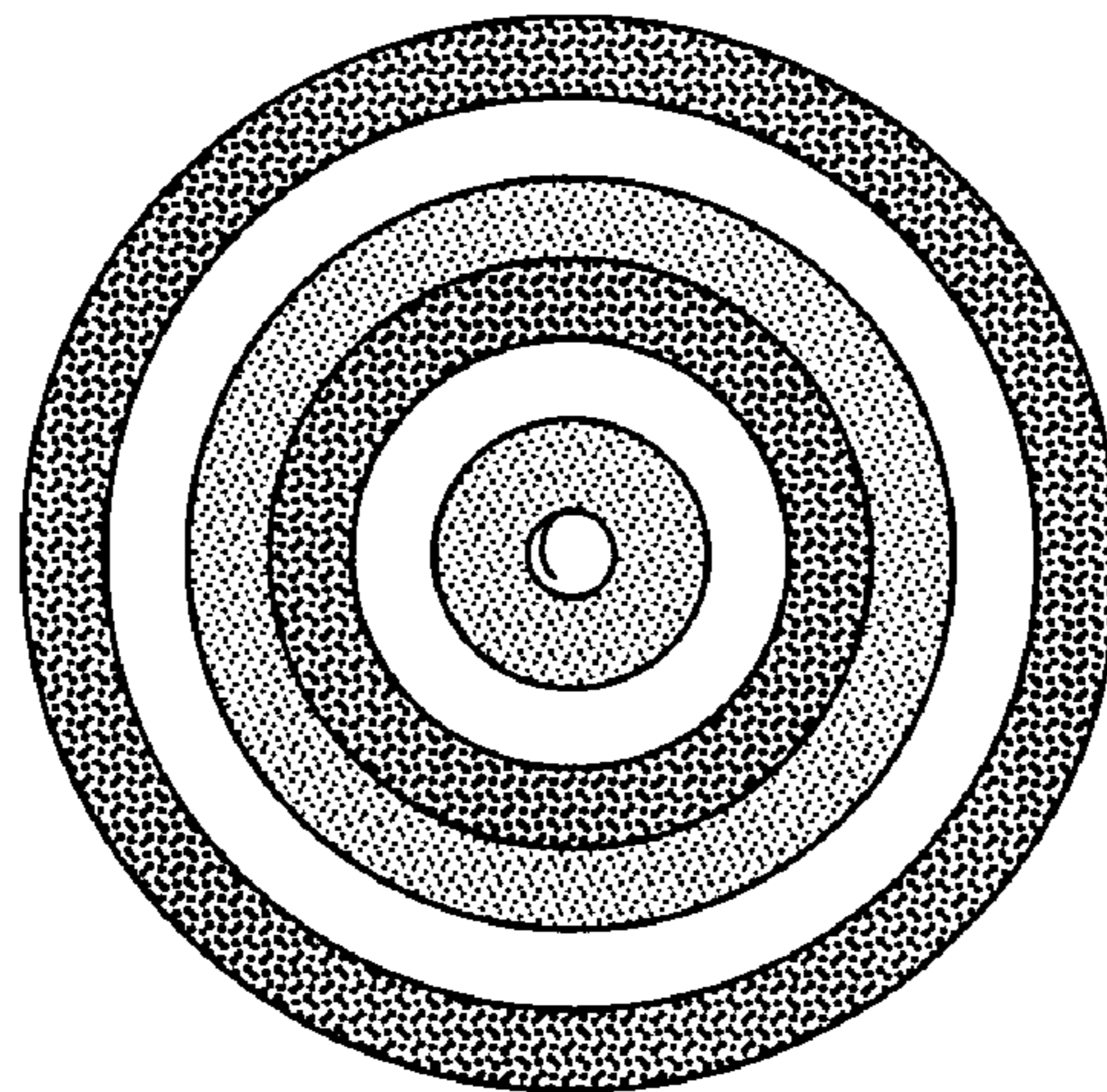


FIG. 10

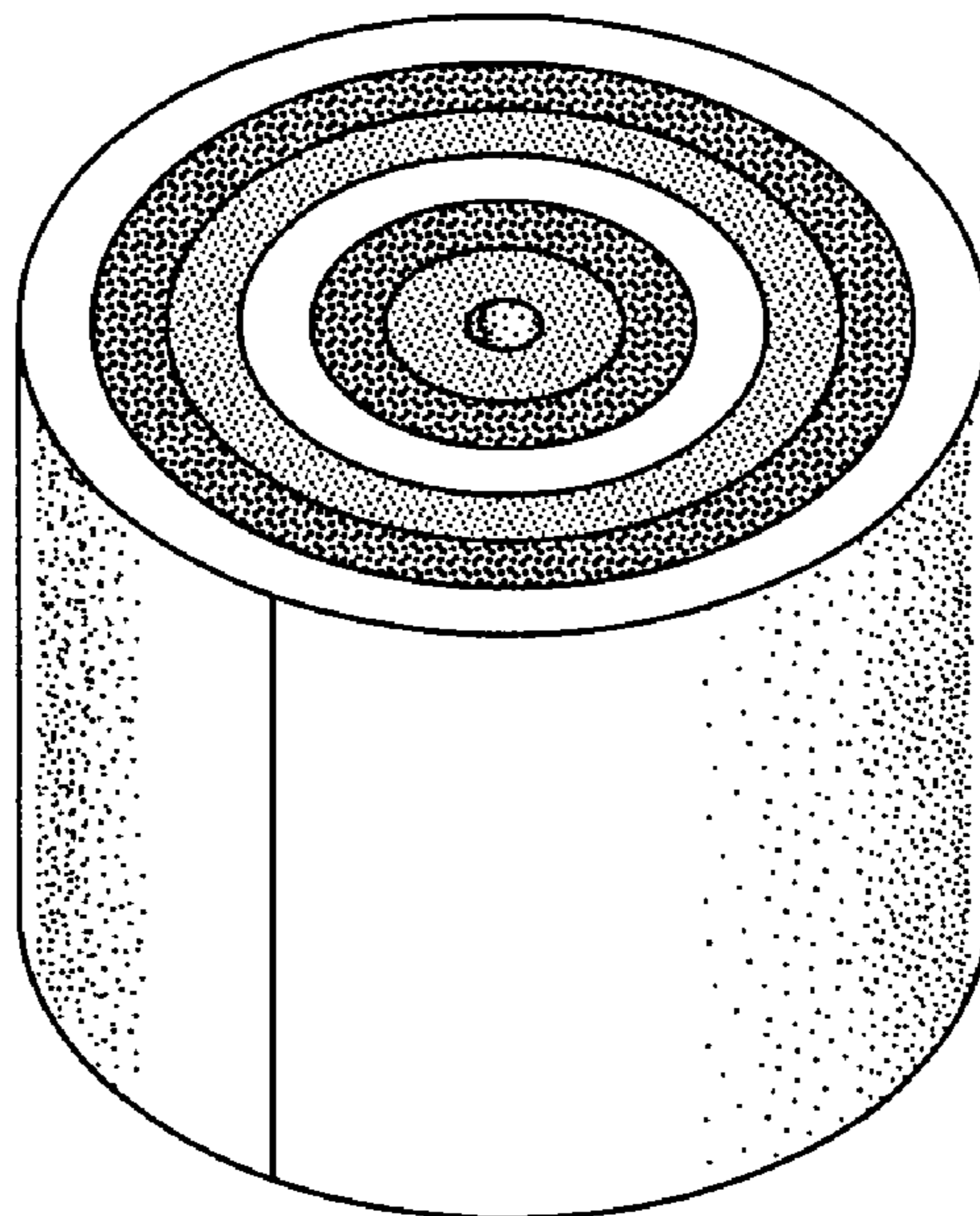


FIG. 11

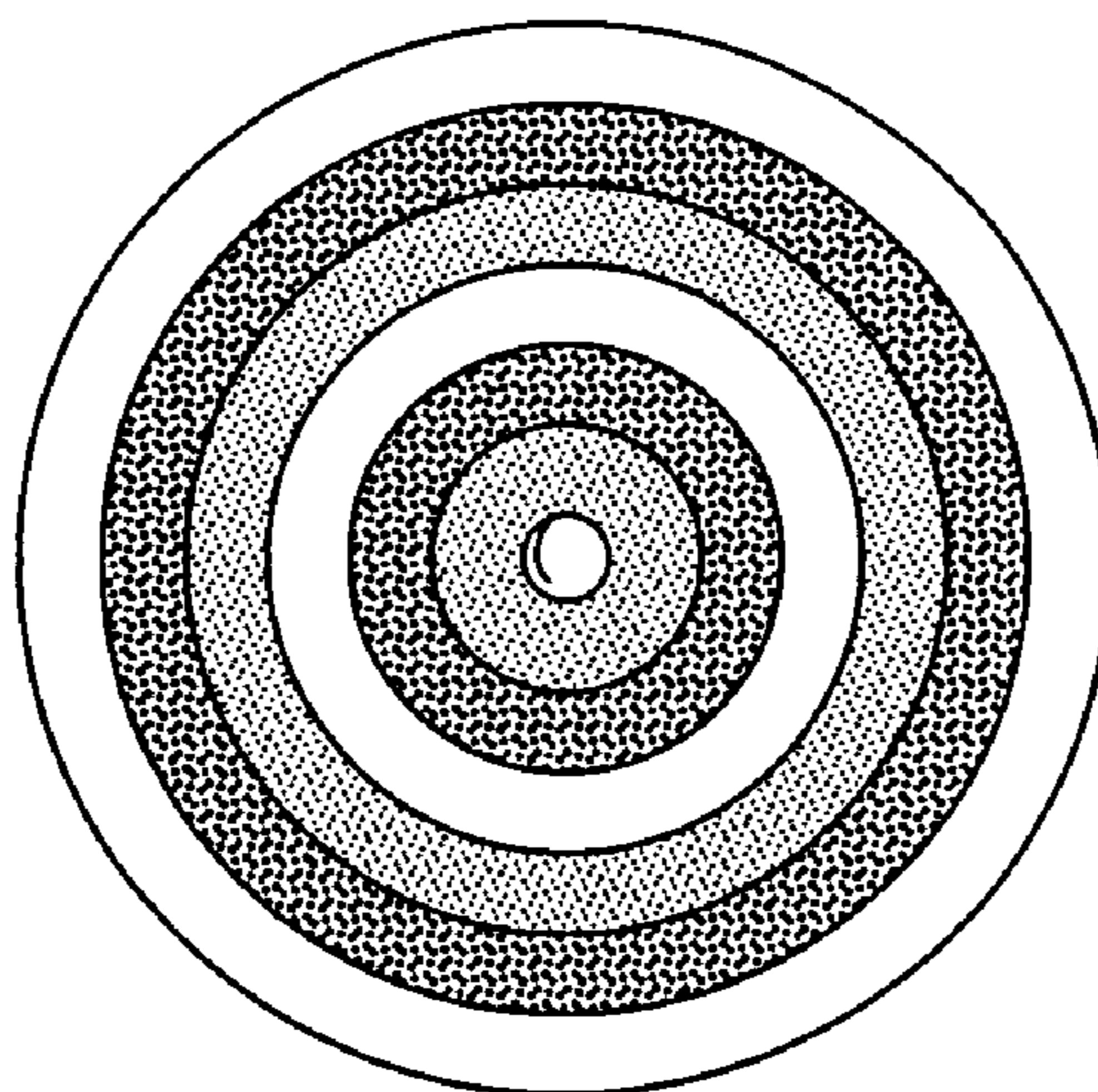


FIG. 12