



US00D599552S

(12) **United States Design Patent**  
**Cooney et al.**

(10) **Patent No.:** **US D599,552 S**  
(45) **Date of Patent:** **\*\* Sep. 8, 2009**

(54) **STAIR ORGANIZER**

- (75) Inventors: **Cathy Cooney**, Falmouth, ME (US);  
**David McClees**, Falmouth, ME (US)
- (73) Assignee: **Talus Corporation**, Portland, OR (US)
- (\*\*) Term: **14 Years**
- (21) Appl. No.: **29/310,139**
- (22) Filed: **Jul. 28, 2008**

- (51) **LOC (9) Cl.** ..... **03-01**
- (52) **U.S. Cl.** ..... **D3/313**
- (58) **Field of Classification Search** ..... D3/20,  
D3/201-202, 203.1, 203.3, 205-206, 273,  
D3/276, 304-315; D6/475-476, 525, 449,  
D6/553, 567; D19/75, 77, 86, 90, 92, 100;  
206/203, 214, 215, 822, 307.1, 100, 915,  
206/406, 503, 506, 507, 518, 540, 557, 519,  
206/676, 224, 371; D12/425; D9/424-425;  
211/69.1-69.9, 88.01, 42, 45, 46, 10-11,  
211/50

See application file for complete search history.

(56) **References Cited**

**U.S. PATENT DOCUMENTS**

D261,583 S *	11/1981	Labasan	.....	D6/476
5,938,057 A	8/1999	Cramer et al.		
6,227,268 B1	5/2001	Lefever et al.		
D464,516 S *	10/2002	Snell	.....	D6/566
D524,052 S *	7/2006	Schley	.....	D3/315
D525,032 S *	7/2006	Jones	.....	D3/315
7,090,399 B2	8/2006	Rohrbach		
2006/0186119 A1	8/2006	Zheng		

**OTHER PUBLICATIONS**

- <http://www.theholdingcompany.co.uk/ProductDetail.asp?StockCode=BAS011>.
- <http://problemsolvers.com/product.asp?pcode=33&crs=35&ref=product>.
- [http://www.basketcreationsandcandles.com/organizer2\\_baskets.htm](http://www.basketcreationsandcandles.com/organizer2_baskets.htm).
- <http://www.organize.com/stepbasket.html>.
- <http://www.stepbaskets.com>.
- <http://www.colorfulimages.com/474996.html>.

\* cited by examiner

*Primary Examiner*—T. Chase Nelson

*Assistant Examiner*—Eric L Goodman

(74) *Attorney, Agent, or Firm*—Ober/ Kaler; Royal W. Craig

(57) **CLAIM**

The ornamental design for a stair organizer, as shown and described.

**DESCRIPTION**

FIG. 1 is a perspective view of a stair organizer according to our new design.

FIG. 2 is a right side view of the stair organizer as in FIG. 1.

FIG. 3 is a front view of the stair organizer as in FIGS. 1-2.

FIG. 4 is a rear view of the stair organizer as in FIGS. 1-3.

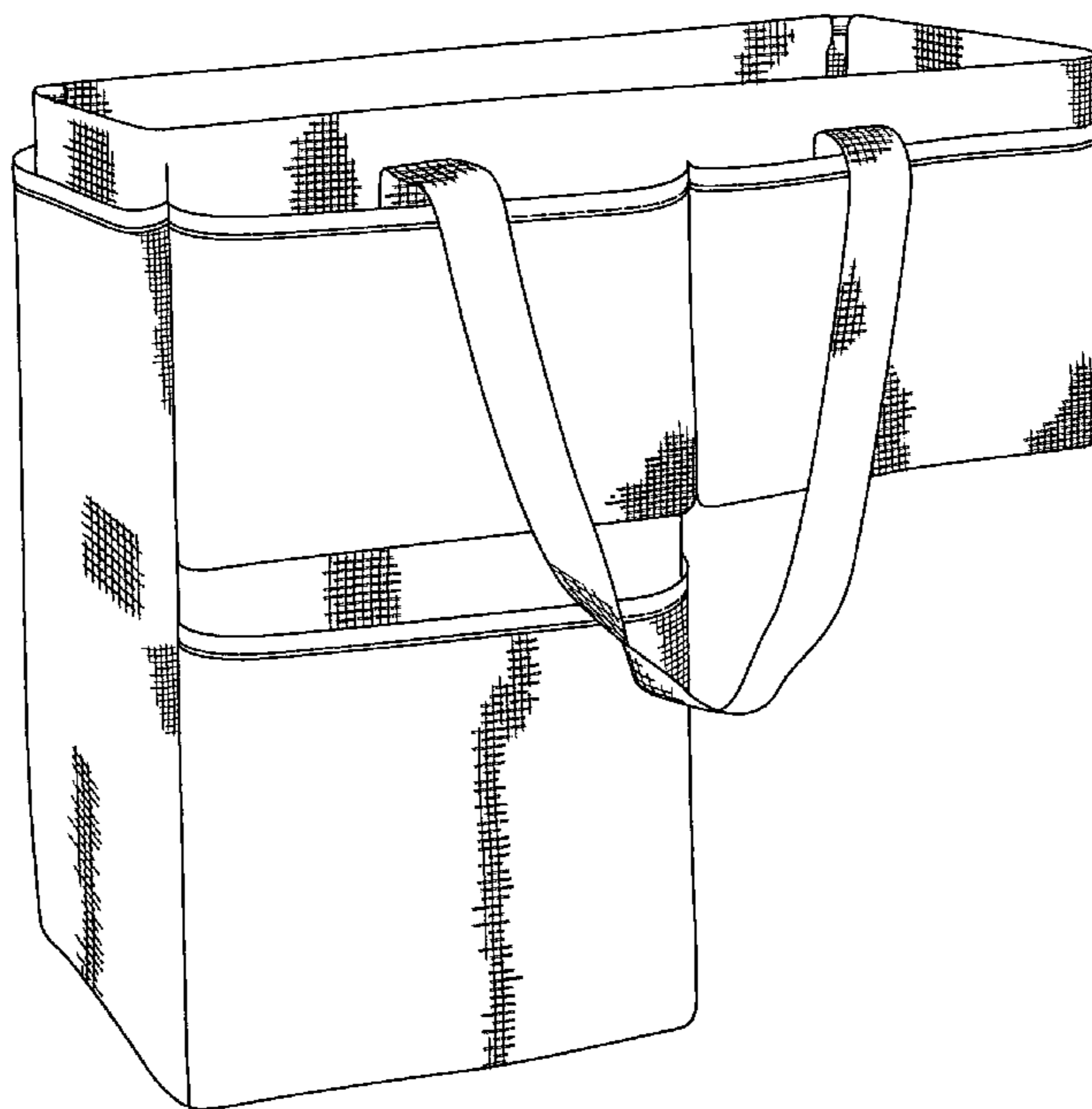
FIG. 5 is a top view of the stair organizer as in FIGS. 1-4; and,

FIG. 6 is a bottom view of the stair organizer as in FIGS. 1-5.

The features shown in broken lines in the Figures form no part of the claimed design.

The design of the present invention and as shown in FIGS. 1-6 is an ornamental stair organizer.

**1 Claim, 5 Drawing Sheets**



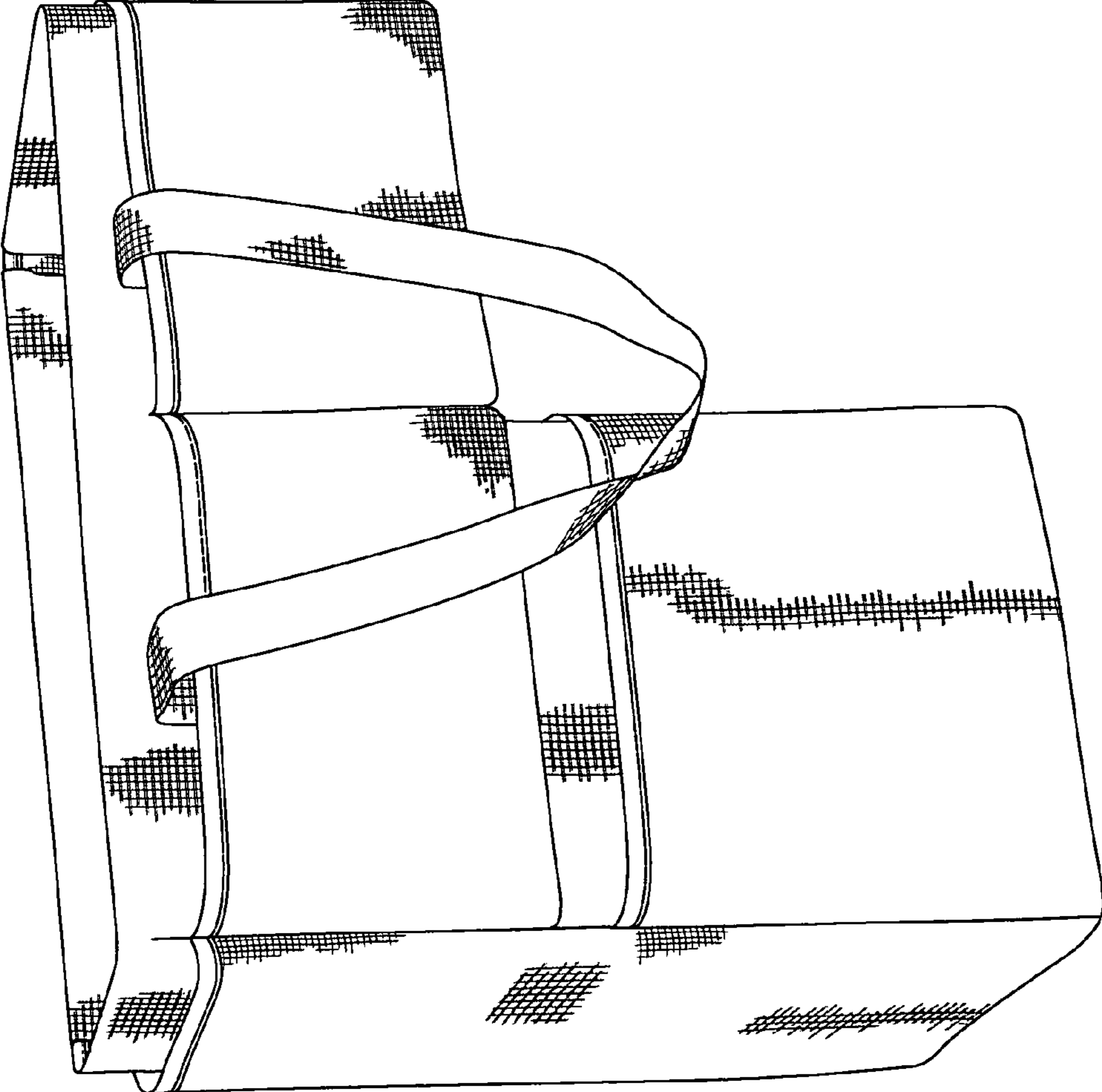


Fig. 1

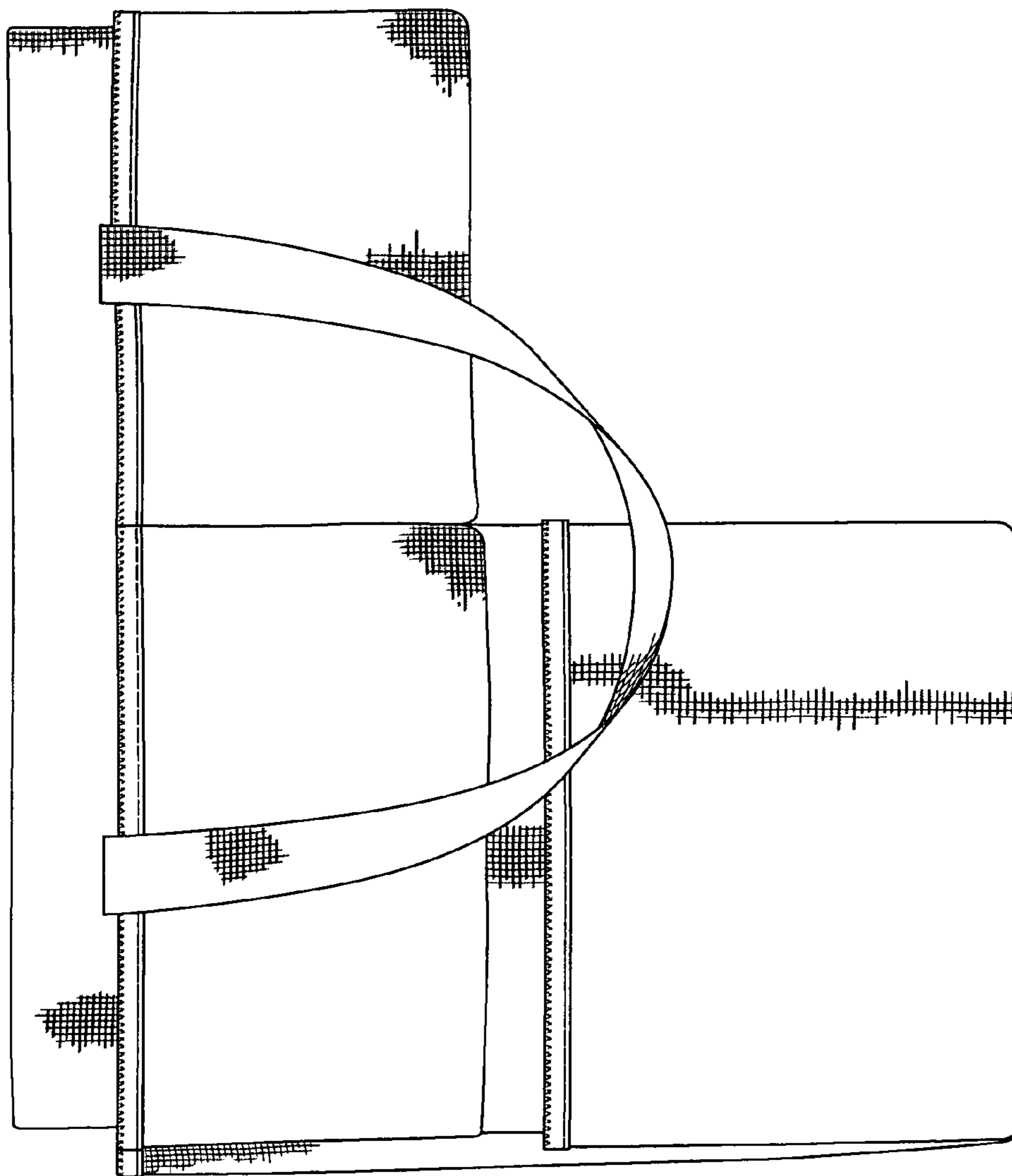


Fig. 2

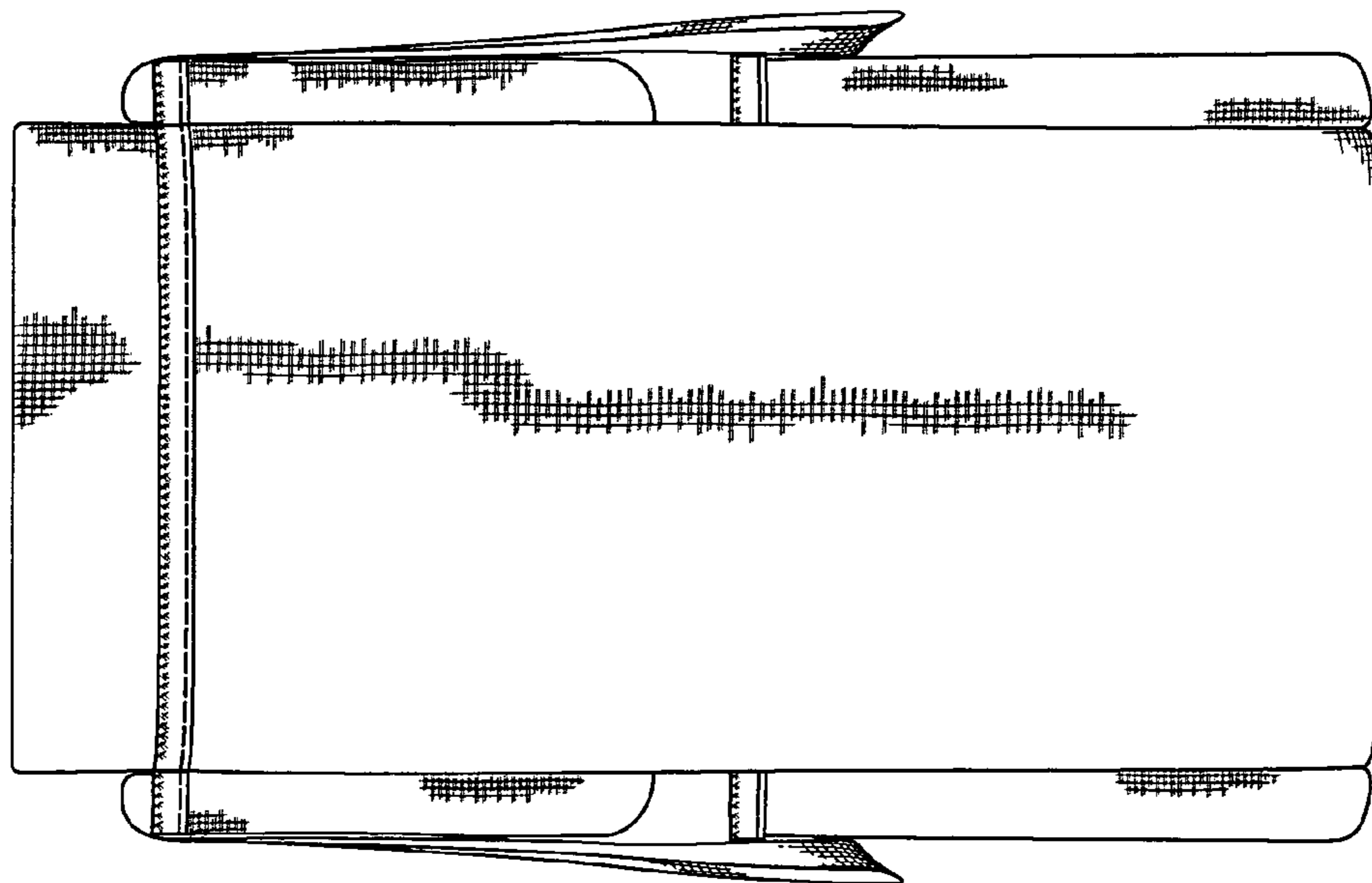


Fig. 4

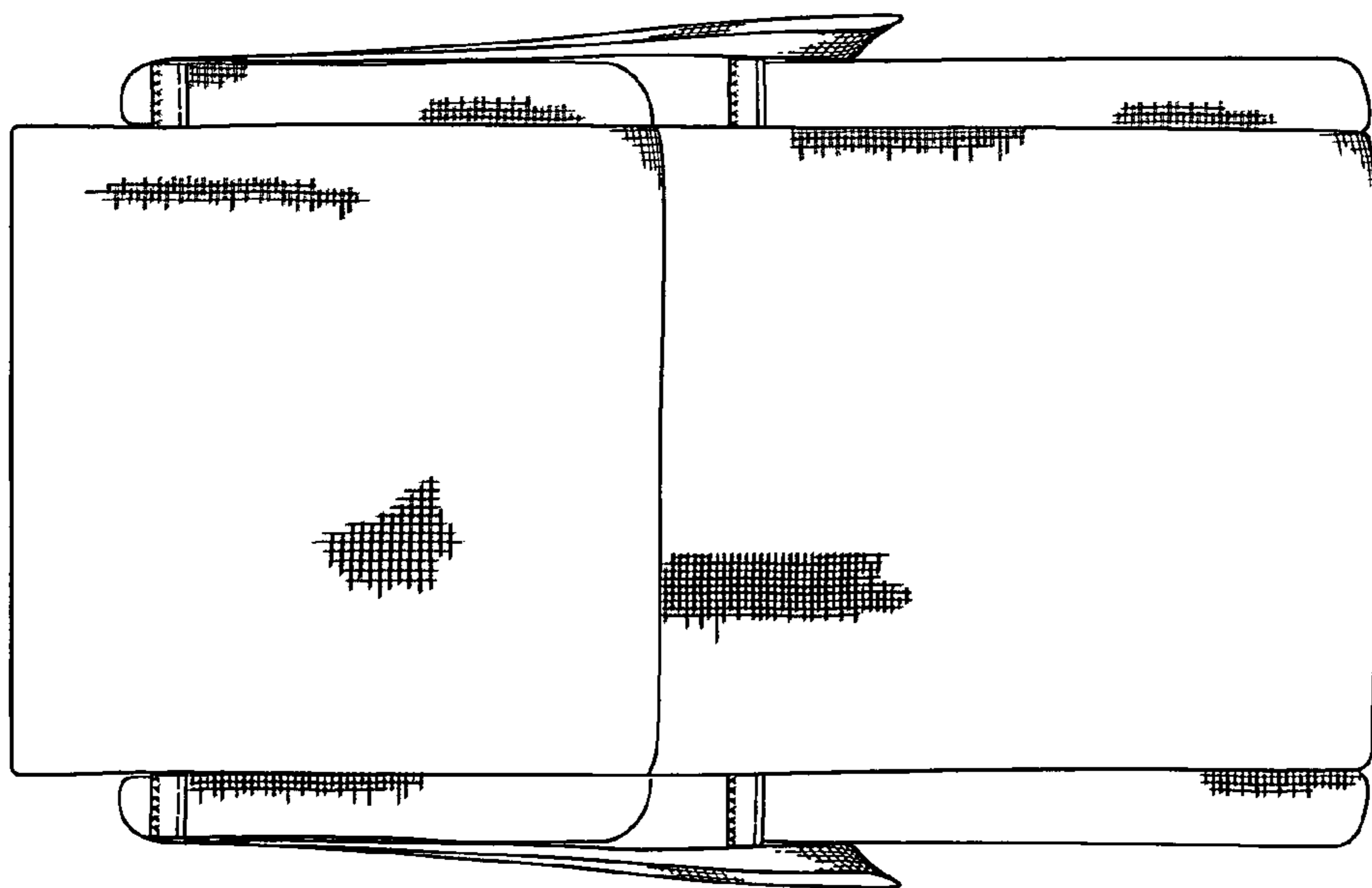


Fig. 3

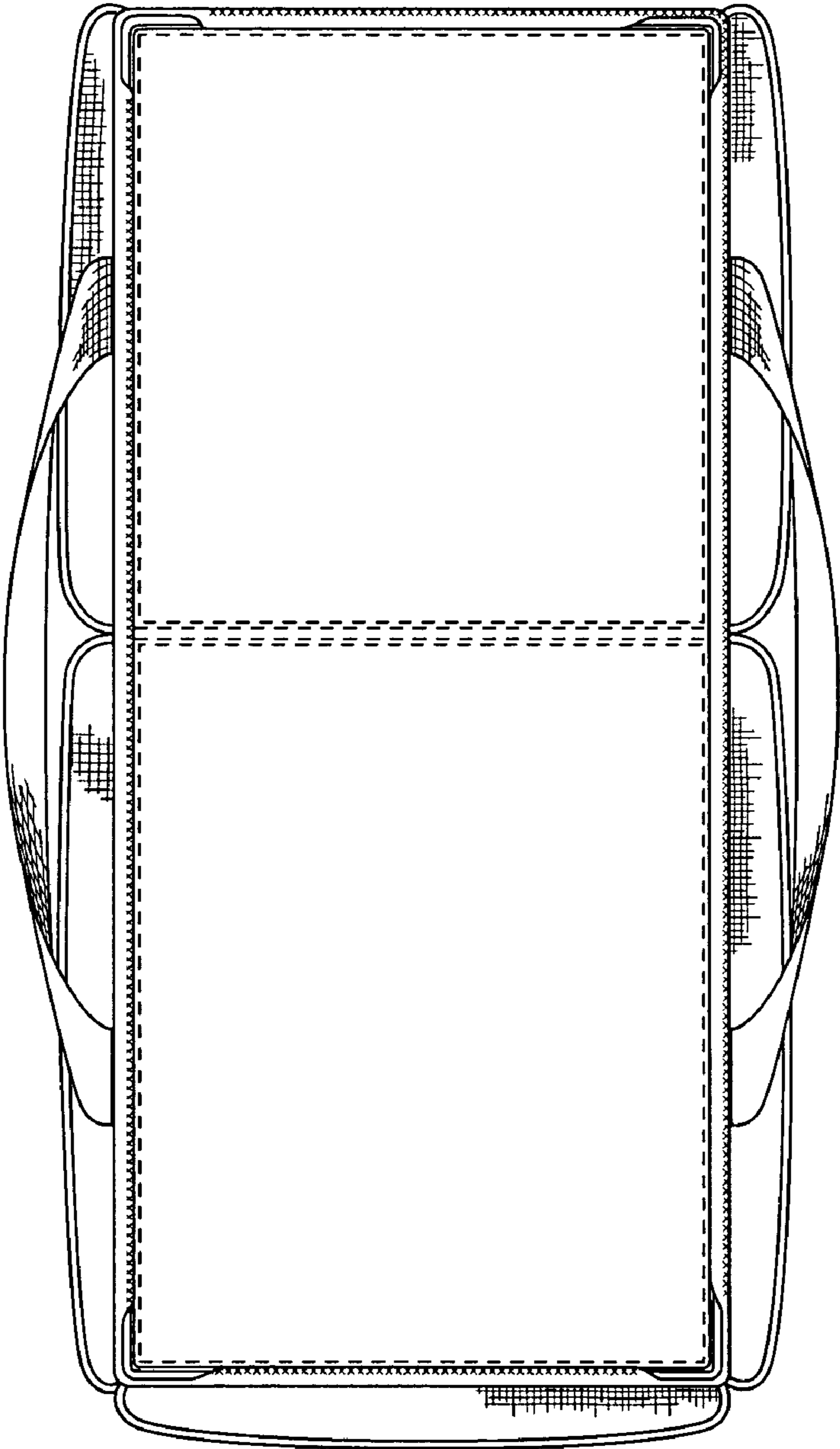


Fig. 5

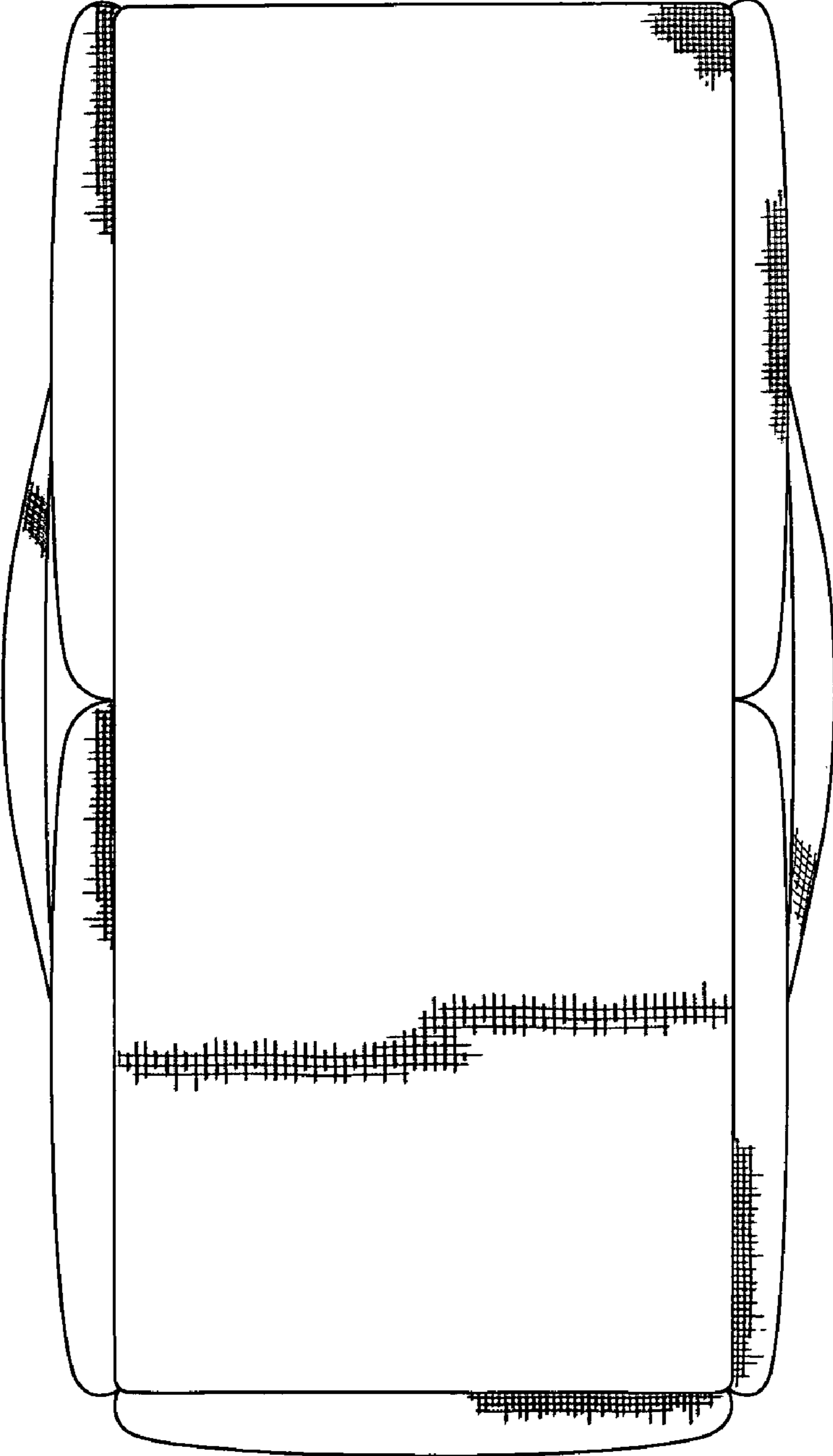


Fig. 6